



US00D739795S

(12) **United States Design Patent**
Juskowich et al.

(10) **Patent No.:** **US D739,795 S**
(45) **Date of Patent:** **** Sep. 29, 2015**

(54) **STROLLER WHEEL**

- (71) Applicant: **Graco Children’s Products Inc.**,
Atlanta, GA (US)
- (72) Inventors: **Jeff Juskowich**, Mableton, GA (US);
Stephen Jones, Sandy Springs, GA
(US); **Todd James Huthmaker**,
Alpharetta, GA (US)
- (73) Assignee: **Graco Children’s Products, Inc.**,
Atlanta, GA (US)
- (**) Term: **14 Years**
- (21) Appl. No.: **29/491,959**
- (22) Filed: **May 27, 2014**

Related U.S. Application Data

- (63) Continuation-in-part of application No. 29/488,880,
filed on Apr. 24, 2014.
- (51) **LOC (10) Cl.** **12-12**
- (52) **U.S. Cl.**
USPC **D12/133; D12/209**
- (58) **Field of Classification Search**
USPC D12/129–133, 204, 207, 208, 209, 211
CPC B62B 7/00–7/04; B62B 9/00–9/28
See application file for complete search history.

(56) **References Cited**

U.S. PATENT DOCUMENTS

D456,319 S *	4/2002	Yeh	D12/129
D477,261 S *	7/2003	Lin	D12/209
D524,196 S *	7/2006	You	D12/133
D558,099 S *	12/2007	Yang	D12/129
D583,300 S *	12/2008	Rancati	D12/501
D596,996 S *	7/2009	Yang	D12/129
D616,340 S *	5/2010	Wu	D12/129

(Continued)

OTHER PUBLICATIONS

Graco, “Spree Classic Connect Travel System,” <http://www.gracobaby.com/Products/pages/spree-classic-connect-travel-system-priscilla.aspx>, retrieval date: Jul. 16, 2014, 5 pages.

(Continued)

Primary Examiner — Ian Simmons
Assistant Examiner — Charles Hanson

(57) **CLAIM**

The ornamental design for a “stroller wheel,” as shown and described.

DESCRIPTION

FIG. 1 is a front and right side perspective view of a stroller wheel, showing our new design, according to one embodiment;

FIG. 2 is a rear and left side perspective view of the stroller wheel shown in FIG. 1;

FIG. 3 is a front elevational view of the stroller wheel shown in FIG. 1;

FIG. 4 is a rear elevational view of the stroller wheel shown in FIG. 1;

FIG. 5 is a top plan view of the stroller wheel shown in FIG. 1;

FIG. 6 is a bottom plan view of stroller wheel shown in FIG. 1;

FIG. 7 is a right elevational view of the stroller wheel shown in FIG. 1;

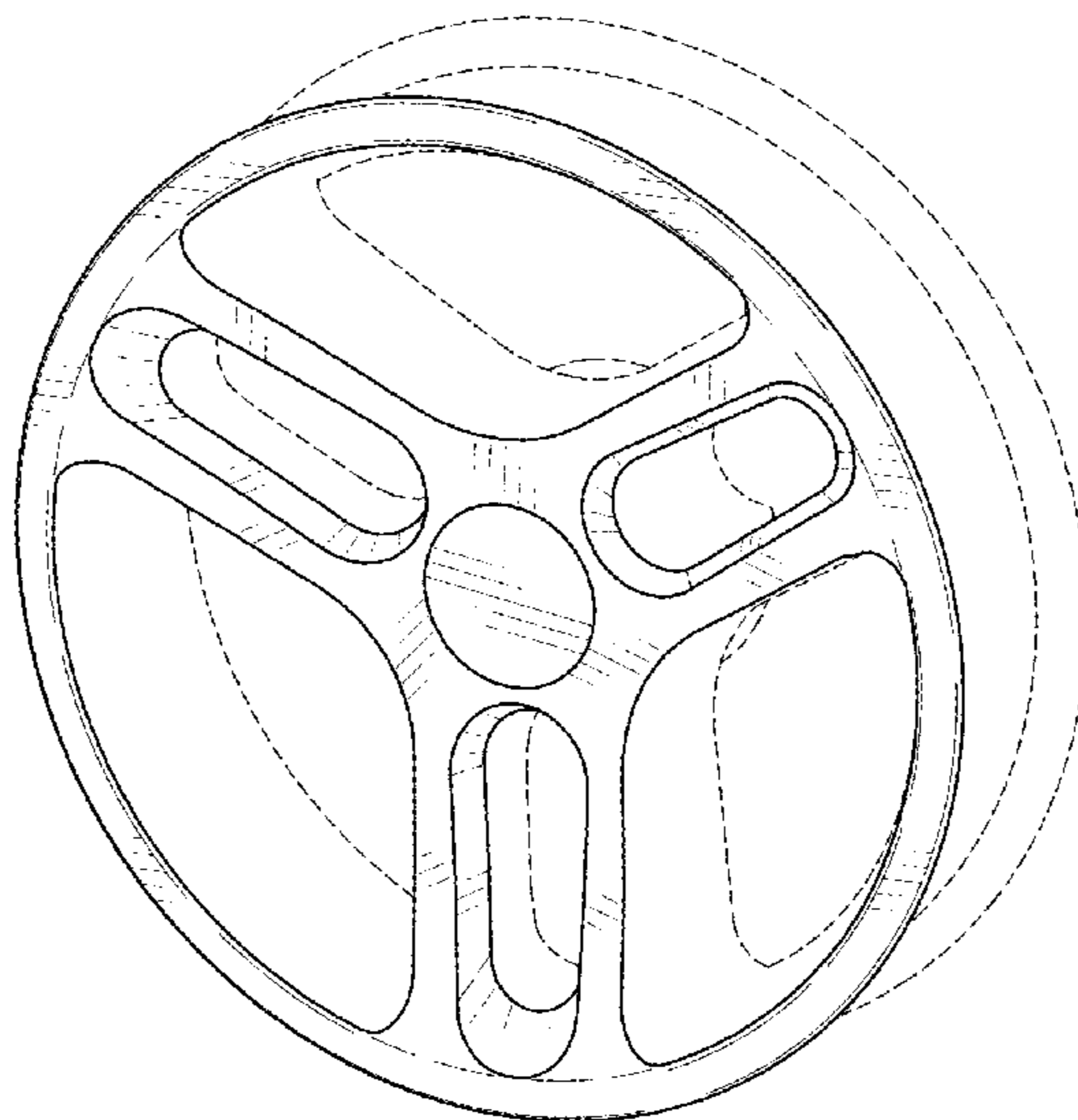
FIG. 8 is a left elevational view of the stroller wheel shown in FIG. 1;

FIG. 9 is a second front elevational view of the stroller wheel shown in FIG. 1; and,

FIG. 10 is a cross-sectional view of the stroller wheel taken along line 10-10 of FIG. 9.

The subject matter shown in dashed lines is for illustrative purposes and forms no part of the claimed design.

1 Claim, 10 Drawing Sheets



(56)

References Cited

U.S. PATENT DOCUMENTS

D623,096	S	*	9/2010	Gower et al.	D12/129
D667,349	S	*	9/2012	Jurkiewicz et al.	D12/133
D677,604	S	*	3/2013	Ide et al.	D12/129
D699,633	S	*	2/2014	Kobayashi et al.	D12/129
D721,015	S	*	1/2015	Bassan	D12/129
D721,018	S	*	1/2015	Jurkiewicz et al.	D12/133

OTHER PUBLICATIONS

Graco, "LiteRider Classic Connect Stroller," <http://www.gracobaby.com/Products/pages/literider-classic-connect-stroller-barlow.aspx>, retrieval date: Jul. 16, 2014, 5 pages.

Graco, "LiteRider Classic Connect Travel System," <http://www.gracobaby.com/Products/pages/literider-classic-connect-travel-system-gecko.aspx>, retrieval date: Jul. 16, 2014, 4 pages.

Graco, "FastAction Fold Classic Connect Travel System," <http://www.gracobaby.com/Products/pages/fastaction-fold-classic-connect-travel-system-metropolis.aspx>, retrieval date: Jul. 16, 2014, 5 pages.

Graco, "FastAction Fold Sport Click Connect Travel System," <http://www.gracobaby.com/Products/pages/fastaction-fold-sport-click-connect-travel-system-pierce.aspx>, retrieval date: Jul. 16, 2014, 4 pages.

Graco, "Dynamo Lite Classic Connect Travel System," <http://www.gracobaby.com/Products/pages/dynamo-lite-classic-connect-travel-system-hudson.aspx>, retrieval date: Jul. 16, 2014, 5 pages.

Graco, "Alano Classic Connect Travel System," <http://www.gracobaby.com/Products/pages/alano-classic-connect-travel-system-dakota.aspx>, retrieval date: Jul. 16, 2014, 5 pages.

Graco, "Stylus Click Connect Travel System," <http://www.gracobaby.com/Products/pages/stylus-click-connect-travel-system-kendra.aspx>, retrieval date: Jul. 16, 2014, 4 pages.

Graco, "UrbanLite Click Connect Travel System," <http://www.gracobaby.com/Products/pages/urbanlite-click-connect-travel-system-cascade.aspx>, retrieval date: Jul. 16, 2014, 3 pages.

Graco, "FastAction Fold Jogger Click Connect Stroller," <http://www.gracobaby.com/Products/pages/fastaction-fold-jogger-click-connect-stroller-gotham.aspx>, retrieval date: Jul. 16, 2014, 4 pages.

Graco, "Soho Click Connect Travel System," <http://www.gracobaby.com/Products/pages/soho-click-connect-travel-system-presley.aspx>, retrieval date: Jul. 16, 2014, 3 pages.

Graco, "Modes Click Connect Stroller," <http://www.gracobaby.com/Products/pages/modes-click-connect-stroller-onyx.aspx>, retrieval date: Jul. 16, 2014, 4 pages.

Design U.S. Appl. No. 29/488,880, filed Apr. 24, 2014, entitled "Stroller Wheel," Inventor: Juskowich et al.

* cited by examiner

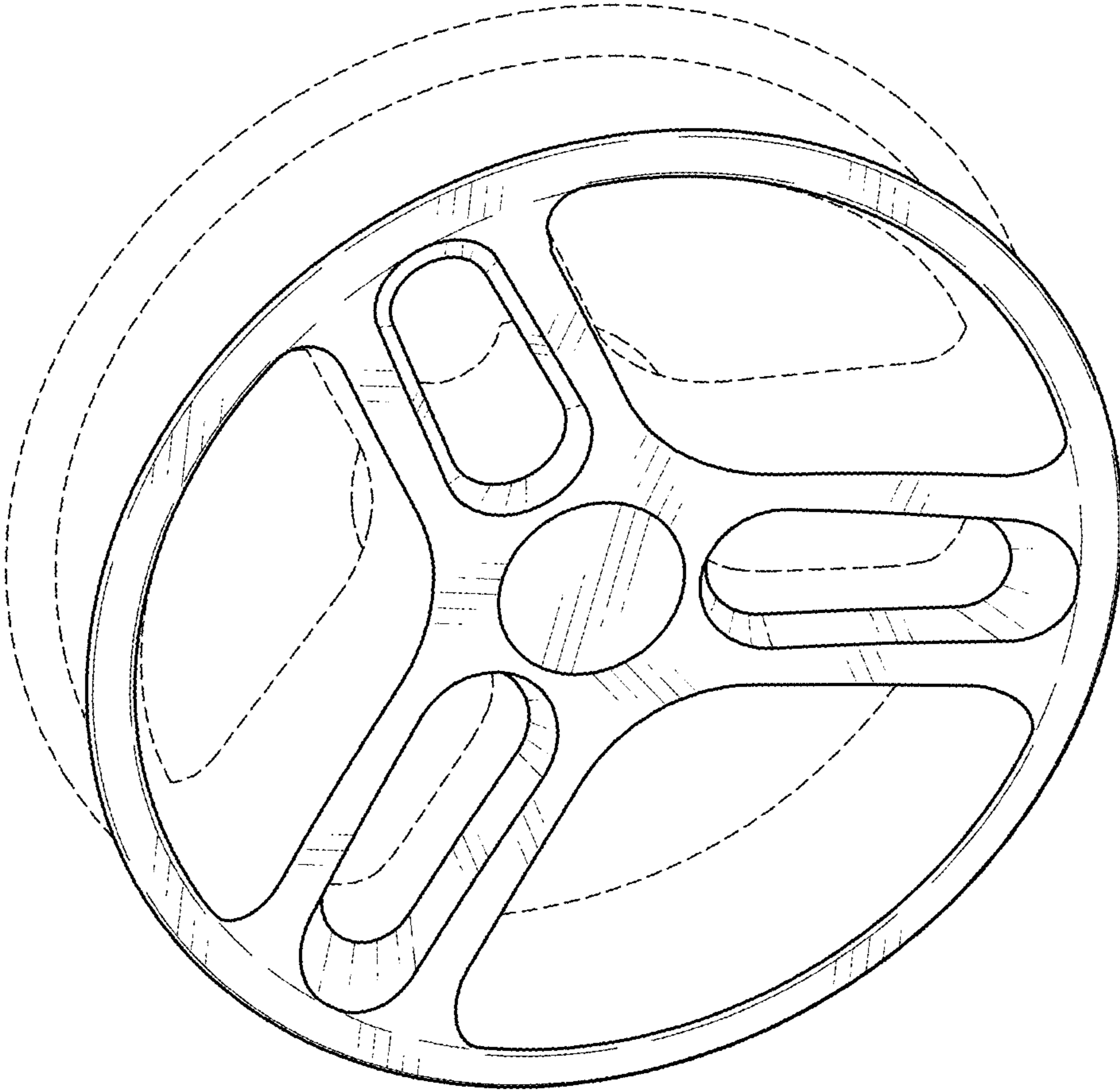


FIG. 1

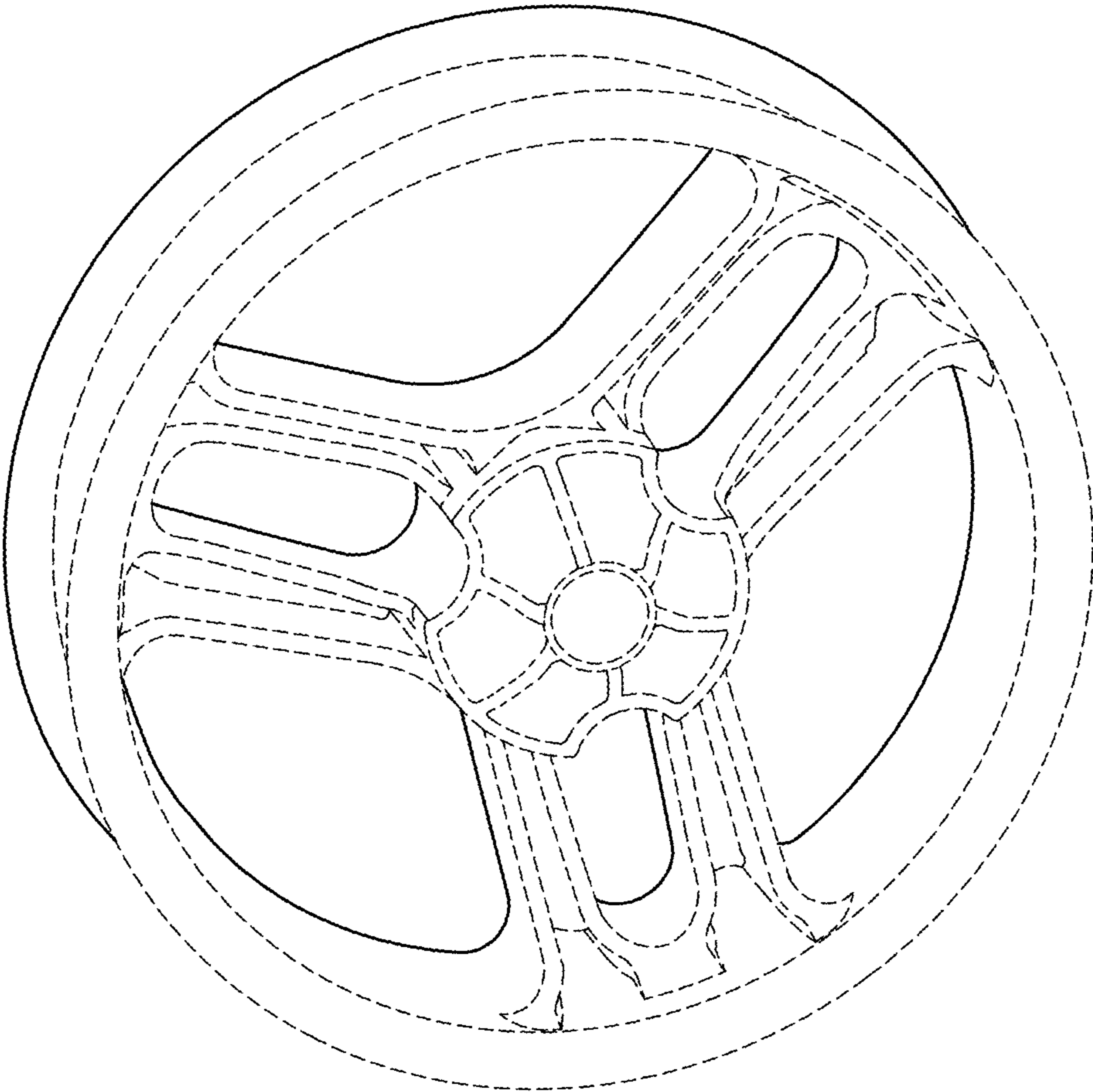


FIG. 2

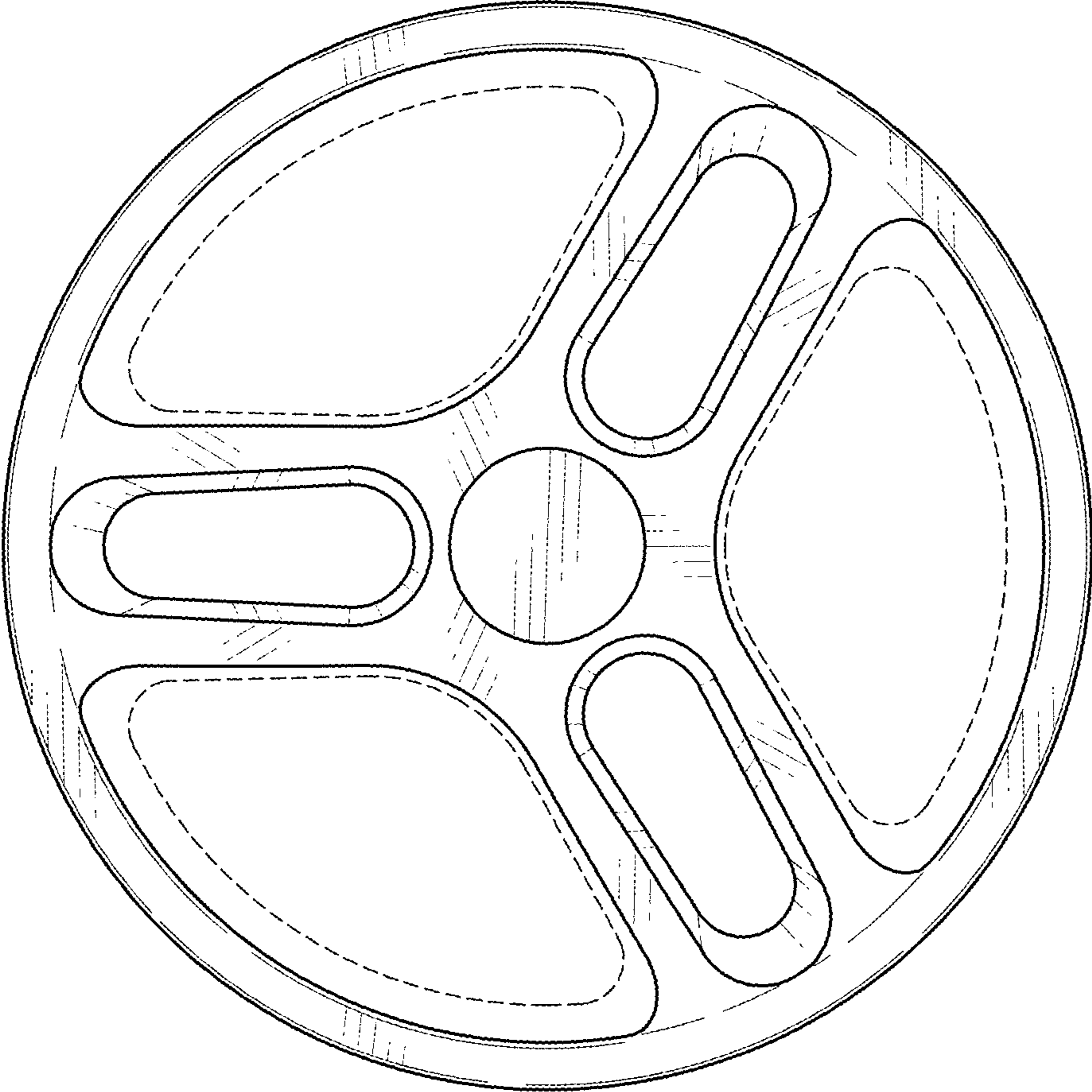


FIG. 3

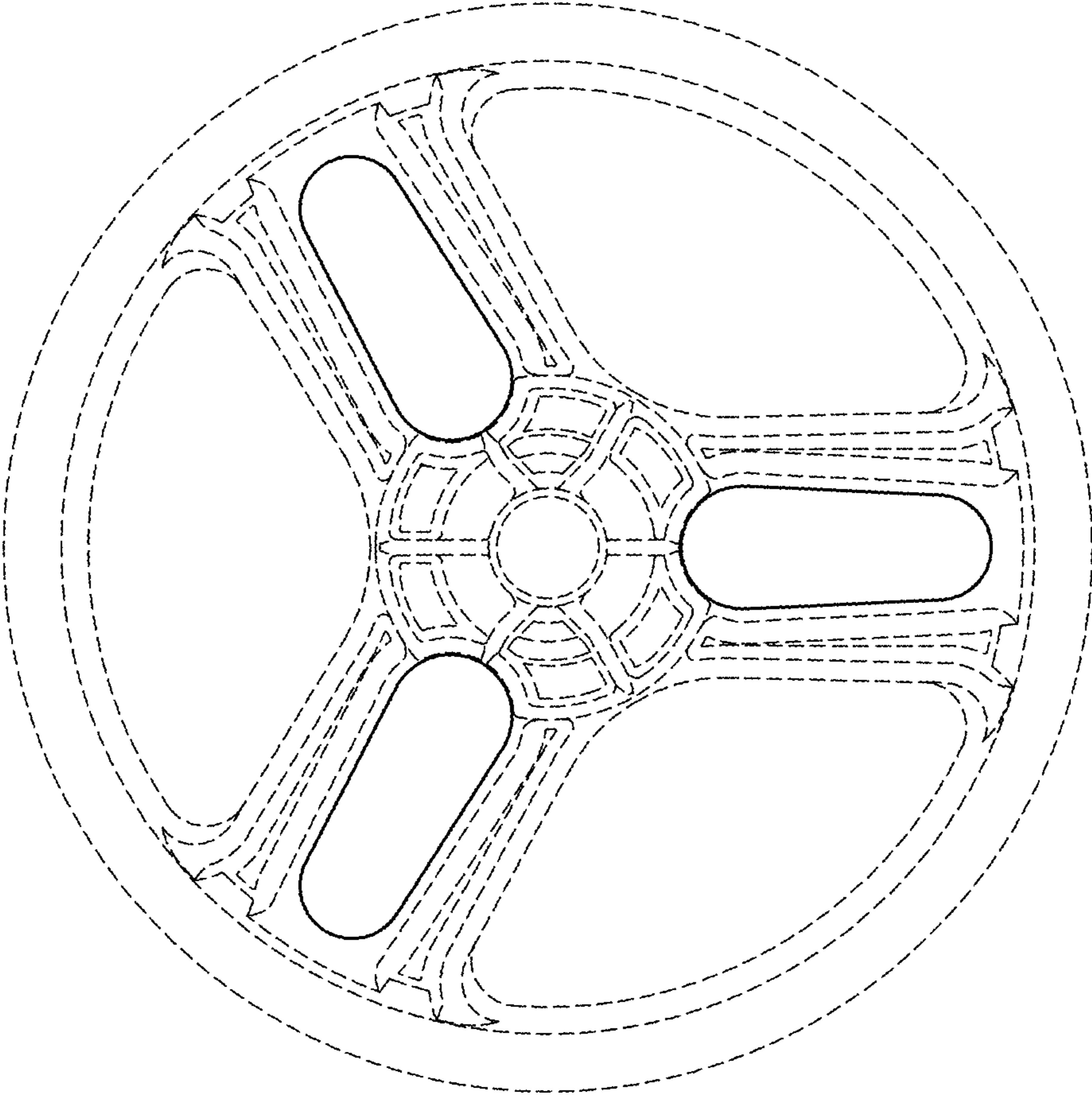


FIG. 4

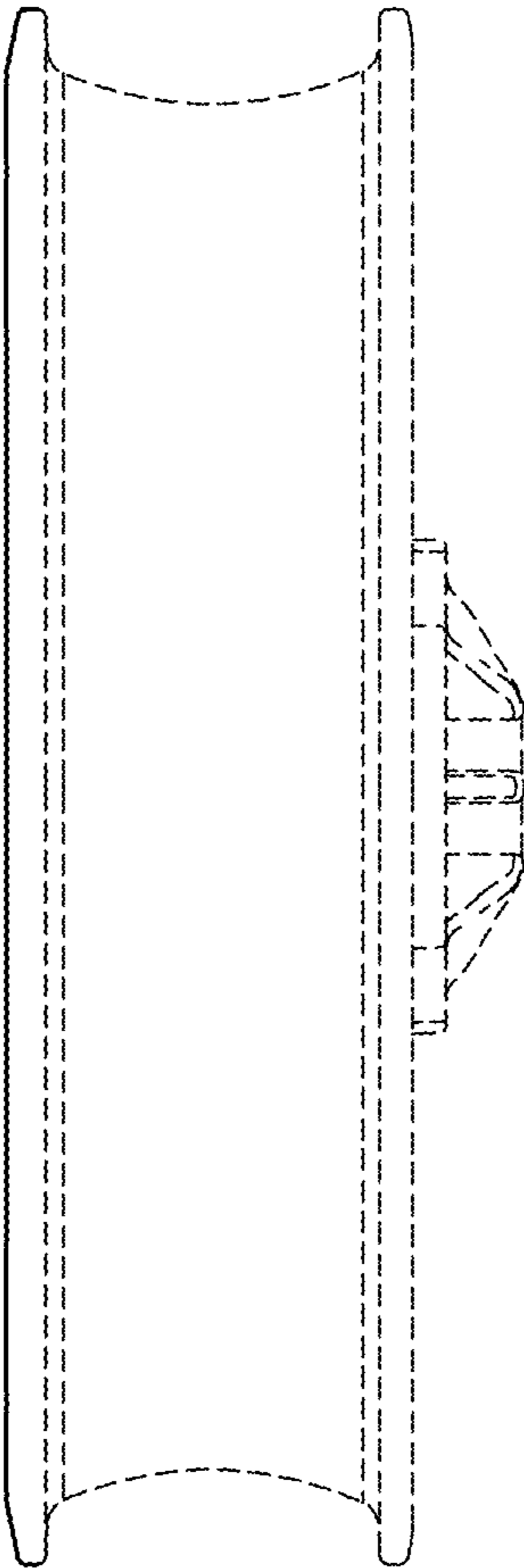


FIG. 5

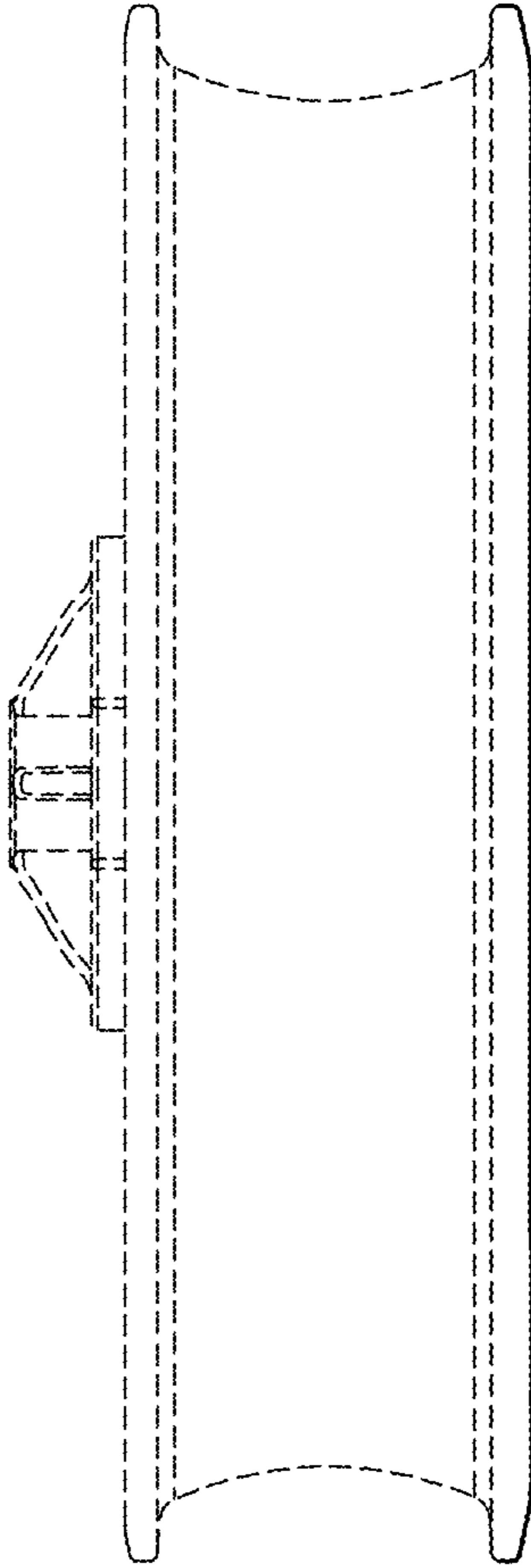


FIG. 6

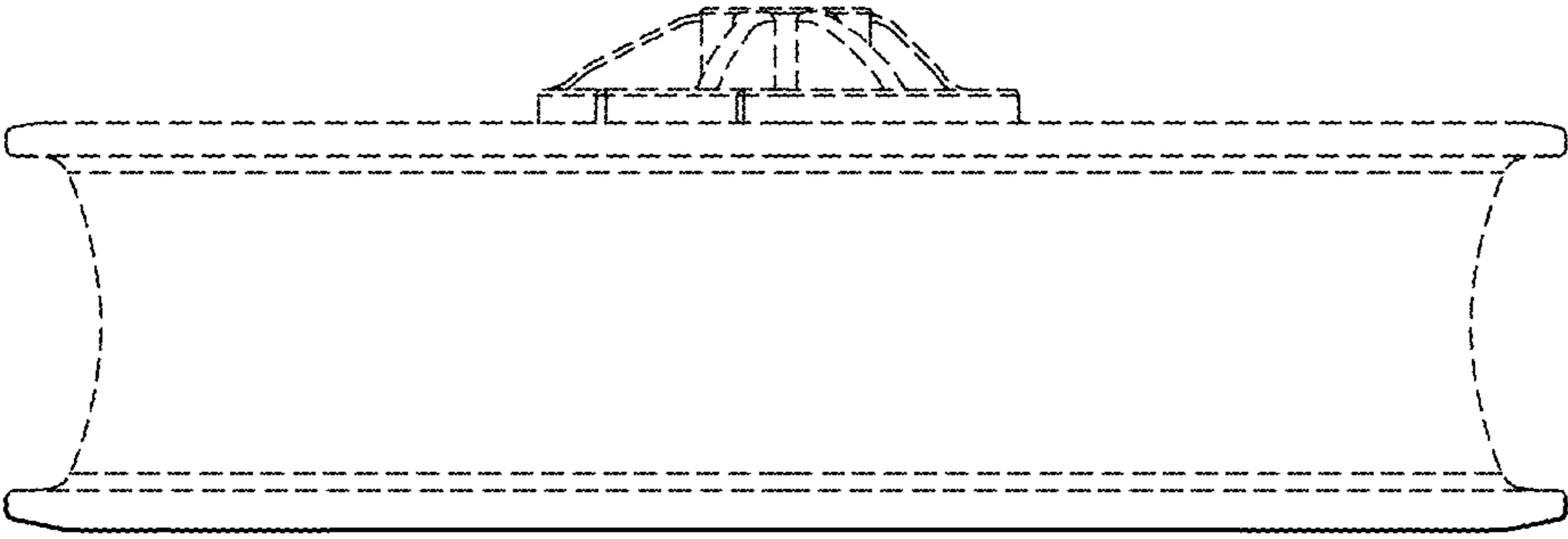


FIG. 7

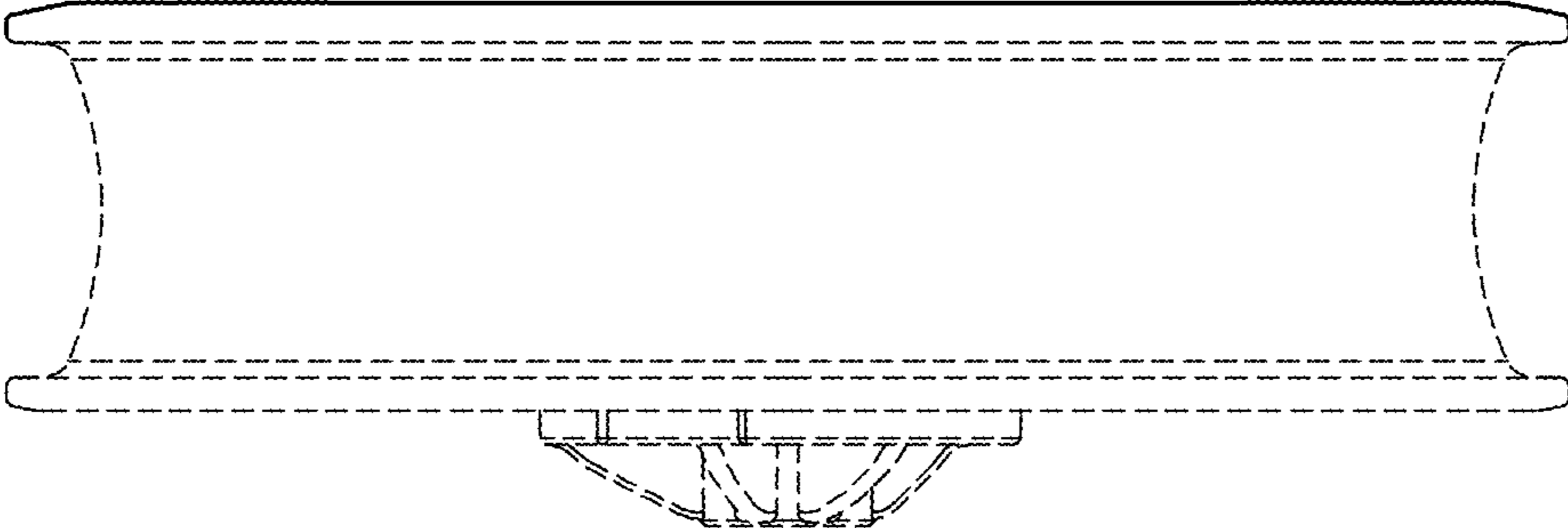


FIG. 8

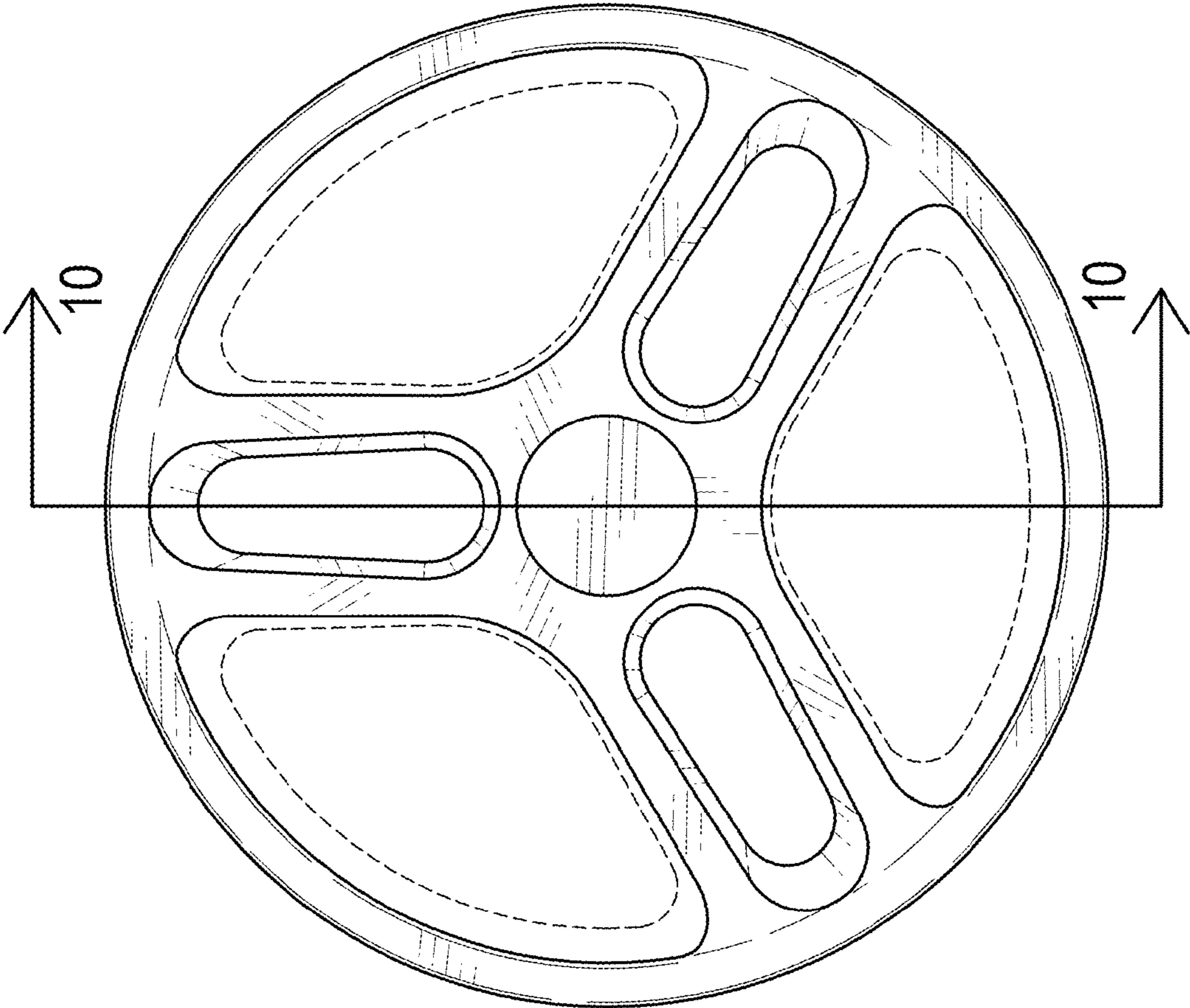


FIG. 9

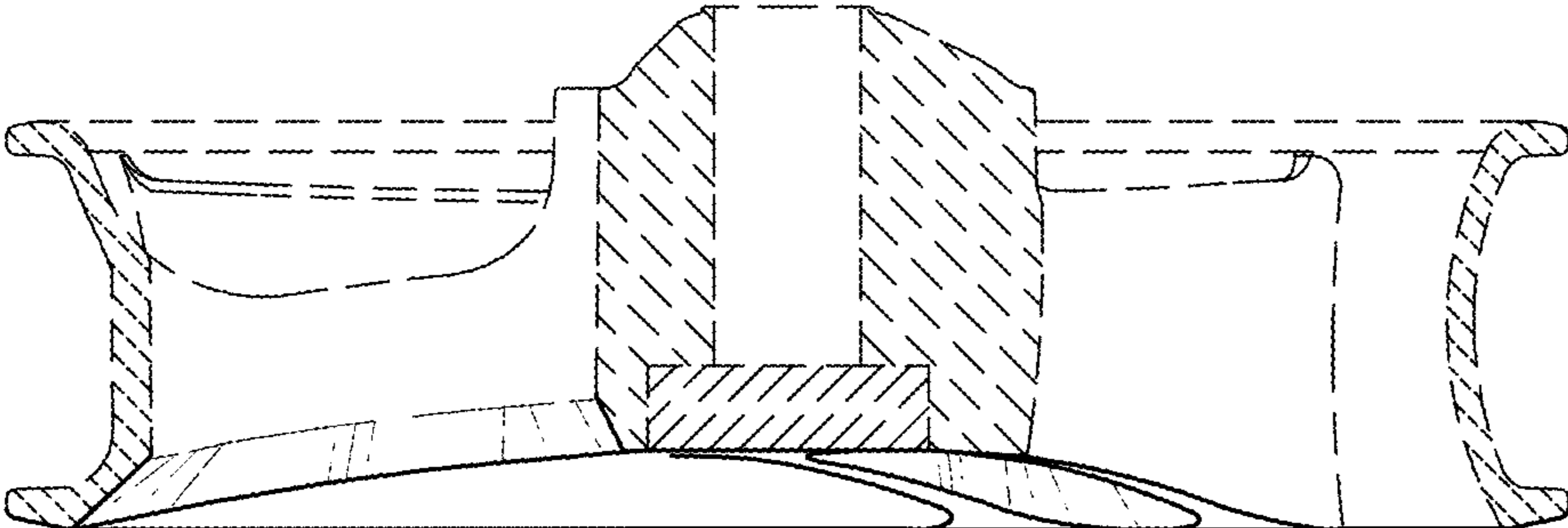


FIG. 10