



US00D739793S

(12) **United States Design Patent**
Oberg

(10) **Patent No.:** **US D739,793 S**

(45) **Date of Patent:** **** Sep. 29, 2015**

- (54) **ROTATING CYCLE REFLECTOR**
- (71) Applicant: **Anne Oberg**, Longmont, CO (US)
- (72) Inventor: **Anne Oberg**, Longmont, CO (US)
- (**) Term: **14 Years**
- (21) Appl. No.: **29/489,885**
- (22) Filed: **May 4, 2014**

5,092,809	A *	3/1992	Kessler	446/217
5,368,515	A *	11/1994	Mast	446/217
5,971,828	A *	10/1999	Lin	446/217
D437,894	S *	2/2001	Johann	D21/458
2003/0021101	A1 *	1/2003	Nelson et al.	362/35
2003/0021102	A1 *	1/2003	Nelson et al.	362/35
2006/0065803	A1 *	3/2006	Kahan	248/314
2013/0252507	A1 *	9/2013	Kessler	446/217

* cited by examiner

Primary Examiner — Philip S Hyder

Assistant Examiner — Darlington Ly

(74) *Attorney, Agent, or Firm* — Lee G. Meyer, Esq.; Meyer & Associates, LLC

Related U.S. Application Data

- (62) Division of application No. 29/448,808, filed on Mar. 13, 2013, now Pat. No. Des. 706,176.
- (51) **LOC (10) Cl.** **12-11**
- (52) **U.S. Cl.**
USPC **D12/114**
- (58) **Field of Classification Search**
USPC D12/114, 510, 458; 446/217, 219, 213,
446/418, 488, 404, 415; 362/35, 276, 96,
362/269, 272; 248/314
CPC A63H 33/40; F21Y 2101/02; F21W
2121/00; A47G 19/2227
See application file for complete search history.

(57) **CLAIM**

The ornamental design for a rotating cycle reflector, as shown and described.

DESCRIPTION

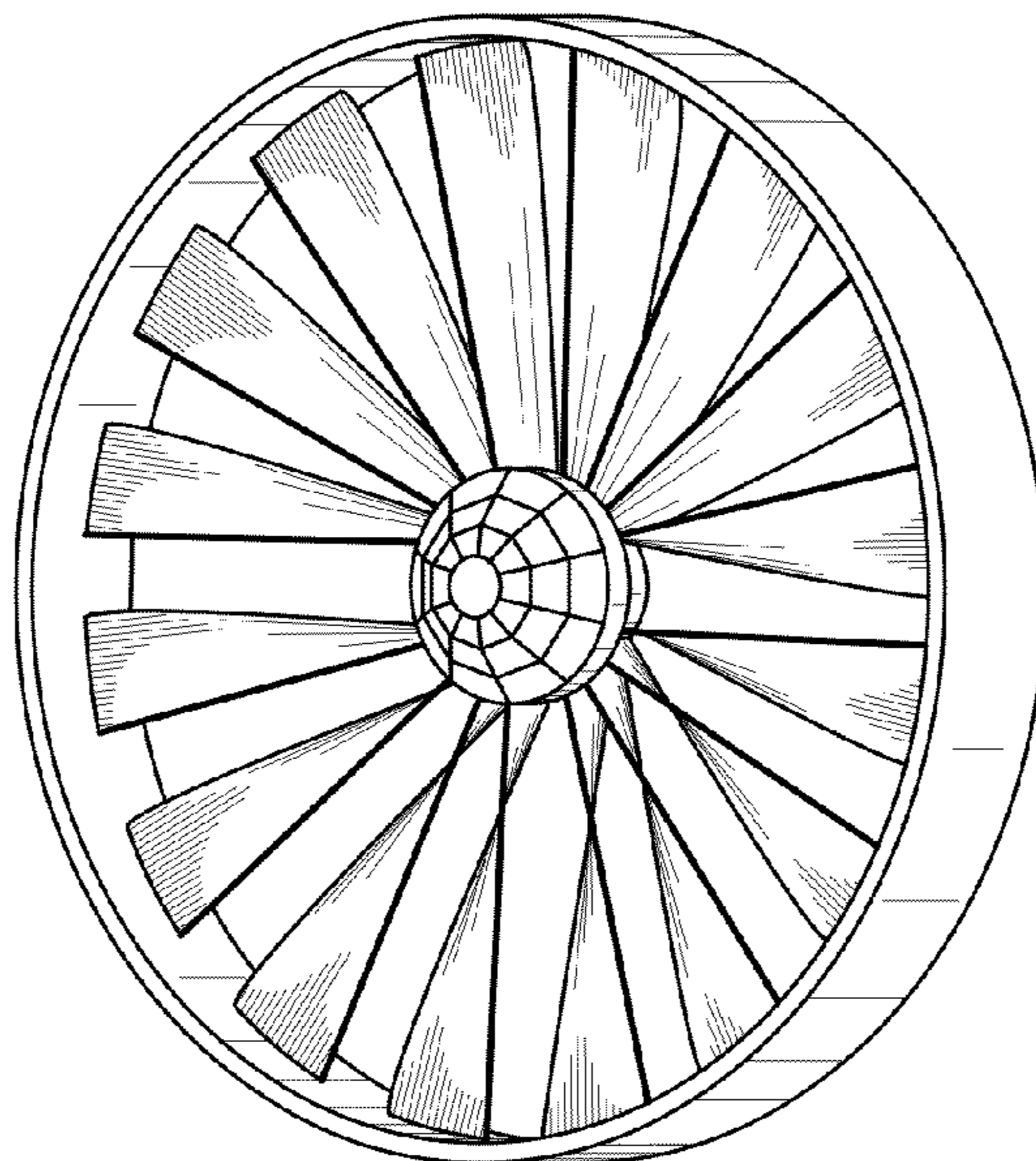
FIG. 1 is a perspective view of a rotating cycle reflector showing my new design;
 FIG. 2 is a front elevational view of the rotating cycle reflector as shown in FIG. 1;
 FIG. 3 is a rear elevational view of the rotating cycle reflector as shown in FIG. 1;
 FIG. 4 is a left elevational view of the rotating cycle reflector as shown in FIG. 1 where the right elevational view is a minor image of FIG. 4; and,
 FIG. 5 is a top plan view of the rotating cycle reflector as shown in FIG. 1 where the bottom plan view is a mirror image of FIG. 5.

(56) **References Cited**

U.S. PATENT DOCUMENTS

2,510,336	A *	6/1950	Donahue	446/217
3,475,850	A *	11/1969	Lee	446/217
4,758,197	A *	7/1988	Lee	446/213
4,767,373	A *	8/1988	Antonio	446/217
5,083,963	A *	1/1992	Lin	446/217

1 Claim, 1 Drawing Sheet



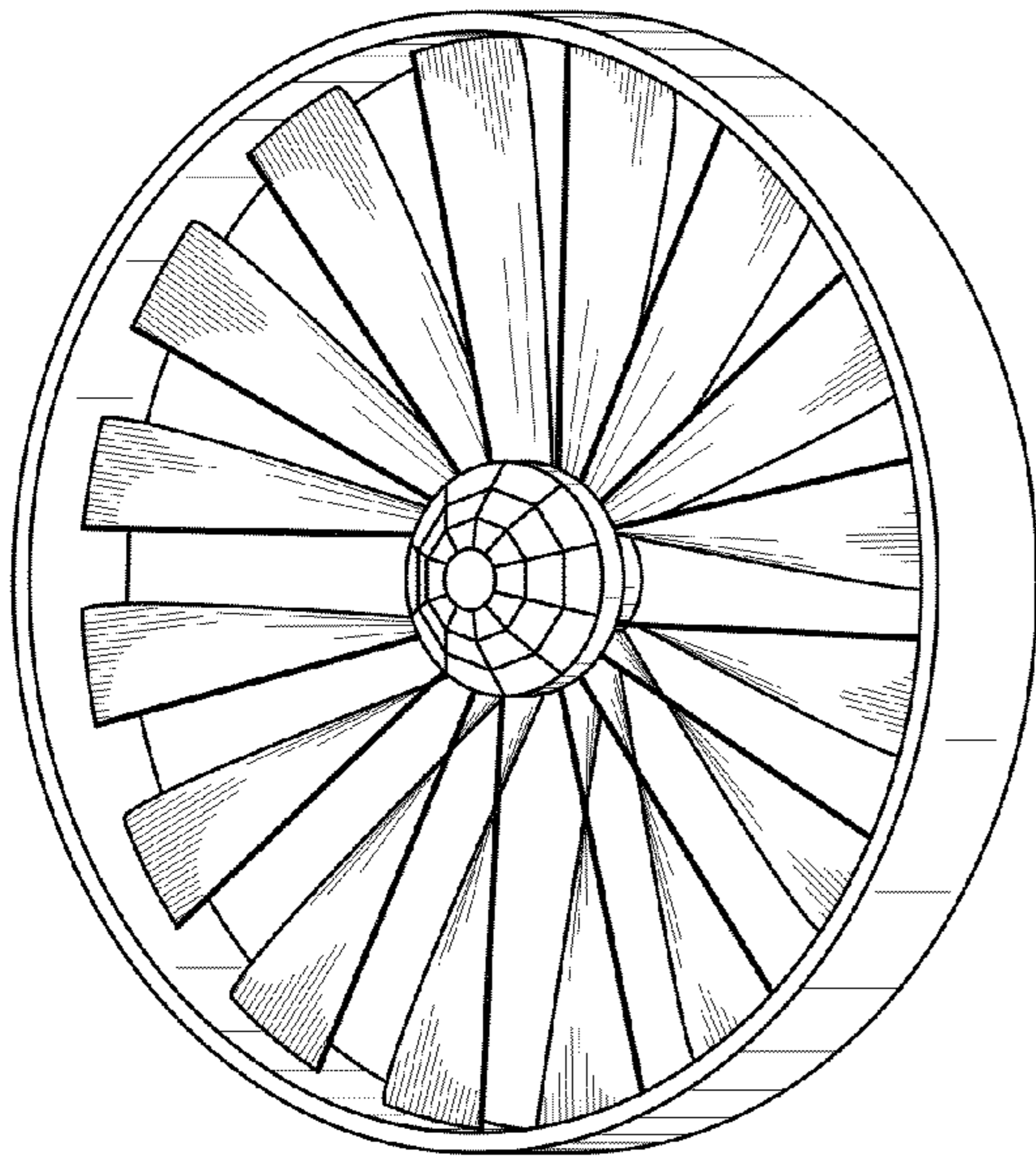


FIG. 1

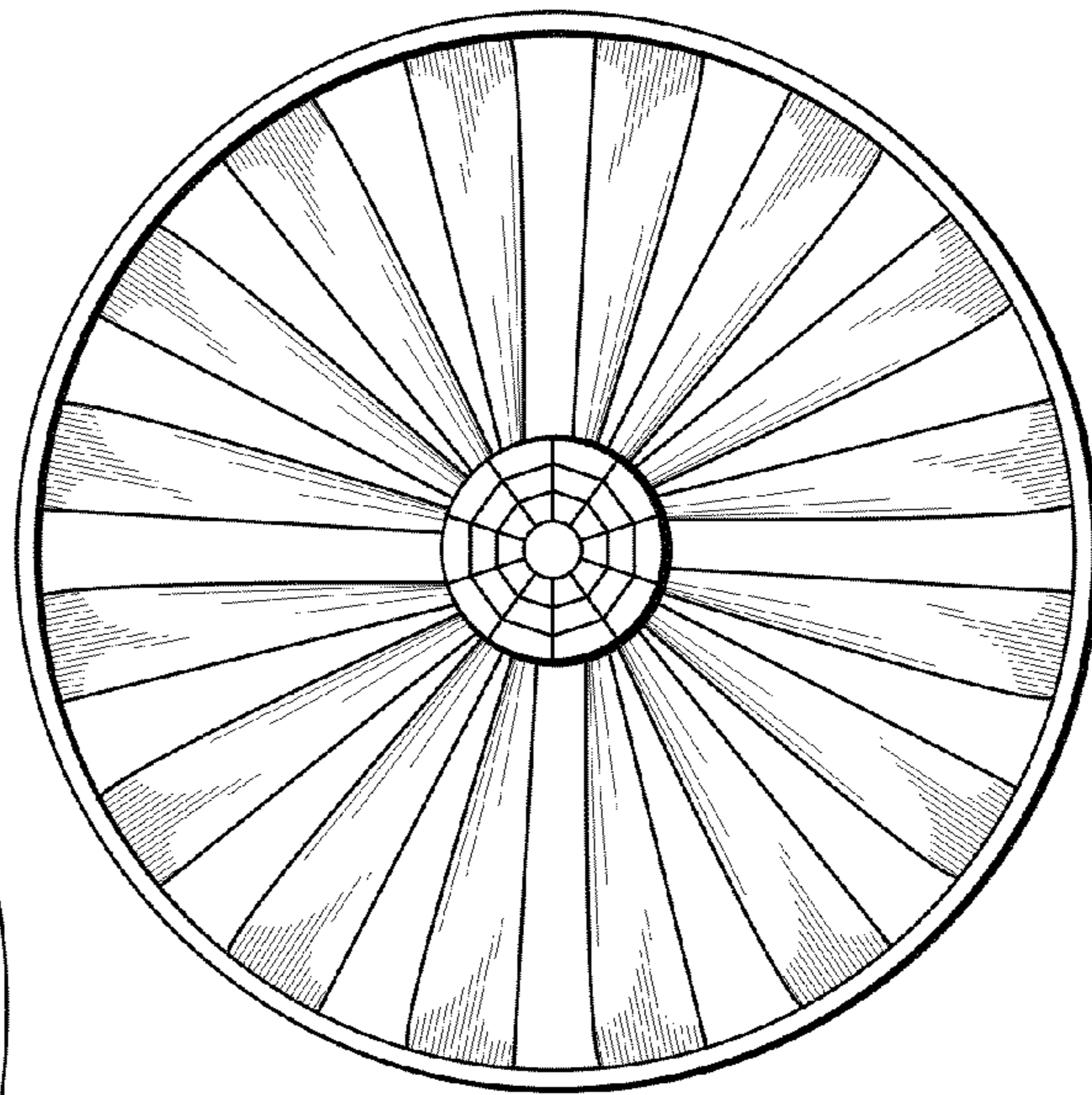


FIG. 2

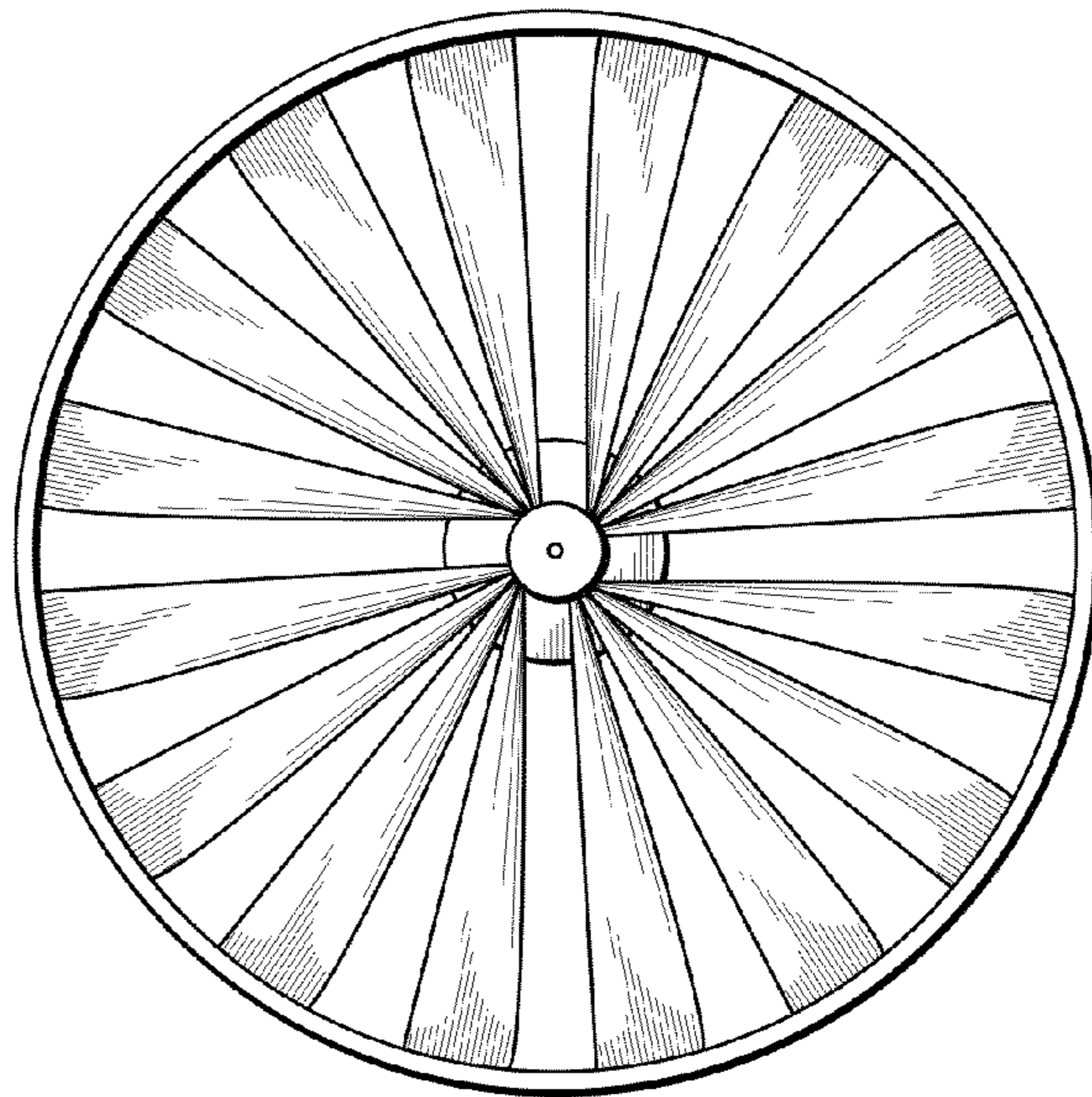


FIG. 3

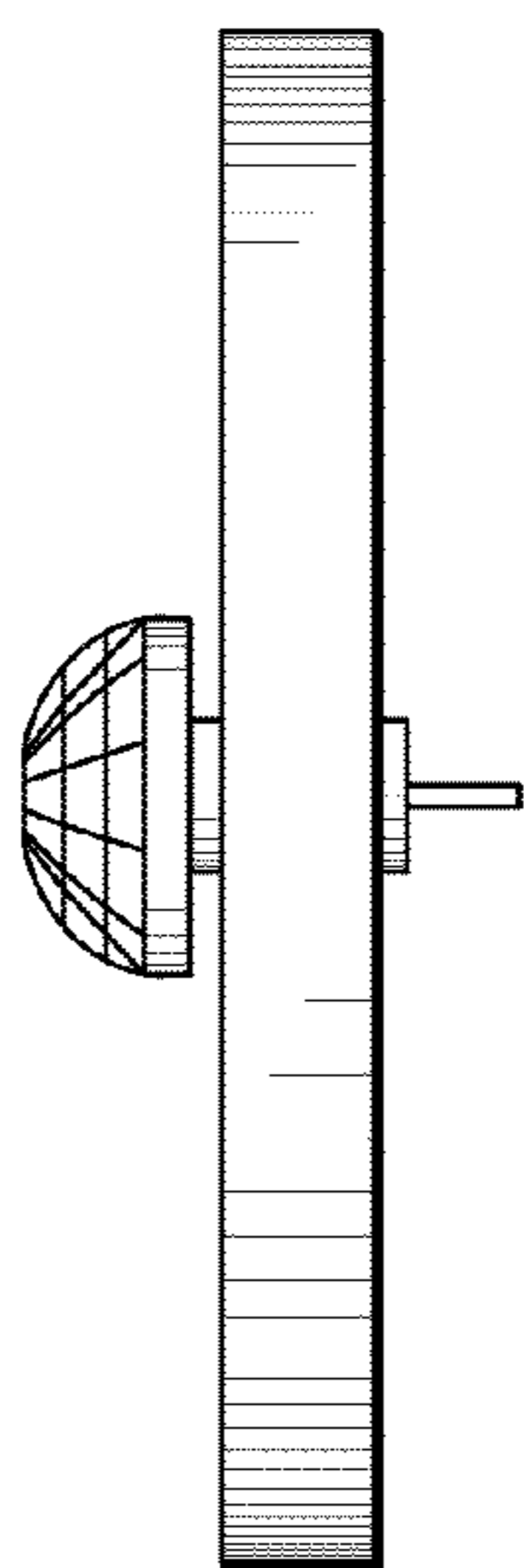


FIG. 4

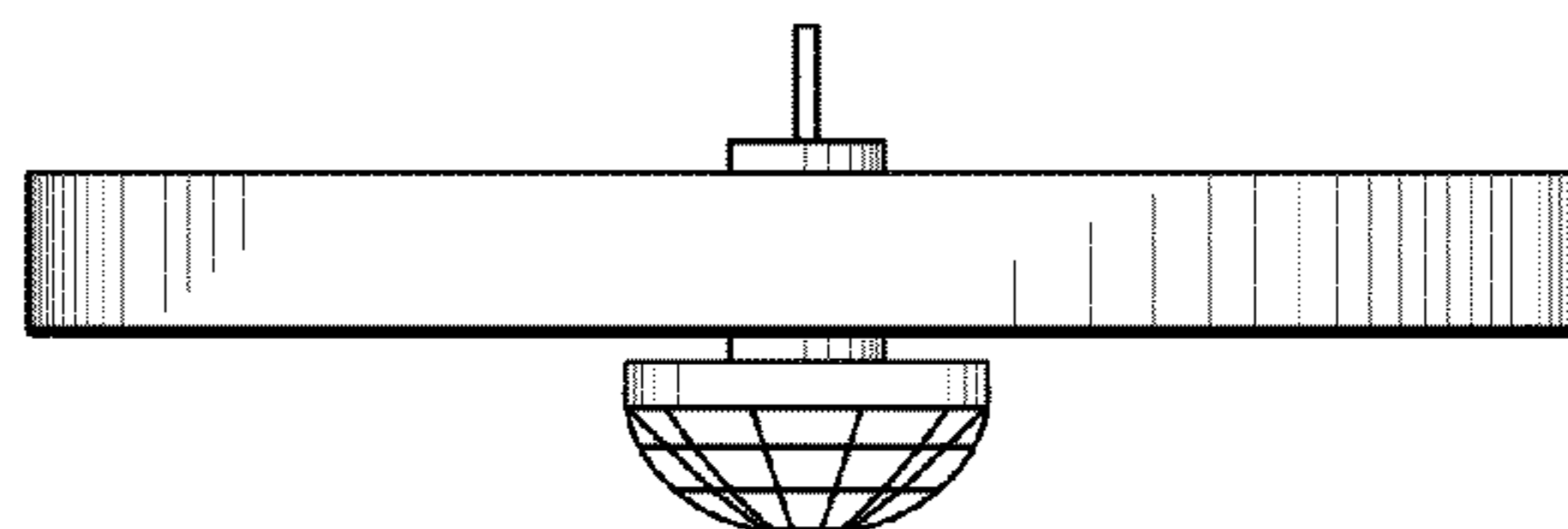


FIG. 5