



US00D739791S

(12) **United States Design Patent**
Zumdome et al.

(10) **Patent No.:** **US D739,791 S**
(45) **Date of Patent:** **** Sep. 29, 2015**

(54) **WEAR INSERT**

(71) Applicant: **DEERE & COMPANY**, Moline, IL
(US)
(72) Inventors: **Lee E. Zumdome**, Bettendorf, IA (US);
Michael E. Frasier, Iowa City, IA (US)
(73) Assignee: **DEERE & COMPANY**, Moline, IL
(US)

(**) Term: **14 Years**

(21) Appl. No.: **29/480,977**

(22) Filed: **Jan. 31, 2014**

(51) **LOC (10) Cl.** **12-10**

(52) **U.S. Cl.**
USPC **D12/106**

(58) **Field of Classification Search**
USPC D12/106, 19, 129, 100-105, 111-112;
D21/425, 435; D34/16-19; 280/204,
280/205, 63, 475, 482, 647; 296/168, 180,
296/180.2, 61, 10, 100.01-100.08

See application file for complete search history.

(56) **References Cited**

U.S. PATENT DOCUMENTS

| | | | | |
|----------------|---------|------------------|-------|---------|
| D594,044 S * | 6/2009 | Malmberg | | D15/144 |
| D690,233 S * | 9/2013 | Manchik | | D12/106 |
| D690,234 S * | 9/2013 | Manchik | | D12/106 |
| D692,354 S * | 10/2013 | Manchik | | D12/106 |
| D696,981 S * | 1/2014 | Manchik | | D12/106 |
| D714,694 S * | 10/2014 | Manchik | | D12/162 |
| 9,052,183 B2 * | 6/2015 | Brueckert et al. | | 1/1 |

* cited by examiner

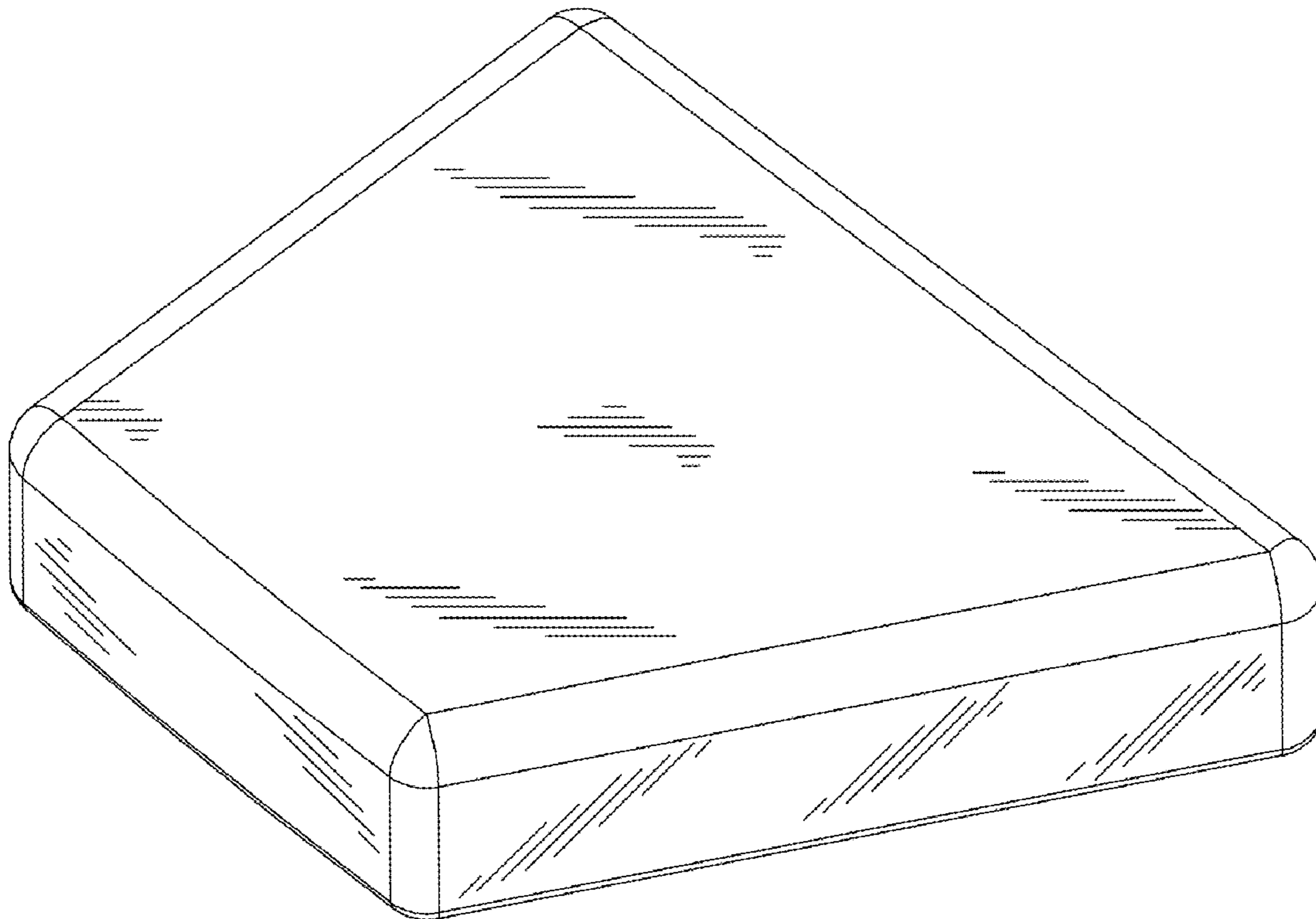
Primary Examiner — Katrina A Betton

(57) **CLAIM**
The ornamental design for a wear insert, as shown.

DESCRIPTION

FIG. 1 is a top perspective view of a wear insert.
FIG. 2 is a top view of the wear insert, design of FIG. 1.
FIG. 3 is a bottom view of the wear insert, design of FIG. 2.
FIG. 4 is a front view of the wear insert, design of FIG. 2.
FIG. 5 is a rear view of the wear insert, design of FIG. 2.
FIG. 6 is a left side view of the wear insert, design of FIG. 2;
and,
FIG. 7 is a right side view of the wear insert, design of FIG. 2.

1 Claim, 4 Drawing Sheets



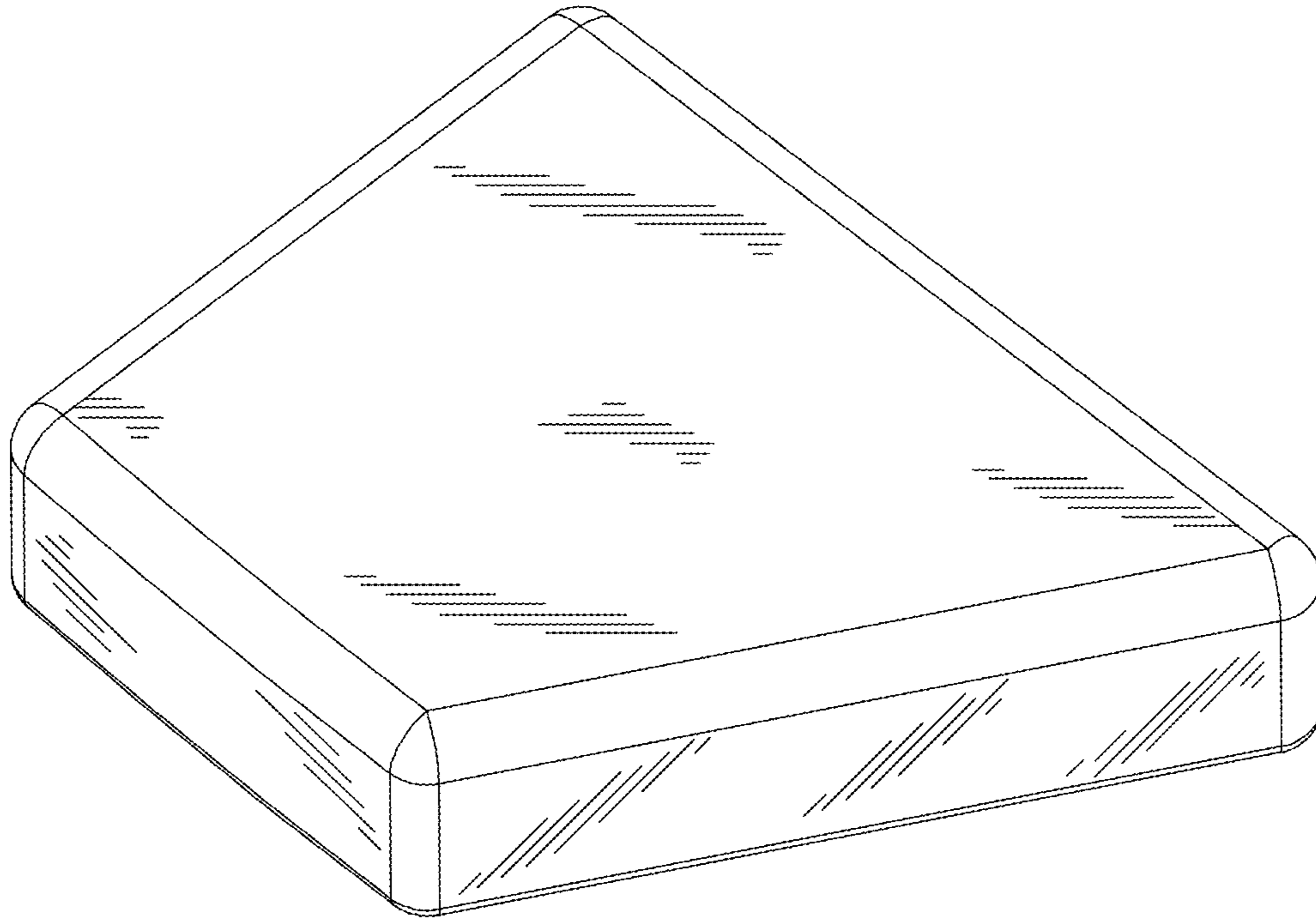


FIG. 1

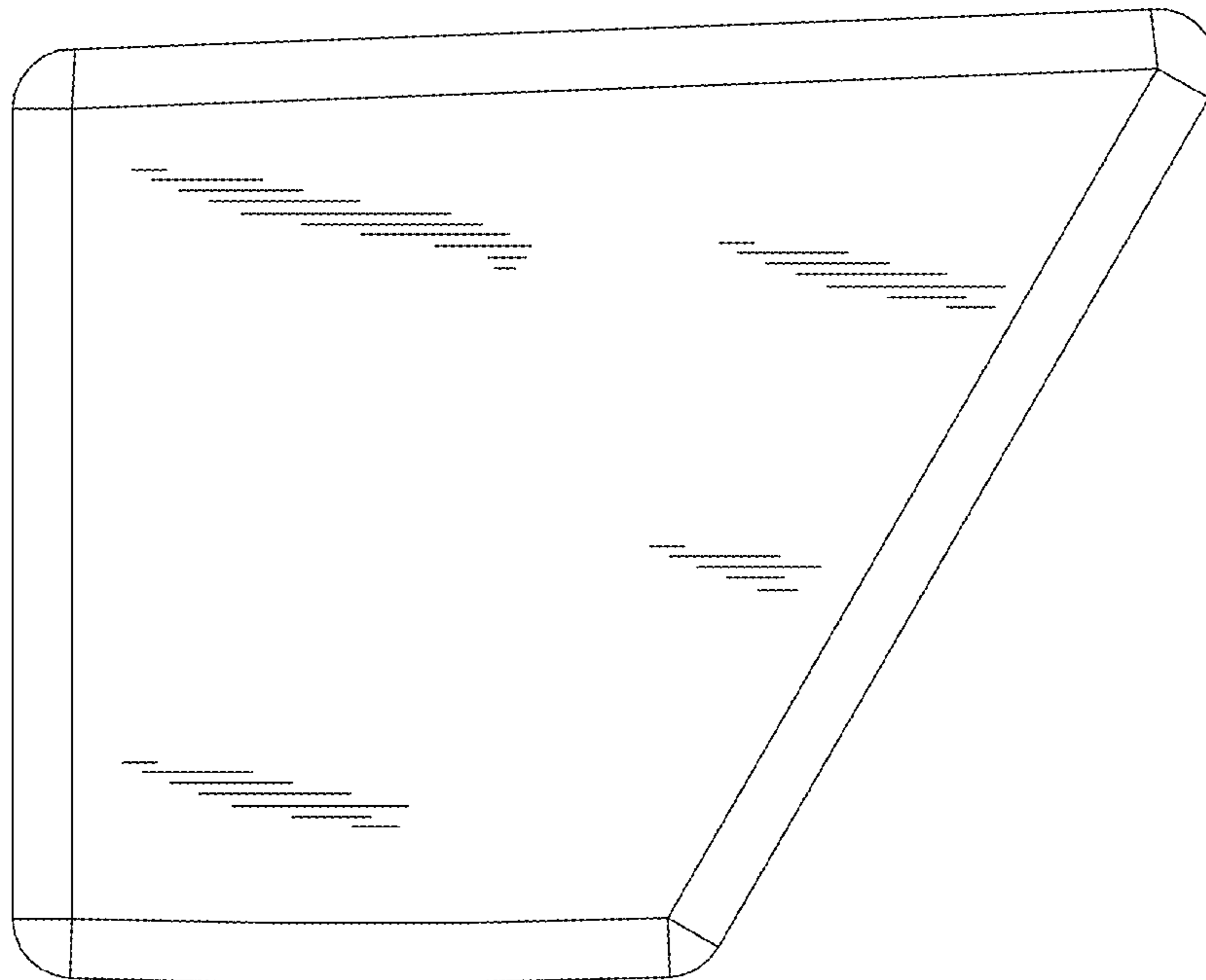


FIG. 2

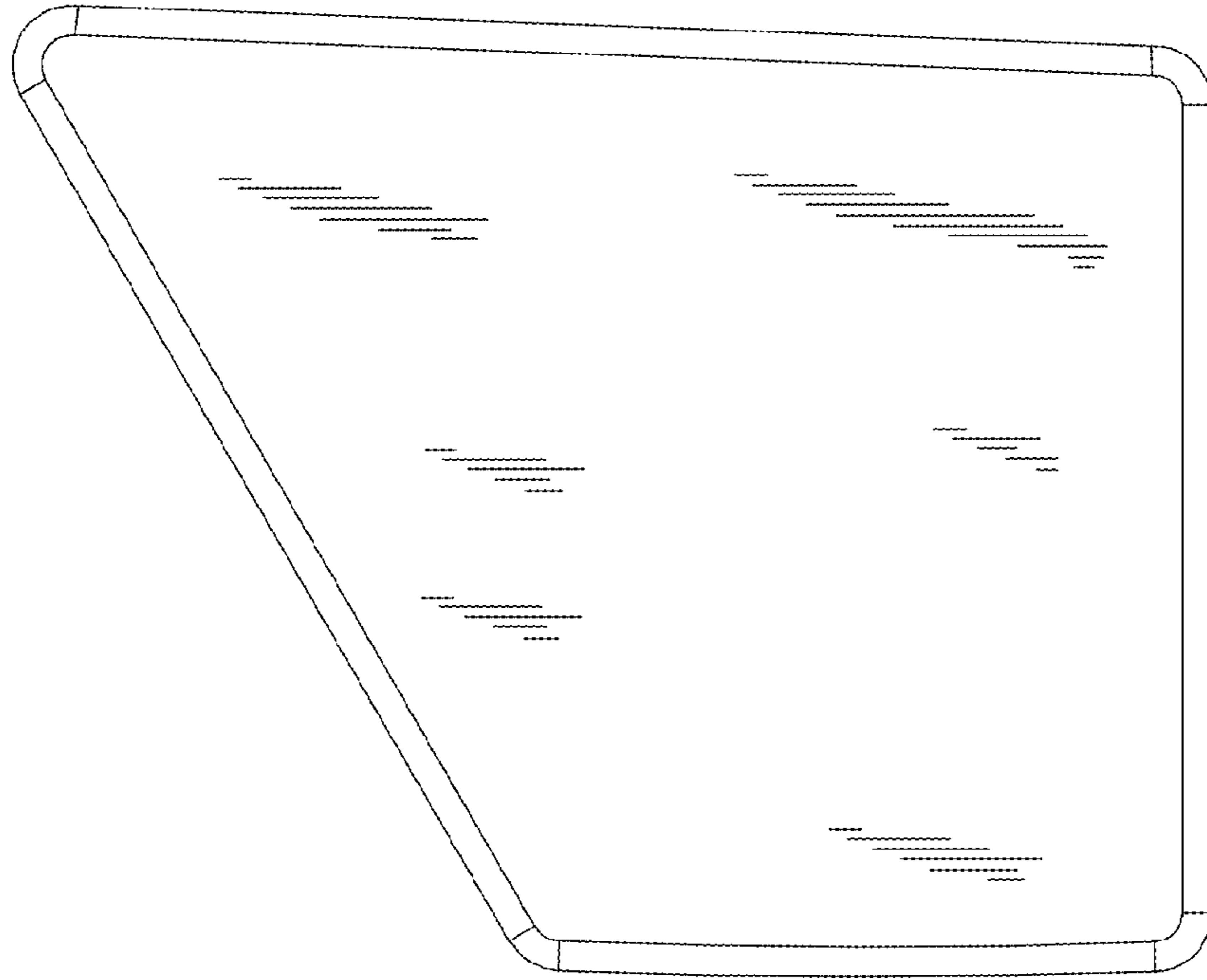


FIG. 3

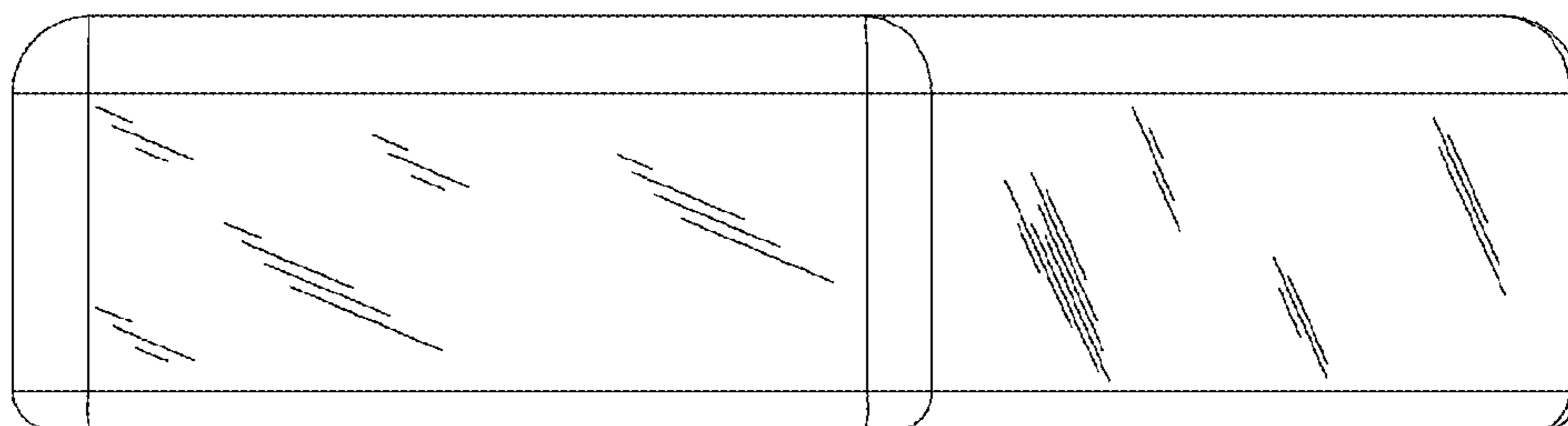


FIG. 4

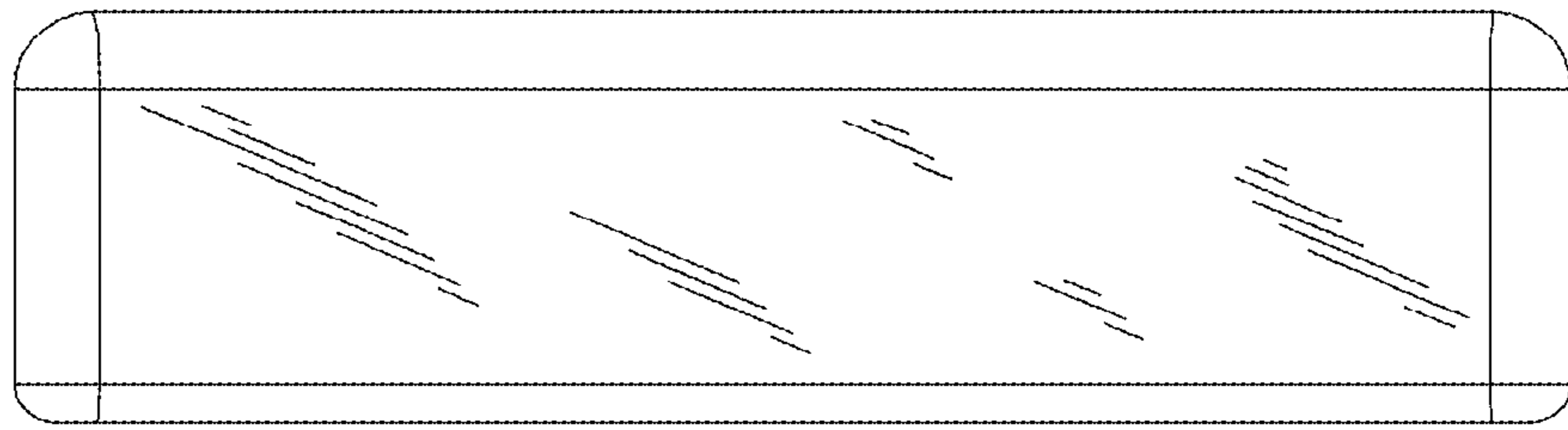


FIG. 5

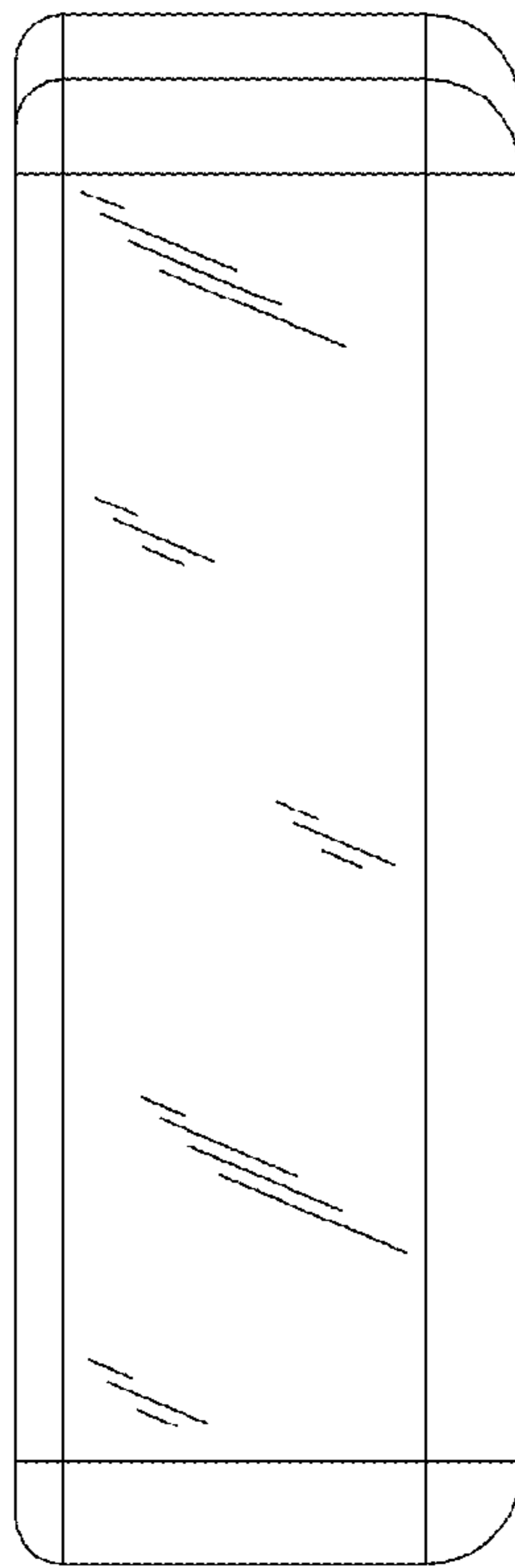


FIG. 6

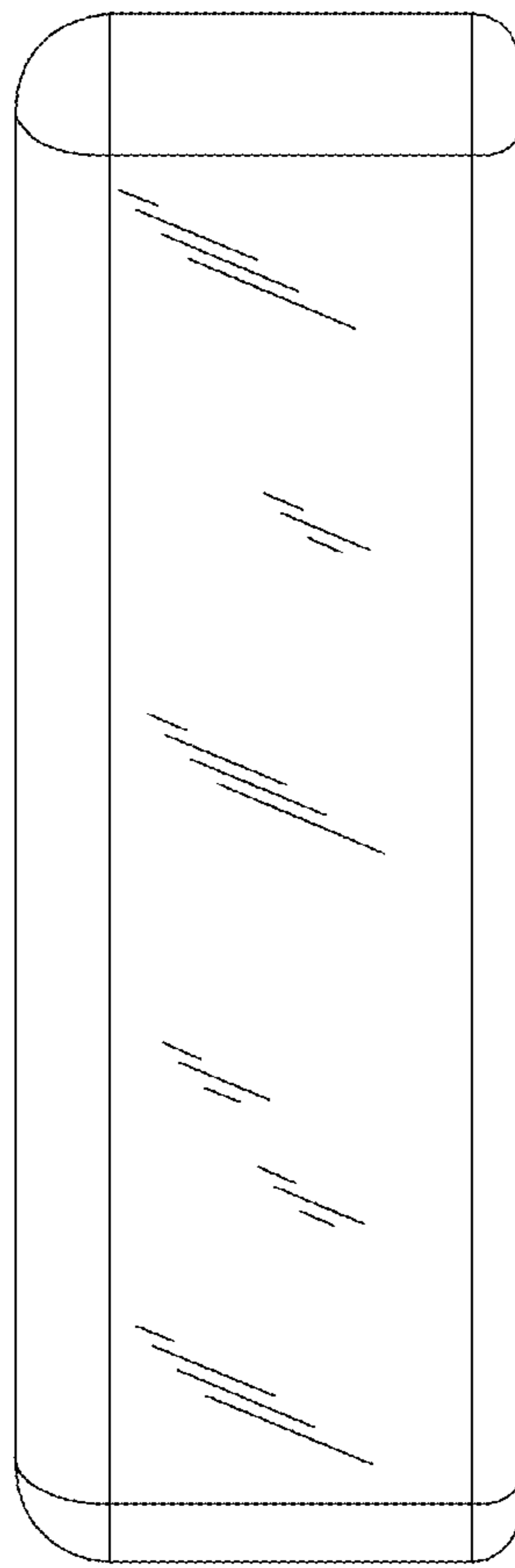


FIG. 7