



US00D739790S

(12) **United States Design Patent**  
**Zumdome et al.**

(10) **Patent No.:** **US D739,790 S**

(45) **Date of Patent:** **\*\* Sep. 29, 2015**

(54) **WEAR INSERT**

(71) Applicant: **DEERE & COMPANY**, Moline, IL  
(US)

(72) Inventors: **Lee E. Zumdome**, Bettendorf, IA (US);  
**Michael E. Frasier**, Iowa City, IA (US)

(73) Assignee: **DEERE & COMPANY**, Moline, IL  
(US)

(\*\*) Term: **14 Years**

(21) Appl. No.: **29/480,970**

(22) Filed: **Jan. 31, 2014**

(51) **LOC (10) Cl.** ..... **12-10**

(52) **U.S. Cl.**  
USPC ..... **D12/106**

(58) **Field of Classification Search**  
USPC ..... D12/106, 19, 129, 100–105, 111–112;  
D21/425, 435; D34/16–19; 280/204,  
280/205, 63, 475, 482, 647; 296/168, 180,  
296/180.2, 61, 10, 100.01–100.08  
See application file for complete search history.

(56) **References Cited**

**U.S. PATENT DOCUMENTS**

D594,044 S \* 6/2009 Malmberg ..... D15/144

D690,233 S \* 9/2013 Manchik ..... D12/106  
D690,234 S \* 9/2013 Manchik ..... D12/106  
D692,354 S \* 10/2013 Manchik ..... D12/106  
D696,981 S \* 1/2014 Manchik ..... D12/106  
D714,694 S \* 10/2014 Manchik ..... D12/162  
9,052,183 B2 \* 6/2015 Brueckert et al. .... 1/1

\* cited by examiner

*Primary Examiner* — Katrina A Betton

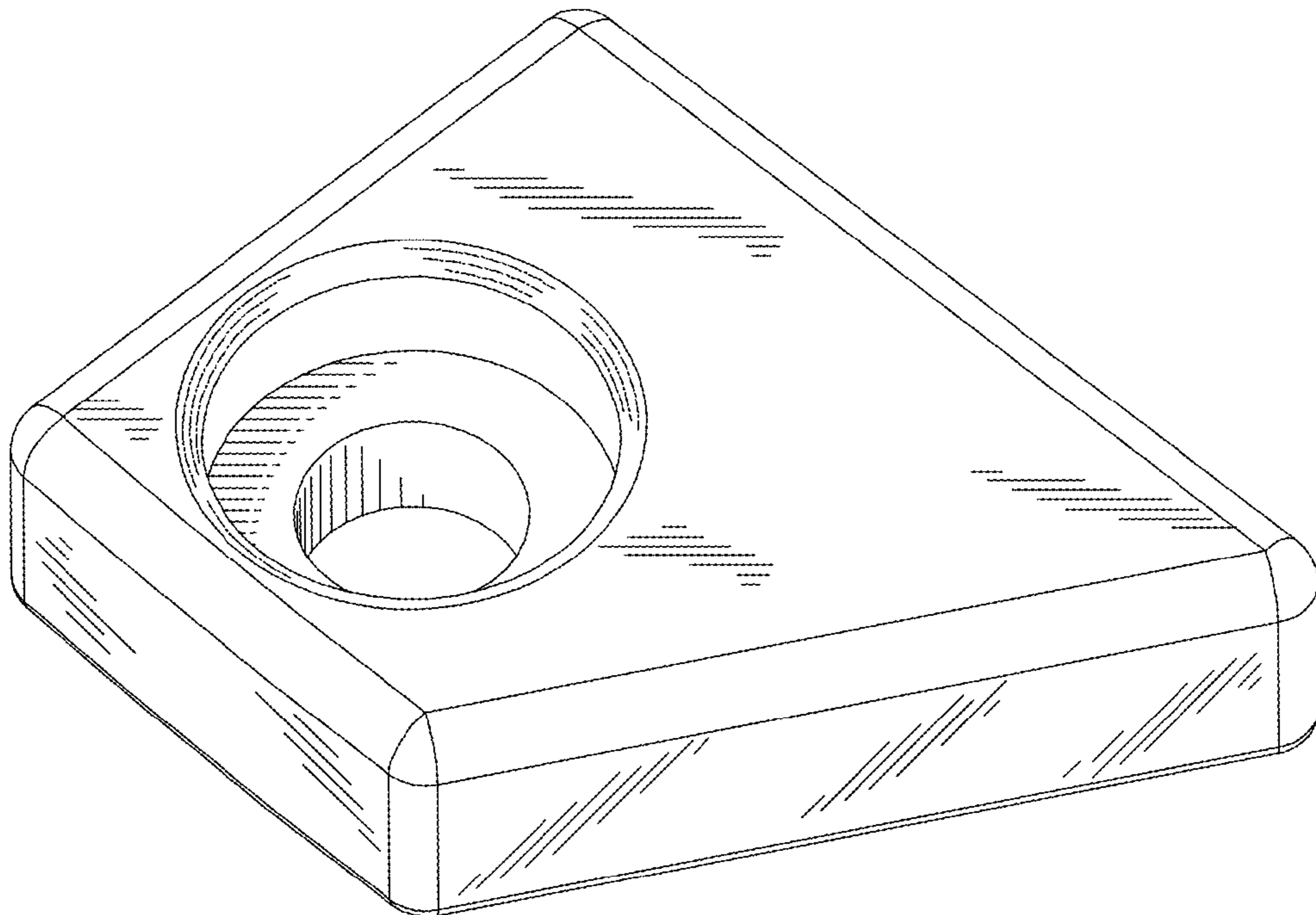
(57) **CLAIM**

The ornamental design for a wear insert, as shown.

**DESCRIPTION**

FIG. 1 is a top perspective view of a wear insert.  
FIG. 2 is a top view of the wear insert, design of FIG. 1.  
FIG. 3 is a bottom view of the wear insert, design of FIG. 2.  
FIG. 4 is a front view of the wear insert, design of FIG. 2.  
FIG. 5 is a rear view of the wear insert, design of FIG. 2.  
FIG. 6 is a left side view of the wear insert, design of FIG. 2;  
and,  
FIG. 7 is a right side view of the wear insert, design of FIG. 2.

**1 Claim, 4 Drawing Sheets**



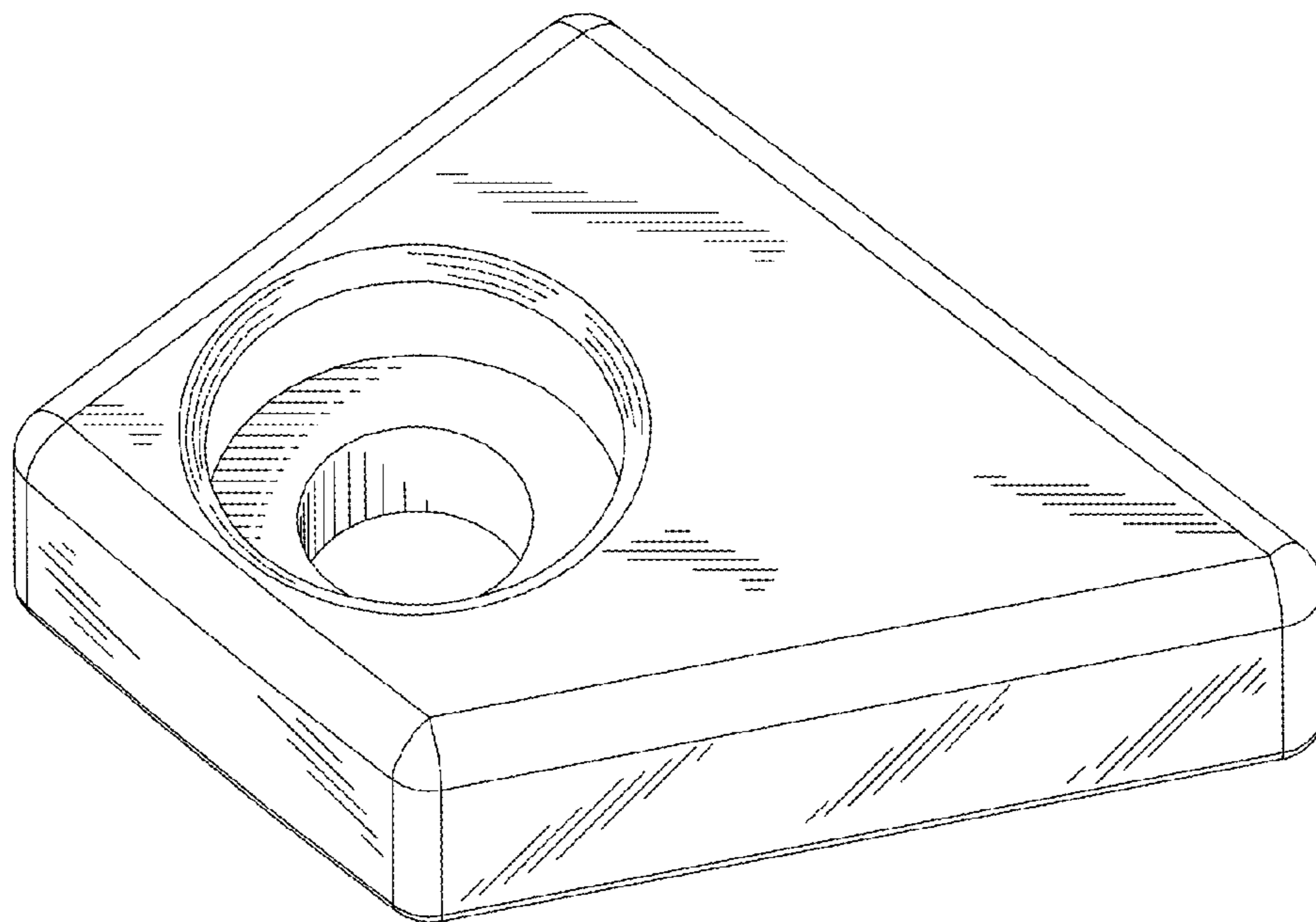


FIG. 1

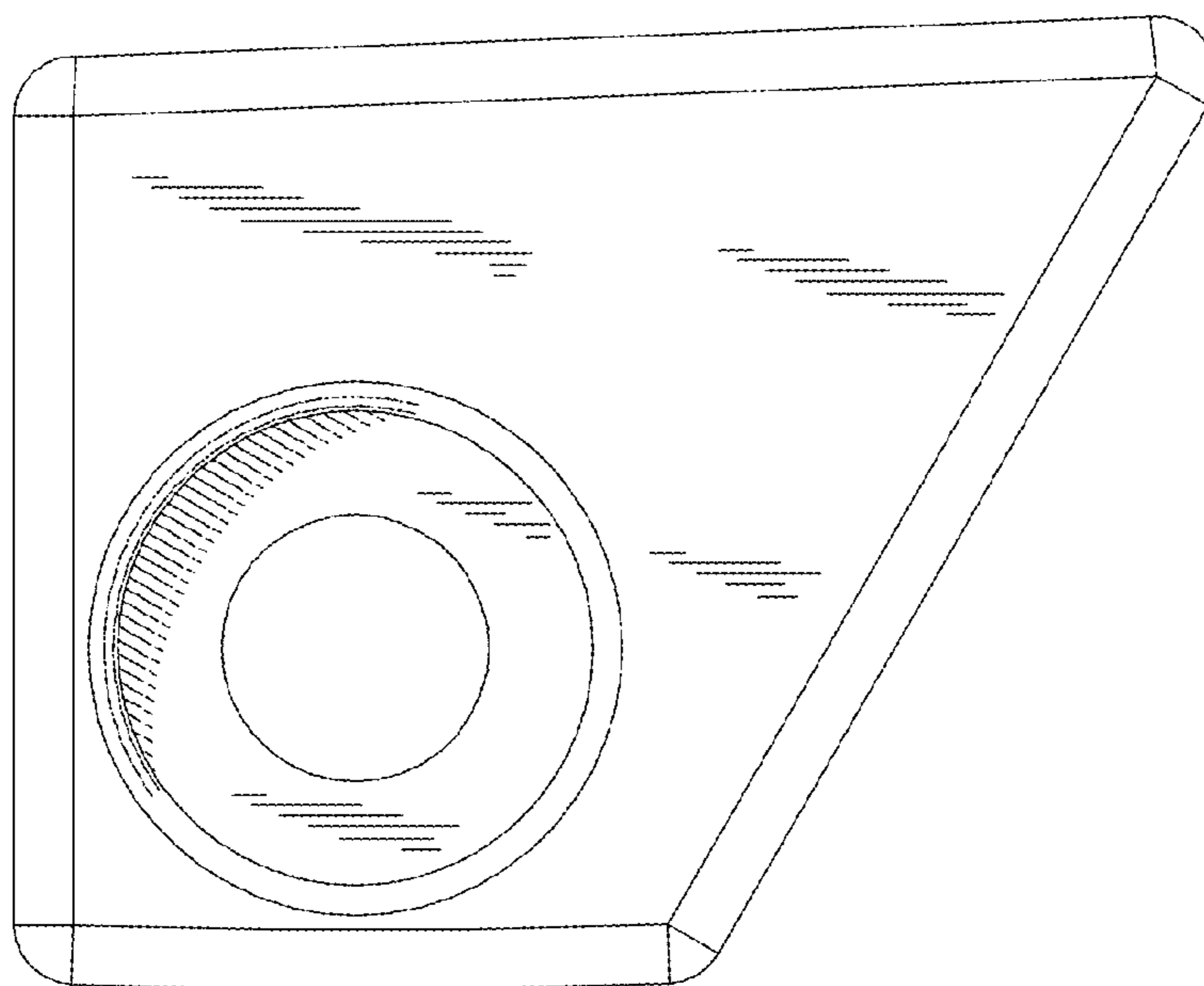


FIG. 2

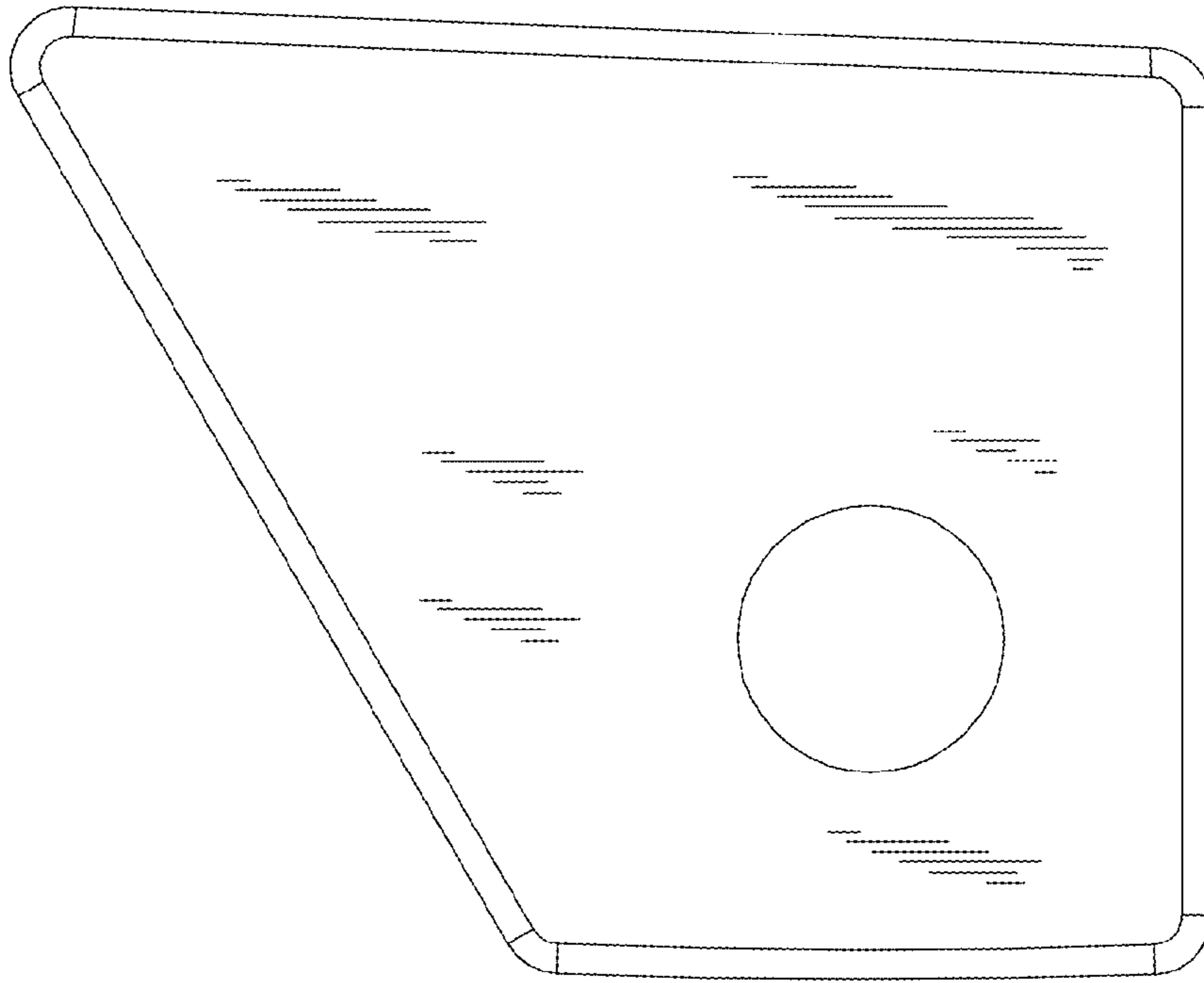


FIG. 3

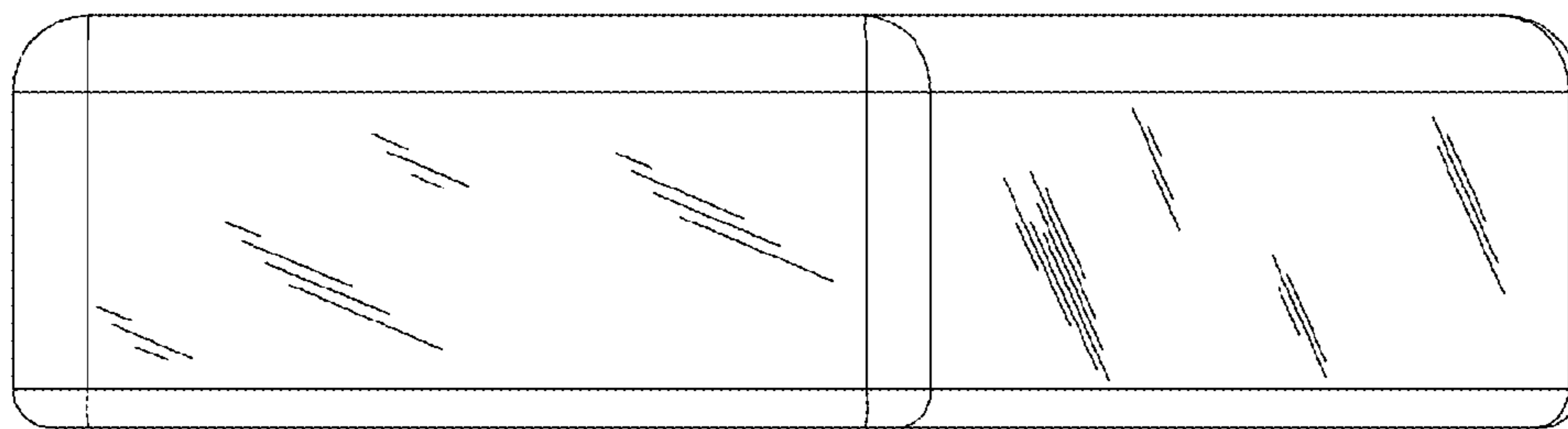


FIG. 4

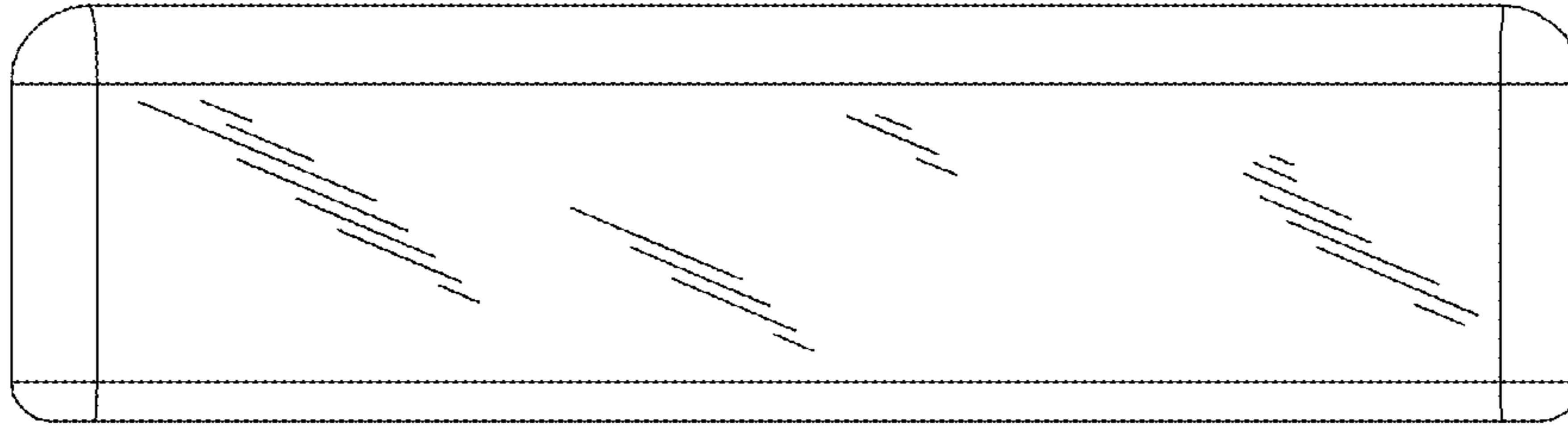


FIG. 5

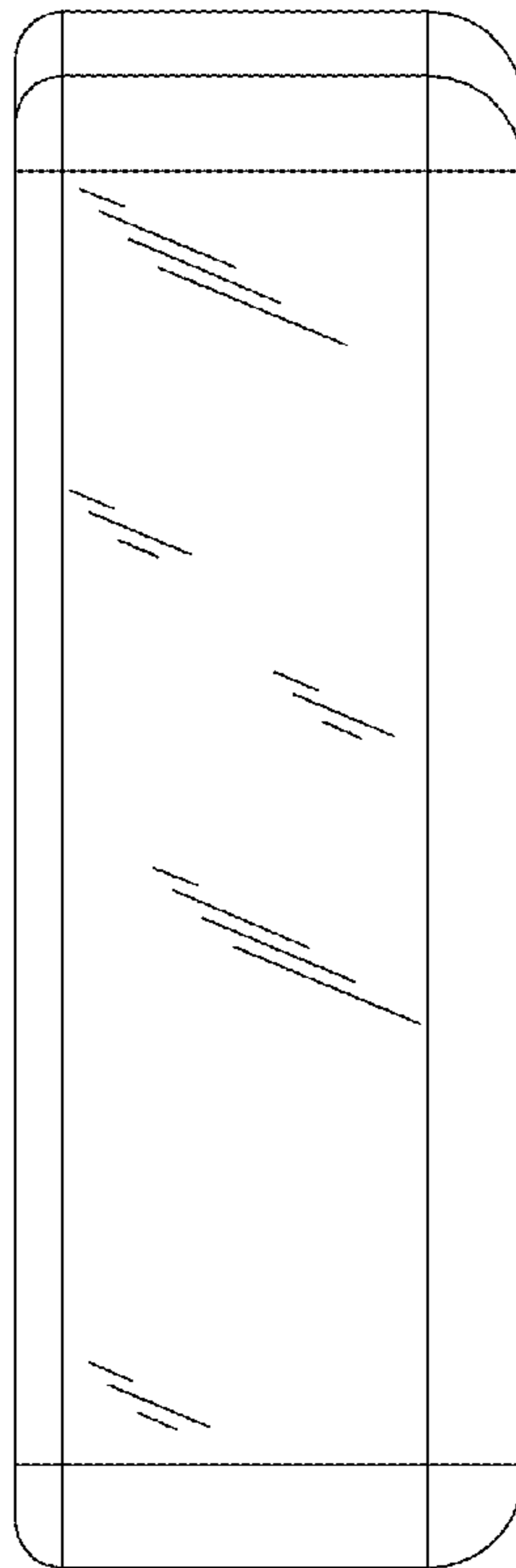


FIG. 6

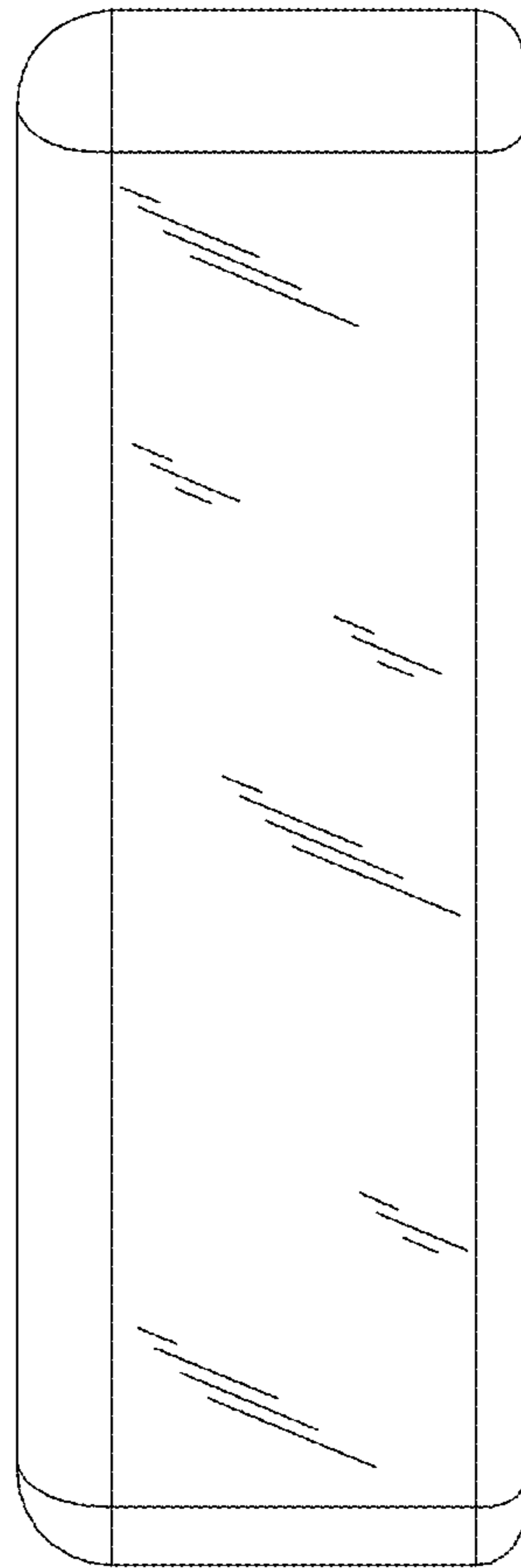


FIG. 7