



US00D739782S

(12) **United States Design Patent**  
**Pettigrew et al.**

(10) **Patent No.:** **US D739,782 S**  
(45) **Date of Patent:** **\*\* Sep. 29, 2015**

(54) **PLANTER**

(71) Applicant: **The HC Companies, Inc.**, Twinsburg, OH (US)

(72) Inventors: **Doug Pettigrew**, Wilsonville (CA);  
**Margot Beesley**, Akron, OH (US); **Mari Lyn Bushnell**, Stillman Valley, IL (US)

(73) Assignee: **The HC Companies, Inc.**, Twinsburg, OH (US)

(\*\*) Term: **14 Years**

(21) Appl. No.: **29/488,552**

(22) Filed: **Apr. 21, 2014**

(51) **LOC (10) Cl.** ..... **11-02**

(52) **U.S. Cl.**  
USPC ..... **D11/152**

(58) **Field of Classification Search**  
USPC ..... D6/403–405; D7/586, 587; D9/424,  
D9/428, 429, 642; D11/143–156, 164  
CPC ..... A01G 9/00; A01G 9/02; A01G 9/021;  
A01G 9/022; A01G 9/024; A01G 9/025;  
A01G 9/026; A01G 9/10; A01G 9/104;  
A01G 9/027; A01G 9/028

See application file for complete search history.

(56) **References Cited**

**U.S. PATENT DOCUMENTS**

879,753 A \* 2/1908 Eckert ..... 220/8  
D125,058 S \* 2/1941 Ratner ..... D11/152  
D196,275 S \* 9/1963 Neal et al. .... D9/436

D199,336 S \* 10/1964 Wanderer ..... D9/429  
3,490,290 A \* 1/1970 Bilson ..... 73/427  
D230,760 S \* 3/1974 Wilkinson ..... D11/148  
3,949,524 A \* 4/1976 Mickelson ..... 47/79  
4,481,733 A \* 11/1984 Jacobs ..... 47/71  
D331,549 S \* 12/1992 Embree ..... D11/153  
D442,019 S \* 5/2001 Wyche ..... D7/354  
D461,420 S \* 8/2002 Kerman ..... D10/46.2  
D536,277 S \* 2/2007 Cabeza ..... D11/152  
D568,113 S \* 5/2008 Wasserman et al. .... D7/586  
D606,454 S \* 12/2009 White ..... D11/153  
D613,126 S \* 4/2010 Warner ..... D7/587  
8,556,099 B2 \* 10/2013 Perlman ..... 220/8  
D696,976 S \* 1/2014 Paquin et al. .... D11/164

\* cited by examiner

*Primary Examiner* — Elizabeth Albert

(74) *Attorney, Agent, or Firm* — Haynes and Boone, LLP

(57) **CLAIM**

What is claimed is the ornamental design for a planter, as shown and described.

**DESCRIPTION**

FIG. 1 is a perspective view of a planter showing a new design;

FIG. 2 is a front view of the planter of FIG. 1;

FIG. 3 is a rear view of the planter of FIG. 1;

FIG. 4 is a right side view of the planter of FIG. 1;

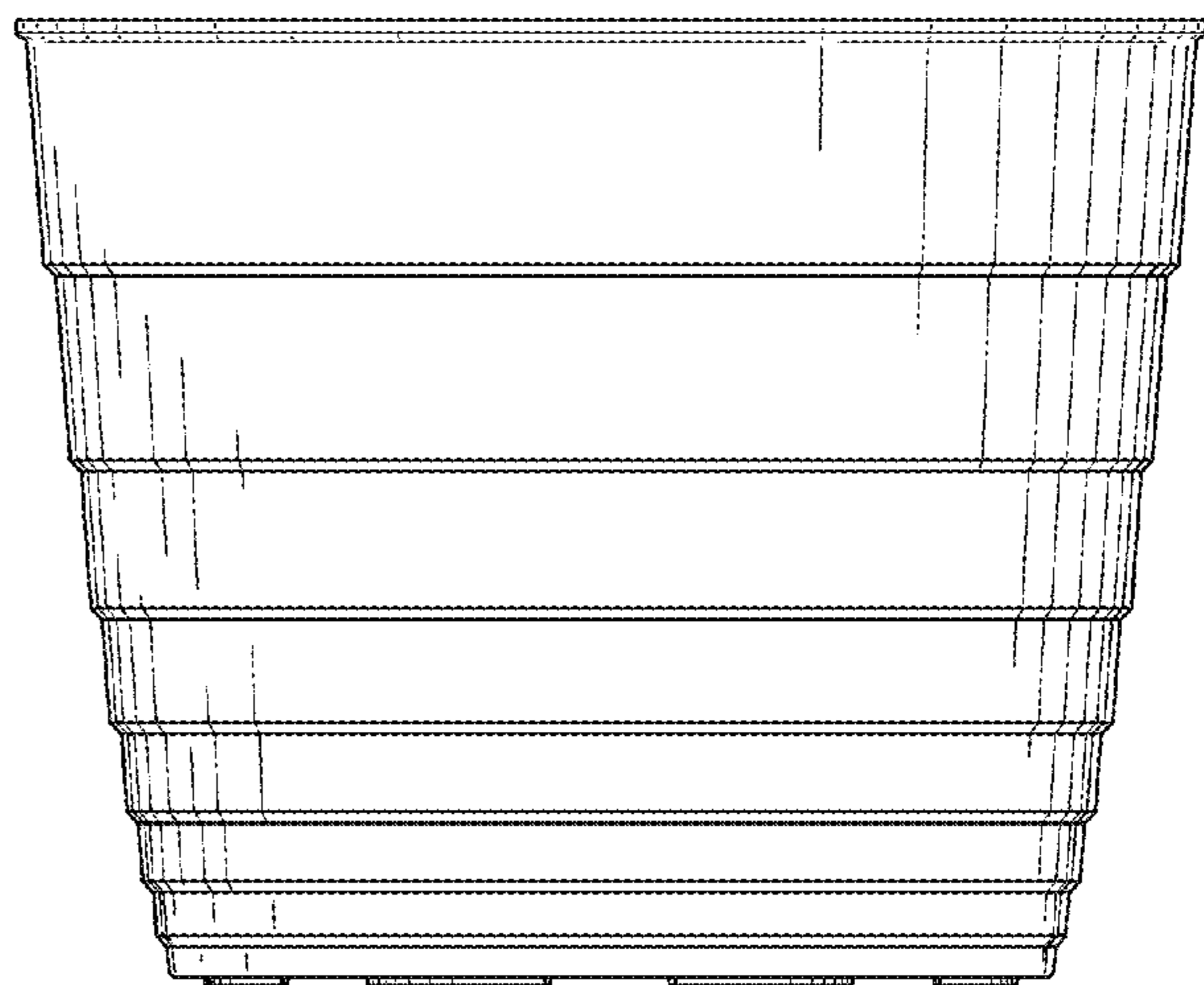
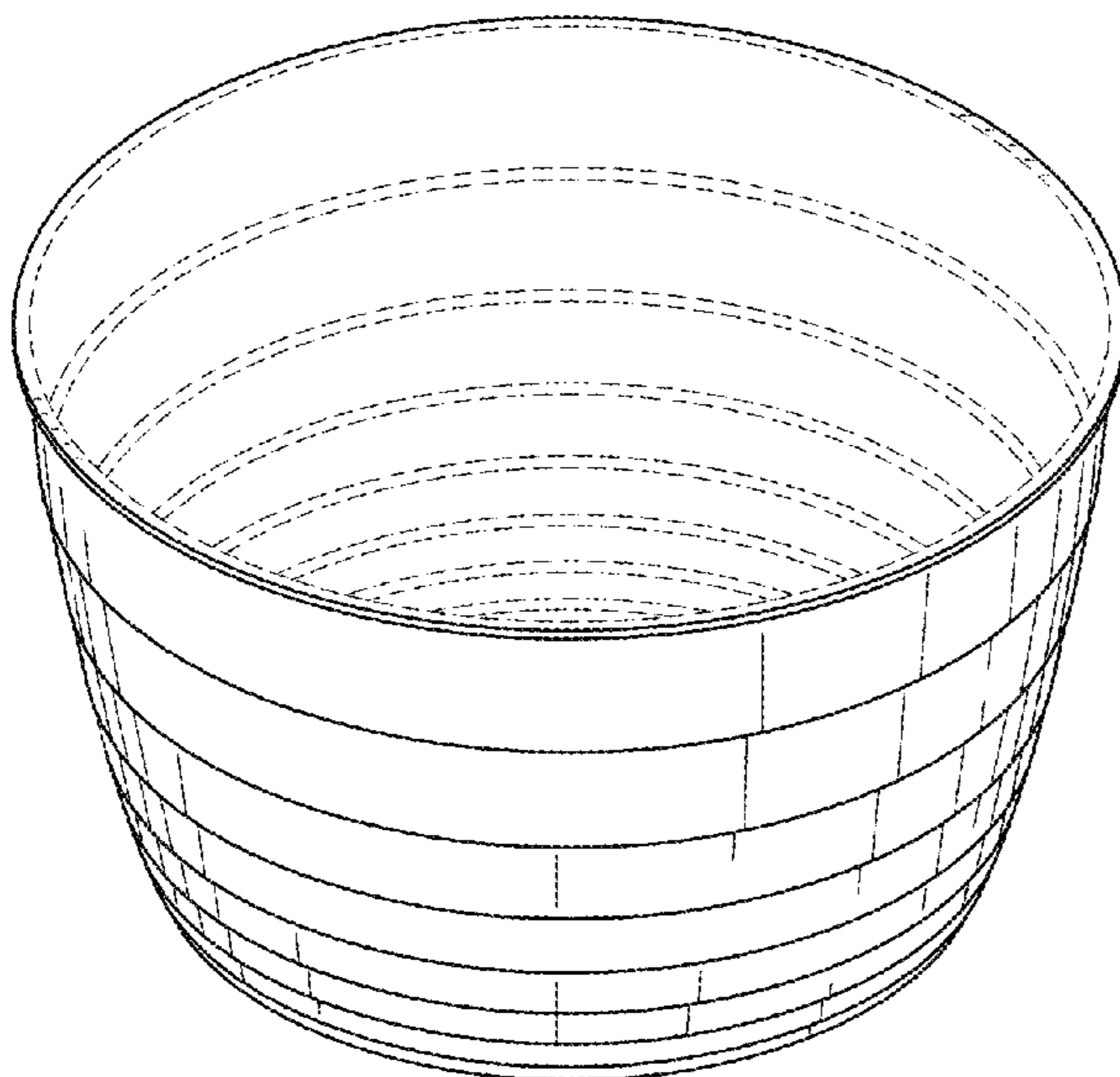
FIG. 5 is a left side view of the planter of FIG. 1;

FIG. 6 is a top view of the planter of FIG. 1; and,

FIG. 7 is a bottom view of the planter of FIG. 1.

The portions shown in broken lines are included for the purpose of showing features that form no part of the claimed design.

**1 Claim, 4 Drawing Sheets**



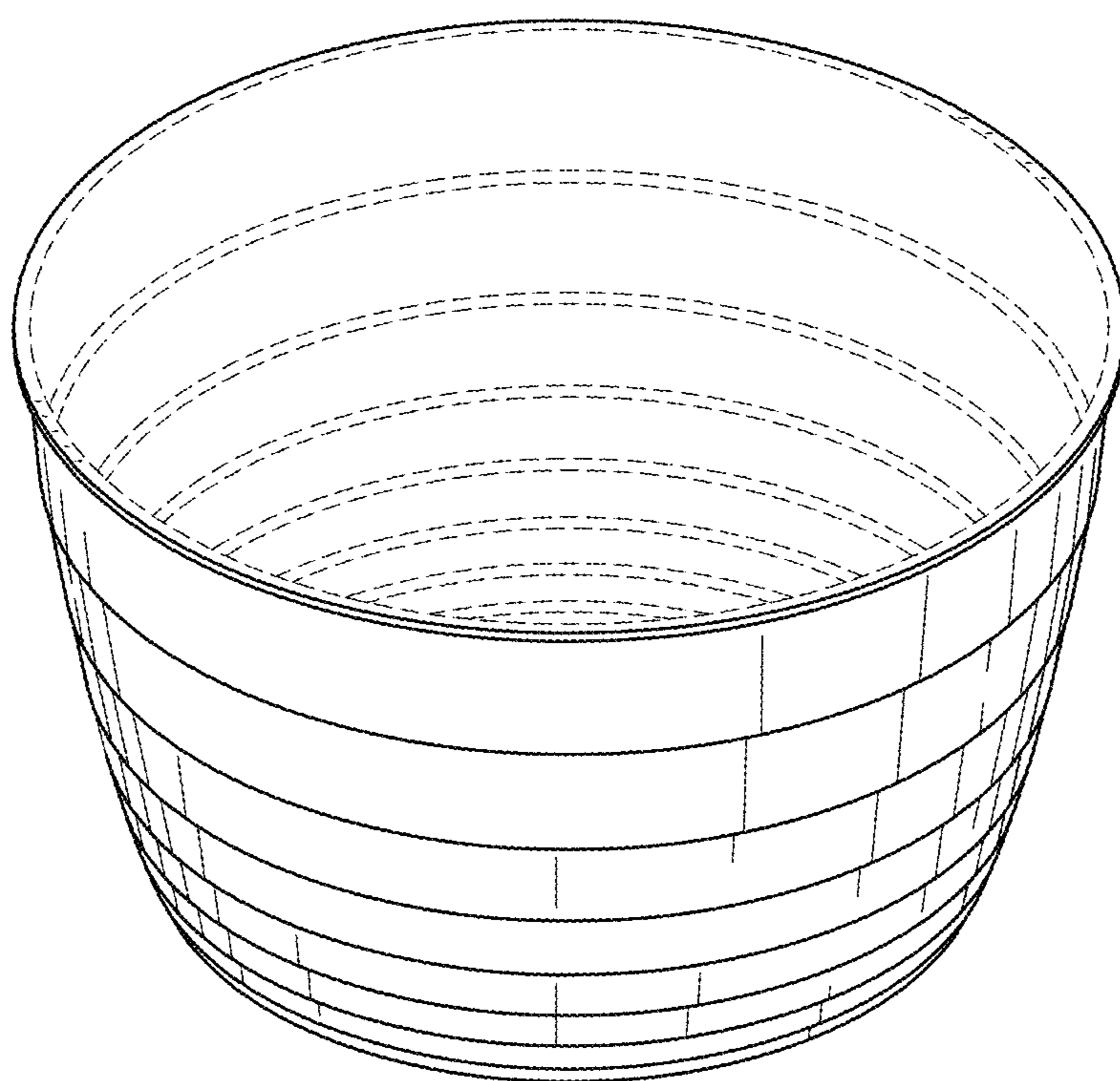


Fig. 1

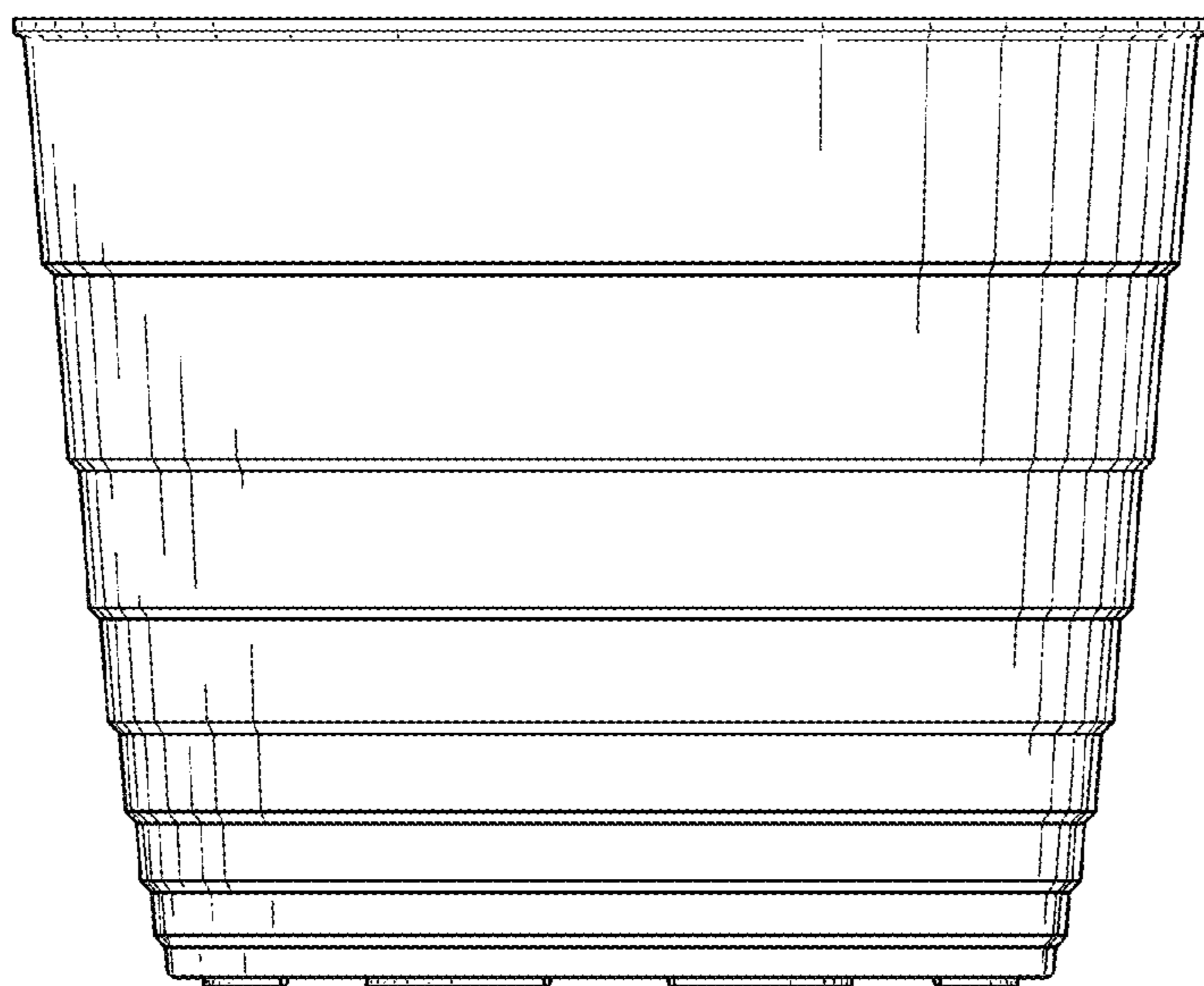


Fig. 2

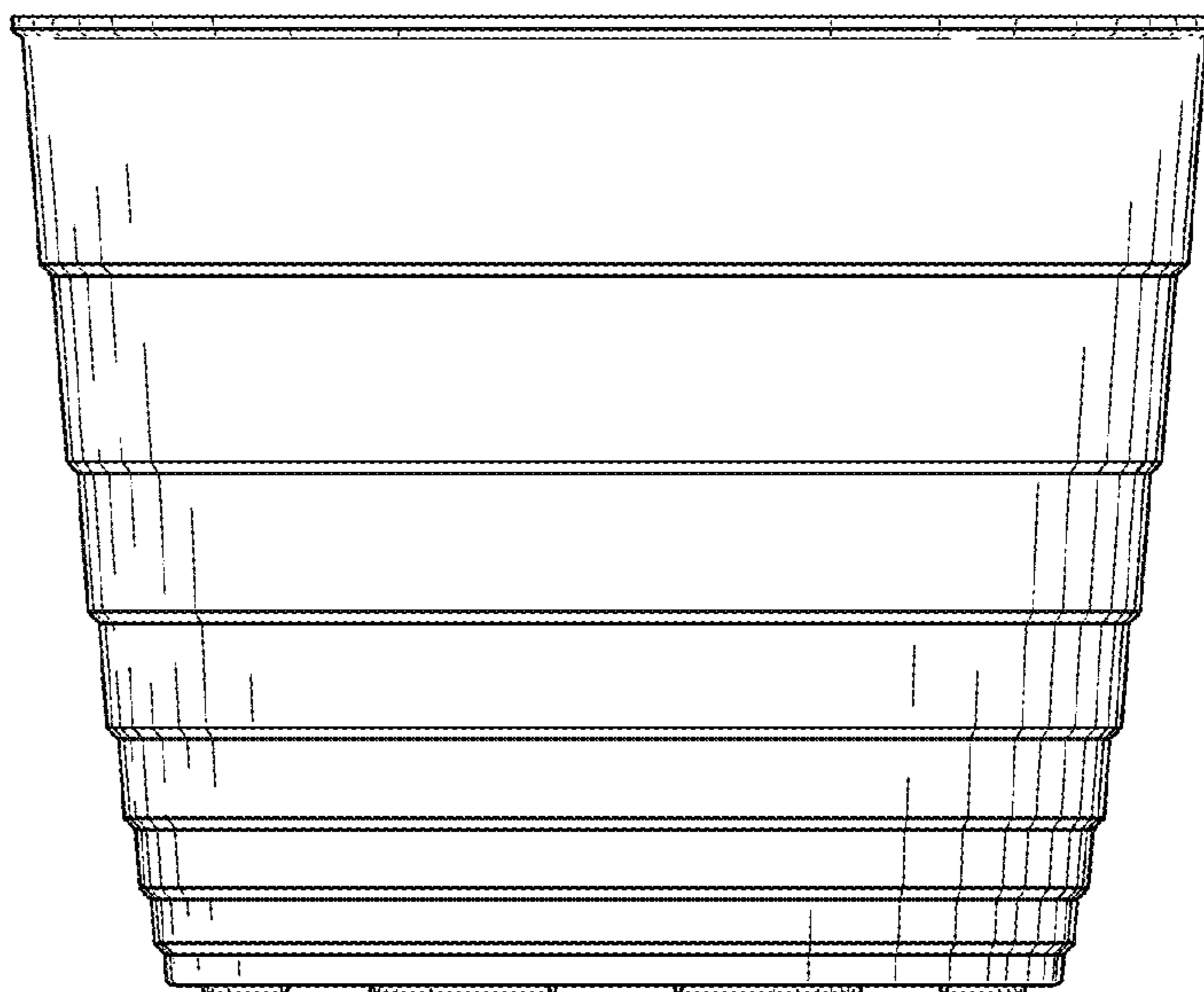


Fig. 3

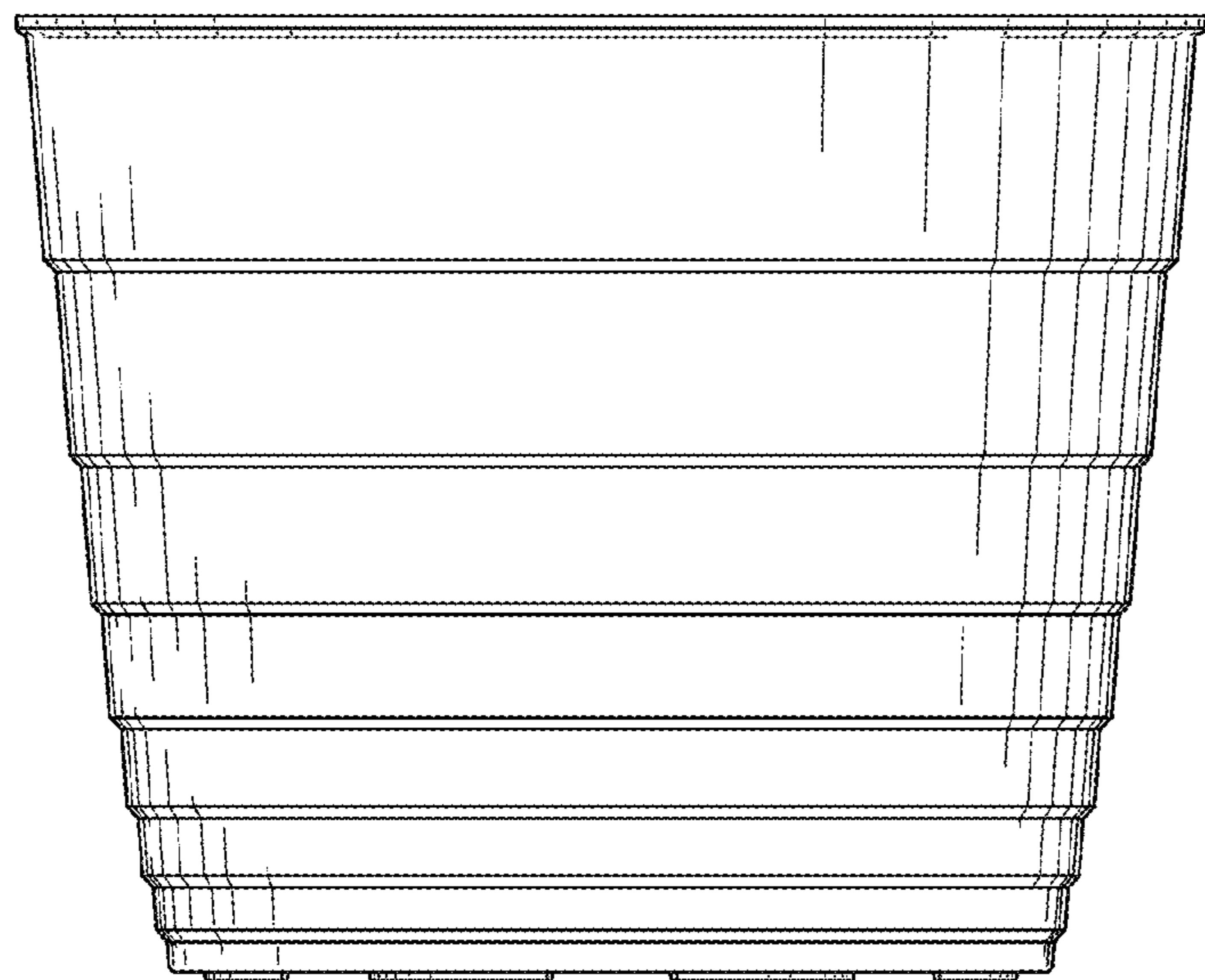


Fig. 4

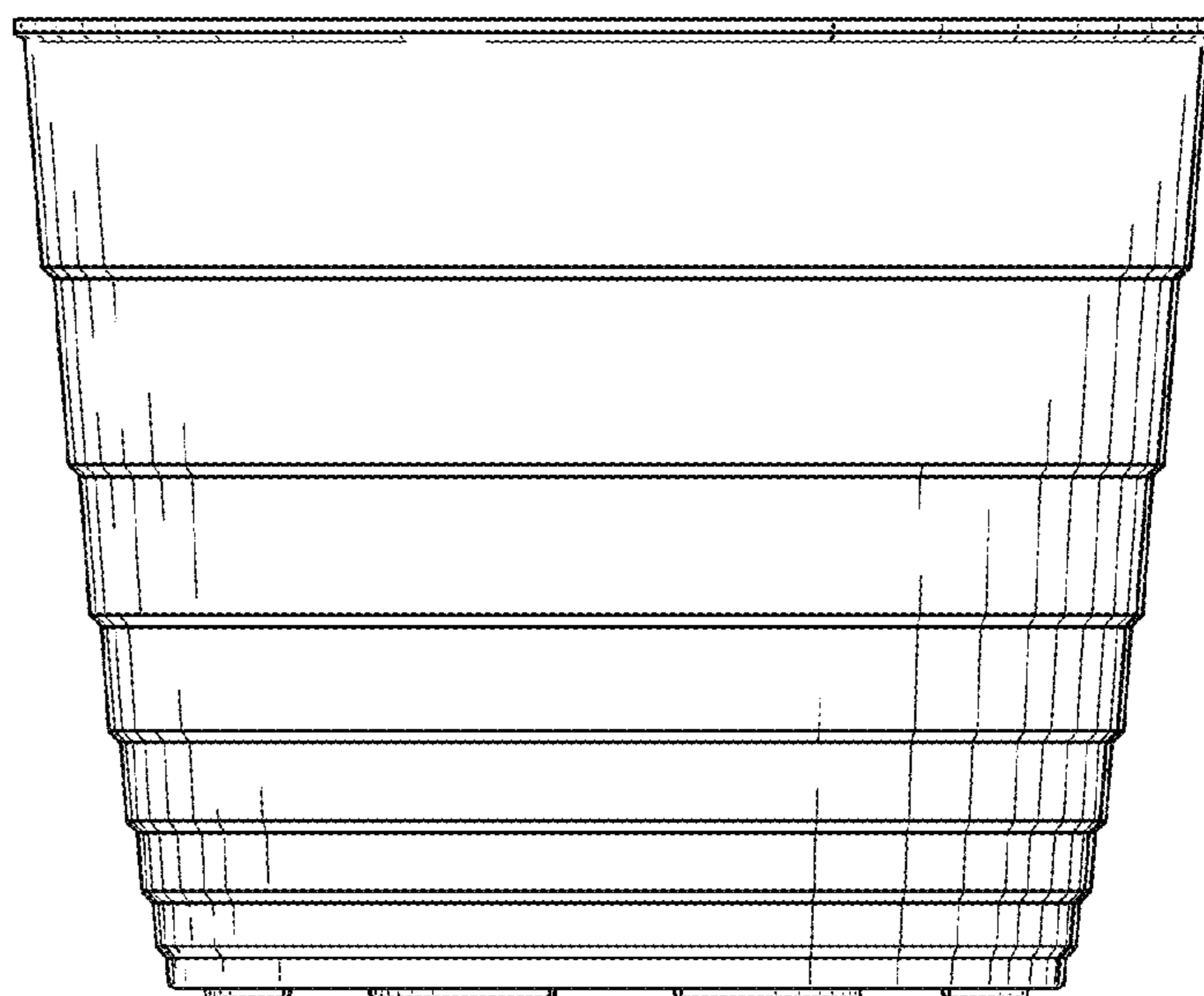


Fig. 5

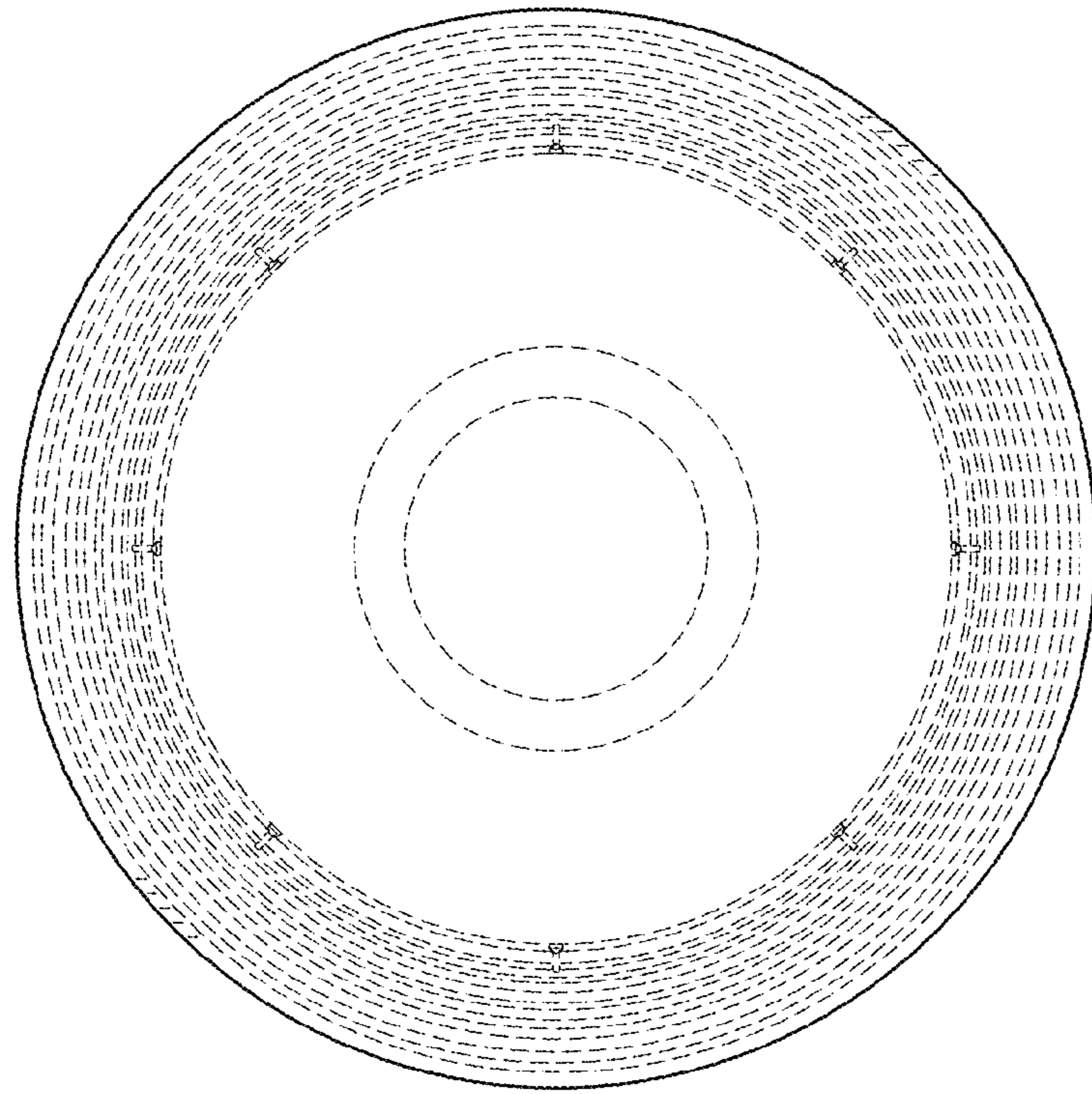


Fig. 6

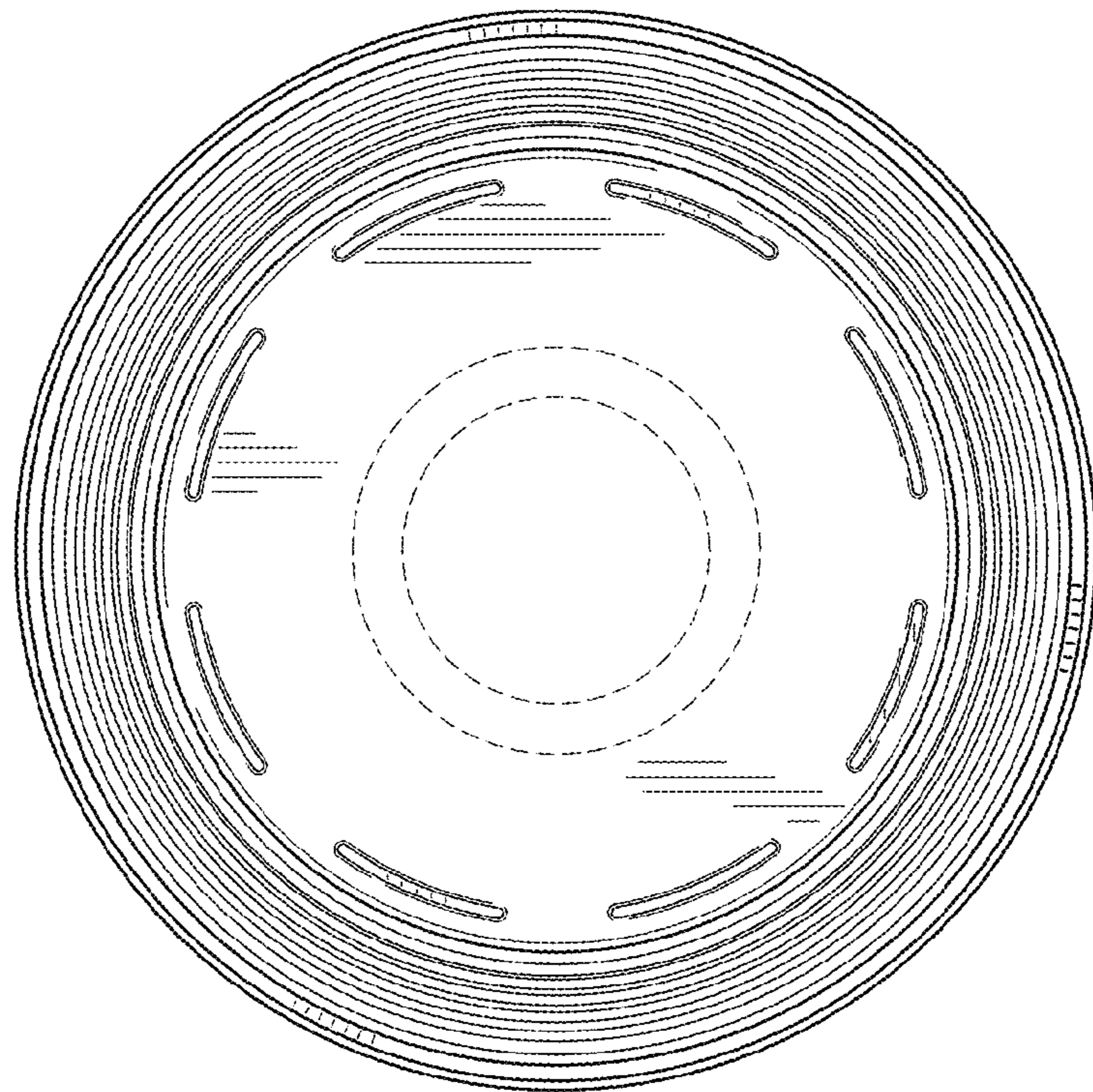


Fig. 7