



US00D739781S

(12) **United States Design Patent**
Pettigrew et al.

(10) **Patent No.:** **US D739,781 S**

(45) **Date of Patent:** **** Sep. 29, 2015**

(54) **PLANTER**

(71) Applicant: **The HC Companies, Inc.**, Twinsburg, OH (US)

(72) Inventors: **Doug Pettigrew**, Wilsonville (CA); **Margot Beesley**, Akron, OH (US); **Mari Lyn Bushnell**, Stillman Valley, IL (US)

(73) Assignee: **The HC Companies, Inc.**, Twinsburg, OH (US)

(**) Term: **14 Years**

(21) Appl. No.: **29/488,549**

(22) Filed: **Apr. 21, 2014**

(51) **LOC (10) Cl.** **11-02**

(52) **U.S. Cl.**
USPC **D11/152**

(58) **Field of Classification Search**
USPC D6/403-405; D7/586, 587; D9/424, D9/428, 429, 642; D11/143-156, 164
CPC A01G 9/00; A01G 9/02; A01G 9/021; A01G 9/022; A01G 9/024; A01G 9/025; A01G 9/026; A01G 9/10; A01G 9/104; A01G 9/027; A01G 9/028
See application file for complete search history.

(56) **References Cited**

U.S. PATENT DOCUMENTS

879,753	A *	2/1908	Eckert	220/8
D125,058	S *	2/1941	Ratner	D11/152
3,307,602	A *	3/1967	Boster	220/254.7
D230,760	S *	3/1974	Wilkinson	D11/148
3,949,524	A *	4/1976	Mickelson	47/79
D247,548	S *	3/1978	Crary	D9/428

D312,400	S *	11/1990	Schwaikert	D9/424
D322,047	S *	12/1991	Wolfenden	D11/153
D331,549	S *	12/1992	Embree	D11/153
D382,512	S *	8/1997	Hulsebus	D11/152
6,339,899	B1 *	1/2002	Lehmann	47/65.5
D505,882	S *	6/2005	Hensen	D11/152
D536,277	S *	2/2007	Cabeza	D11/152
D606,452	S *	12/2009	White	D11/153
D606,454	S *	12/2009	White	D11/153
7,886,484	B1 *	2/2011	Chen	47/65.5
D636,699	S *	4/2011	White	D11/148
D636,700	S *	4/2011	White	D11/148
D636,703	S *	4/2011	White	D11/152
8,556,099	B2 *	10/2013	Perlman	220/8
D713,756	S *	9/2014	Thuma et al.	D11/152
D717,202	S *	11/2014	Thuma et al.	D11/152

* cited by examiner

Primary Examiner — Elizabeth Albert

(74) *Attorney, Agent, or Firm* — Haynes and Boone, LLP

(57) **CLAIM**

What is claimed is the ornamental design for a planter, as shown and described.

DESCRIPTION

FIG. 1 is a perspective view of a planter showing a new design;

FIG. 2 is a front view of the planter of FIG. 1;

FIG. 3 is a rear view of the planter of FIG. 1;

FIG. 4 is a right side view of the planter of FIG. 1;

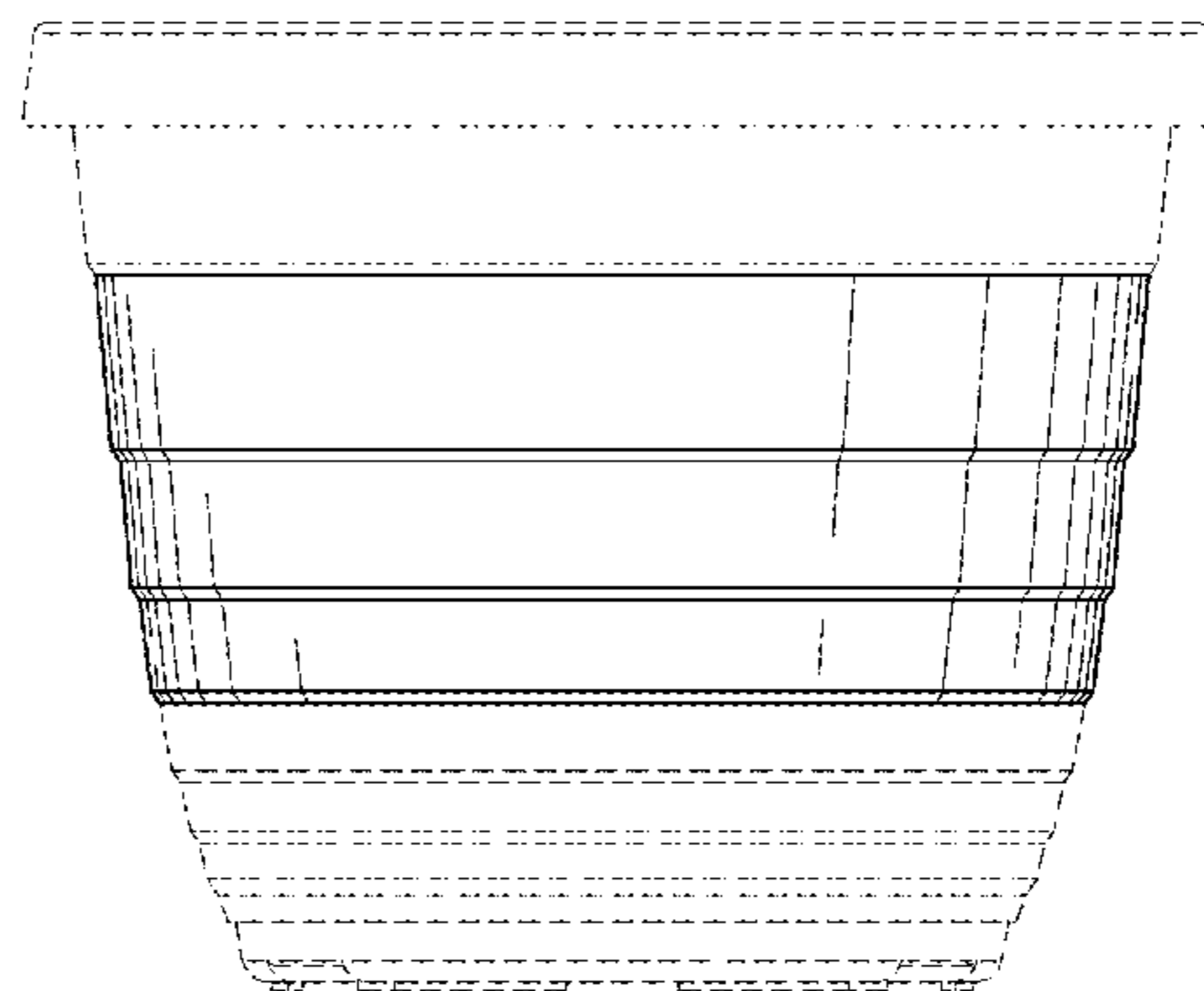
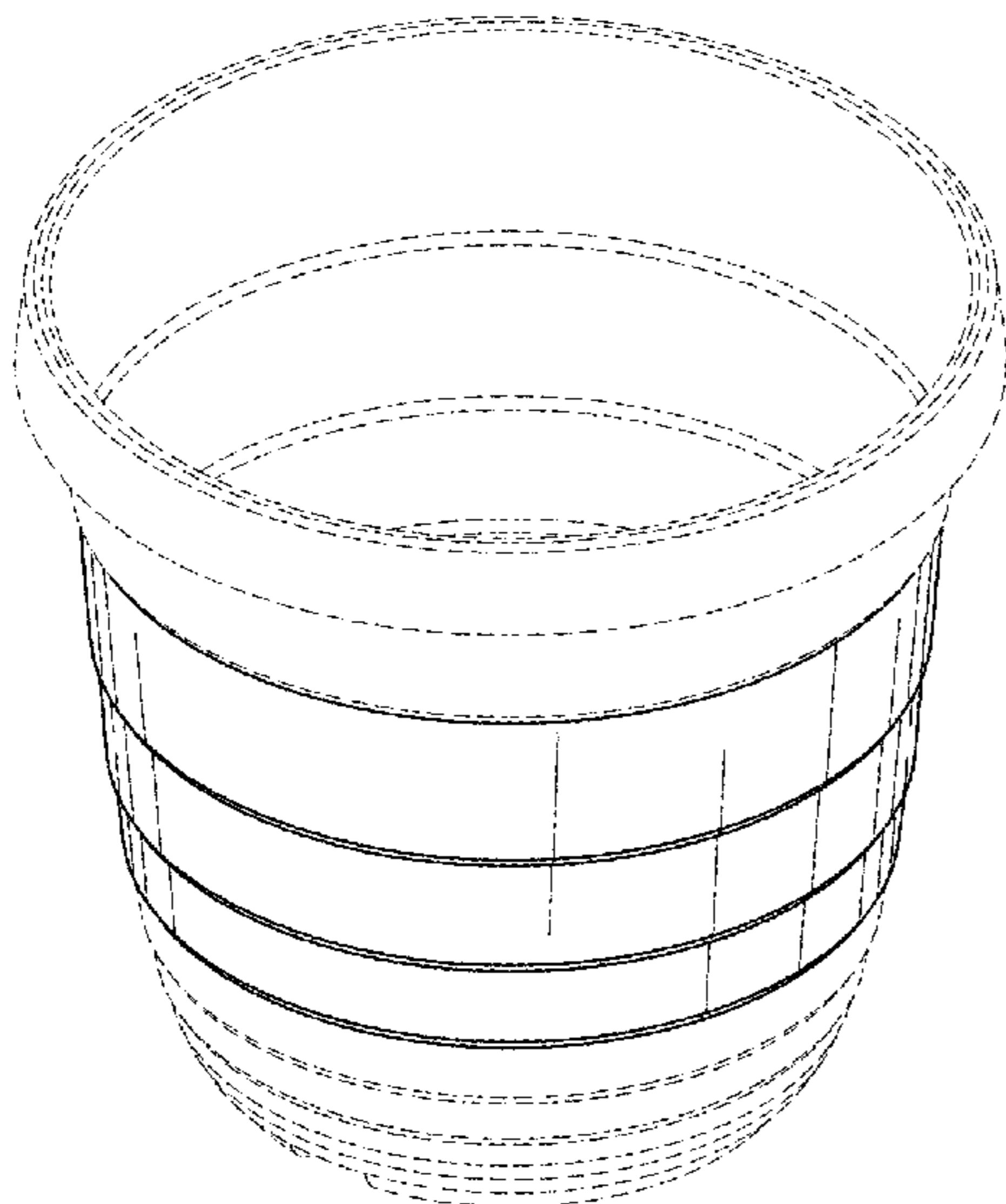
FIG. 5 is a left side view of the planter of FIG. 1;

FIG. 6 is a top view of the planter of FIG. 1; and,

FIG. 7 is a bottom view of the planter of FIG. 1.

The portions shown in broken lines are included for the purpose of showing features that form no part of the claimed design.

1 Claim, 4 Drawing Sheets



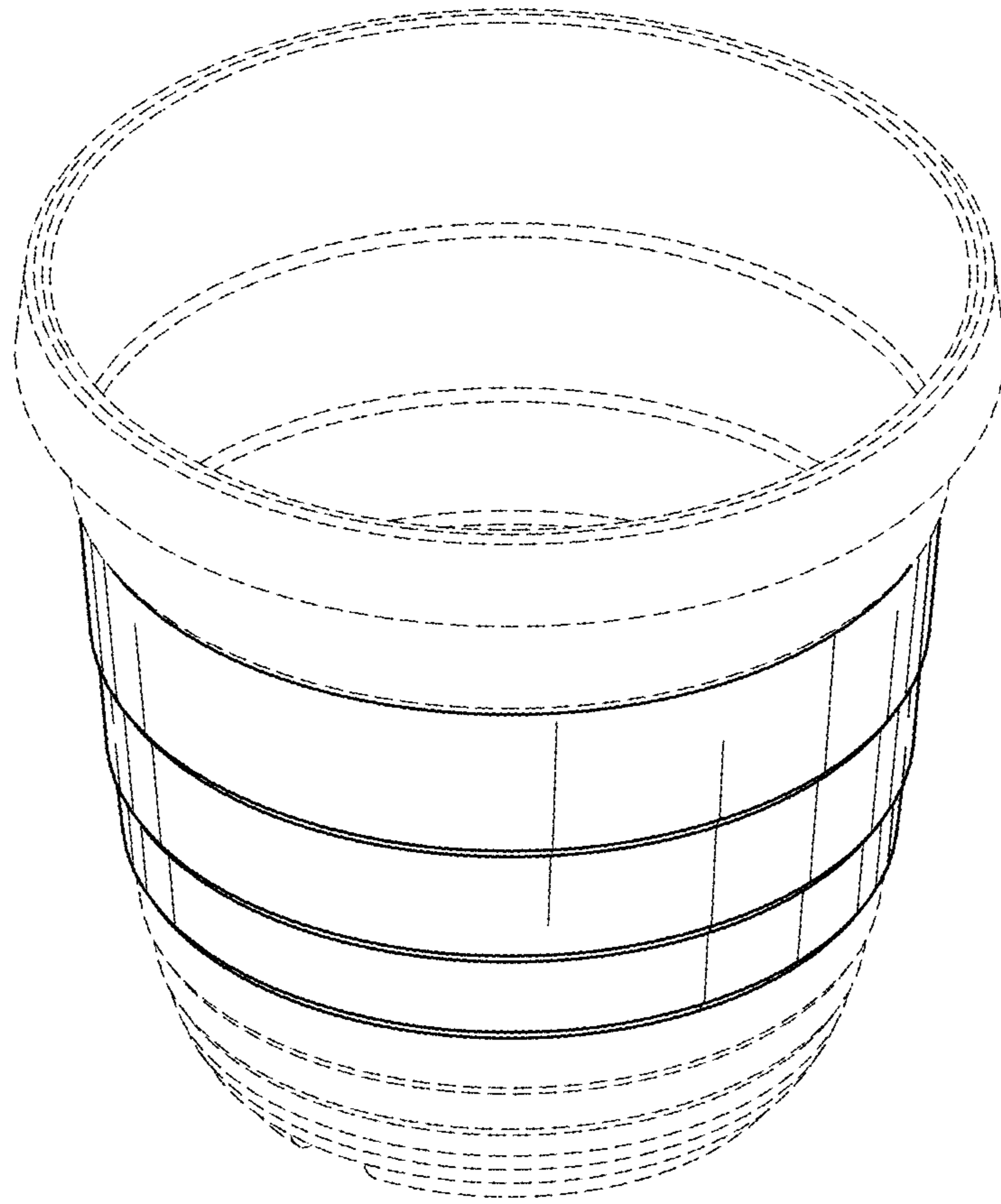


Fig. 1

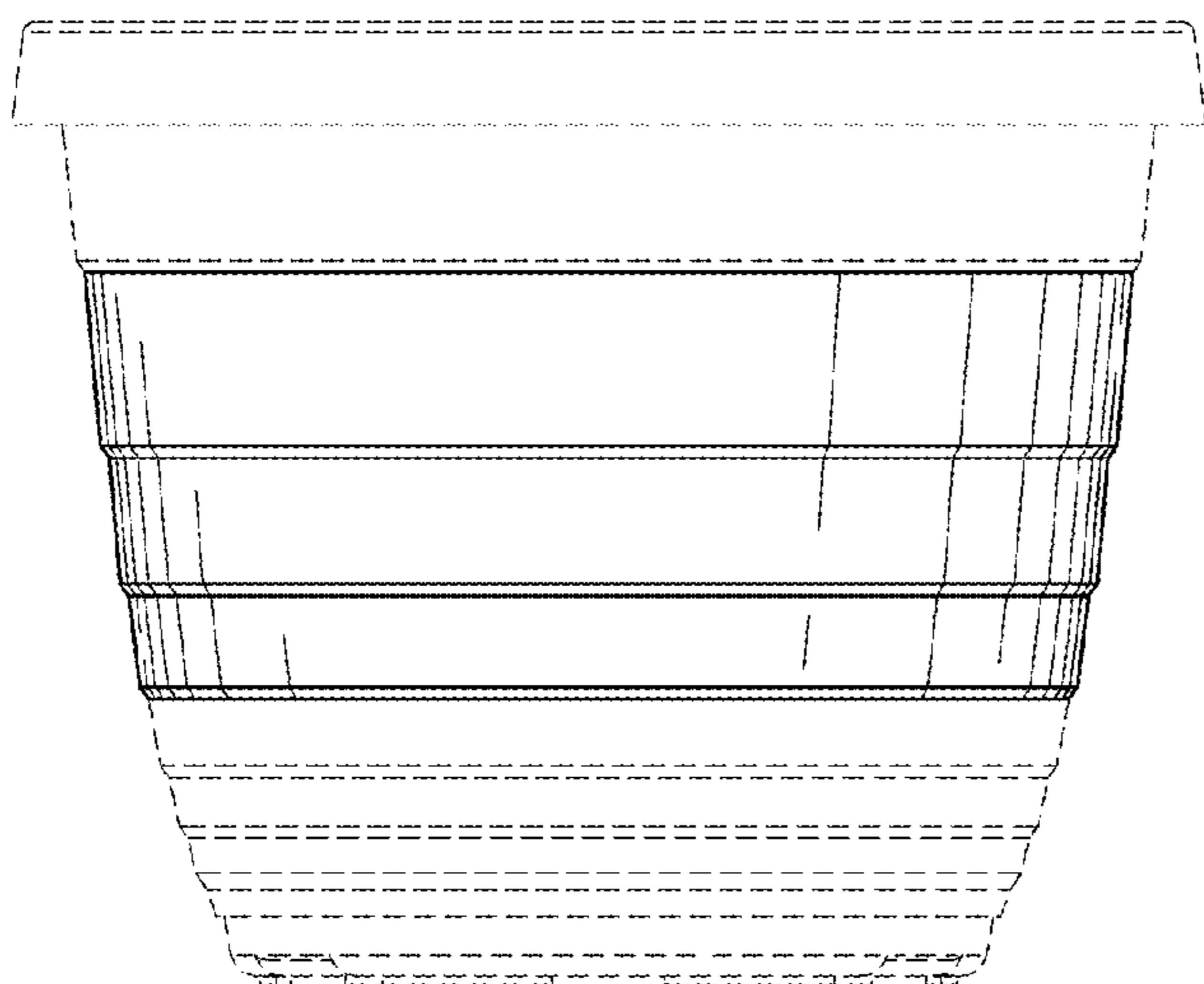


Fig. 2

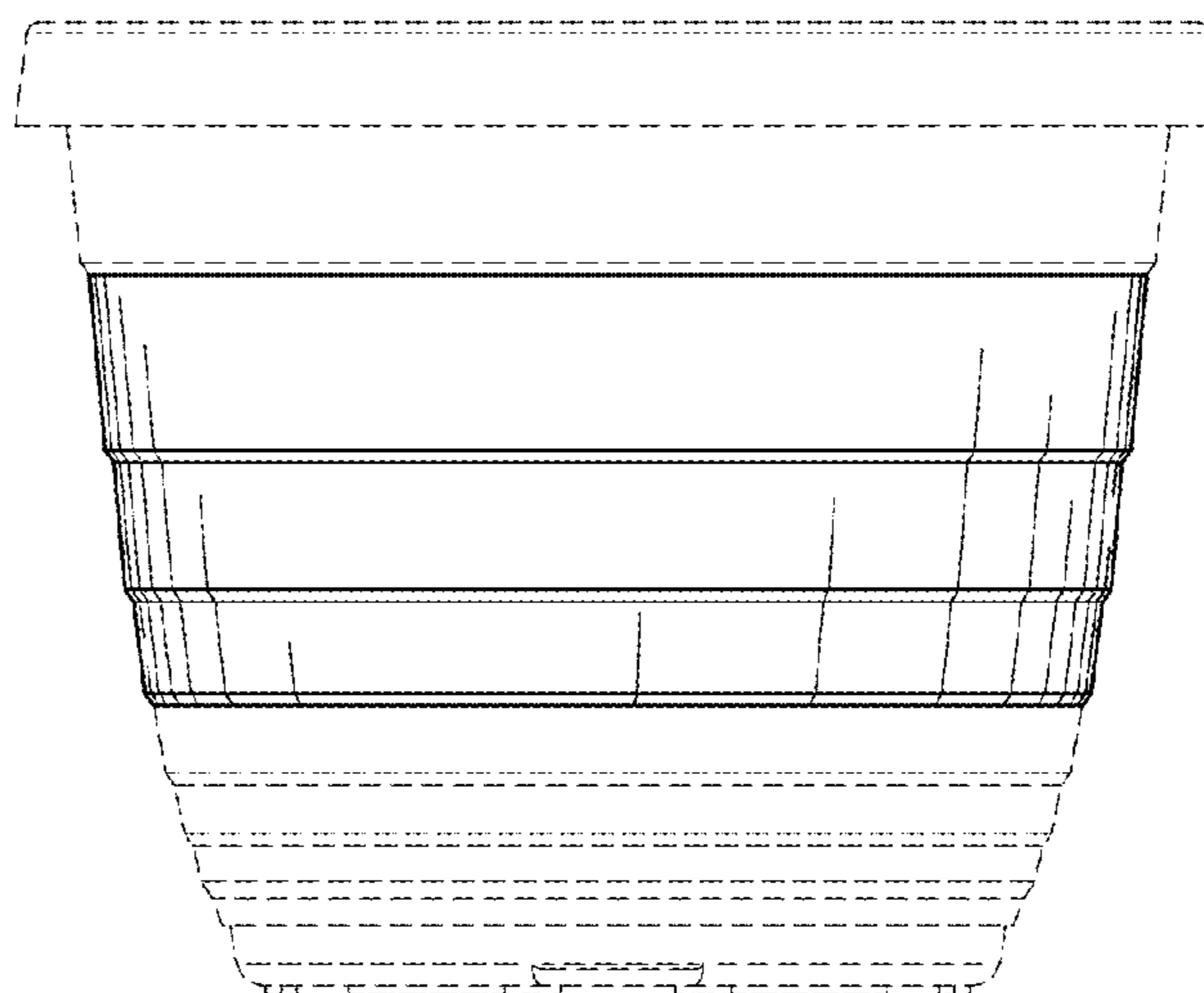


Fig. 3

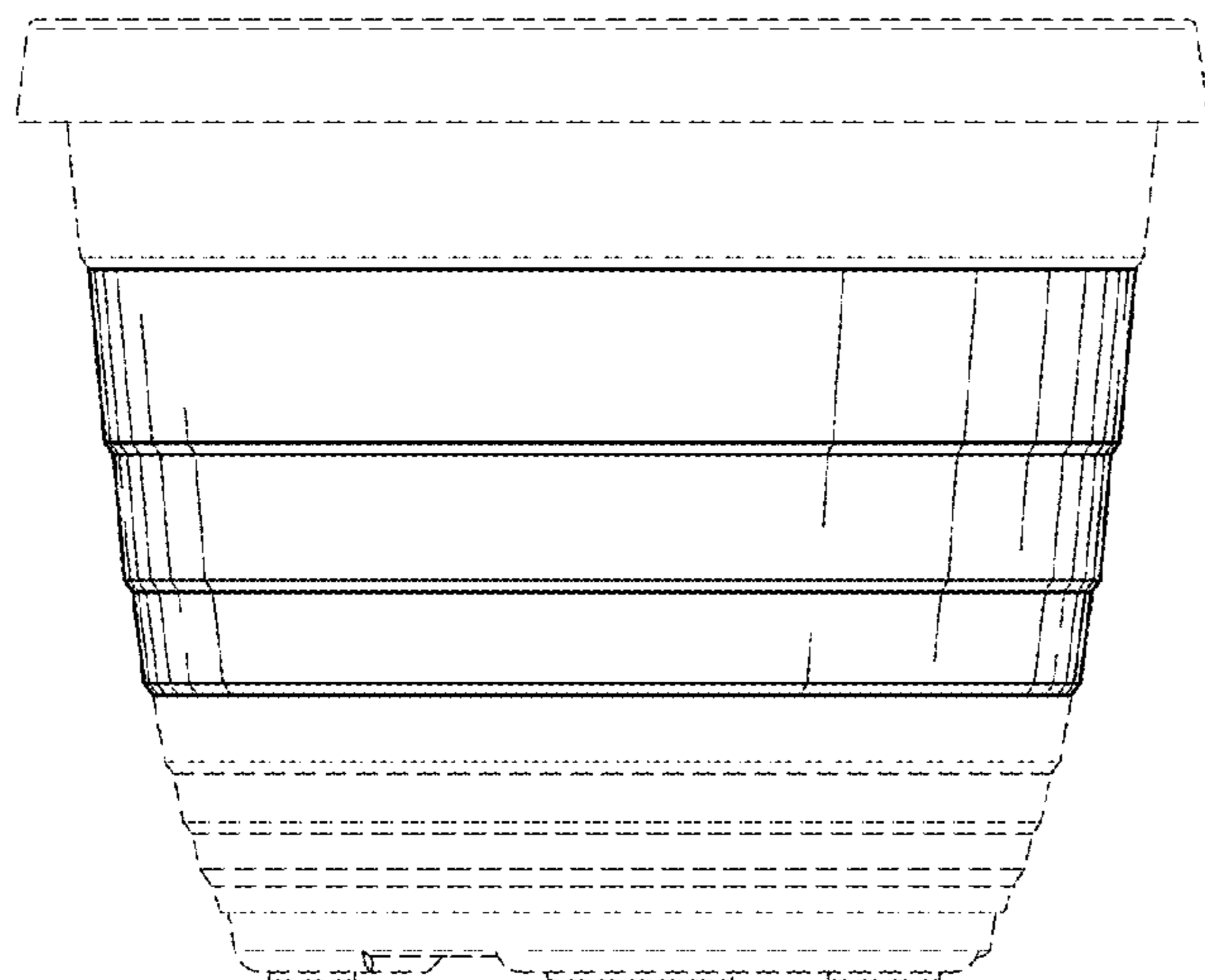


Fig. 4

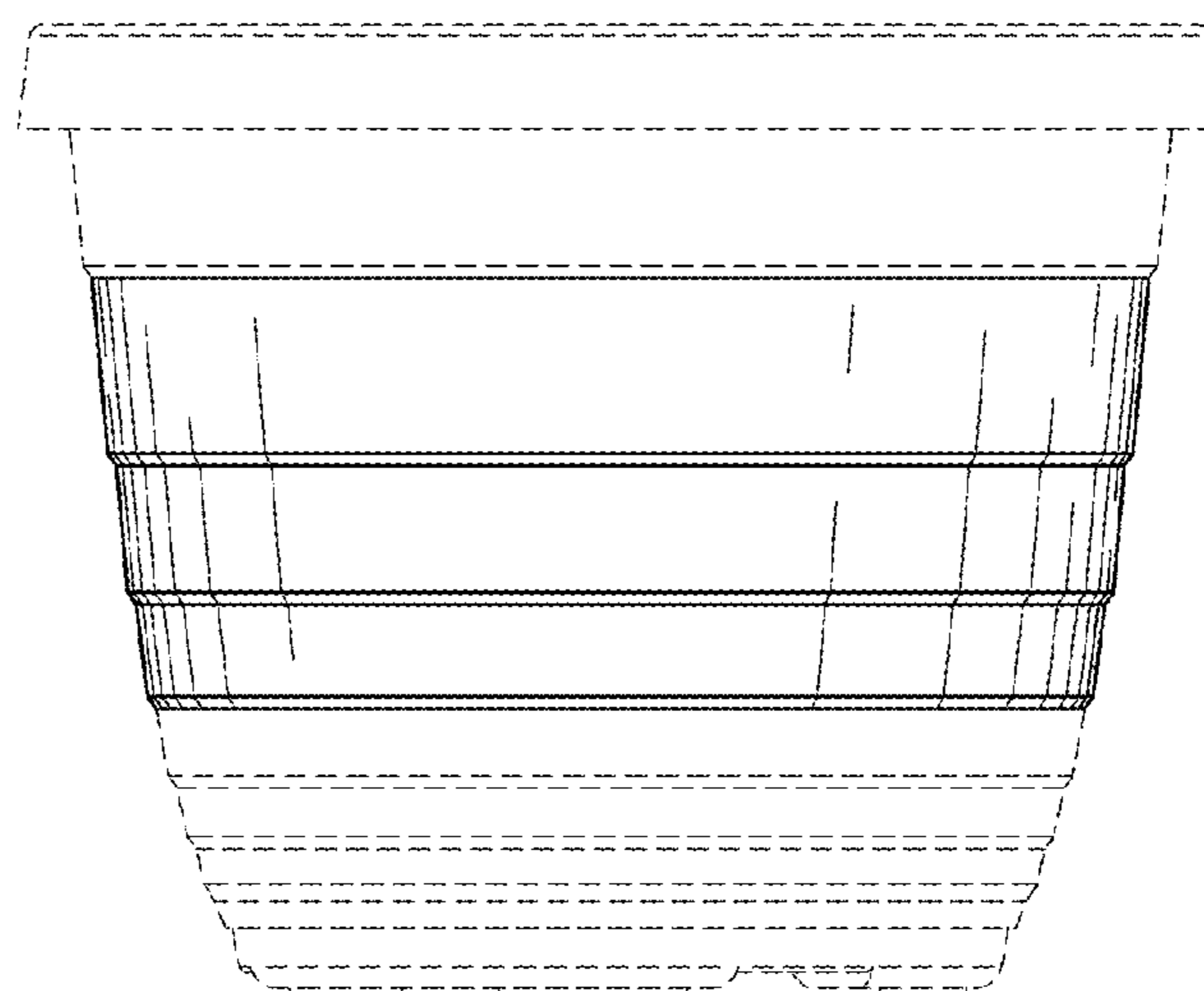


Fig. 5

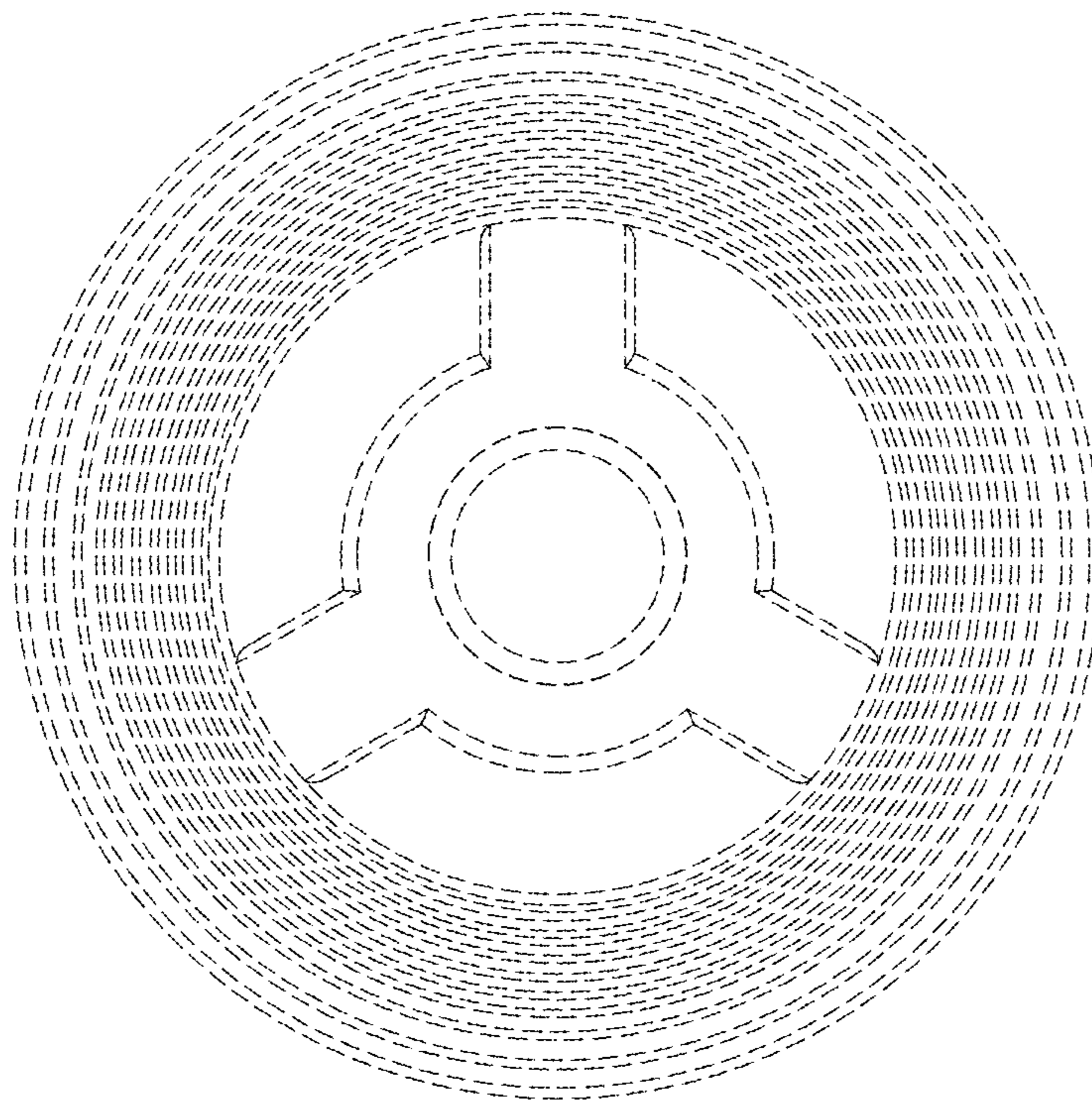


Fig. 6

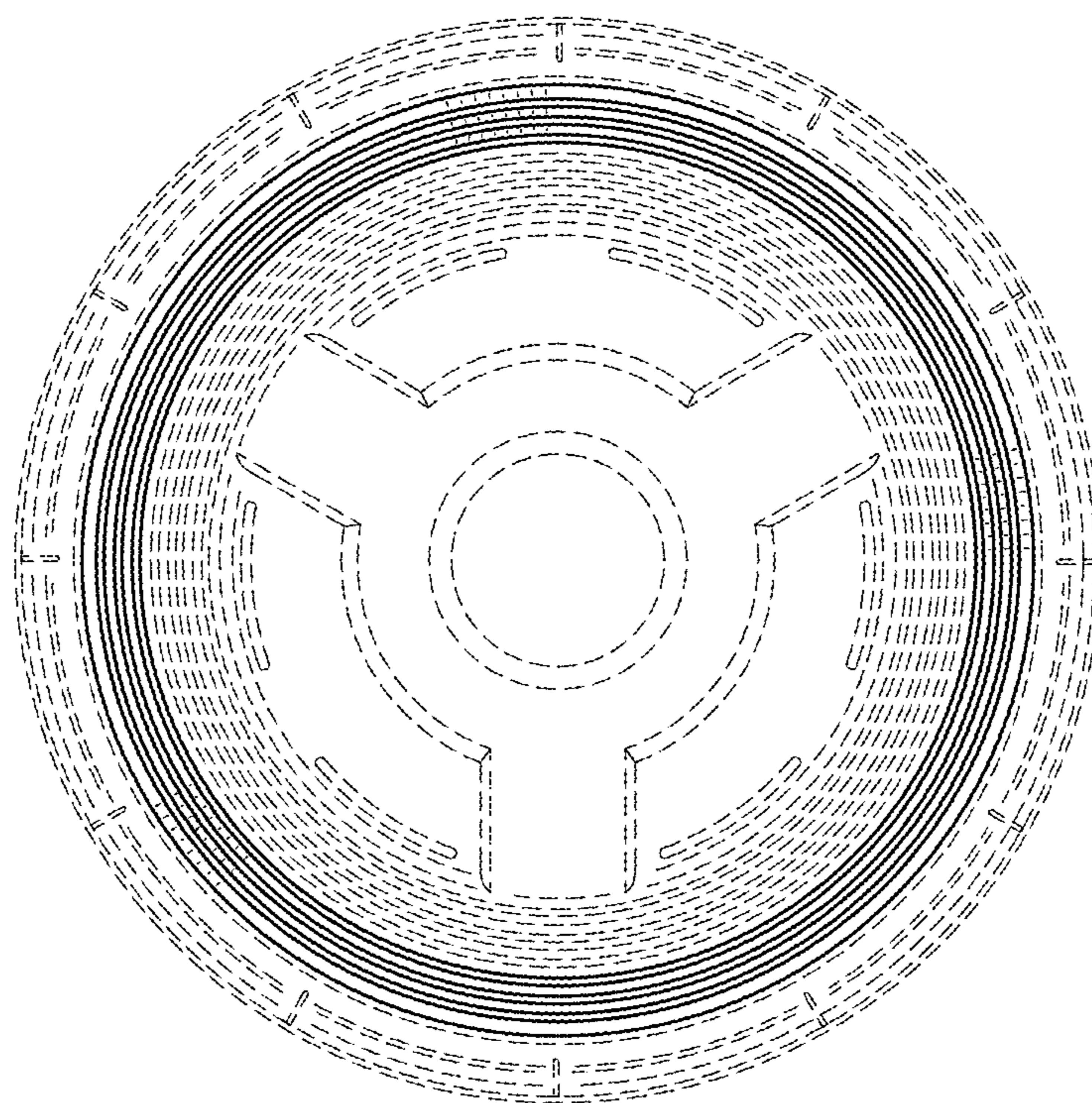


Fig. 7