



US00D739778S

(12) **United States Design Patent**  
**Vu et al.**

(10) **Patent No.:** **US D739,778 S**

(45) **Date of Patent:** **\*\* Sep. 29, 2015**

(54) **ACTIVITY MONITORING DEVICE**

(71) Applicant: **Misfit Wearables Corporation**, Salem, NH (US)

(72) Inventors: **Sonny X. Vu**, Salem, NH (US);  
**Matthew Ryan Montgomery**, Palo Alto, CA (US); **Jessica Ng Sheung-Yan**, San Francisco, CA (US)

(73) Assignee: **Misfit Wearables Corporation**, Salem, NH (US)

(\*\*) Term: **14 Years**

(21) Appl. No.: **29/517,443**

(22) Filed: **Feb. 12, 2015**

**Related U.S. Application Data**

(60) Continuation of application No. 29/504,667, filed on Oct. 8, 2014, which is a division of application No. 29/461,314, filed on Jul. 22, 2013, now Pat. No. Des. 717,674.

(51) **LOC (10) Cl.** ..... **10-04**

(52) **U.S. Cl.**  
USPC ..... **D10/103**; D10/126

(58) **Field of Classification Search**  
USPC ..... D10/30-39, 65, 70, 97, 98, 102, 103, D10/122-124, 126, 128; D11/3, 79-81, 85; D14/138 R, 203.5, 203.6, 341, 344, D14/347; D24/167, 168

CPC ..... A44C 5/00-5/16; G04B 37/00-37/228; G04B 45/0069; G04B 47/04; G04B 19/00-19/34; G04B 21/12; G04B 23/12; G04B 47/00-47/068; G01C 17/00; G01C 21/00-21/3697

See application file for complete search history.

(56) **References Cited**

U.S. PATENT DOCUMENTS

3,744,236 A \* 7/1973 Kishida ..... 368/226  
D246,104 S \* 10/1977 Vong ..... D14/192

(Continued)

*Primary Examiner* — Antoine D Davis

(74) *Attorney, Agent, or Firm* — Cooley LLP

(57) **CLAIM**

The ornamental design for an activity monitoring device, as shown and described.

**DESCRIPTION**

FIG. 1 is a top perspective view of a first embodiment thereof; FIG. 2 is a bottom perspective view of the first embodiment thereof;

FIG. 3 is a top view of the first embodiment thereof;

FIG. 4 is a bottom view of the first embodiment thereof;

FIG. 5 is a left side view of the first embodiment thereof;

FIG. 6 is a right side view of the first embodiment thereof;

FIG. 7 is a back view of the first embodiment thereof;

FIG. 8 is a front view of the first embodiment thereof;

FIG. 9 is a top perspective view of a second embodiment;

FIG. 10 is a bottom perspective view of the second embodiment;

FIG. 11 is a top view of the second embodiment;

FIG. 12 is a bottom view of the second embodiment;

FIG. 13 is a left side view of the second embodiment;

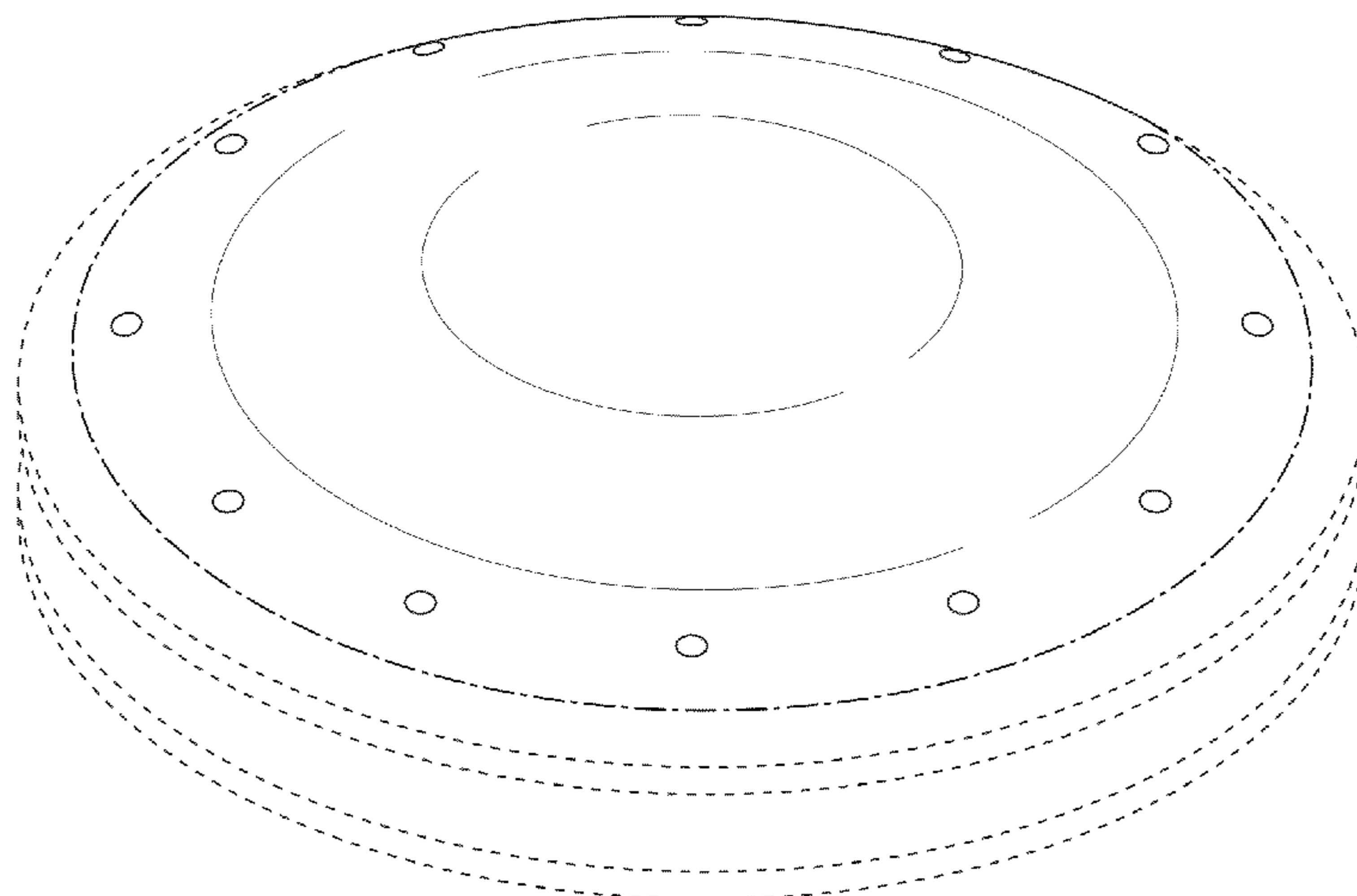
FIG. 14 is a right side view of the second embodiment;

FIG. 15 is a back view of the second embodiment; and,

FIG. 16 is a front view of the second embodiment.

The broken lines immediately adjacent the shaded areas represent the bounds of the claimed design while all other broken lines are directed to environment and are for illustrative purposes only; the broken lines form no part of the claimed design.

**1 Claim, 12 Drawing Sheets**



(56)

**References Cited**

U.S. PATENT DOCUMENTS

D249,874 S *	10/1978	Lawrence	.....	D10/38	7,180,830 B1 *	2/2007	Cotsen	.....	368/80
D349,864 S *	8/1994	Dunlap et al.	.....	D11/3	D596,051 S *	7/2009	Mille	.....	D10/38
D364,099 S *	11/1995	Bergeron	.....	D10/33	8,199,612 B2 *	6/2012	Jolidon	.....	368/223
D417,236 S *	11/1999	Burrus	.....	D19/28	D671,026 S *	11/2012	Thurau	.....	D10/126
6,208,593 B1 *	3/2001	Liao	.....	368/232	8,400,883 B2 *	3/2013	Lin	.....	368/228
D486,090 S *	2/2004	Thomson	.....	D10/123	8,477,567 B2 *	7/2013	Greubel et al.	.....	368/220
7,134,784 B1 *	11/2006	Marin	.....	368/295	D695,145 S *	12/2013	De Belder	.....	D10/126
					D708,073 S *	7/2014	Parmigiani	.....	D10/38
					D709,785 S *	7/2014	Stegmann	.....	D10/126

\* cited by examiner

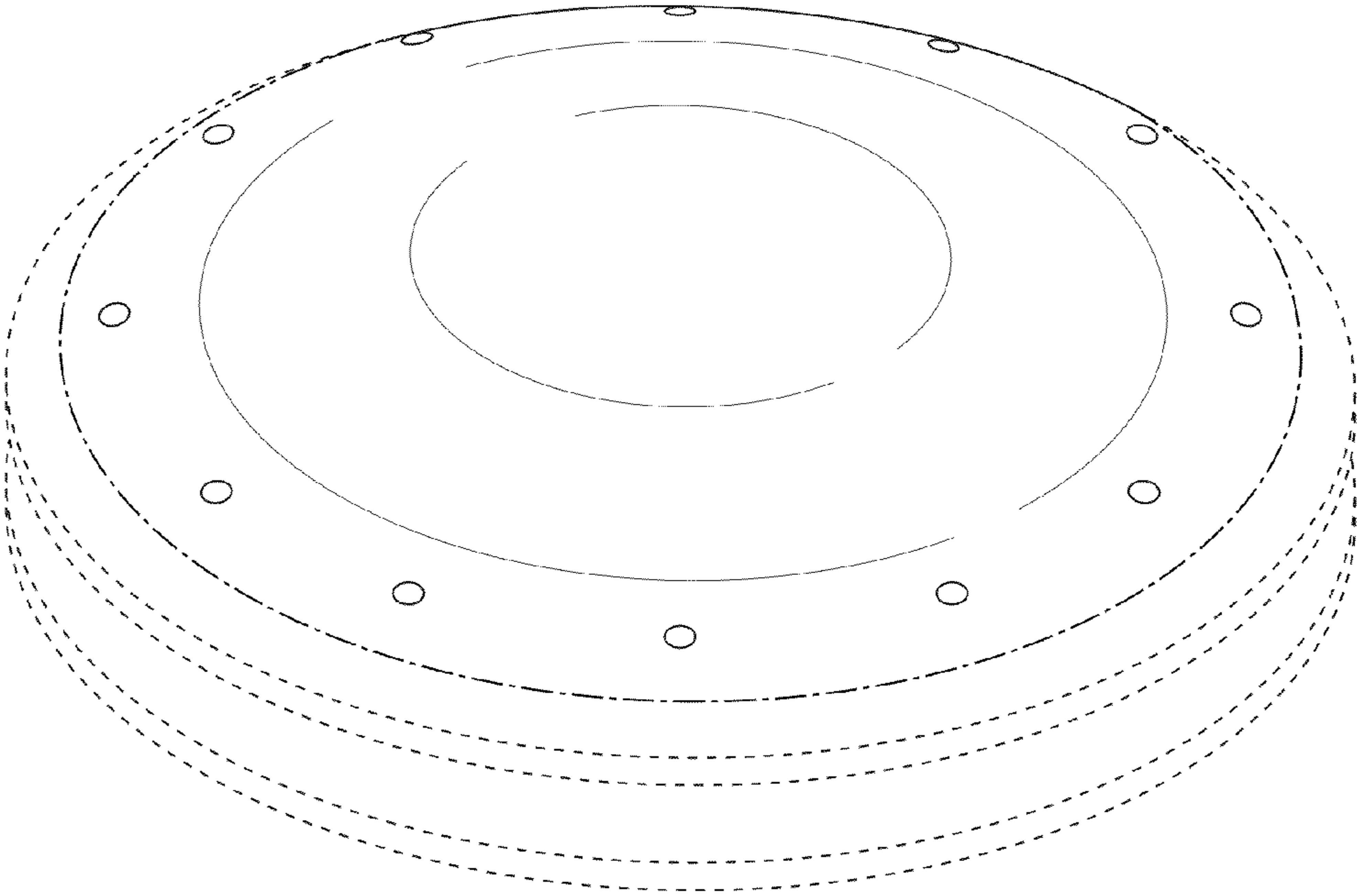


FIG.1

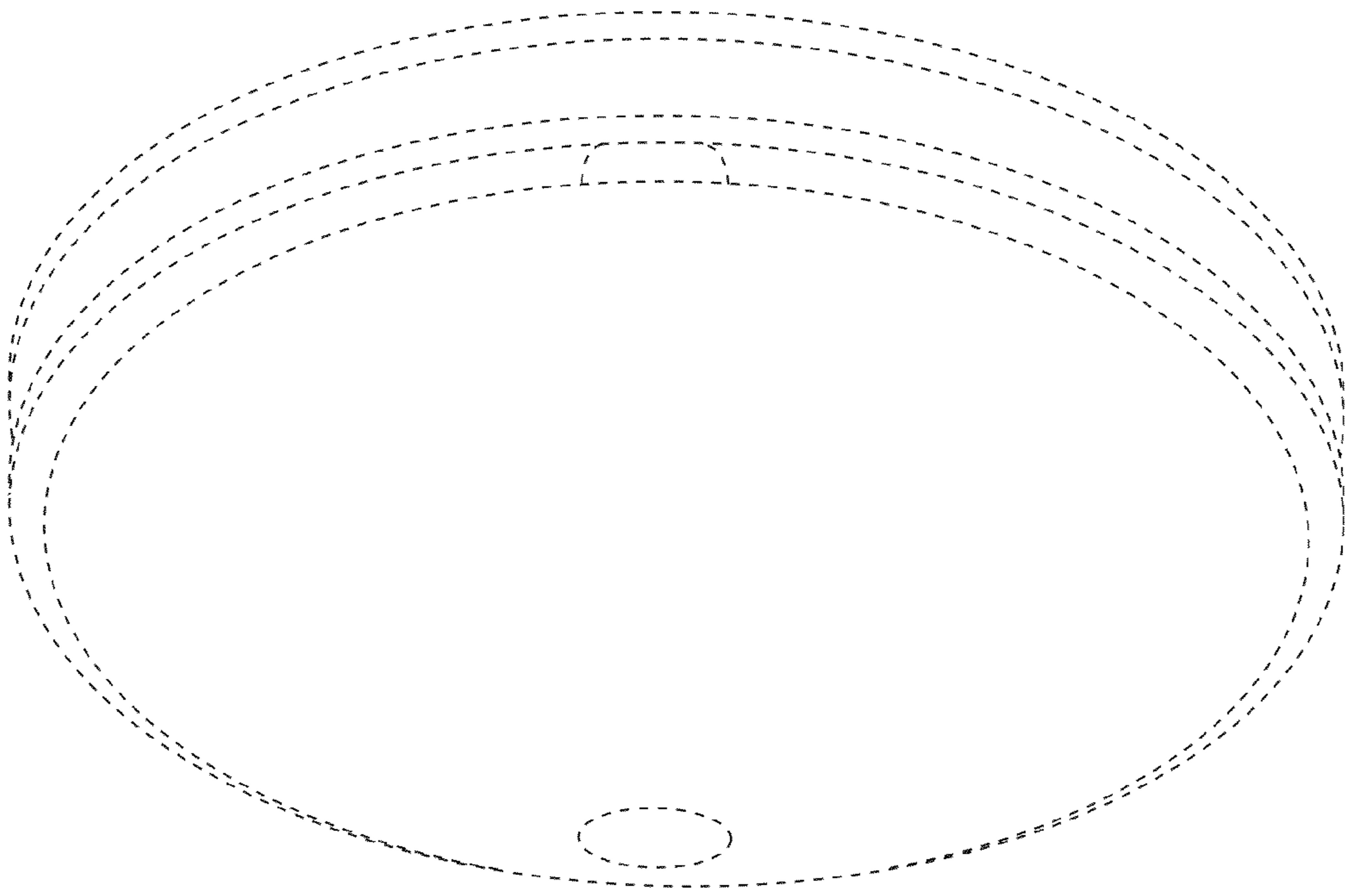


FIG. 2

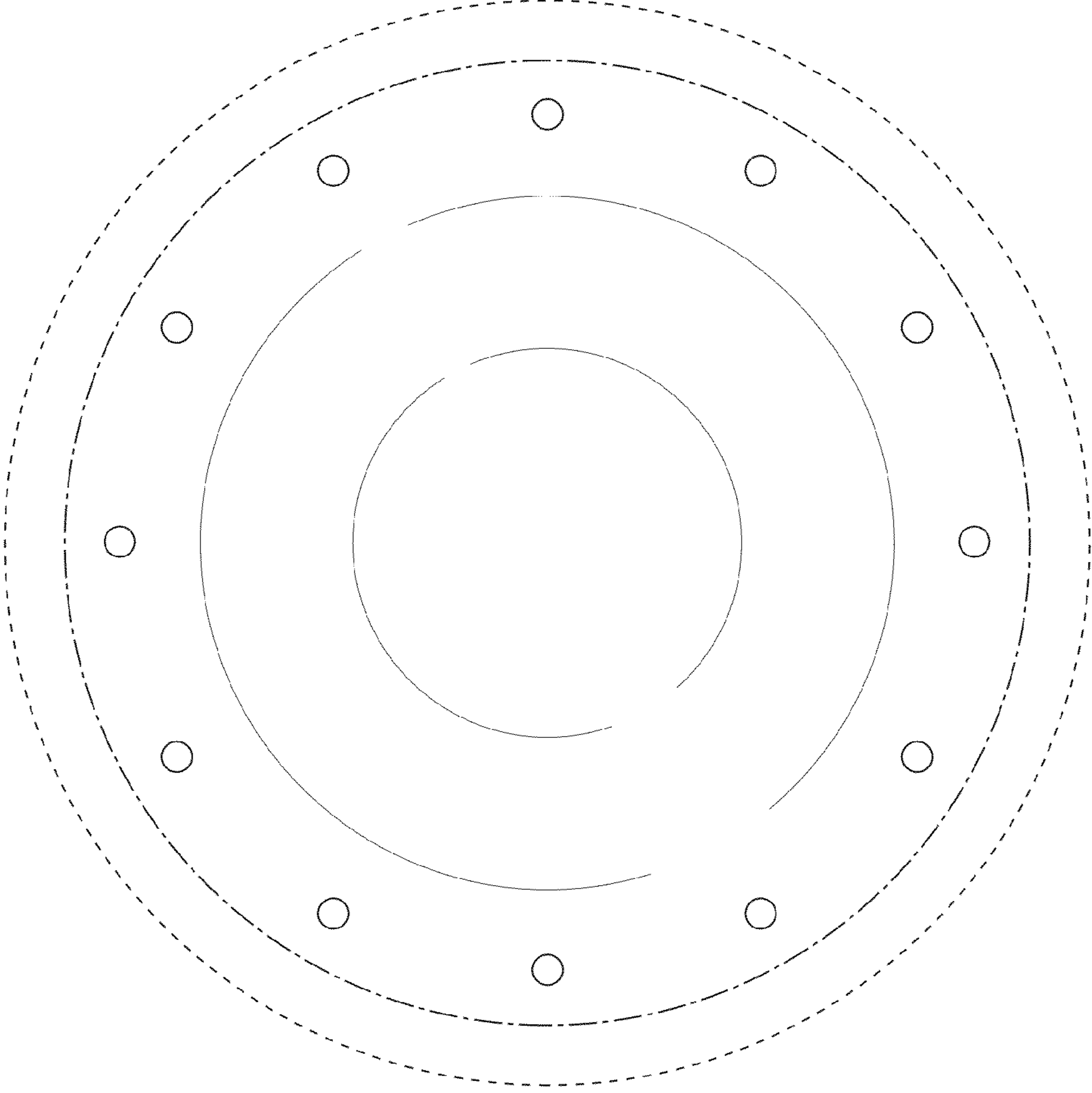


FIG.3

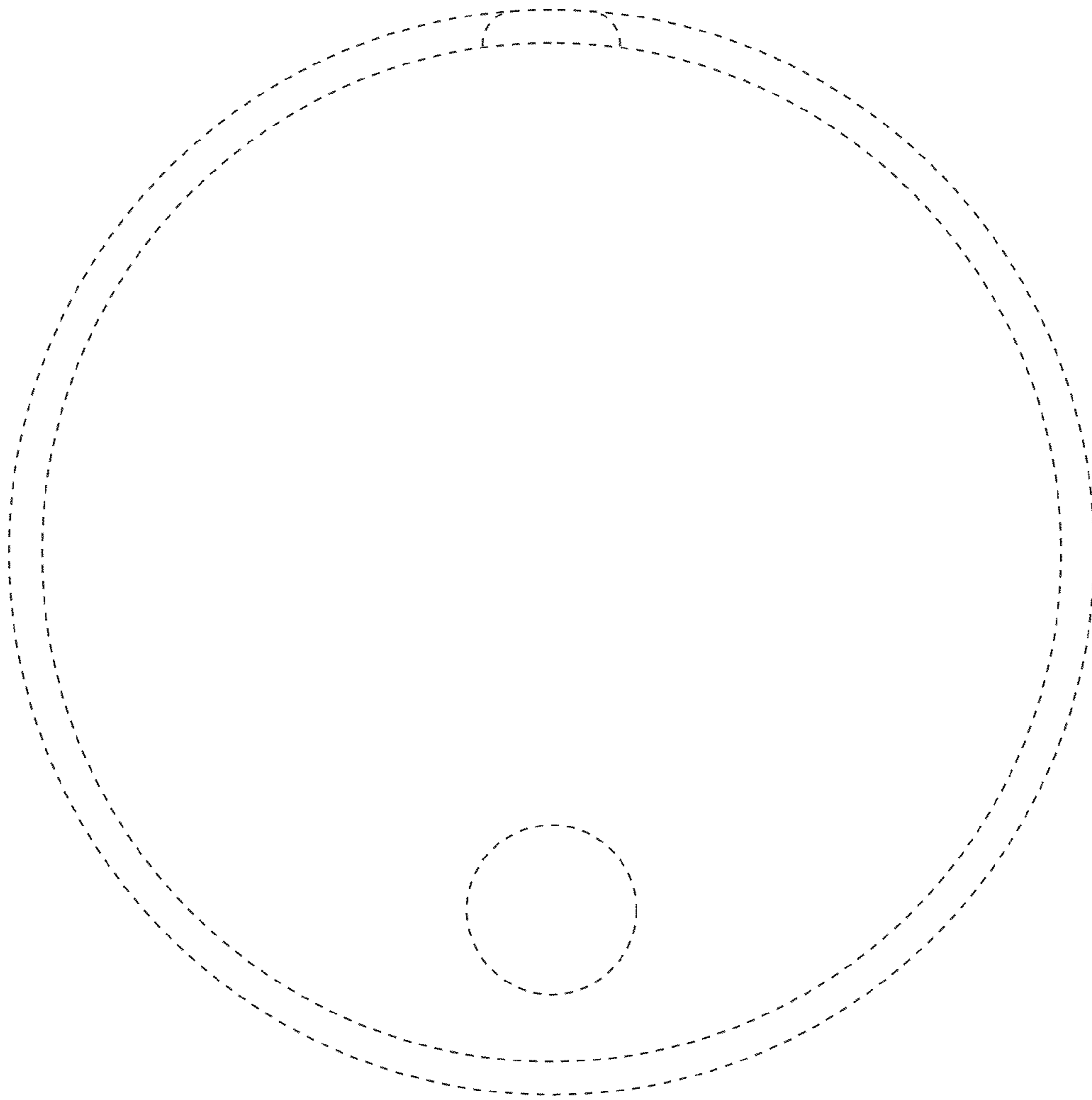


FIG.4

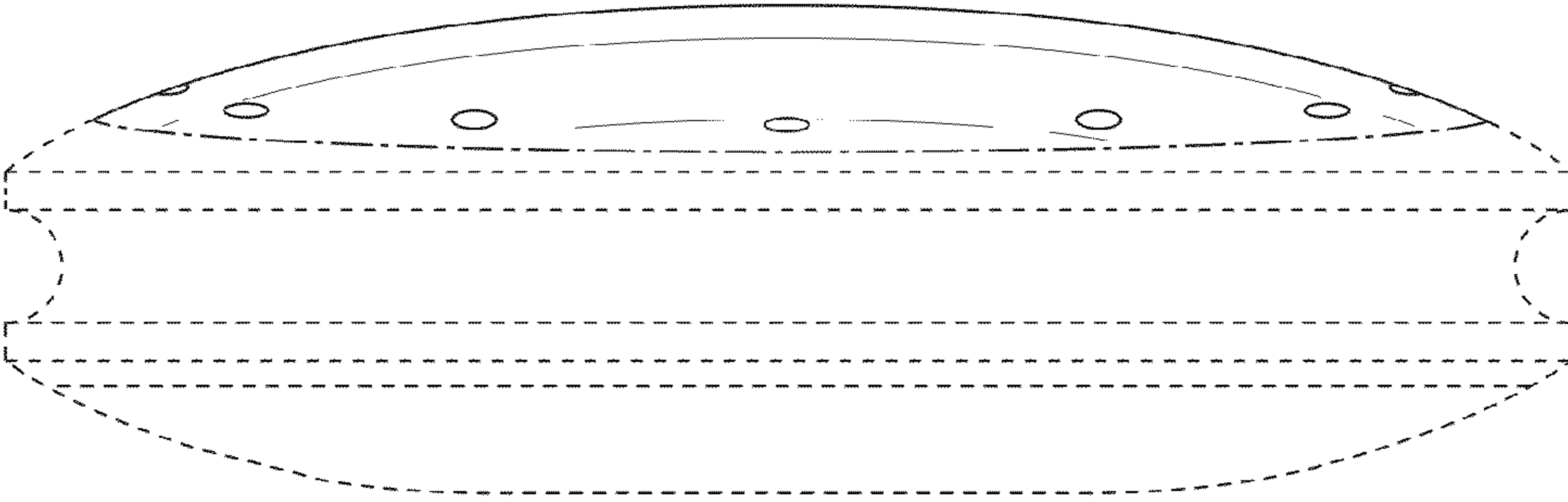


FIG.5

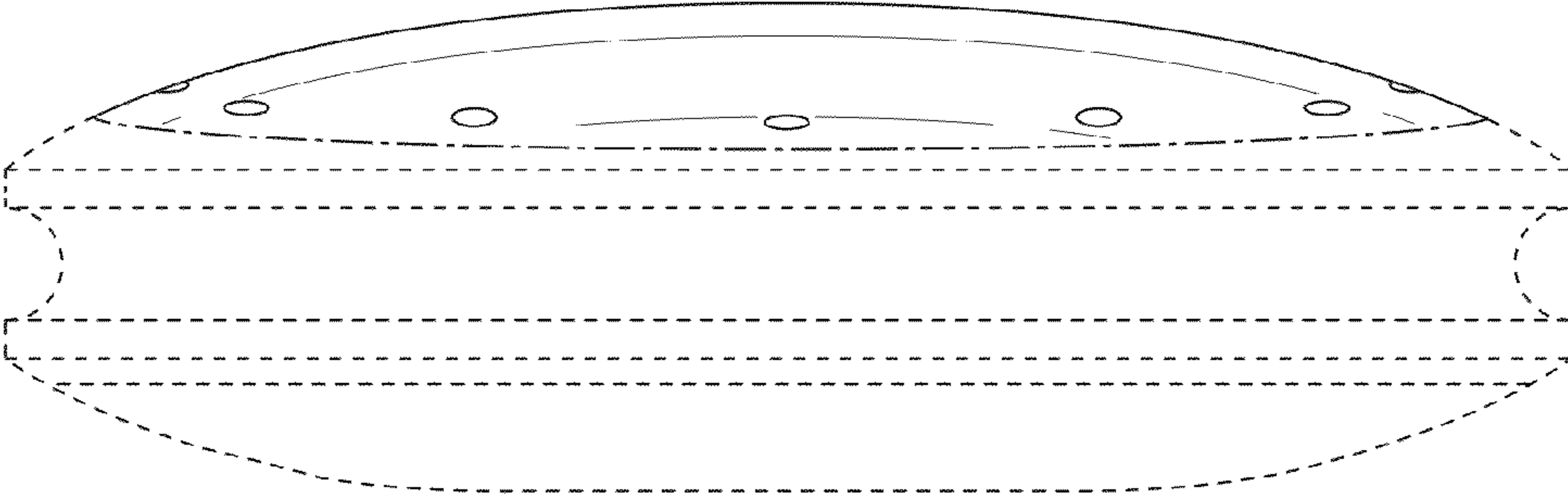


FIG.6

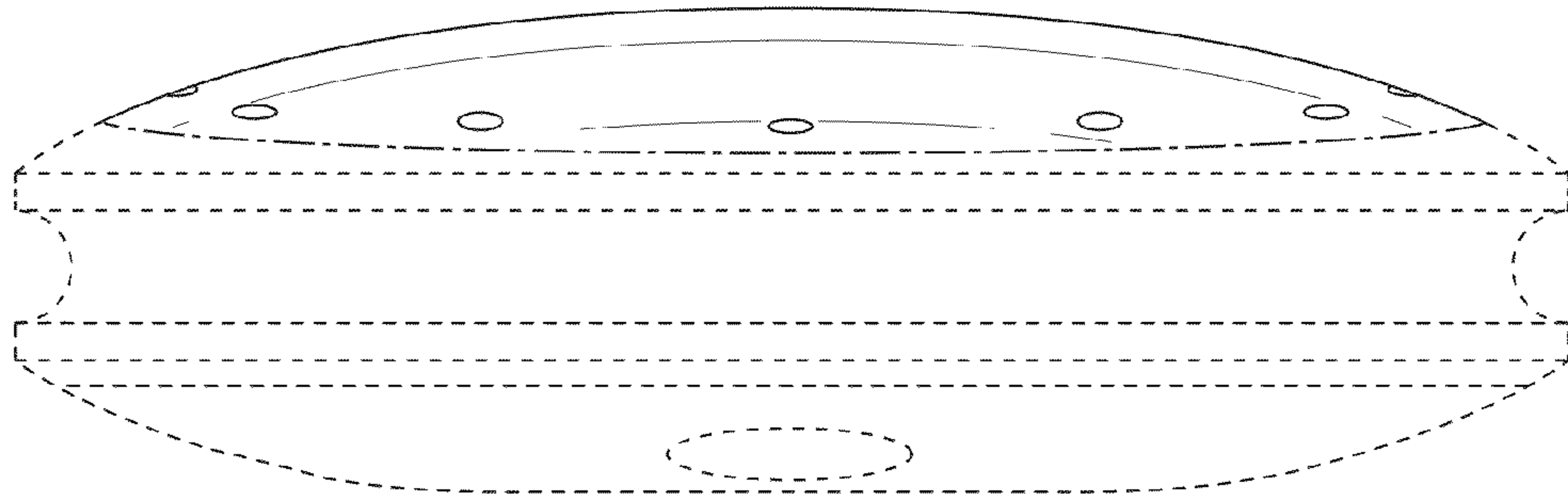


FIG.7

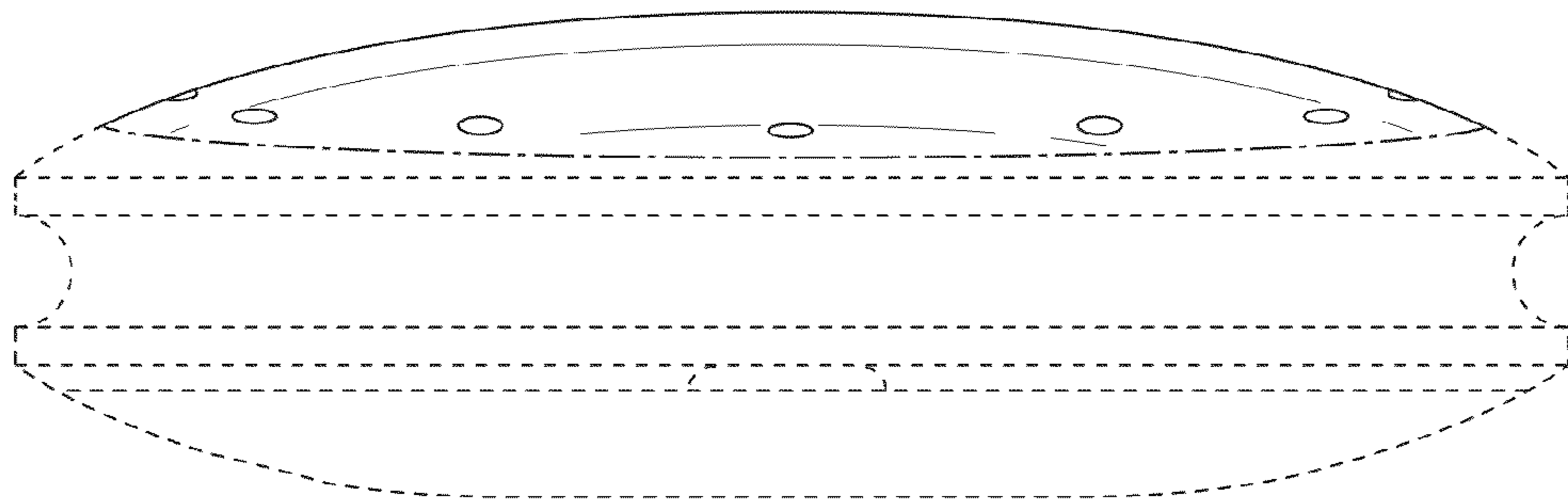


FIG.8



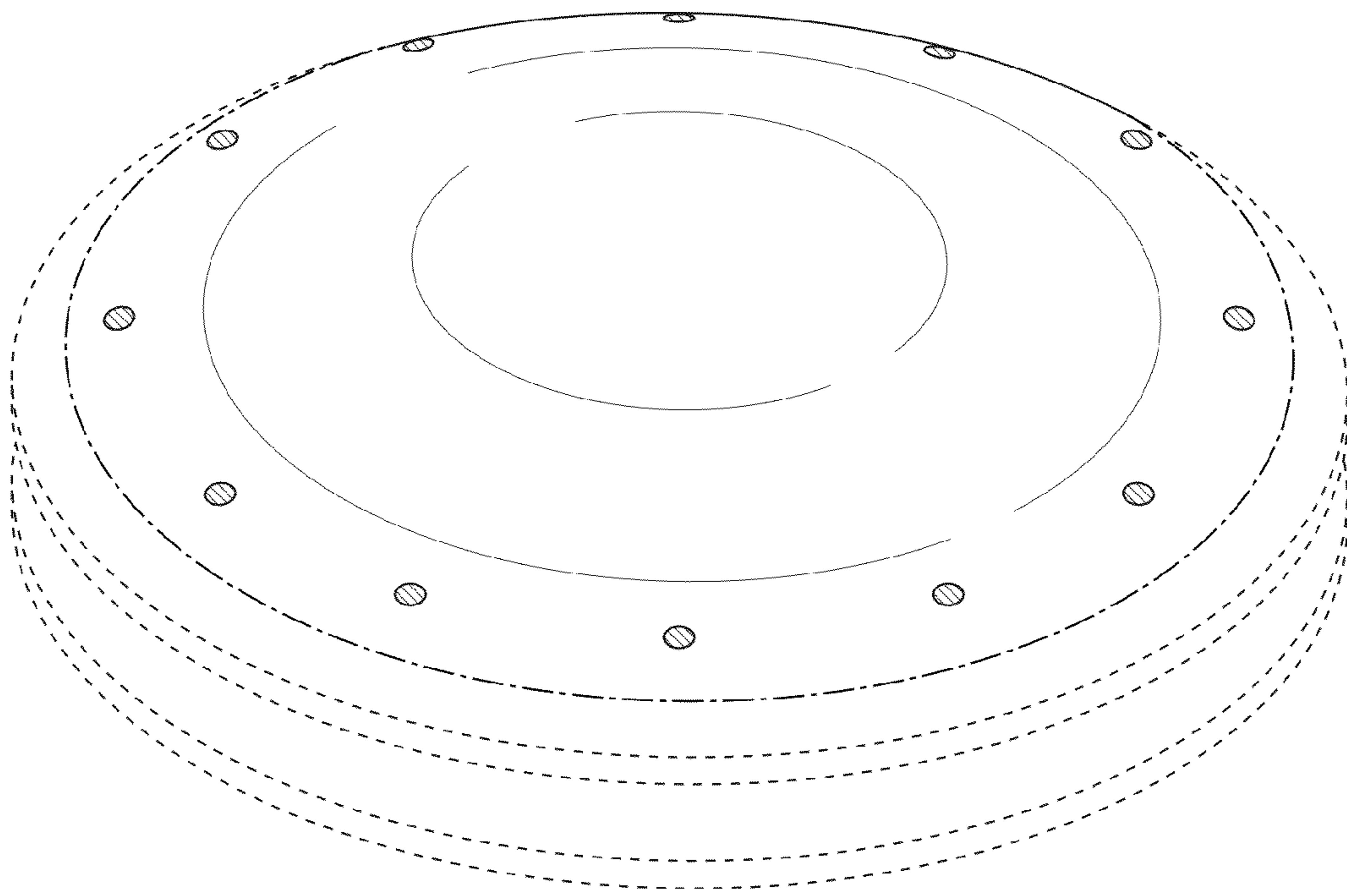


FIG.9

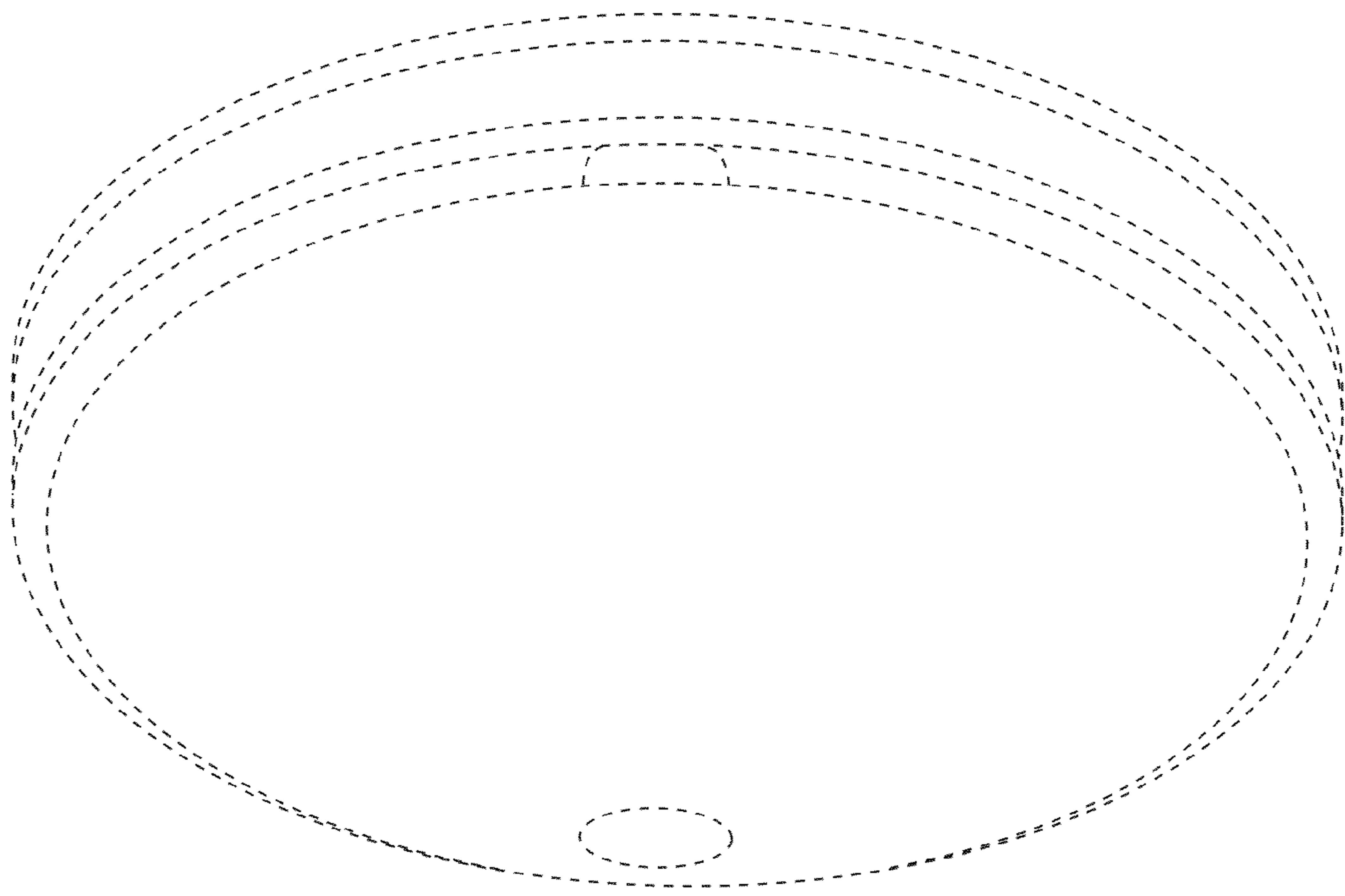


FIG.10

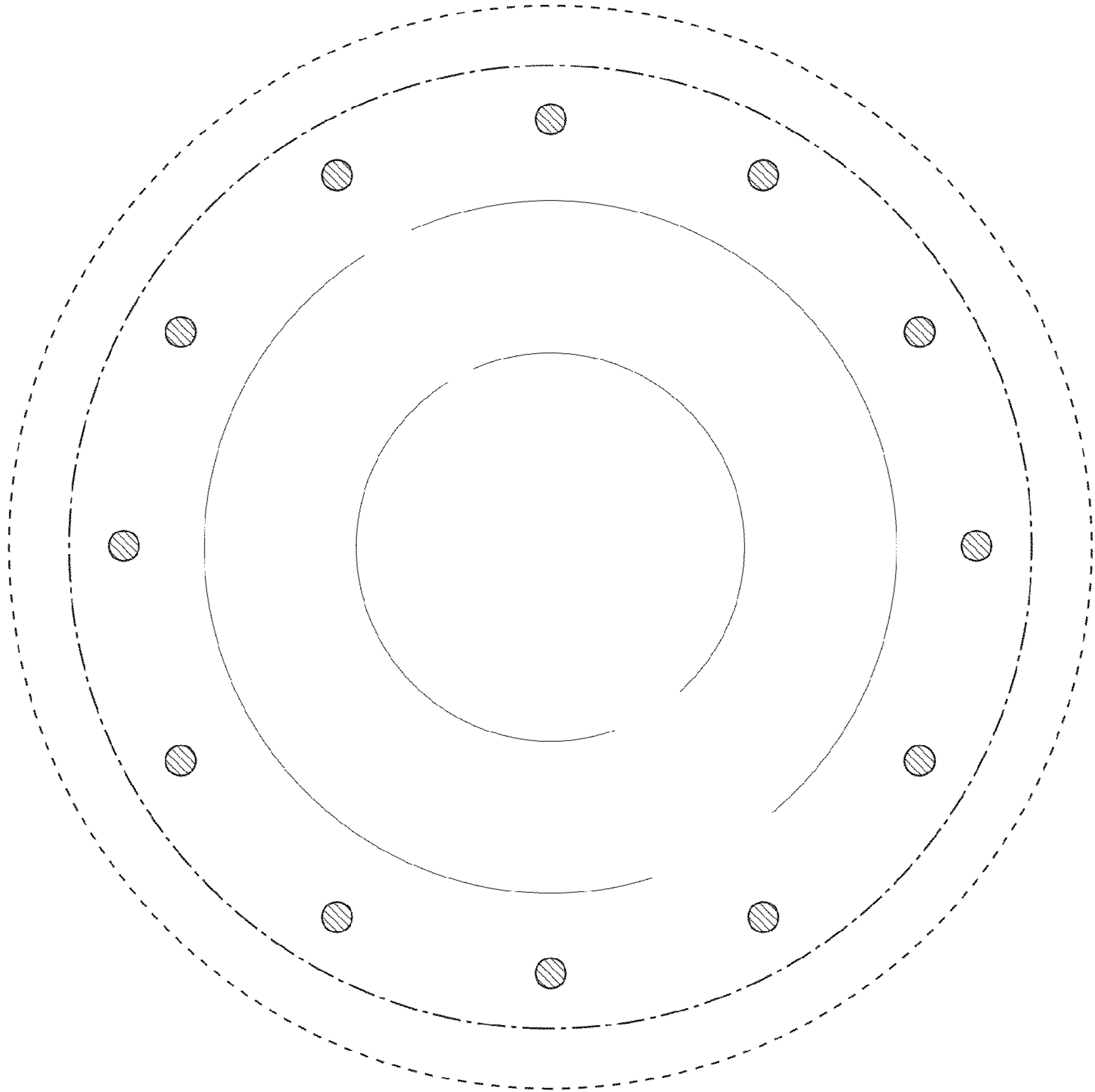


FIG.11

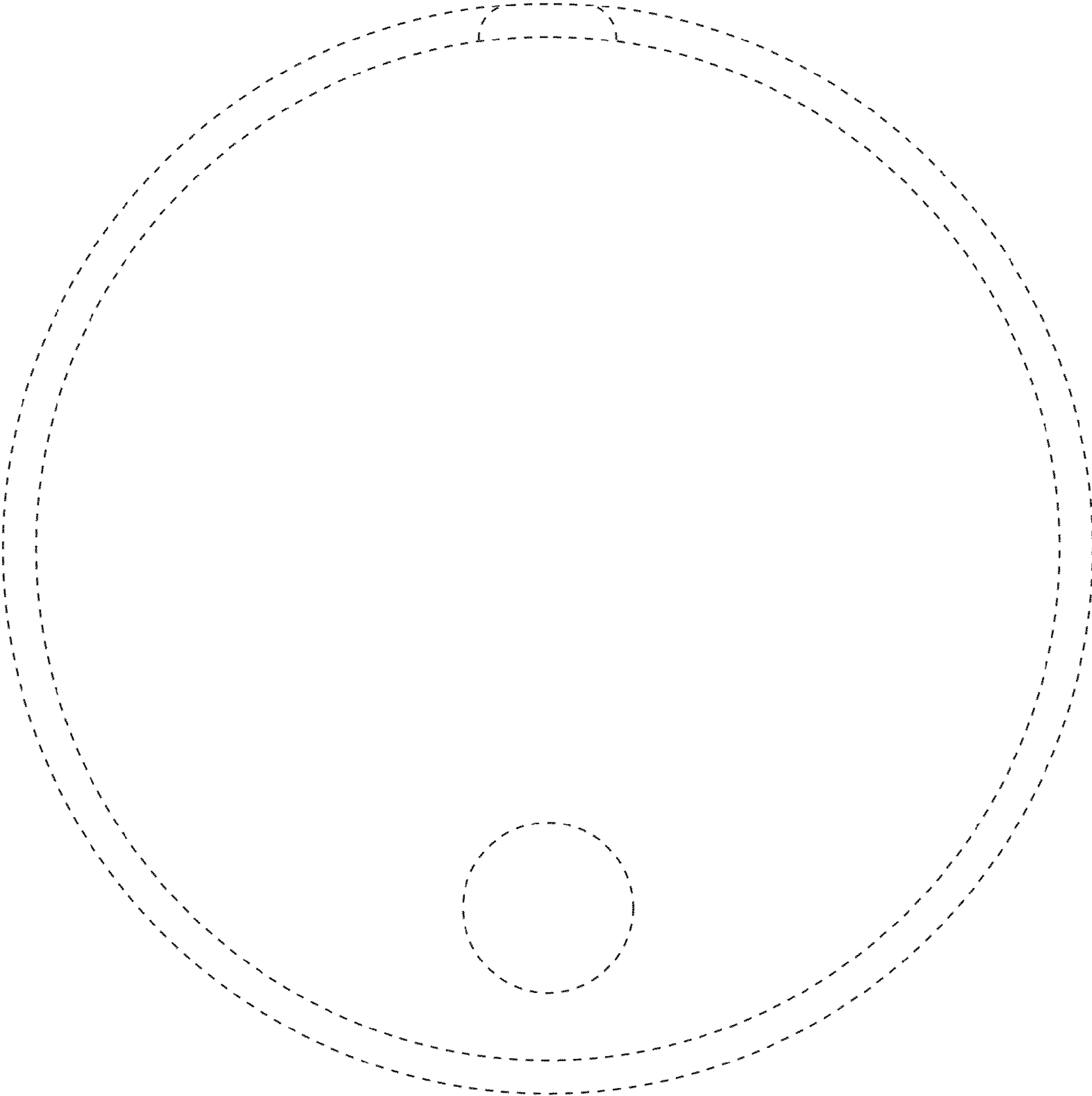


FIG. 12

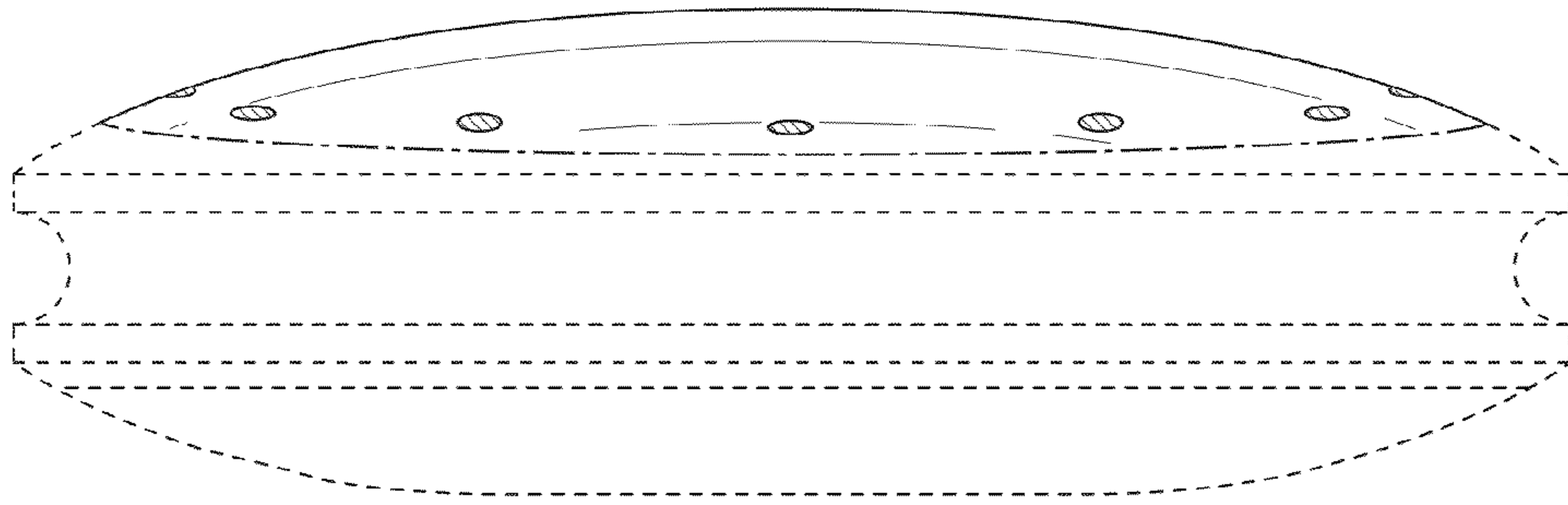


FIG. 13

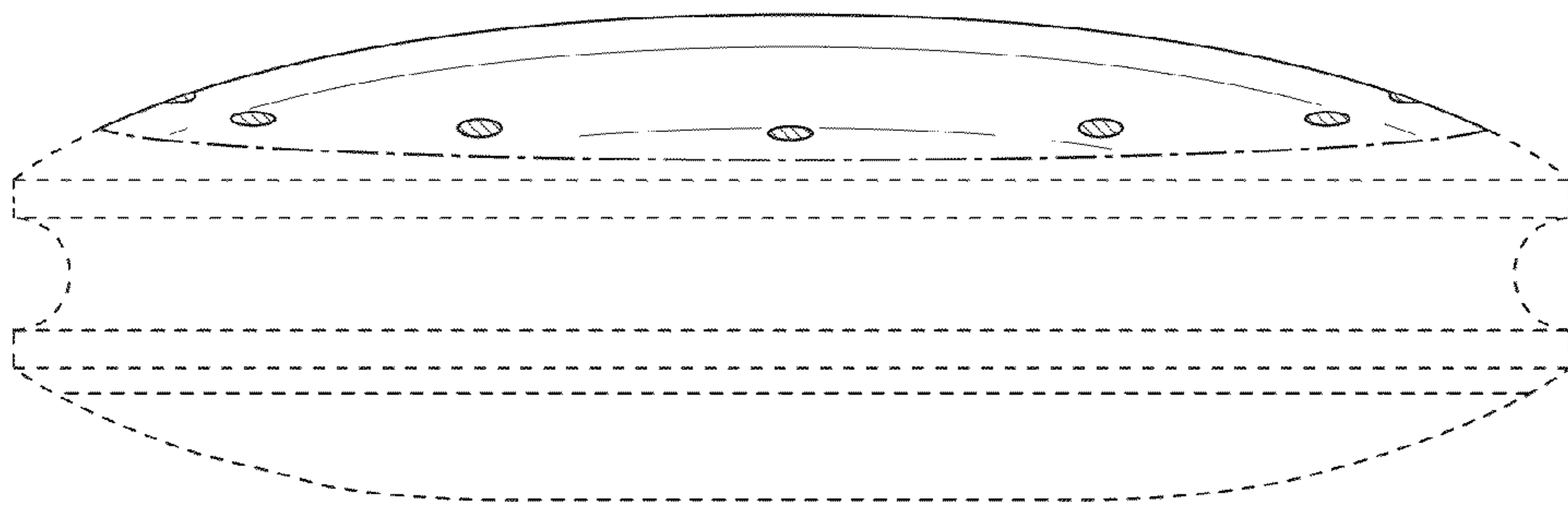


FIG. 14

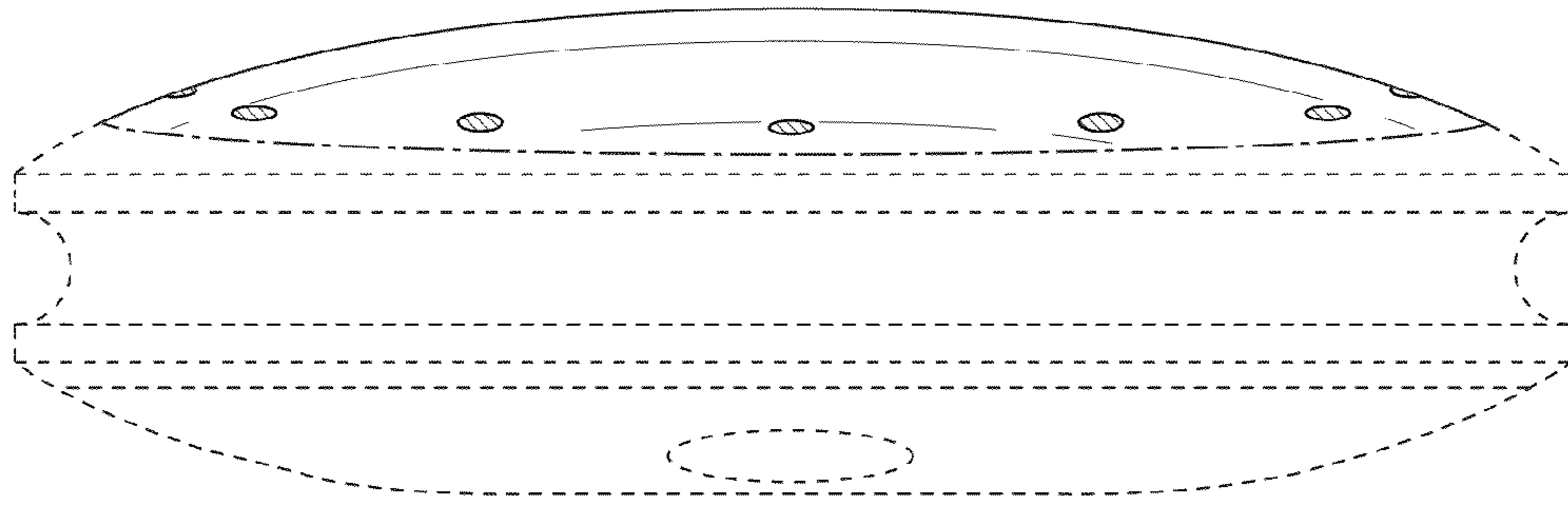


FIG. 15

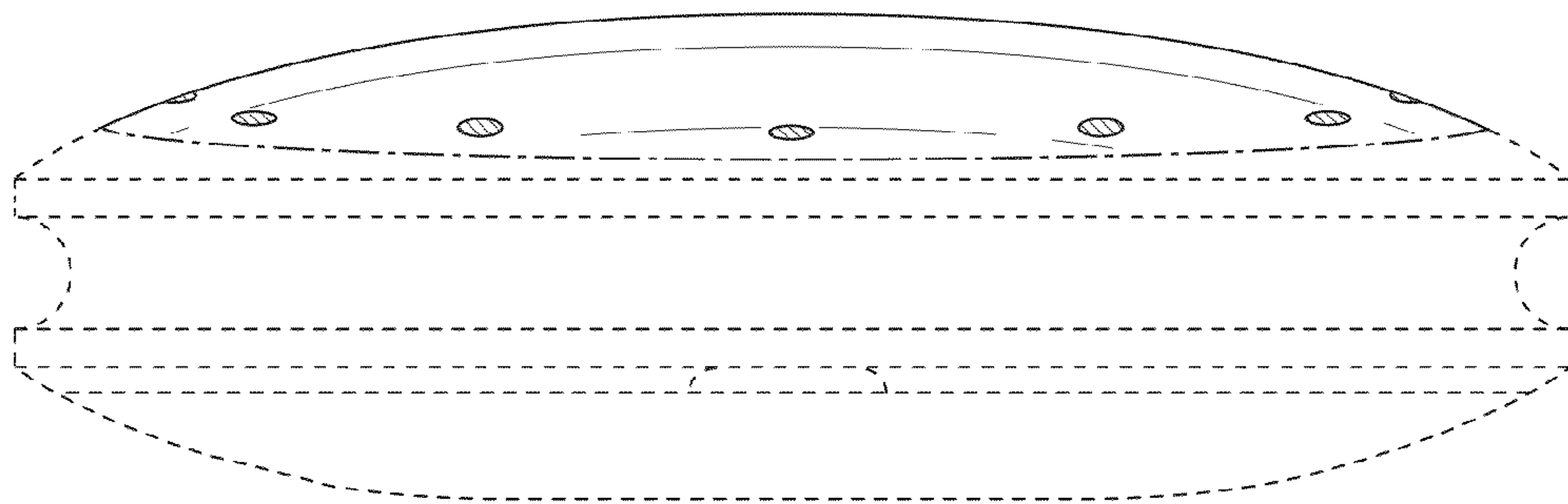


FIG. 16