



US00D739773S

(12) **United States Design Patent**
Kanenari et al.

(10) **Patent No.:** **US D739,773 S**

(45) **Date of Patent:** **** Sep. 29, 2015**

(54) **DISPLAY DEVICE FOR TIRE PRESSURE MONITORING SYSTEM**

(71) Applicants: **THE YOKOHAMA RUBBER CO., LTD.**, Tokyo (JP); **FUJI ELECTRIC CO., LTD.**, Kanagawa (JP)

(72) Inventors: **Daisuke Kanenari**, Kanagawa (JP); **Yasuhiko Araki**, Kanagawa (JP); **Souichi Arai**, Kanagawa (JP)

(73) Assignees: **The Yokohama Rubber Co., Ltd.**, Tokyo (JP); **Fuji Electric Co., Ltd.**, Kanagawa (JP)

(**) Term: **14 Years**

(21) Appl. No.: **29/454,880**

(22) Filed: **May 15, 2013**

(30) **Foreign Application Priority Data**

Nov. 16, 2012 (JP) 2012-028016

(51) **LOC (10) Cl.** **10-04**

(52) **U.S. Cl.**
USPC **D10/86**

(58) **Field of Classification Search**

USPC D10/86; D14/126, 336, 371, 374, 389
CPC B60C 23/0408; B60C 23/0494; G01L 7/043;
G01L 7/00-7/24; G01L 13/00-13/06; G01L 15/00;
G01L 17/00-17/005; G01L 19/00-19/16;
G01L 23/00-23/32; G01L 27/00-23/02

See application file for complete search history.

(56) **References Cited**

U.S. PATENT DOCUMENTS

D337,730	S	*	7/1993	Rosenfeld	D10/86
D366,846	S	*	2/1996	Handfield et al.	D10/86
6,243,007	B1	*	6/2001	McLaughlin et al.	340/447
D502,152	S	*	2/2005	Peng	D14/126
D528,027	S	*	9/2006	Hung	D10/86
D582,916	S	*	12/2008	Wada	D14/371
D606,435	S	*	12/2009	Zheng	D10/86
2004/0153281	A1	*	8/2004	Jaynes	702/138
2005/0115327	A1	*	6/2005	Kroll et al.	73/730
2010/0224005	A1	*	9/2010	Chen	73/756
2013/0106596	A1	*	5/2013	Mouchet	340/445
2013/0160561	A1	*	6/2013	Chen et al.	73/753

* cited by examiner

Primary Examiner — Antoine D Davis

(74) *Attorney, Agent, or Firm* — RatnerPrestia

(57) **CLAIM**

The ornamental design for a display device for tire pressure monitoring system, as shown and described.

DESCRIPTION

FIG. 1 is a front perspective view of a display device for tire pressure monitoring system showing our new design; FIG. 2 is a rear perspective view thereof; FIG. 3 is a front elevational view thereof; FIG. 4 is a rear elevational view thereof; FIG. 5 is a top plan view thereof; FIG. 6 is a bottom plan view thereof; FIG. 7 is a left side elevational view thereof; and, FIG. 8 is a right side elevational view thereof. The broken lines shown in the drawings are for illustrative purposes only and form no part of the claimed design.

1 Claim, 6 Drawing Sheets

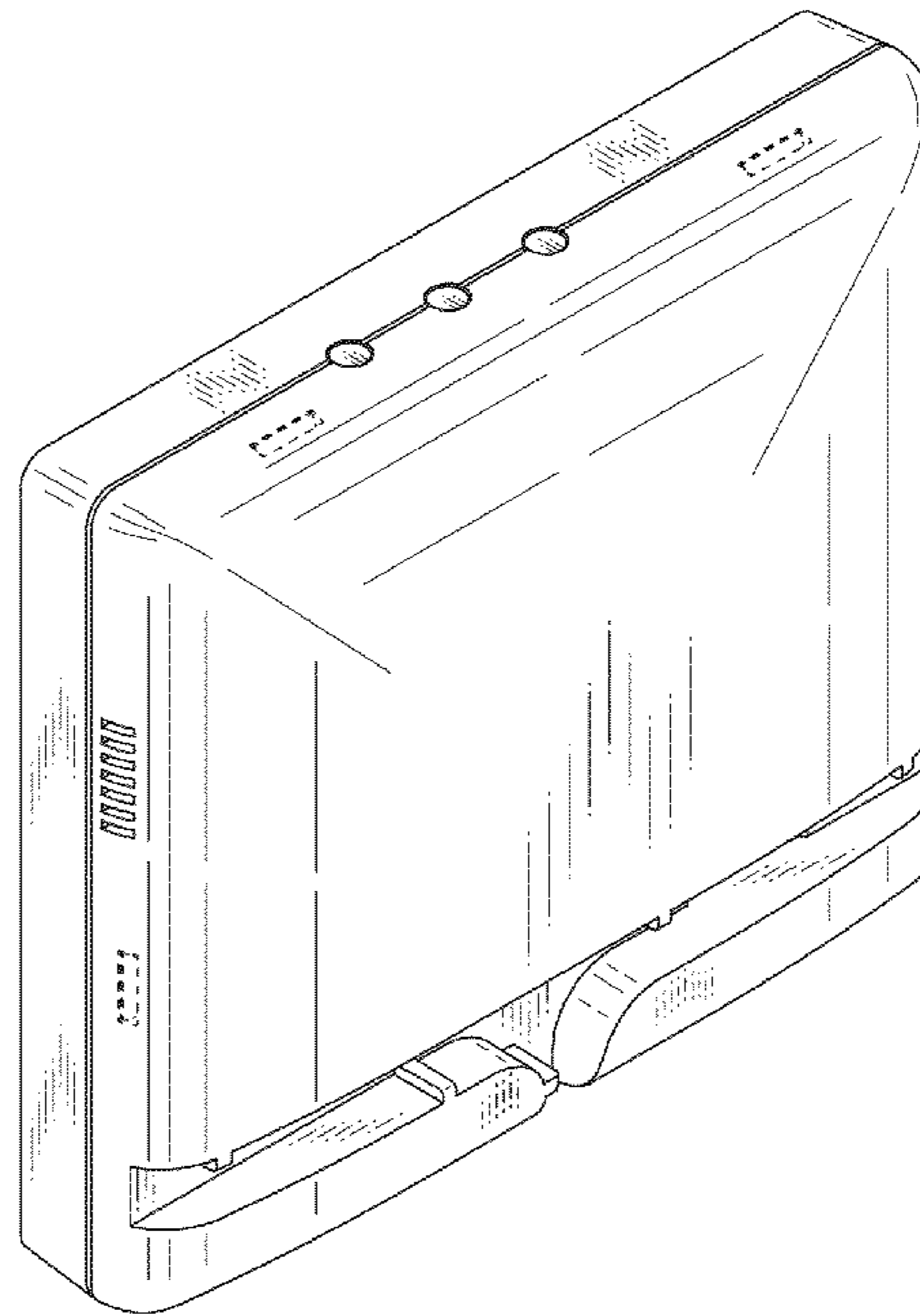
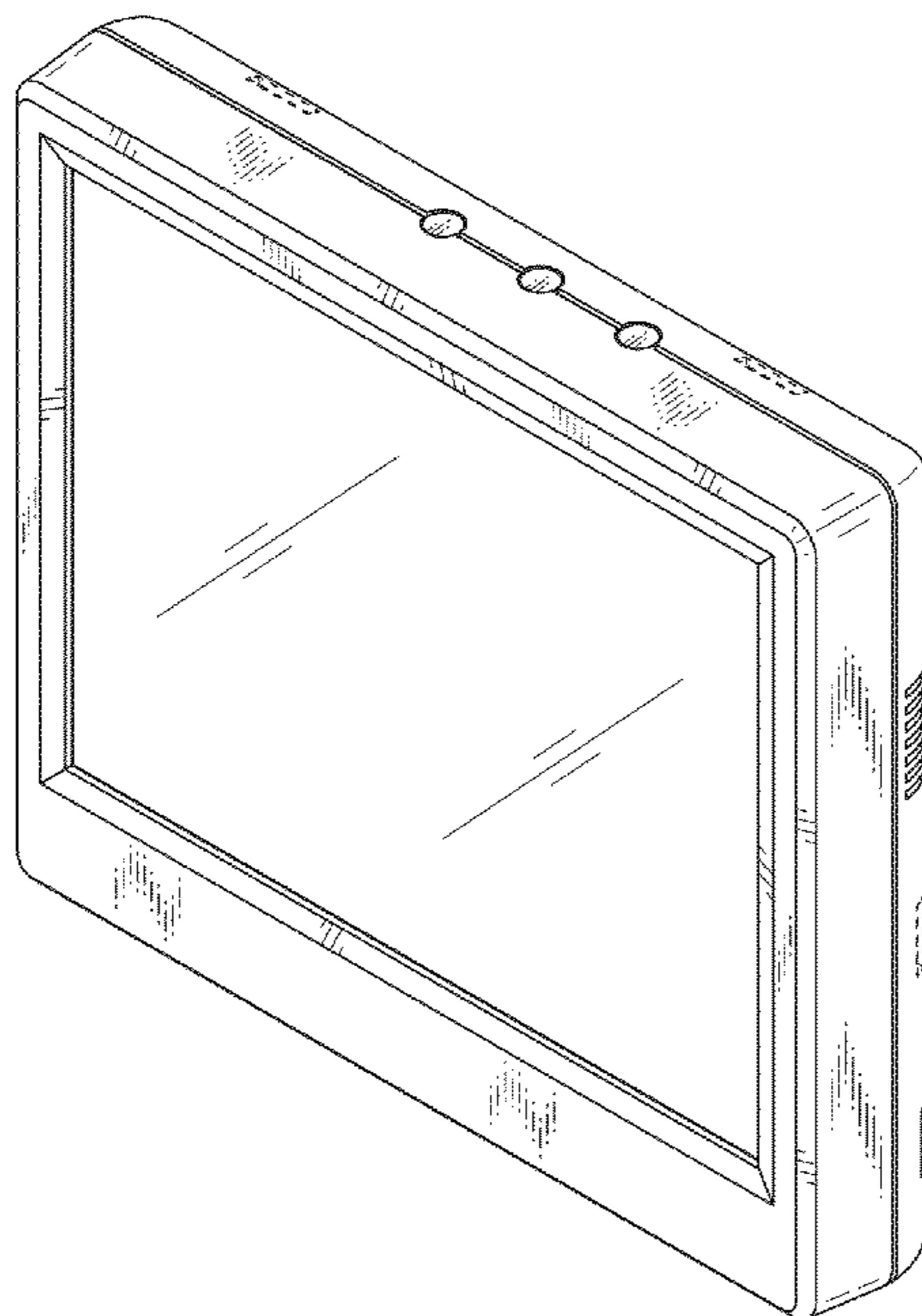


FIG. 1

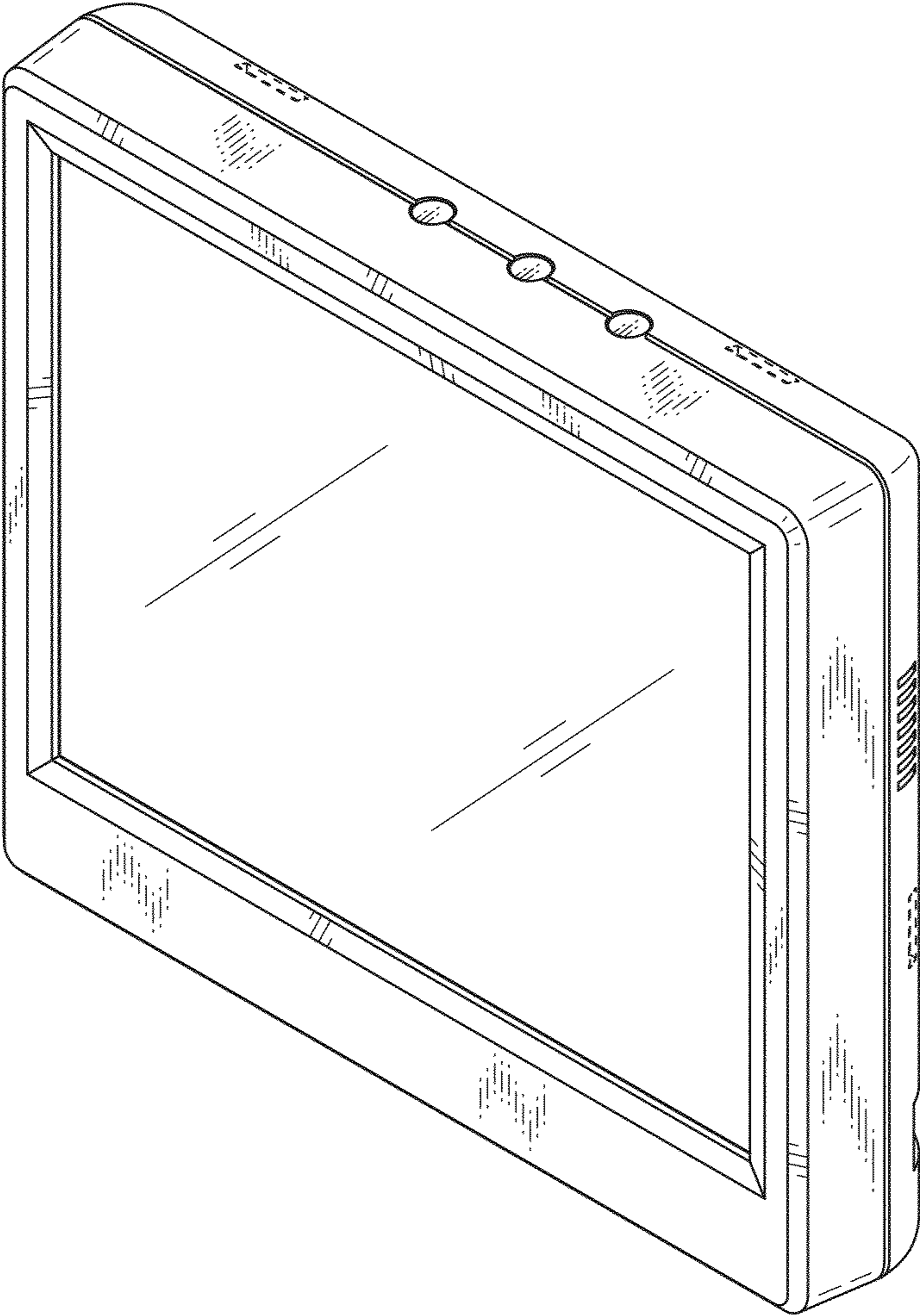


FIG. 2

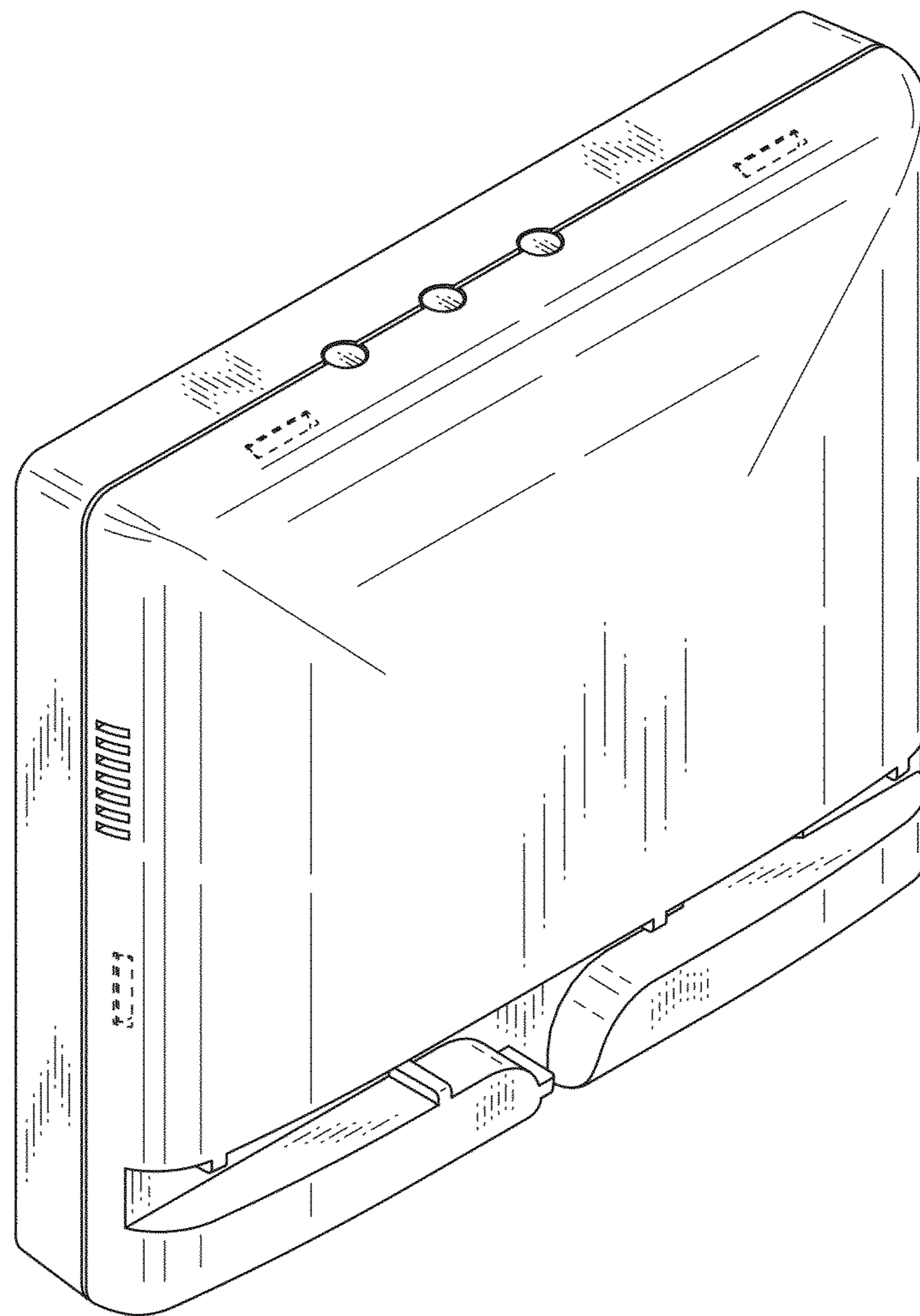


FIG. 3

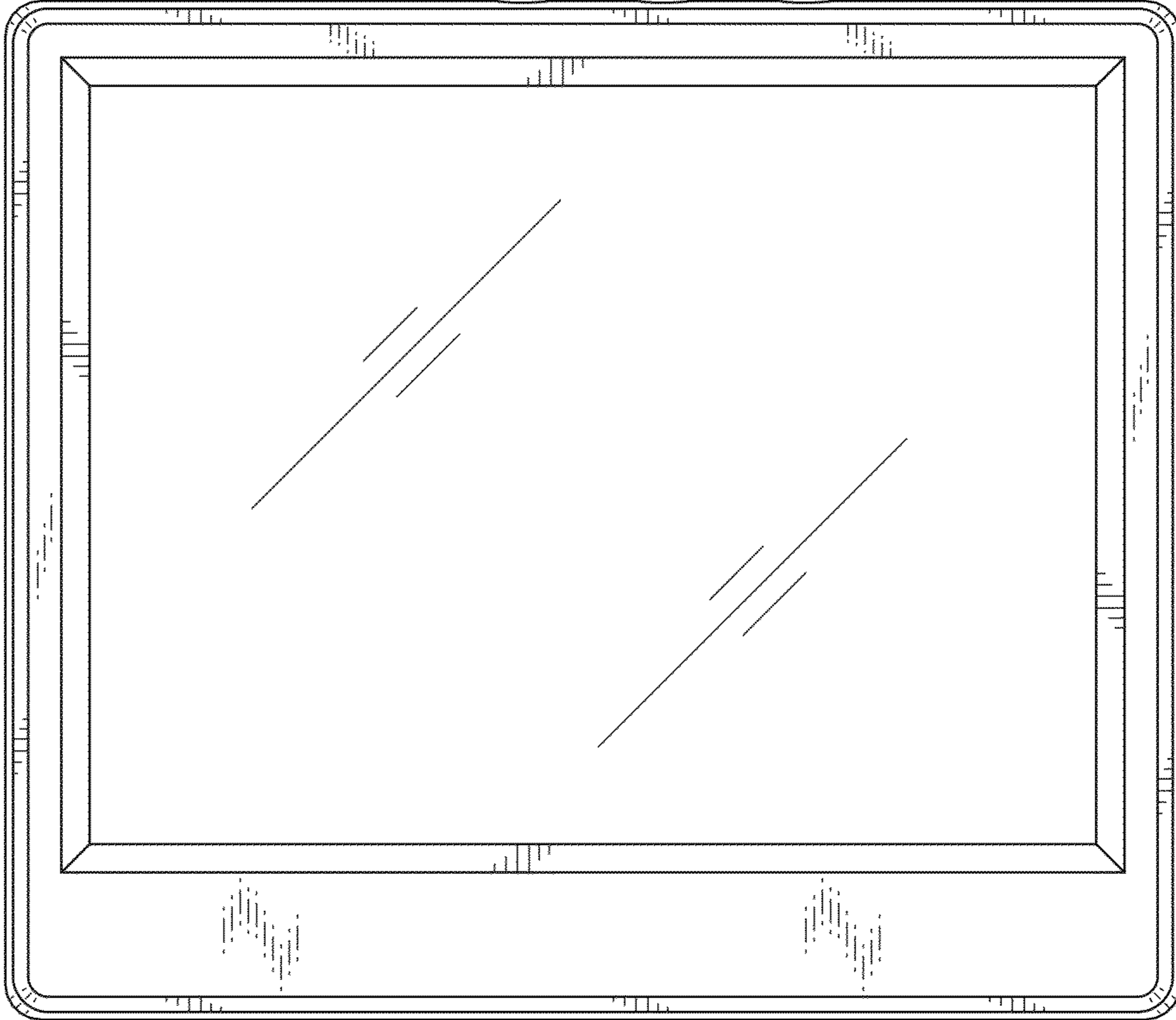


FIG. 4

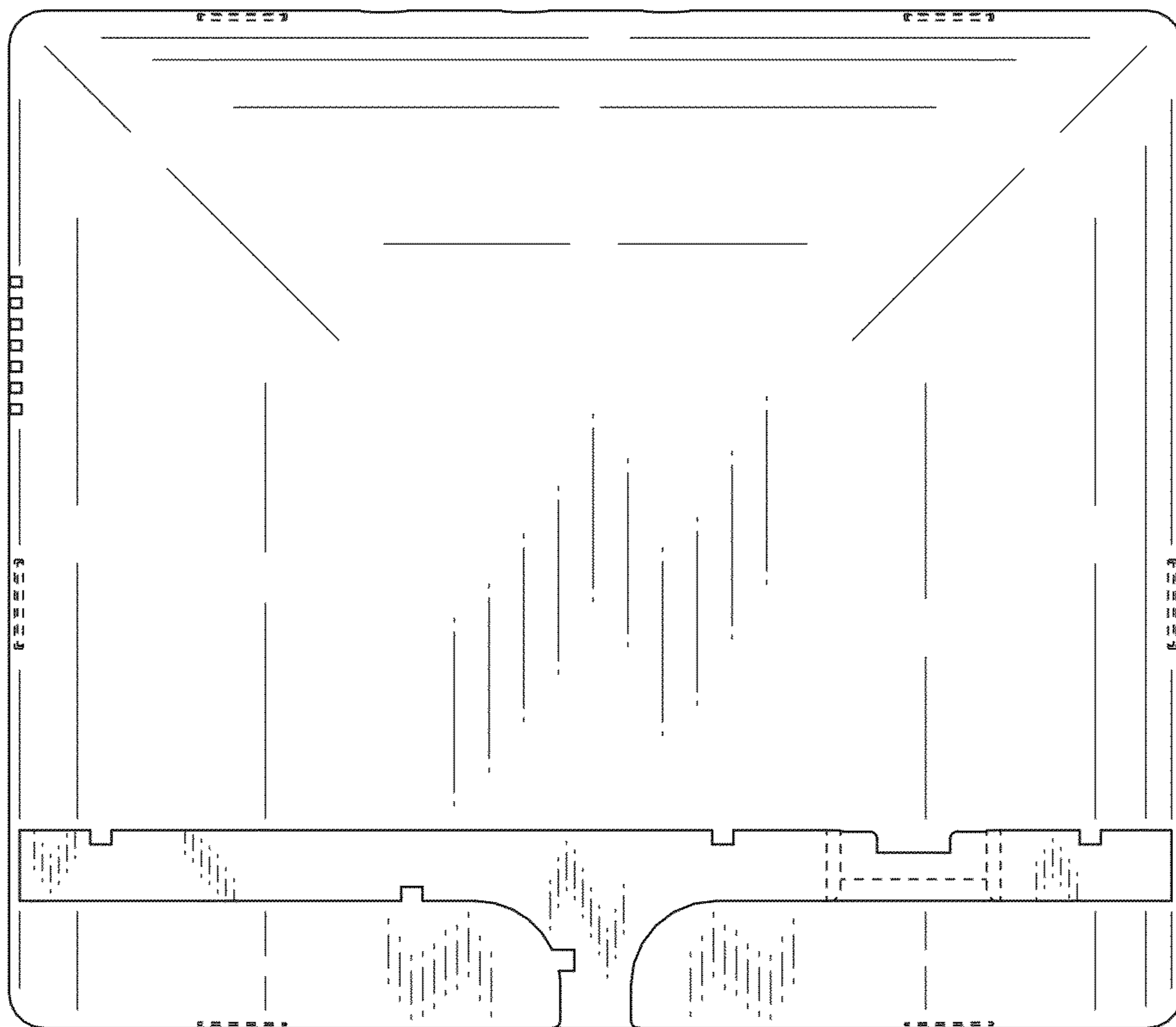


FIG. 5

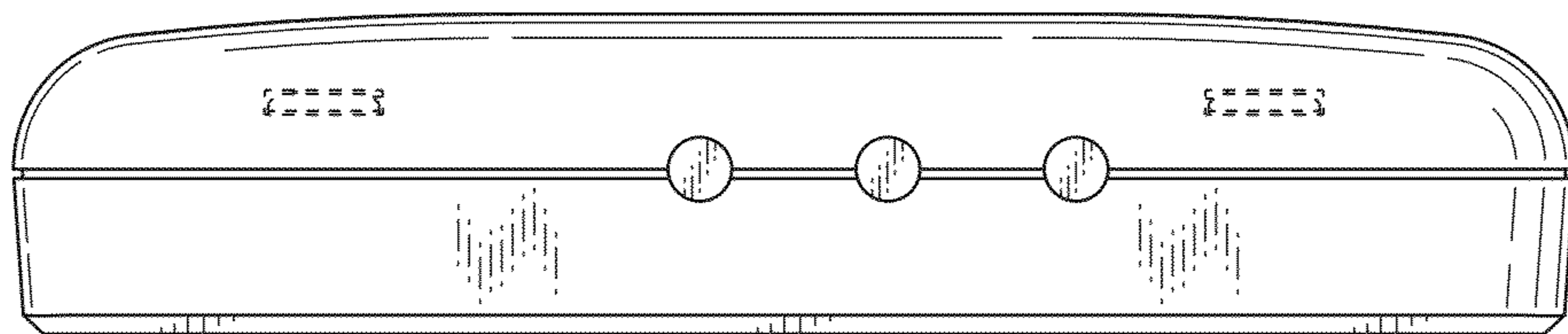


FIG. 6

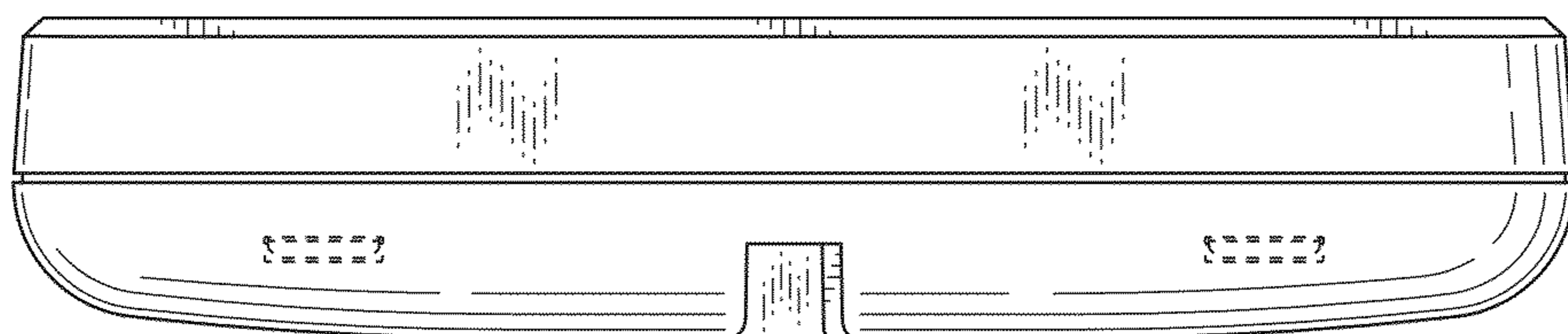


FIG. 7

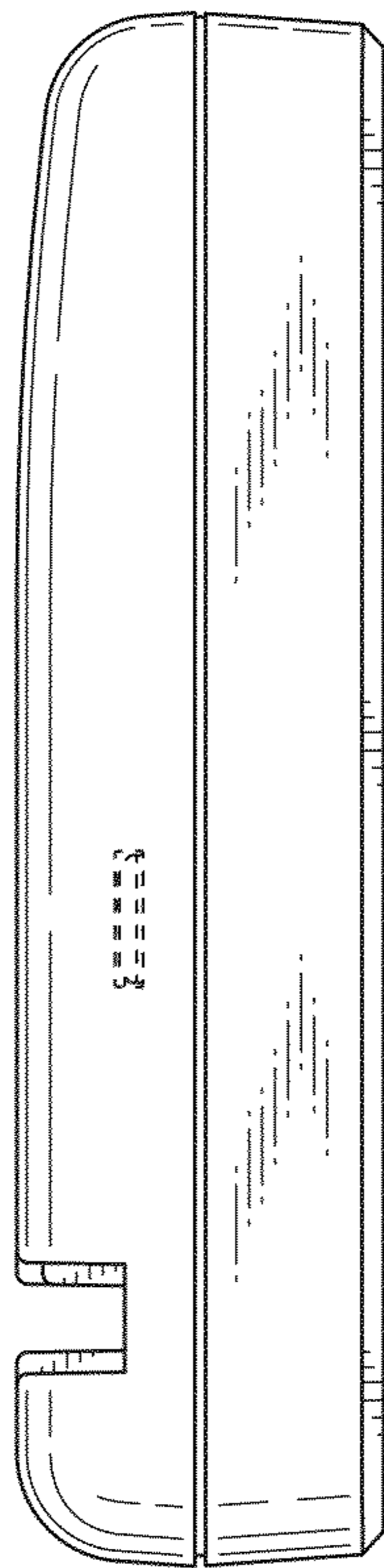


FIG. 8

