

US00D739771S

(12) **United States Design Patent**  
**Jablonski et al.**

(10) **Patent No.:** **US D739,771 S**  
(45) **Date of Patent:** **\*\* Sep. 29, 2015**

(54) **SPECTROMETER**

GE Healthcare, NanoVue™ Plus Spectrophotometer, Data file 28-9301-69AC, Brochure, 4 pages, Sep. 2010.

(71) Applicant: **Thermo Electron Scientific Instruments LLC**, Madison, WI (US)

\* cited by examiner

(72) Inventors: **Michael Jablonski**, Madison, WI (US);  
**Paul S. Zdinak**, Belleville, WI (US);  
**William A. Bayer**, Middleton, WI (US);  
**Taylor A. Powers**, Madison, WI (US)

*Primary Examiner* — Antoine D Davis  
(74) *Attorney, Agent, or Firm* — Ion C. Abraham

(73) Assignee: **THERMO ELECTRON SCIENTIFIC INSTRUMENTS LLC**, Madison, WI (US)

(57) **CLAIM**  
We claim the ornamental design for a spectrometer, as shown and described.

(\*\*) Term: **14 Years**

**DESCRIPTION**

(21) Appl. No.: **29/489,553**

(22) Filed: **Apr. 30, 2014**

(51) **LOC (10) Cl.** ..... **10-04**

(52) **U.S. Cl.**  
USPC ..... **D10/81**

(58) **Field of Classification Search**  
USPC ..... D10/75, 78, 81  
CPC ..... G01J 3/00; G01J 2003/003–2003/006;  
G01J 3/02–3/0278; G01J 2003/0281; G01J  
3/0283–3/04; G01J 2003/042–2003/047;  
G01J 3/06; G01J 2003/061–2003/069; G01J  
3/08–3/10

See application file for complete search history.

(56) **References Cited**

**U.S. PATENT DOCUMENTS**

6,628,382	B2	9/2003	Robertson	
6,809,826	B2	10/2004	Robertson	
7,397,036	B2	7/2008	Robertson et al.	
D640,581	S *	6/2011	Sato et al.	D10/81
8,189,199	B2	5/2012	Robertson, Jr. et al.	
8,223,338	B2	7/2012	Robertson, Jr. et al.	
D693,018	S	11/2013	Zdinak et al.	
8,730,466	B2	5/2014	Ashmead et al.	

**OTHER PUBLICATIONS**

Denovix, DS-11 Spectrophotometer, Brochure, 2 pages, Version 06-2013, 2013.

FIG. 1 is a front, right perspective view of a first embodiment of a spectrometer showing our new design, wherein an arm is in an open position and a display is in a leftmost position; FIG. 2 is a front elevation view of the spectrometer of FIG. 1; FIG. 3 is a back elevation view of the spectrometer of FIG. 1; FIG. 4 is a left elevation view of the spectrometer of FIG. 1; FIG. 5 is a right elevation view of the spectrometer of FIG. 1; FIG. 6 is a top plan view of the spectrometer of FIG. 1; FIG. 7 is a front, right perspective view of the spectrometer of FIG. 1, wherein the arm is in a closed position and the display is in the leftmost position; FIG. 8 is a front elevation view of the spectrometer of FIG. 7; FIG. 9 is a back elevation view of the spectrometer of FIG. 7; FIG. 10 is a left elevation view of the spectrometer of FIG. 7; FIG. 11 is a right elevation view of the spectrometer of FIG. 7; FIG. 12 is a top plan view of the spectrometer of FIG. 7; FIG. 13 is a bottom plan view of the spectrometer of FIGS. 1 and 7; FIG. 14 is a front, right perspective view of a second embodiment of a spectrometer showing our new design, wherein an arm is in an open position and a display is in a rightmost position; FIG. 15 is a front elevation view of the spectrometer of FIG. 14; FIG. 16 is a back elevation view of the spectrometer of FIG. 14; FIG. 17 is a left elevation view of the spectrometer of FIG. 14; FIG. 18 is a right elevation view of the spectrometer of FIG. 14; FIG. 19 is a top plan view of the spectrometer of FIG. 14; FIG. 20 is a front, right perspective view of the spectrometer of FIG. 14, wherein the arm is in a closed position and the display is in the rightmost position;

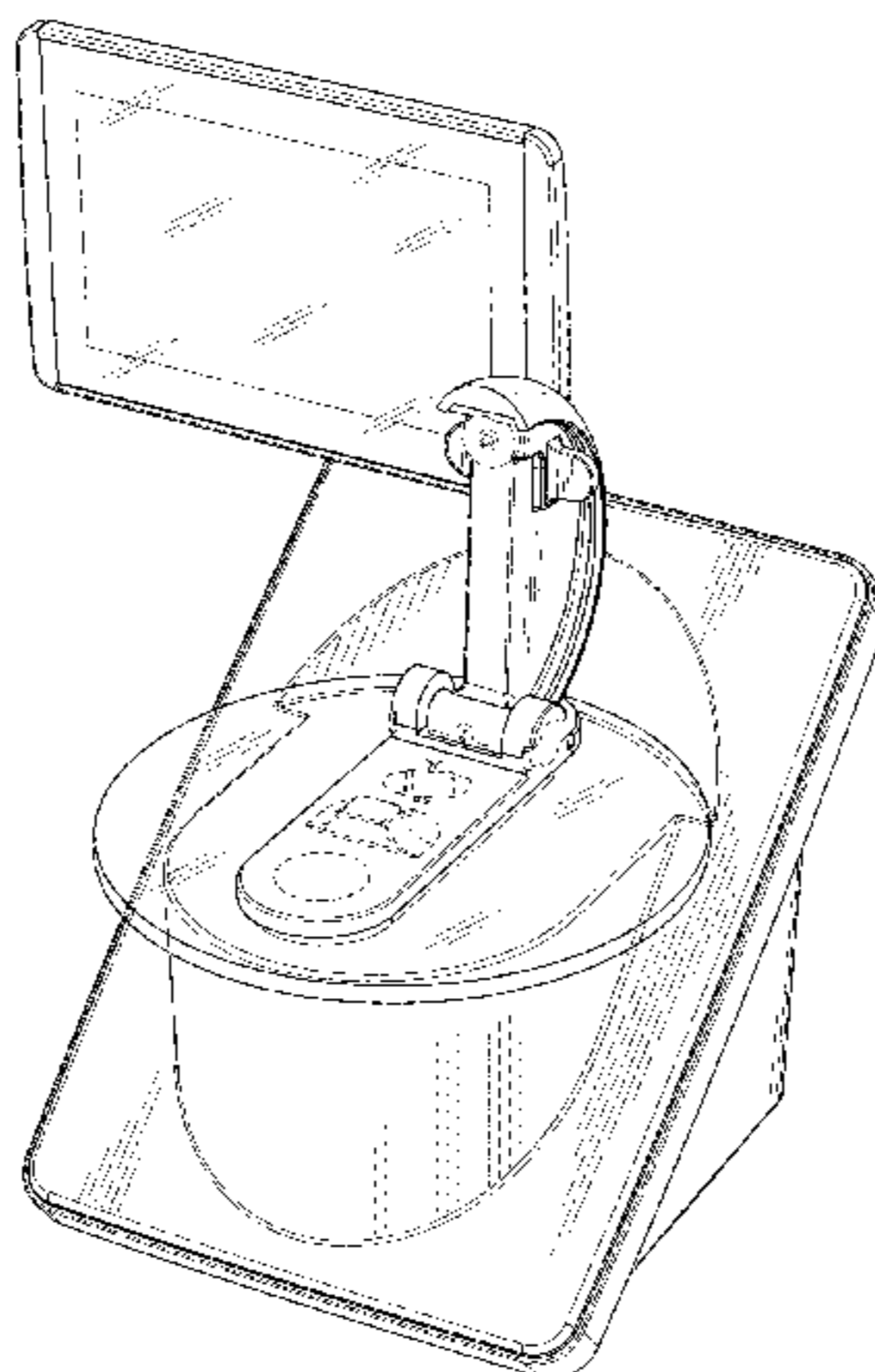


FIG. 21 is a front elevation view of the spectrometer of FIG. 20;  
FIG. 22 is a back elevation view of the spectrometer of FIG. 20;  
FIG. 23 is a left elevation view of the spectrometer of FIG. 20;  
FIG. 24 is a right elevation view of the spectrometer of FIG. 20;  
FIG. 25 is a top plan view of the spectrometer of FIG. 20;  
FIG. 26 is a bottom plan view of the spectrometer of FIGS. 14 and 20;  
FIG. 27 is a front, right perspective view of a third embodiment of a spectrometer showing our new design, wherein an arm is in an open position and a display is in a center position;  
FIG. 28 is a front elevation view of the spectrometer of FIG. 27;  
FIG. 29 is a back elevation view of the spectrometer of FIG. 27;  
FIG. 30 is a left elevation view of the spectrometer of FIG. 27;  
FIG. 31 is a right elevation view of the spectrometer of FIG. 27;  
FIG. 32 is a top plan view of the spectrometer of FIG. 27;  
FIG. 33 is a front, right perspective view of the spectrometer of FIG. 27, wherein the arm is in a closed position and the display is in the center position;  
FIG. 34 is a front elevation view of the spectrometer of FIG. 33;  
FIG. 35 is a left elevation view of the spectrometer of FIG. 33;  
FIG. 36 is a right elevation view of the spectrometer of FIG. 33;

FIG. 37 is a top plan view of the spectrometer of FIG. 33;  
FIG. 38 is a bottom plan view of the spectrometer of FIGS. 27 and 33;  
FIG. 39 is a front, right perspective view of a fourth embodiment of a spectrometer showing our new design, wherein an arm is in an open position;  
FIG. 40 is a front elevation view of the spectrometer of FIG. 39;  
FIG. 41 is a back elevation view of the spectrometer of FIG. 39;  
FIG. 42 is a left elevation view of the spectrometer of FIG. 39;  
FIG. 43 is a right elevation view of the spectrometer of FIG. 39;  
FIG. 44 is a top plan view of the spectrometer of FIG. 39;  
FIG. 45 is a front, right perspective view of the spectrometer of FIG. 39, wherein the arm is in a closed position;  
FIG. 46 is a front elevation view of the spectrometer of FIG. 45;  
FIG. 47 is a left elevation view of the spectrometer of FIG. 45;  
FIG. 48 is a right elevation view of the spectrometer of FIG. 45;  
FIG. 49 is a top plan view of the spectrometer of FIG. 45; and,  
FIG. 50 is a bottom plan view of the spectrometer of FIGS. 39 and 45.  
FIG. 29 is also a back elevation view of the spectrometer of FIG. 33. FIG. 41 is also a back elevation view of the spectrometer of FIG. 45. The broken lines in the figures form no part of the claimed design.

**1 Claim, 50 Drawing Sheets**

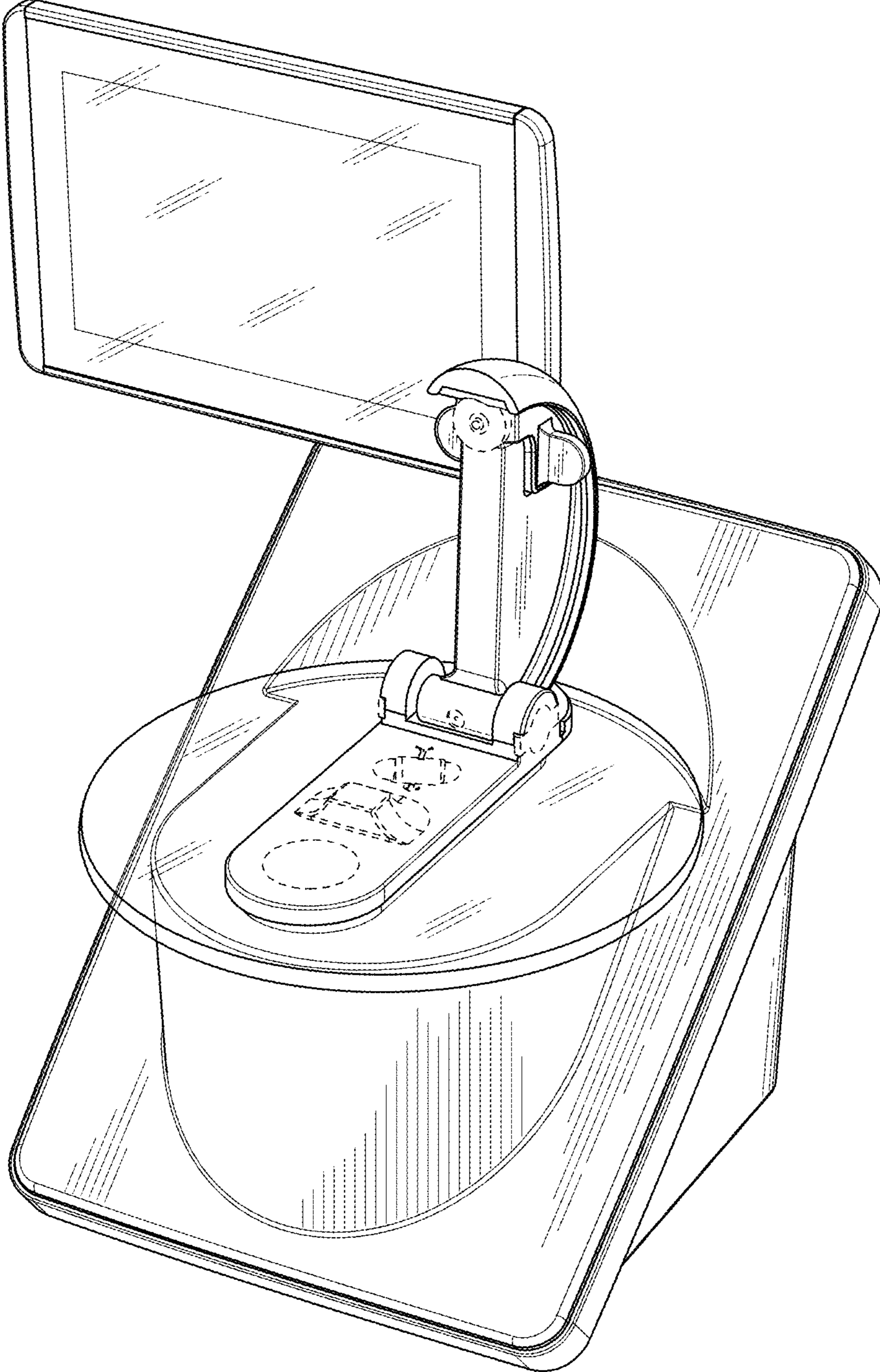


FIG. 1

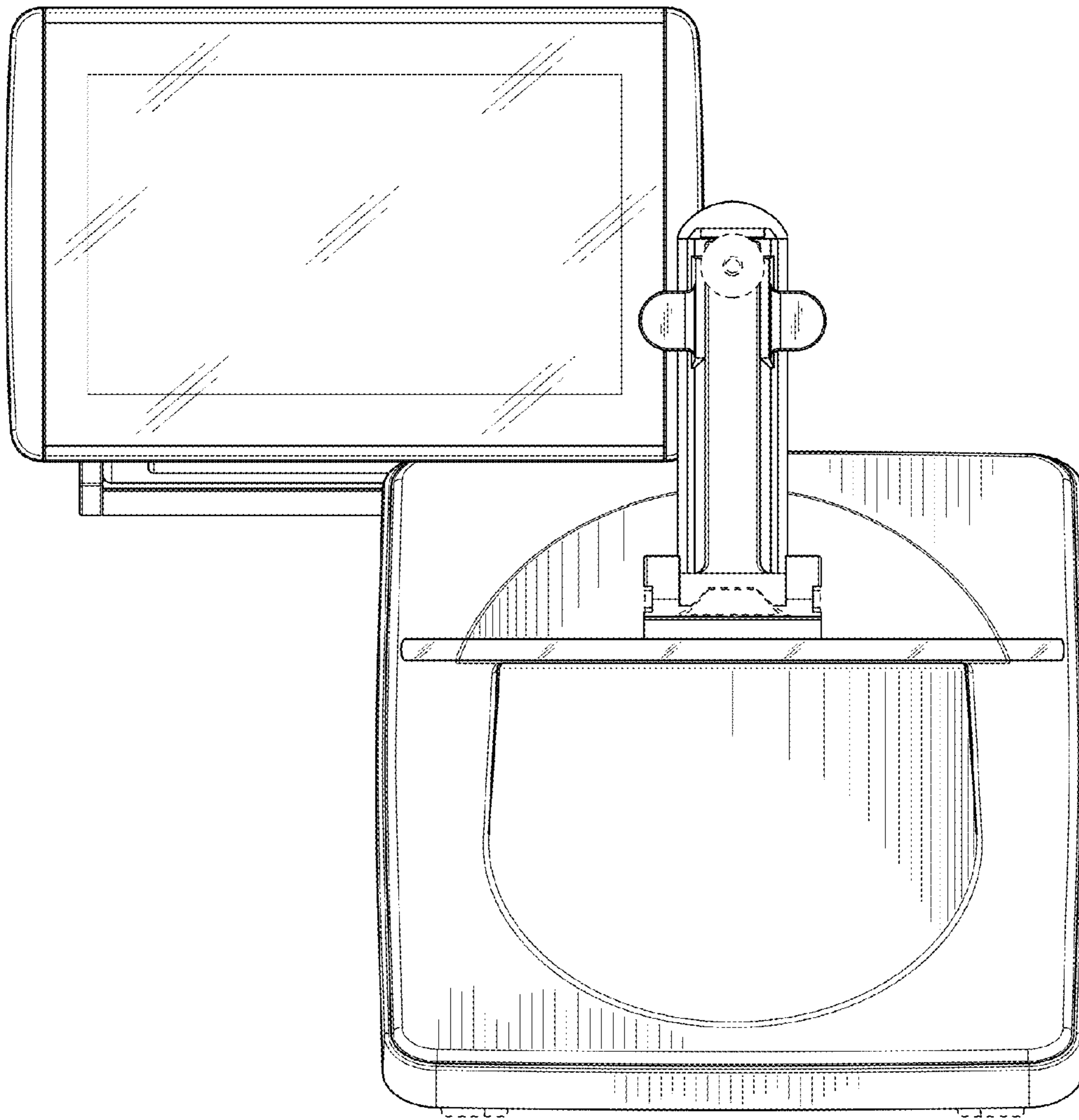


FIG. 2

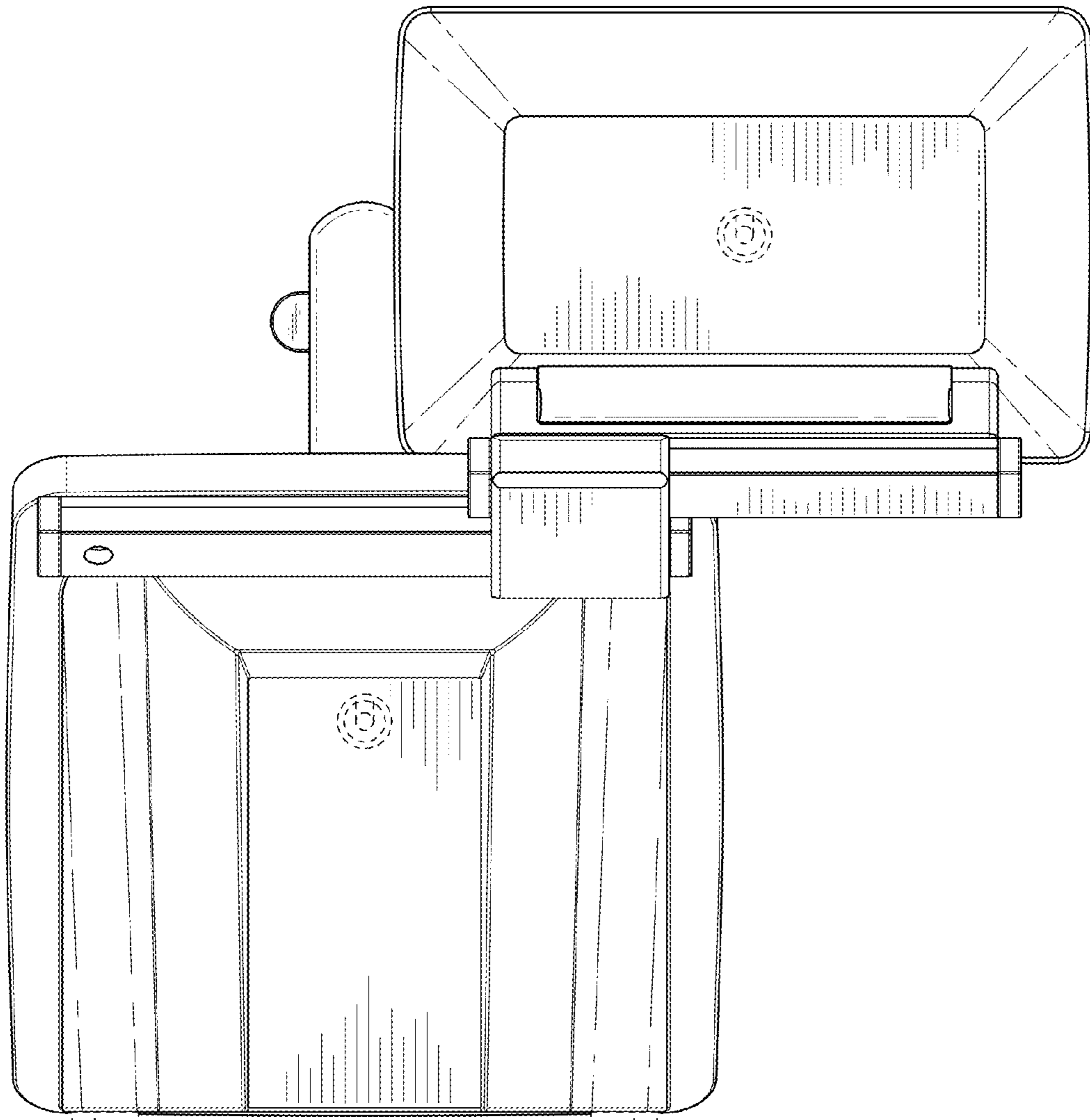


FIG. 3

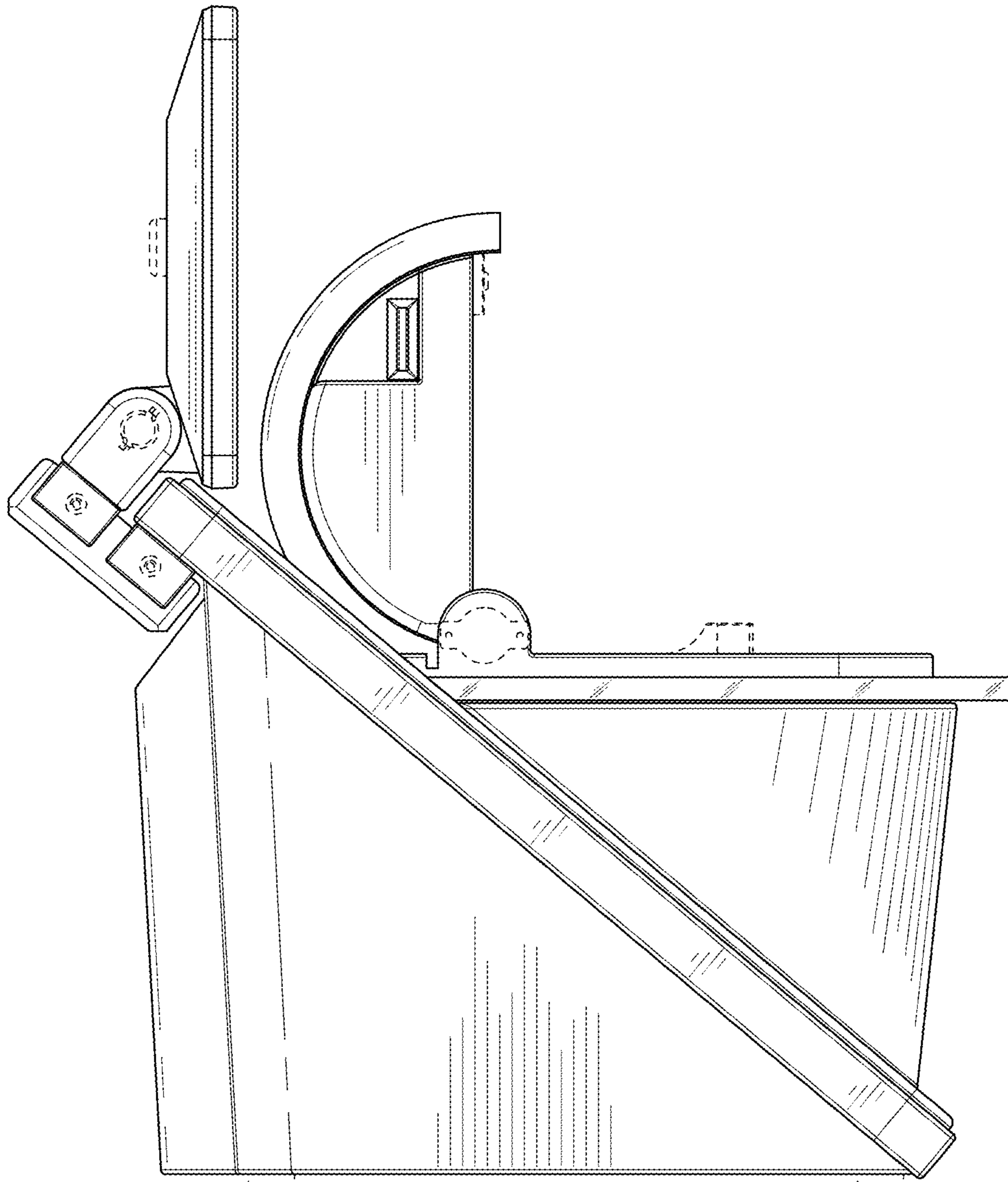


FIG. 4

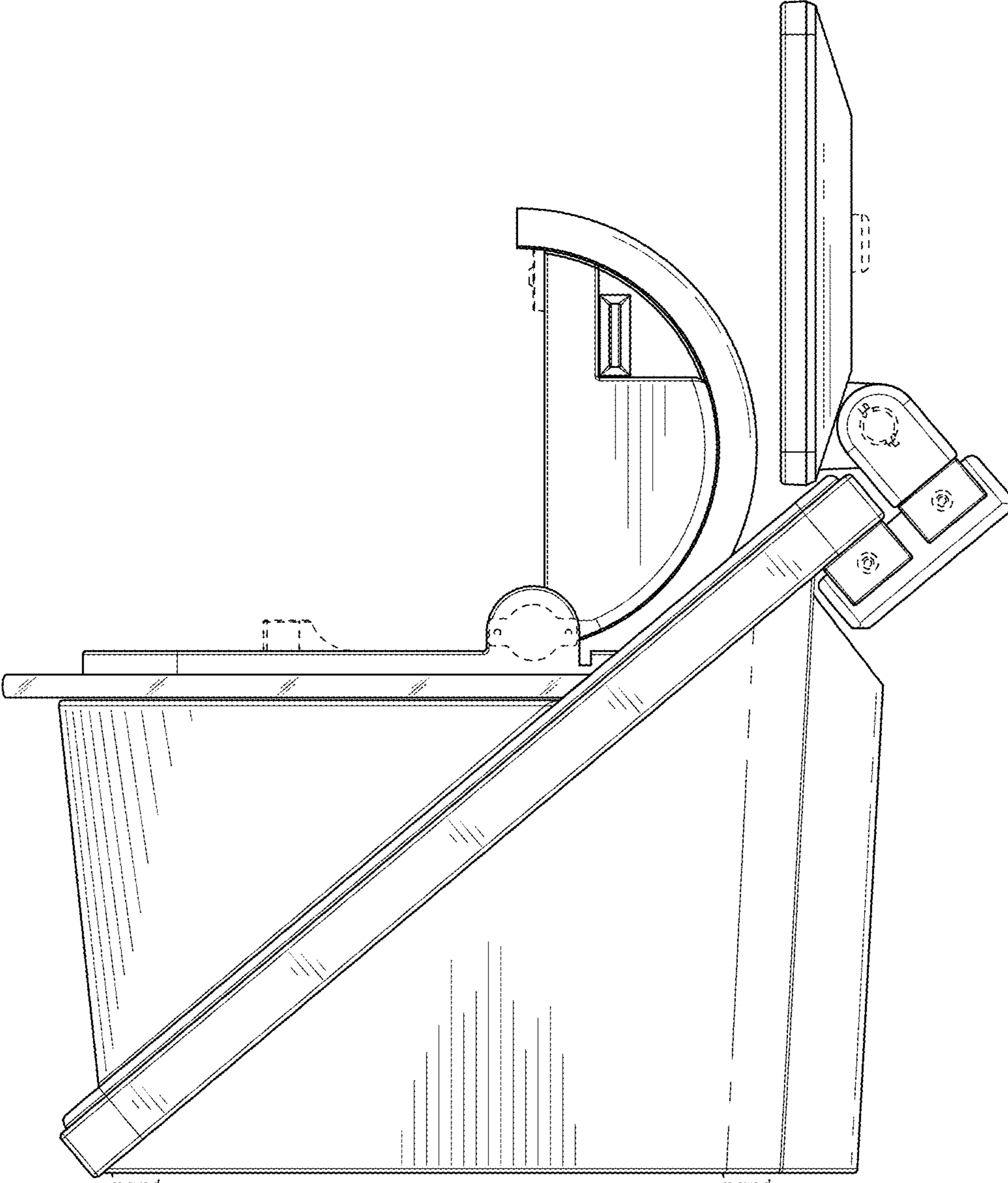


FIG. 5

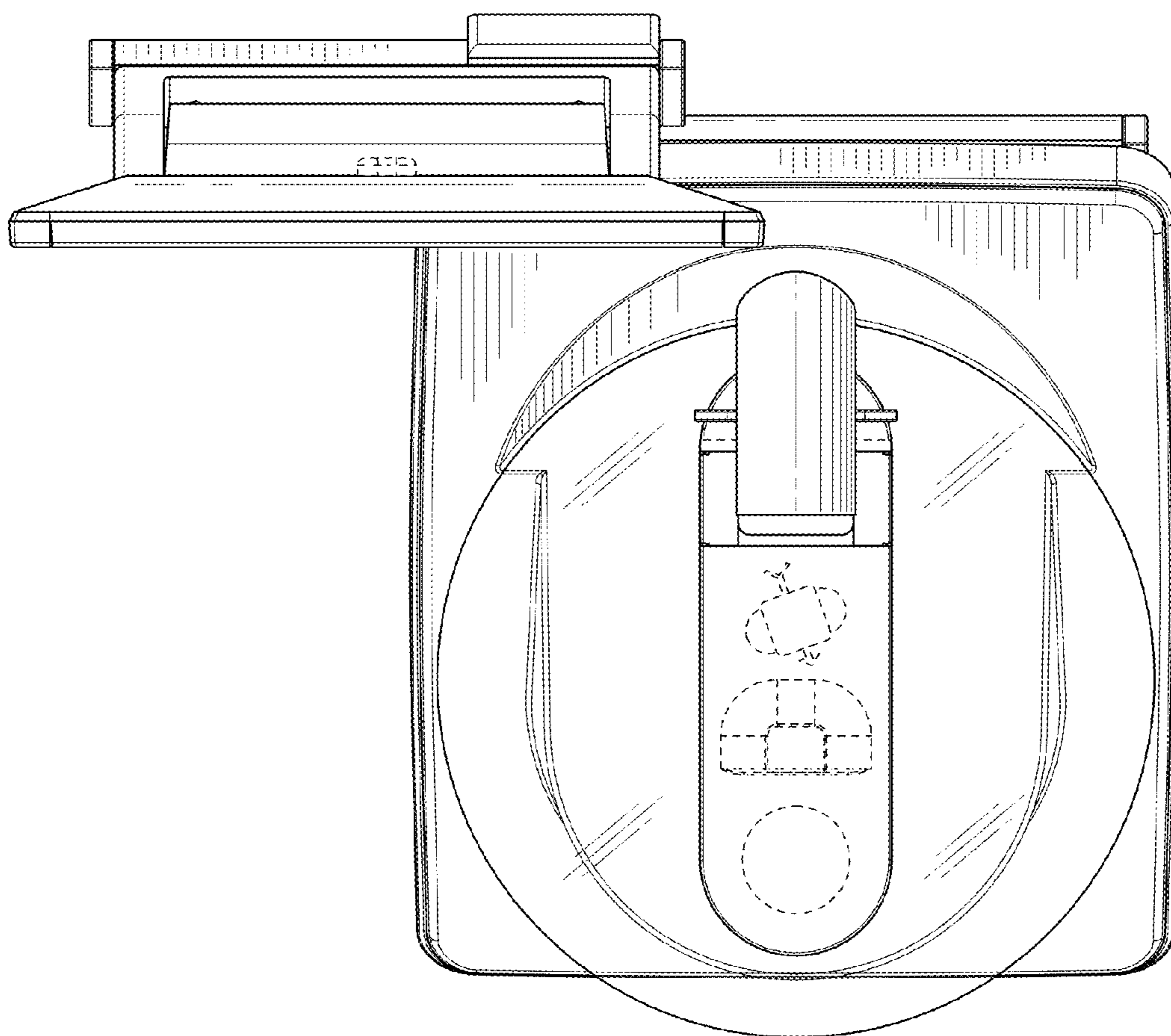


FIG. 6



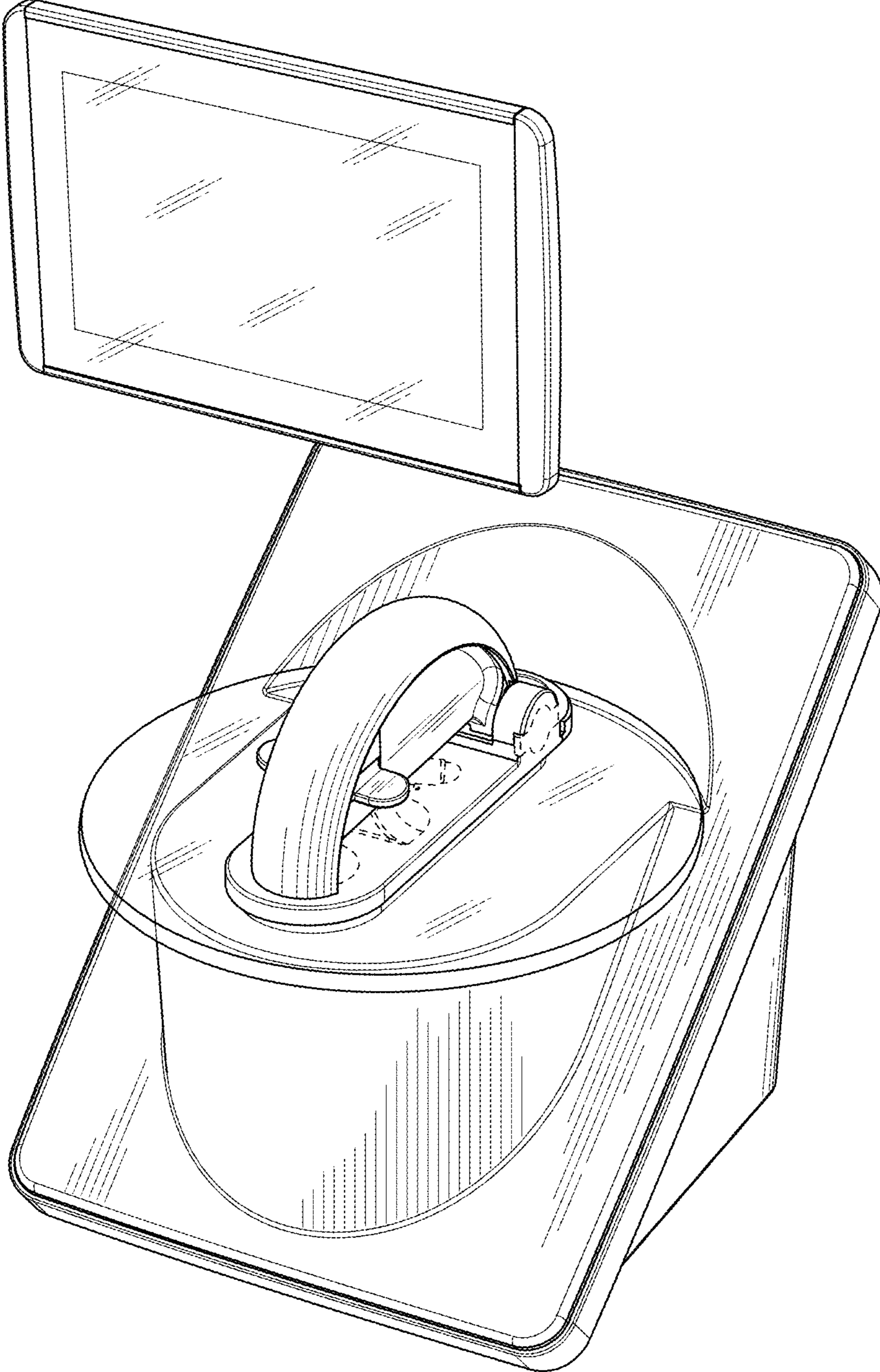


FIG. 7

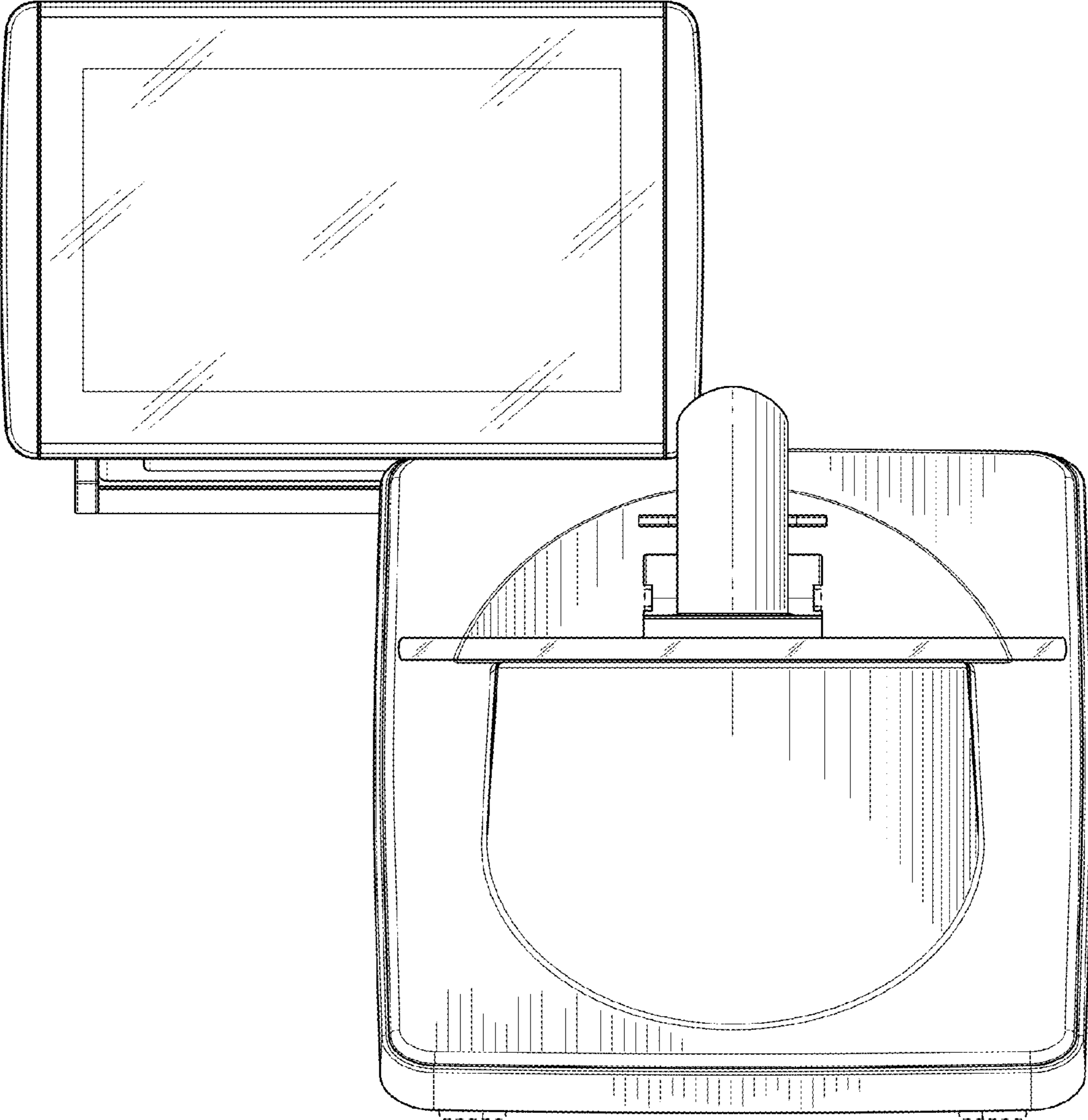


FIG. 8

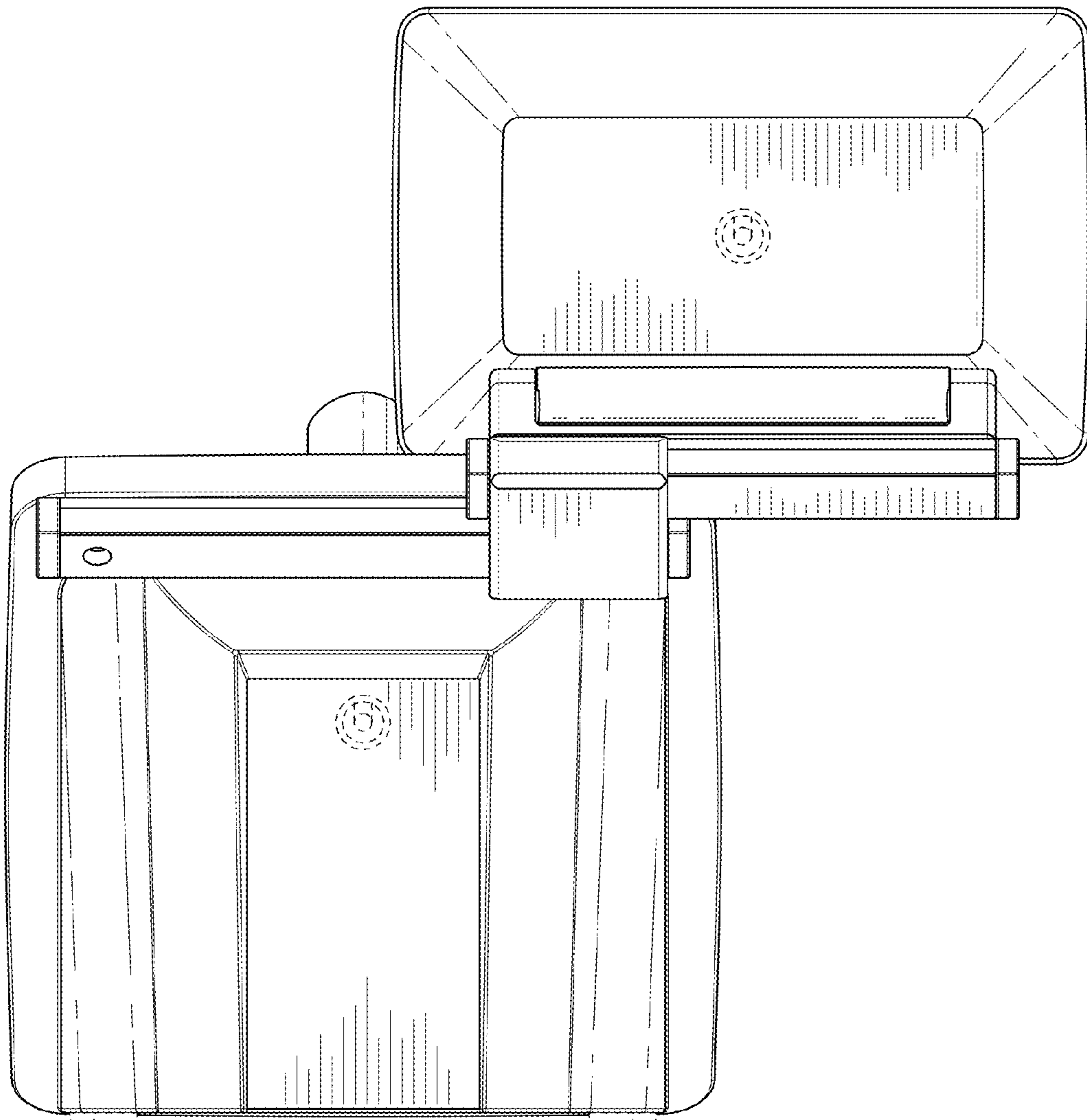


FIG. 9

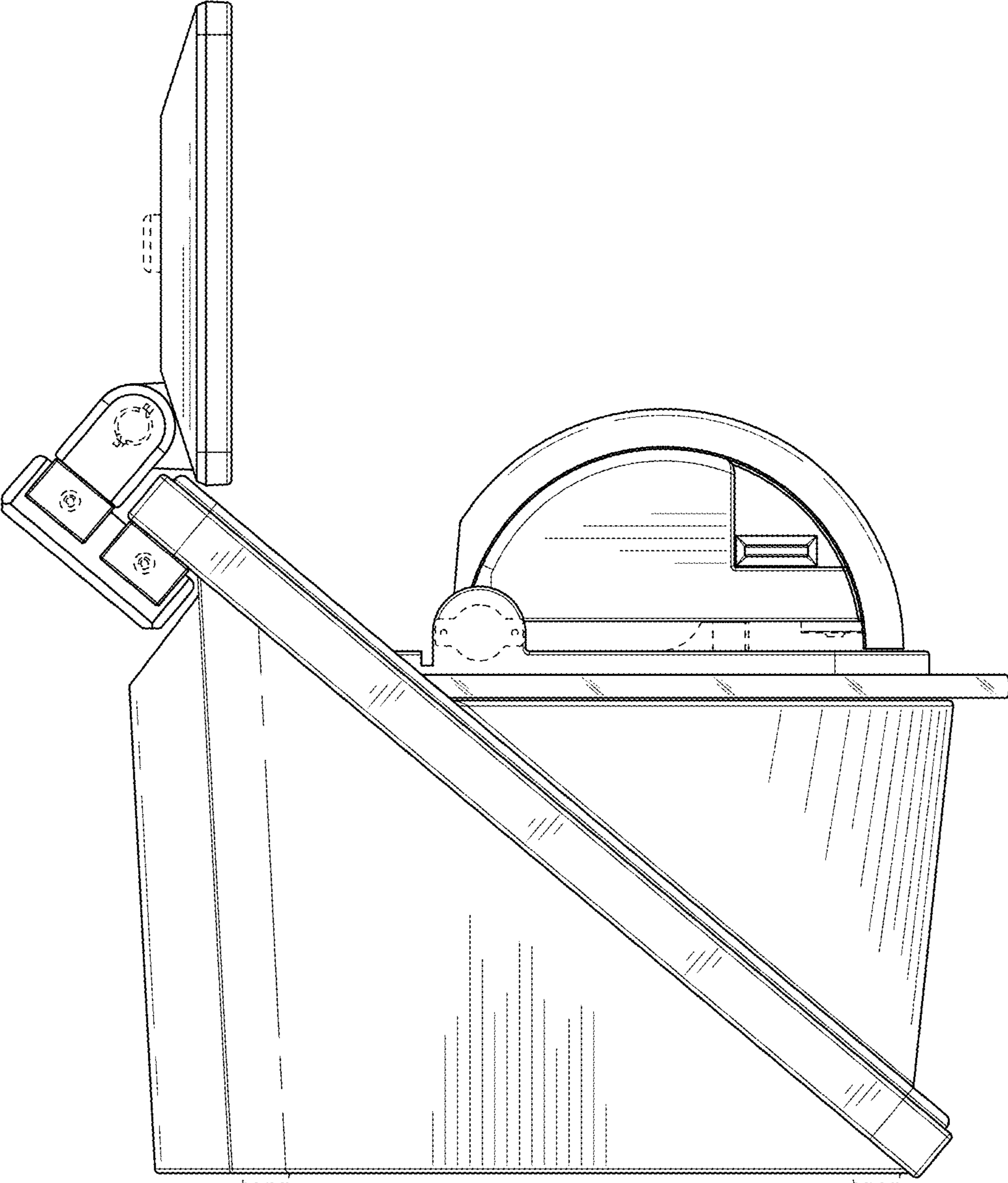


FIG. 10

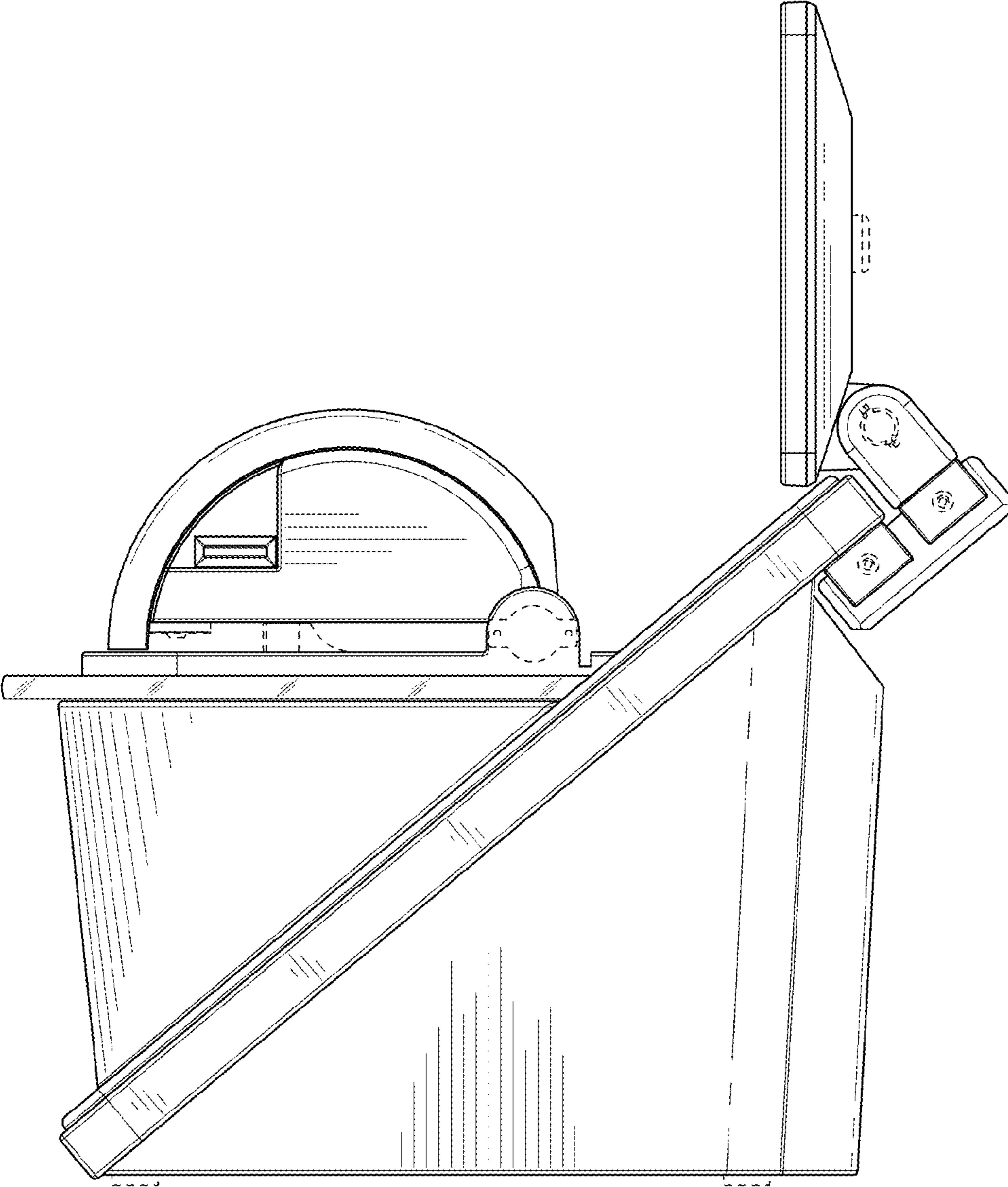


FIG. 11

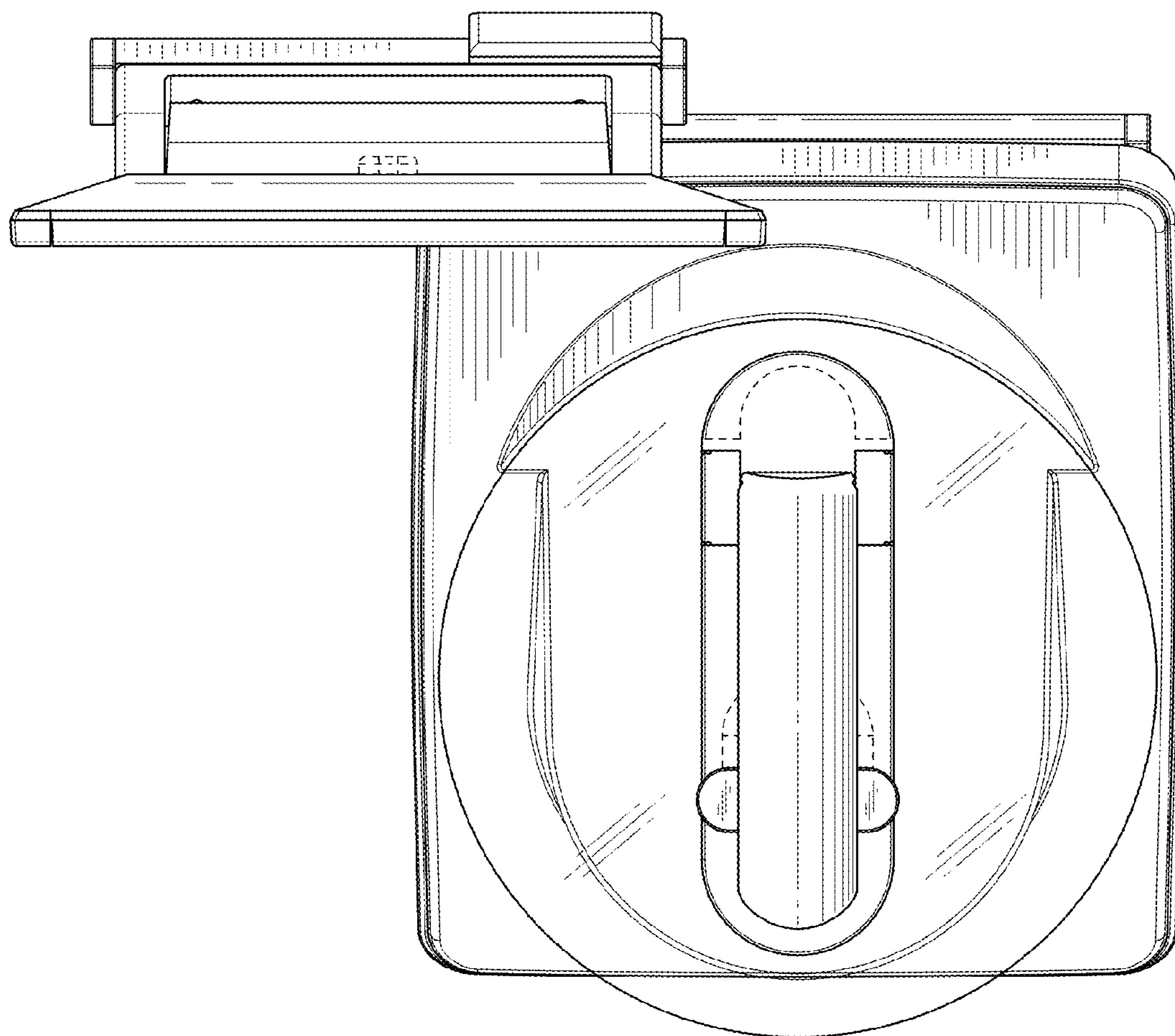


FIG. 12

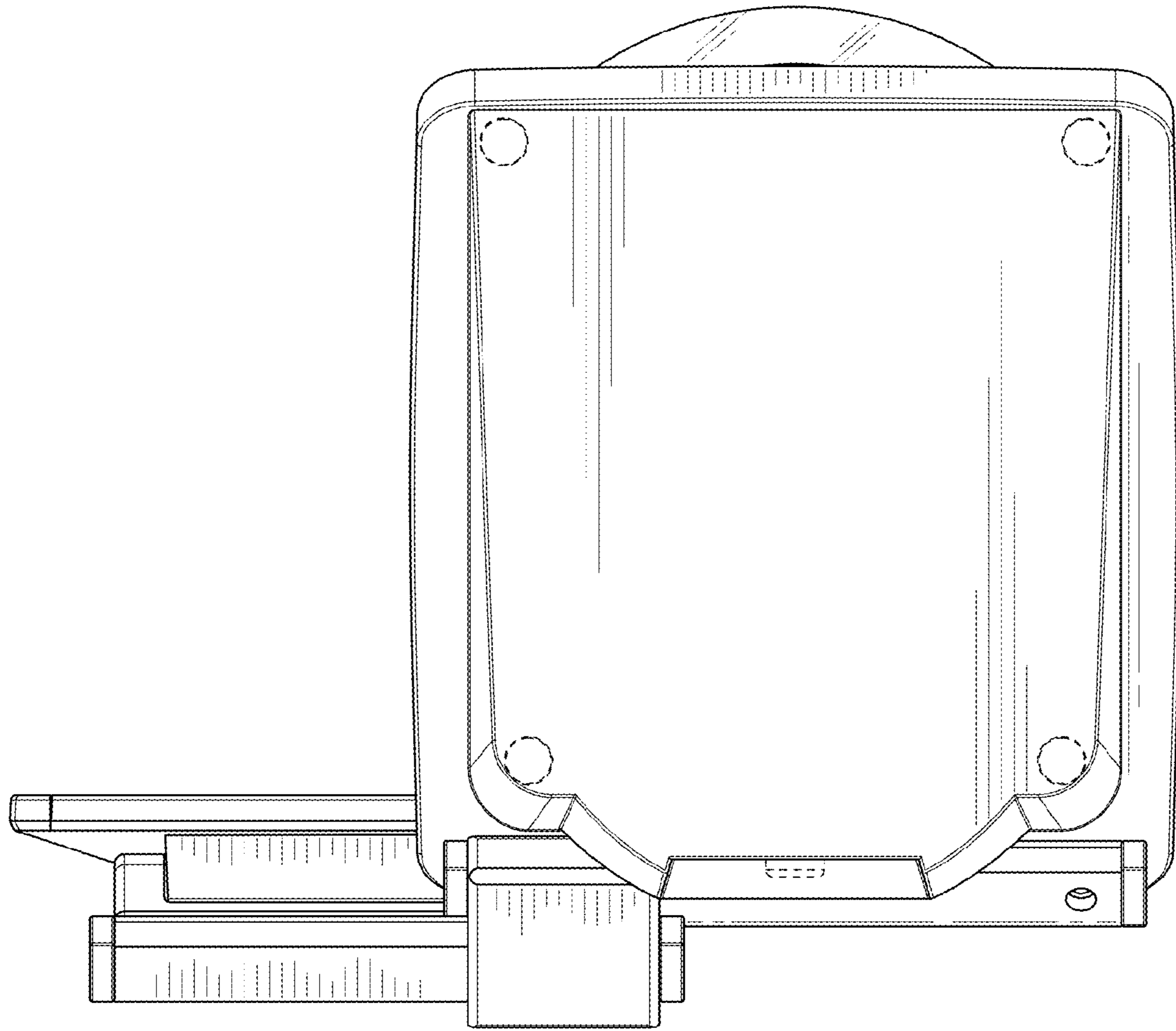


FIG. 13

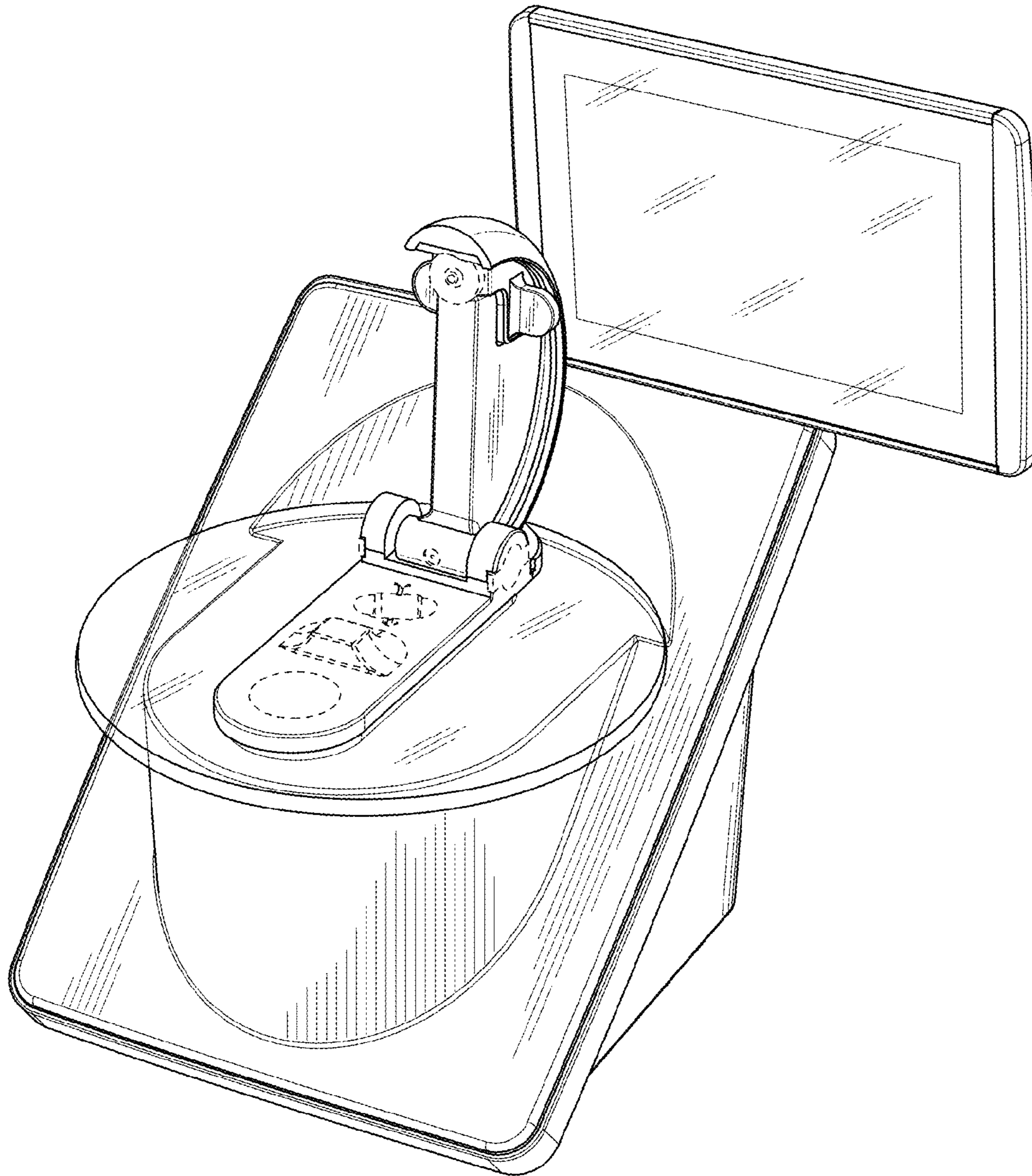


FIG. 14



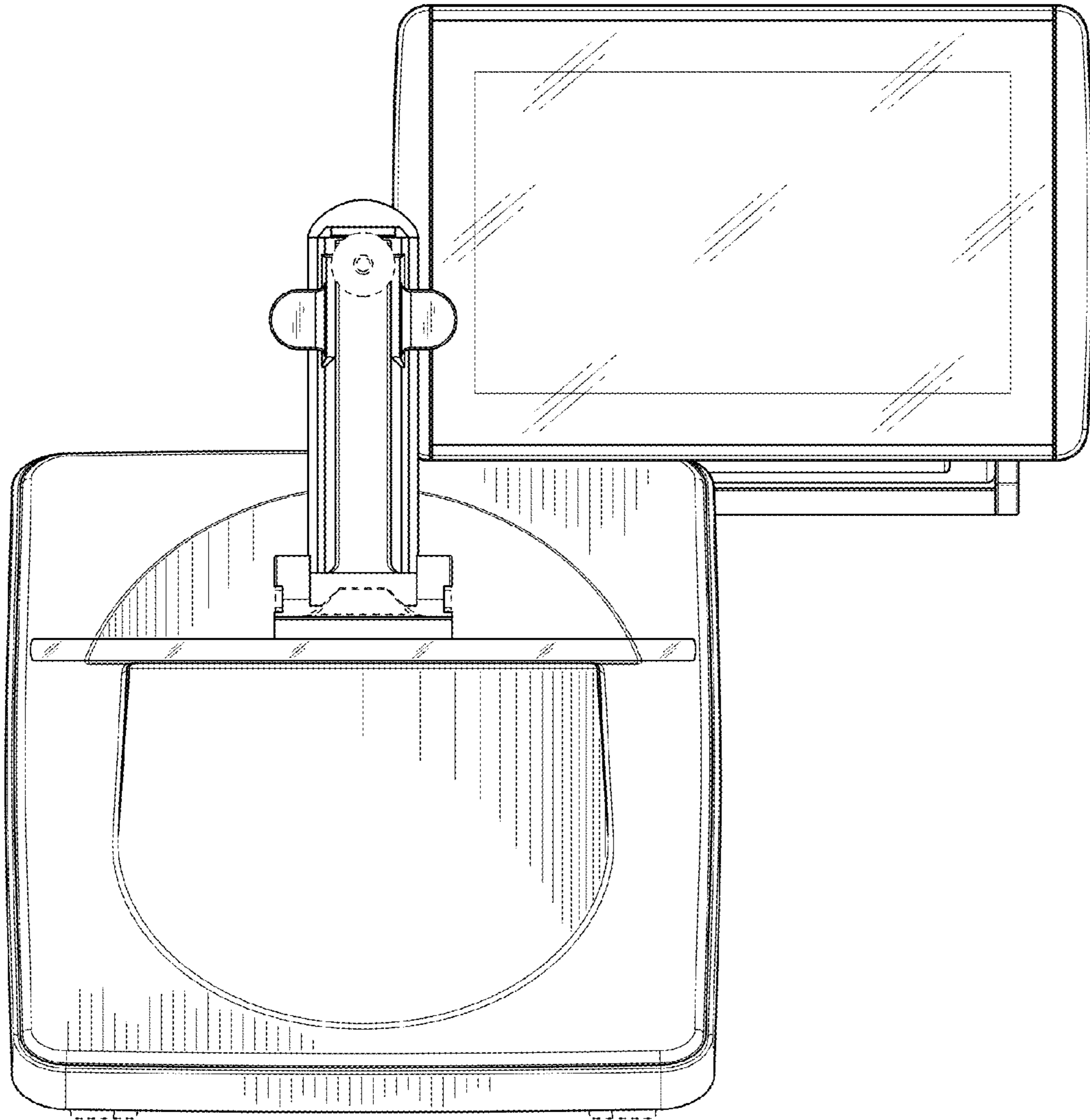


FIG. 15

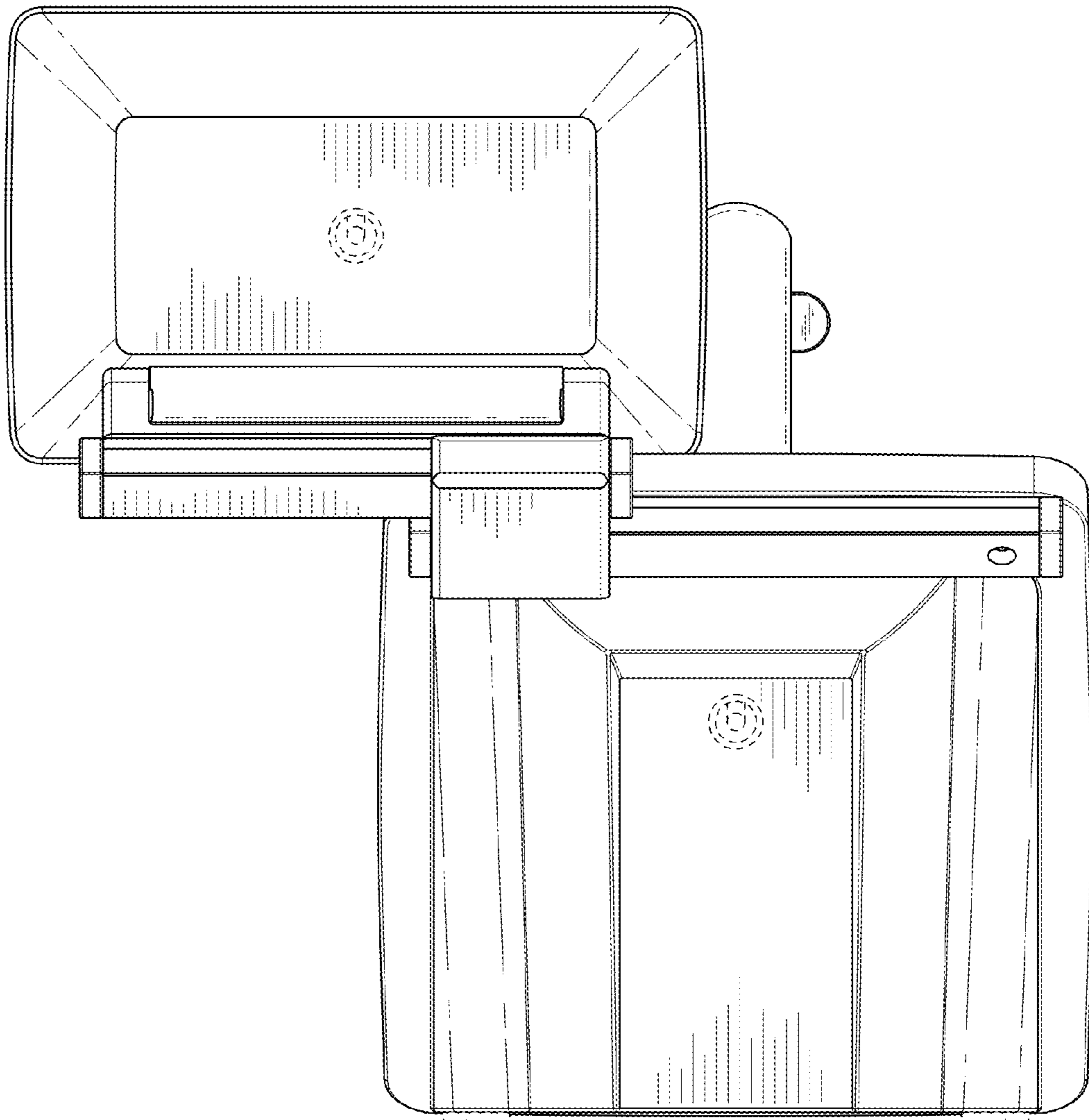


FIG. 16

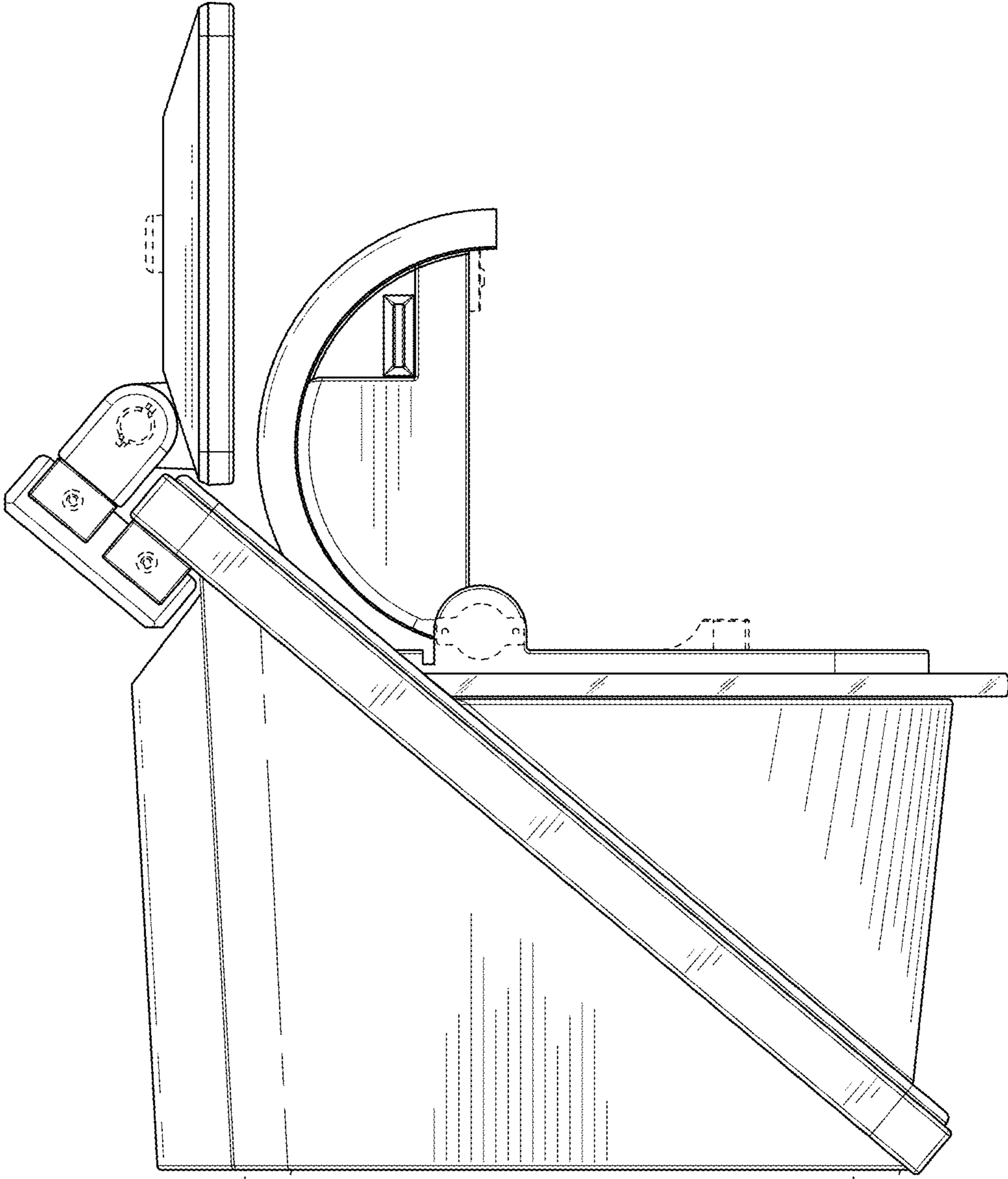


FIG. 17

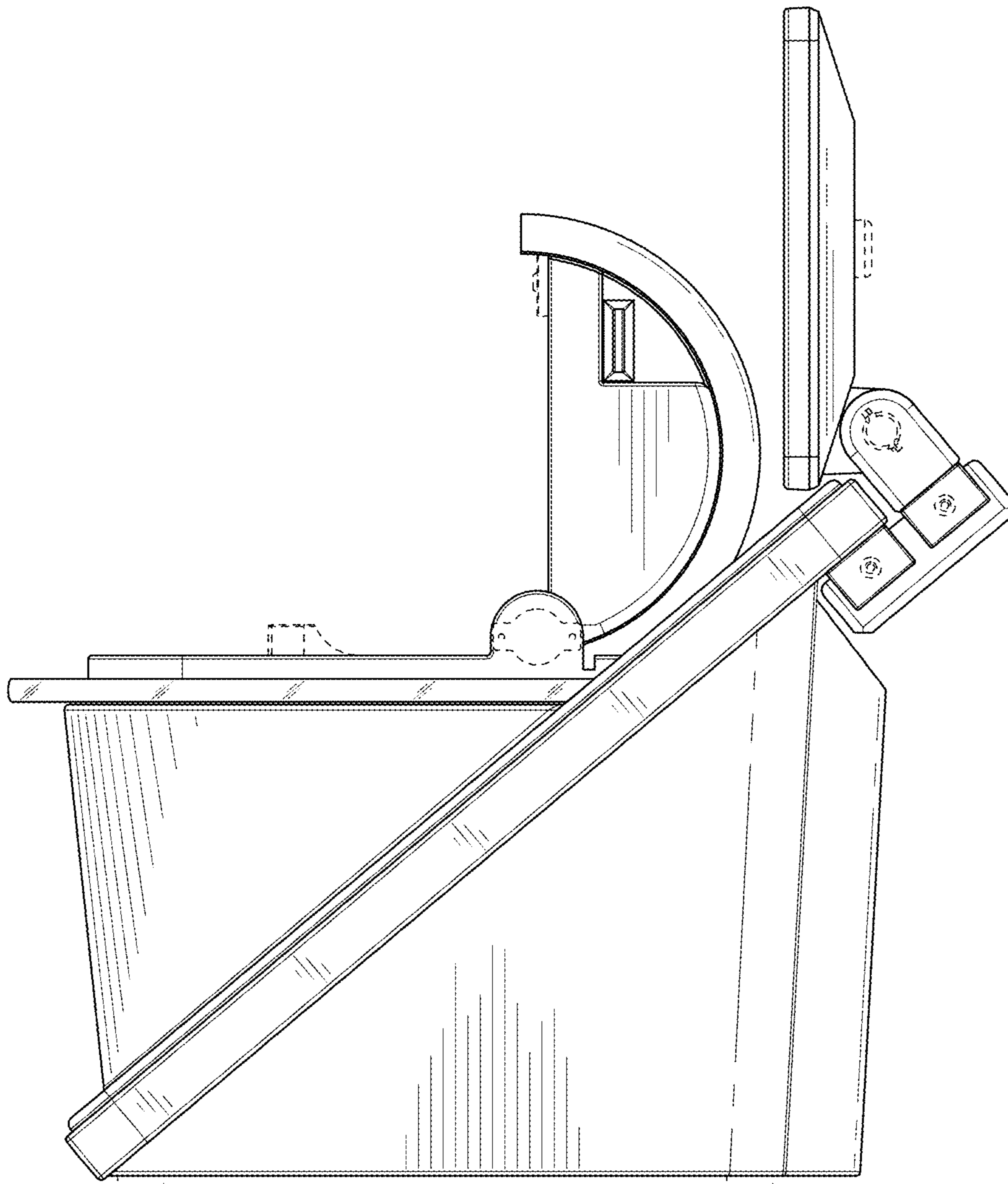


FIG. 18

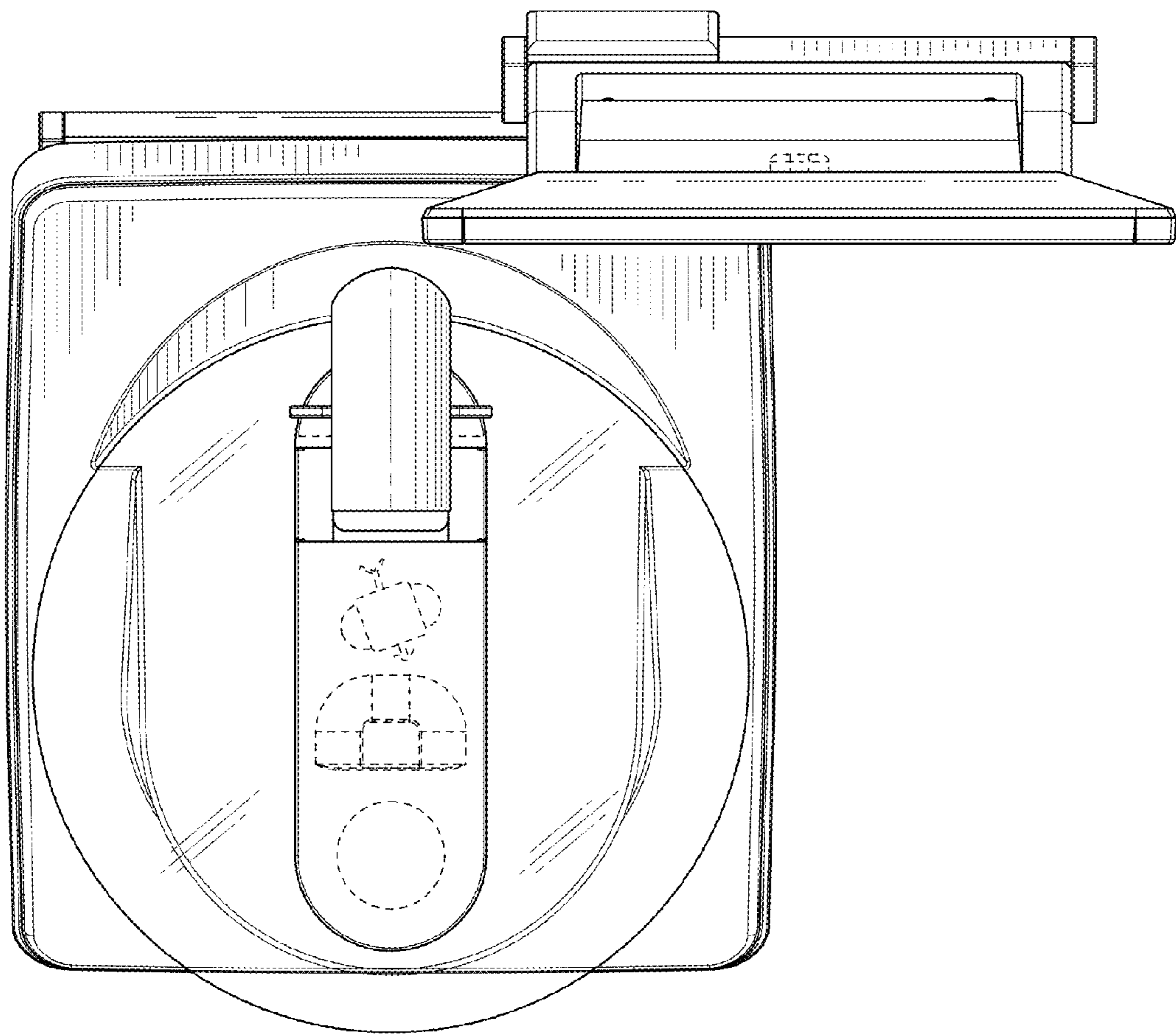


FIG. 19

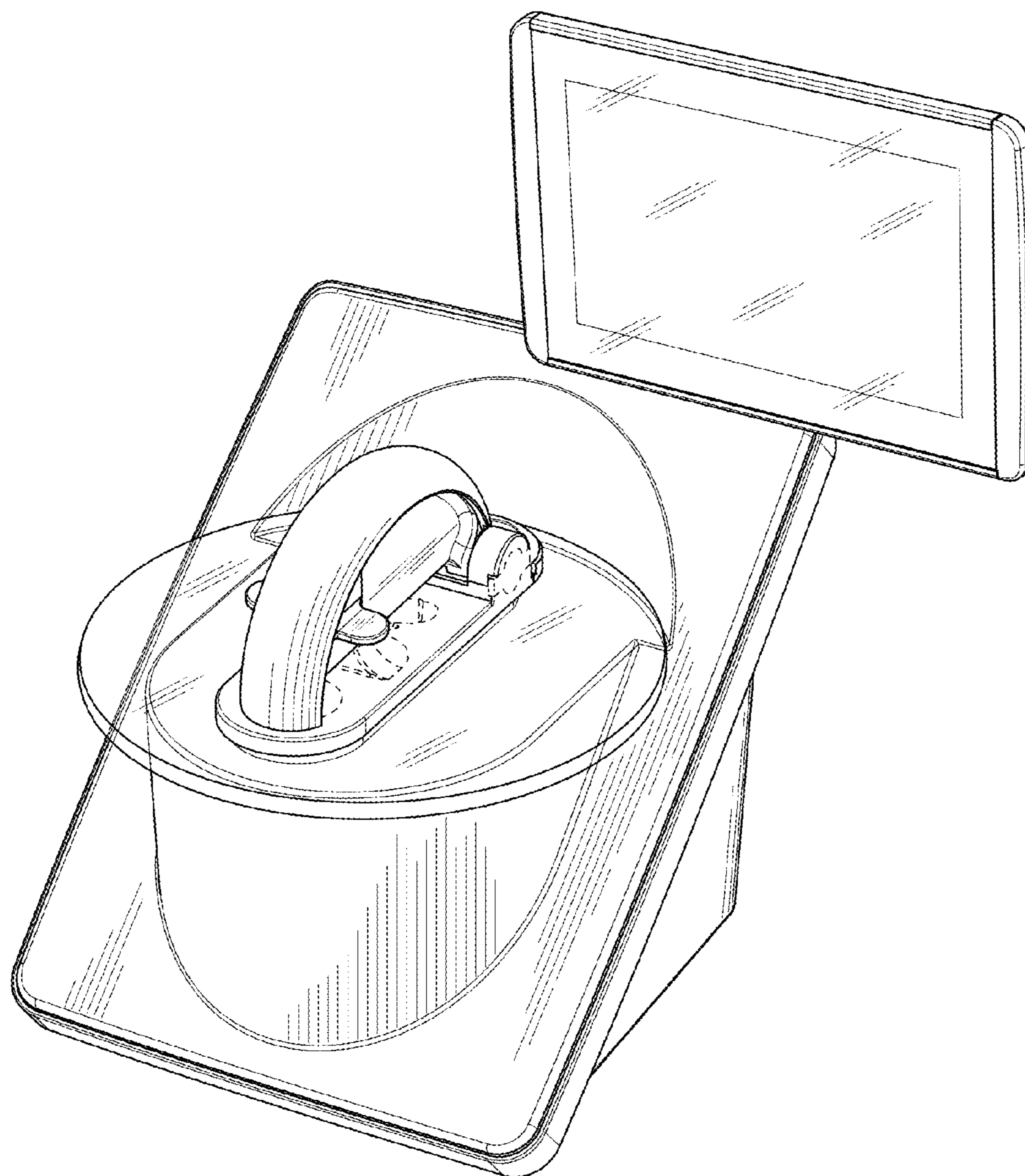


FIG. 20

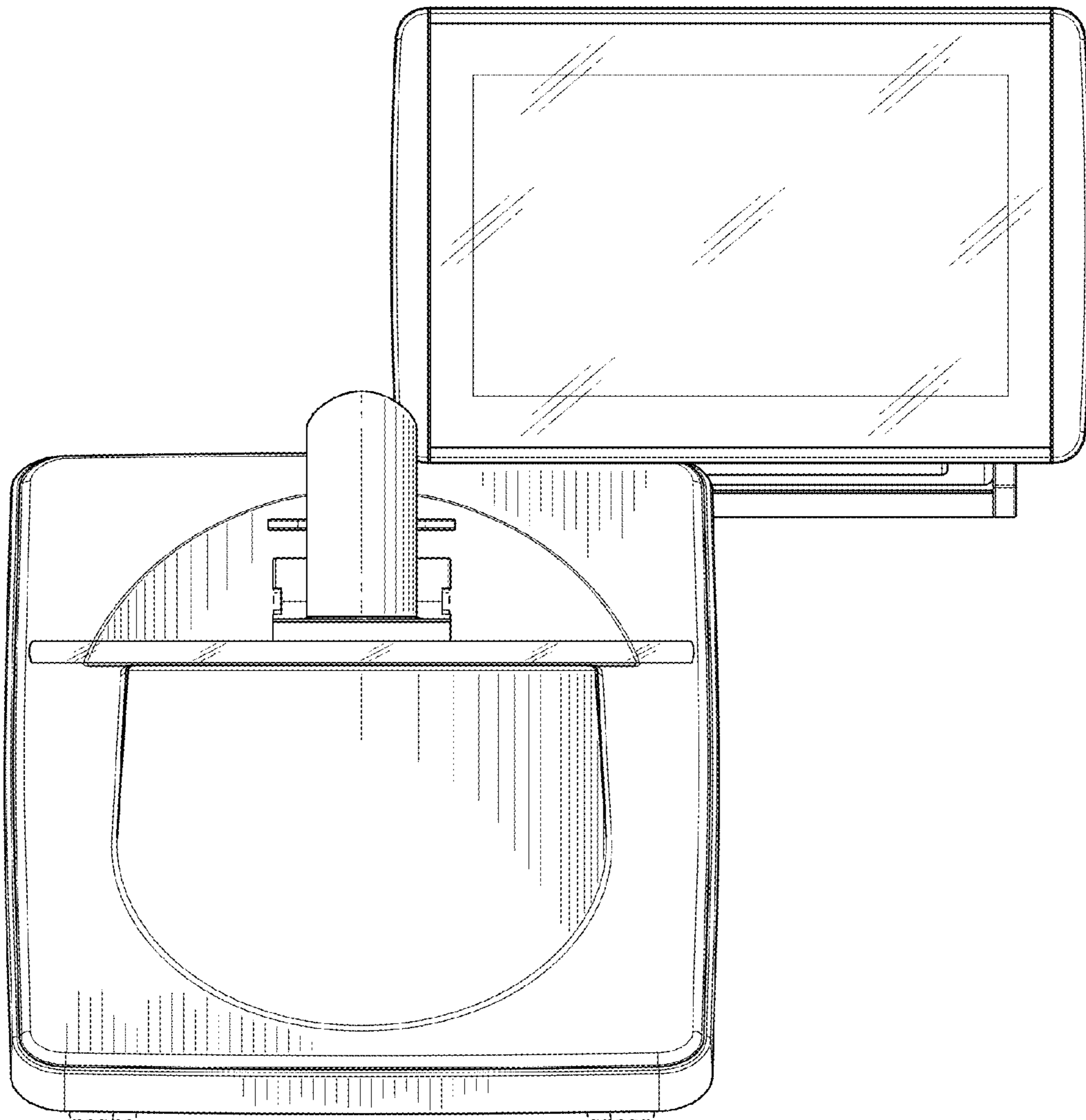


FIG. 21

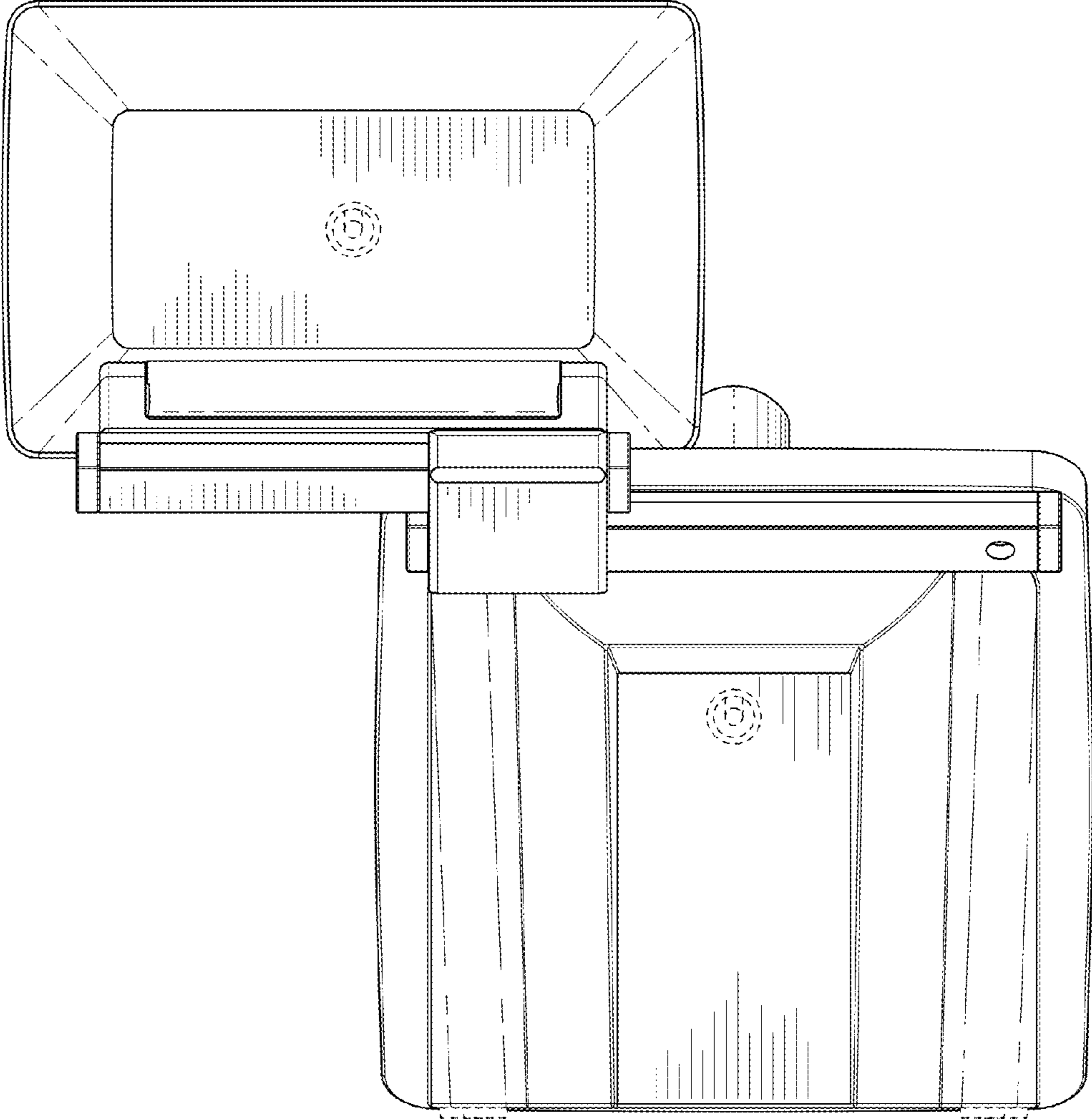


FIG. 22



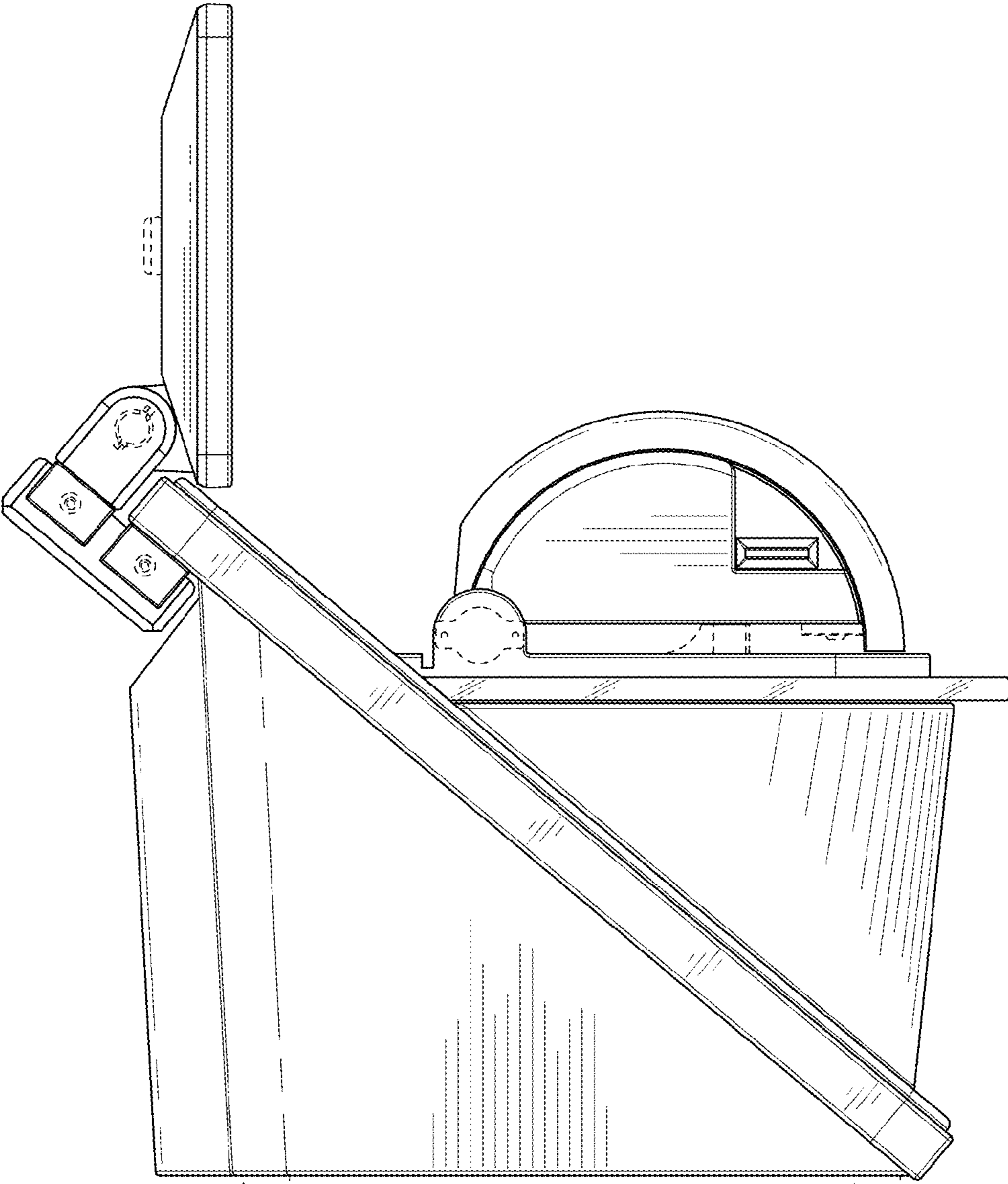


FIG. 23

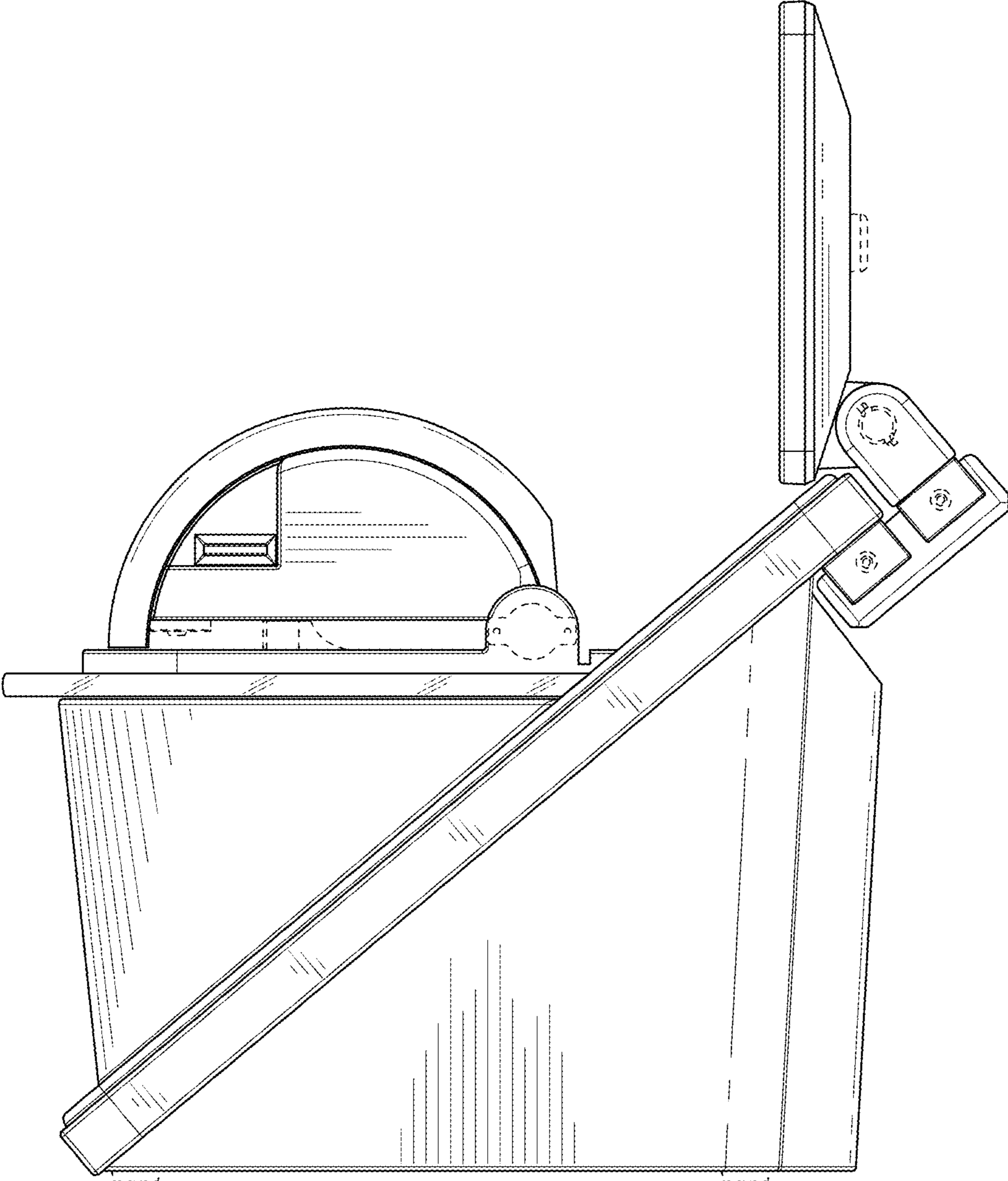


FIG. 24

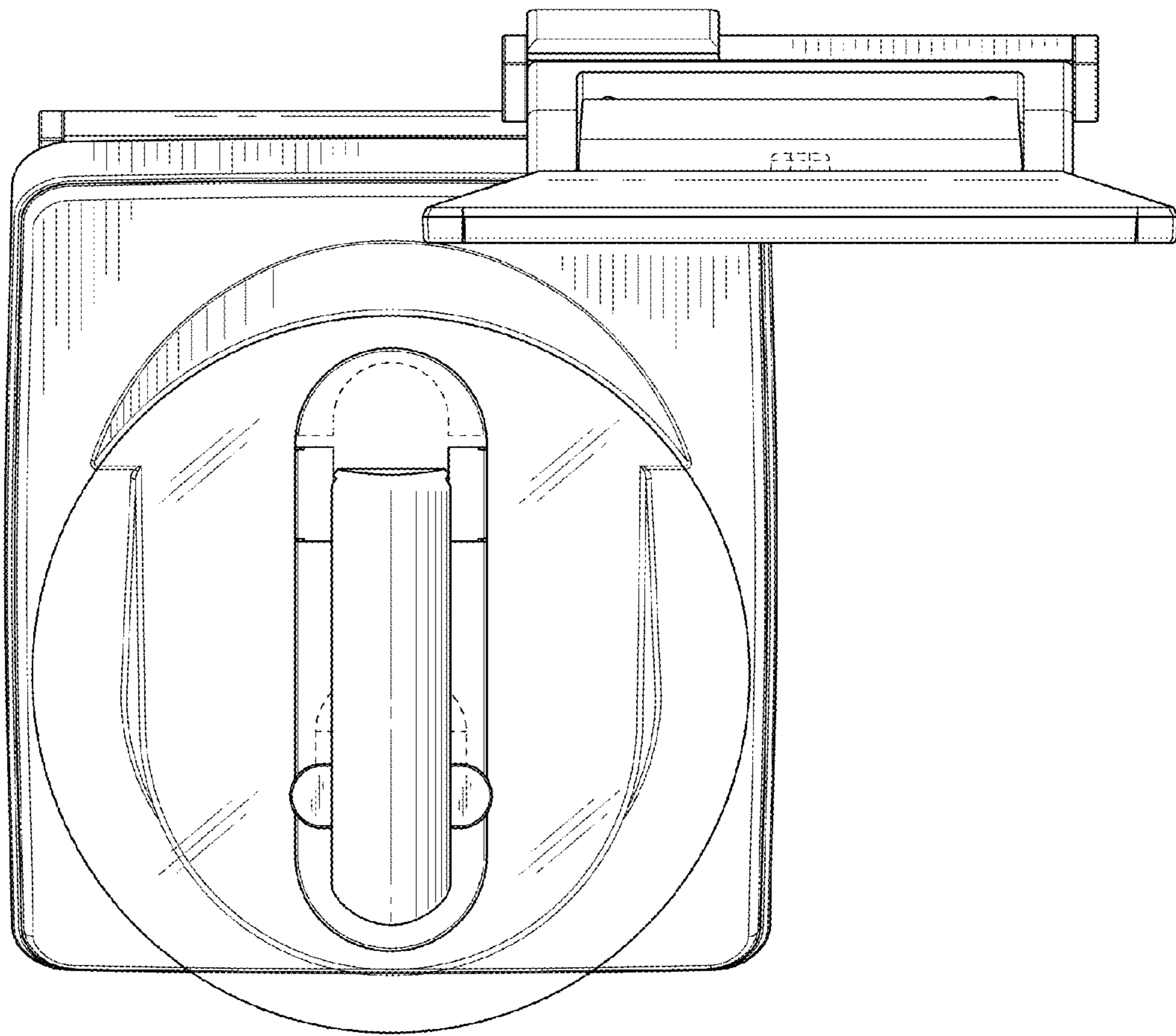


FIG. 25

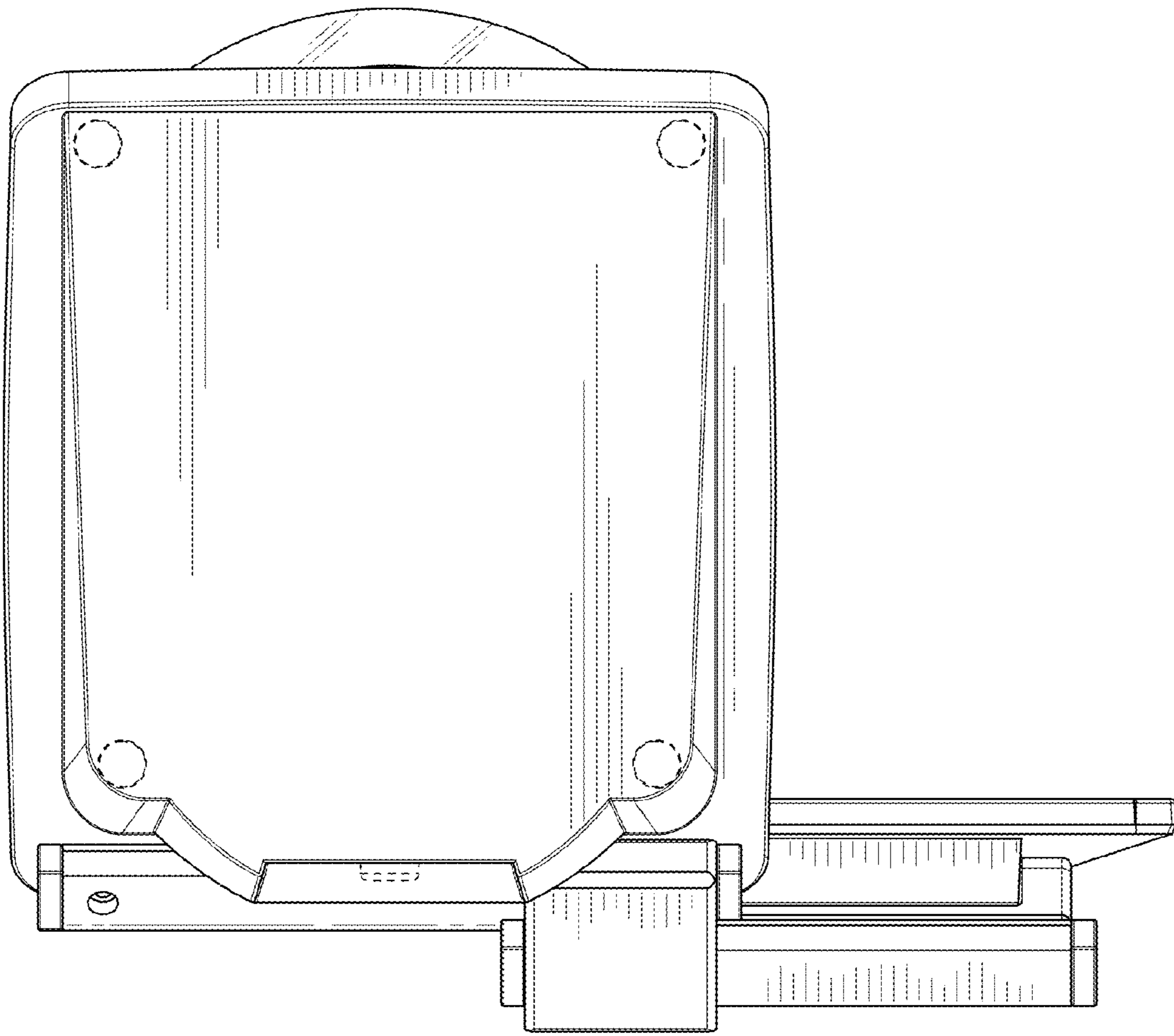


FIG. 26

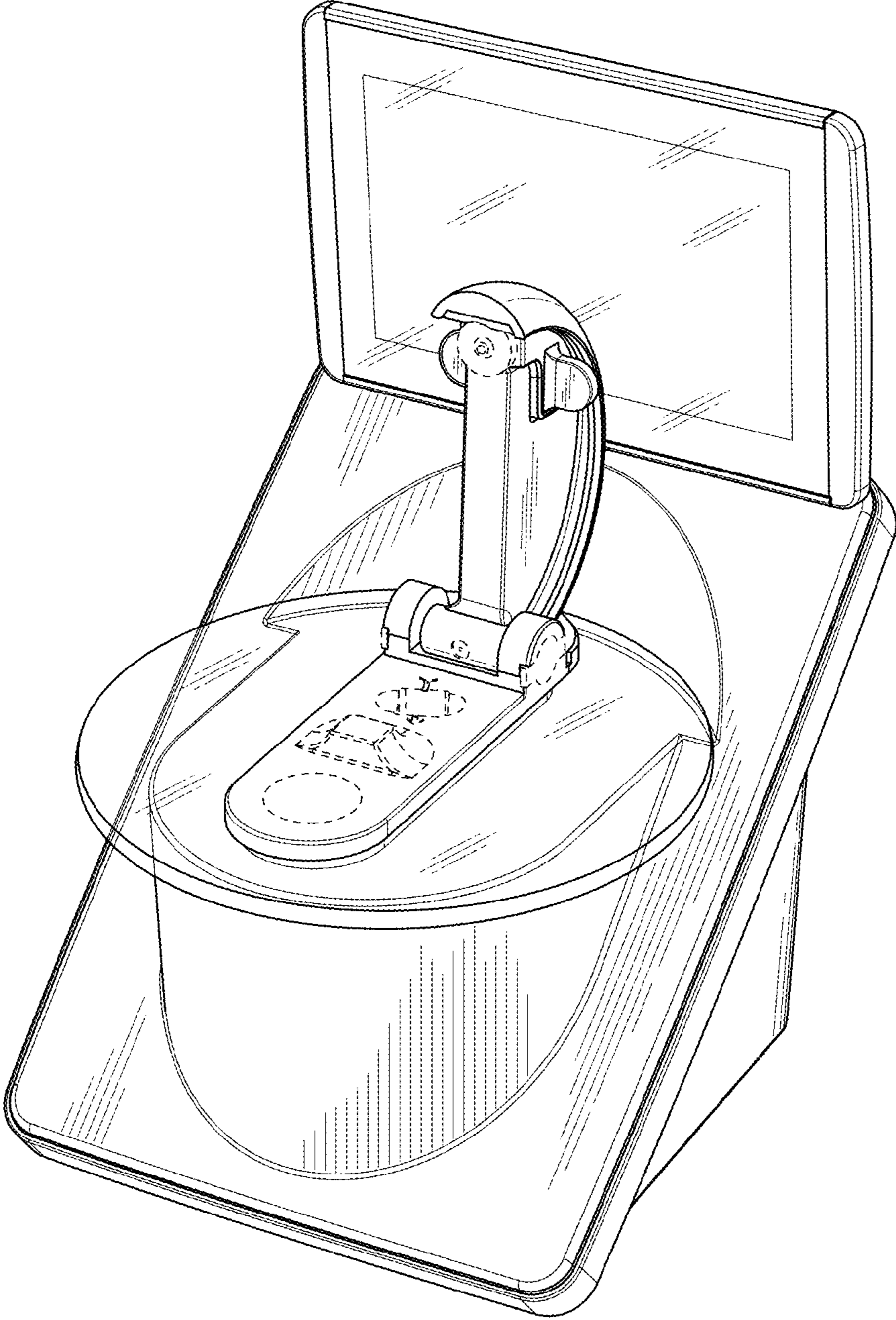


FIG. 27

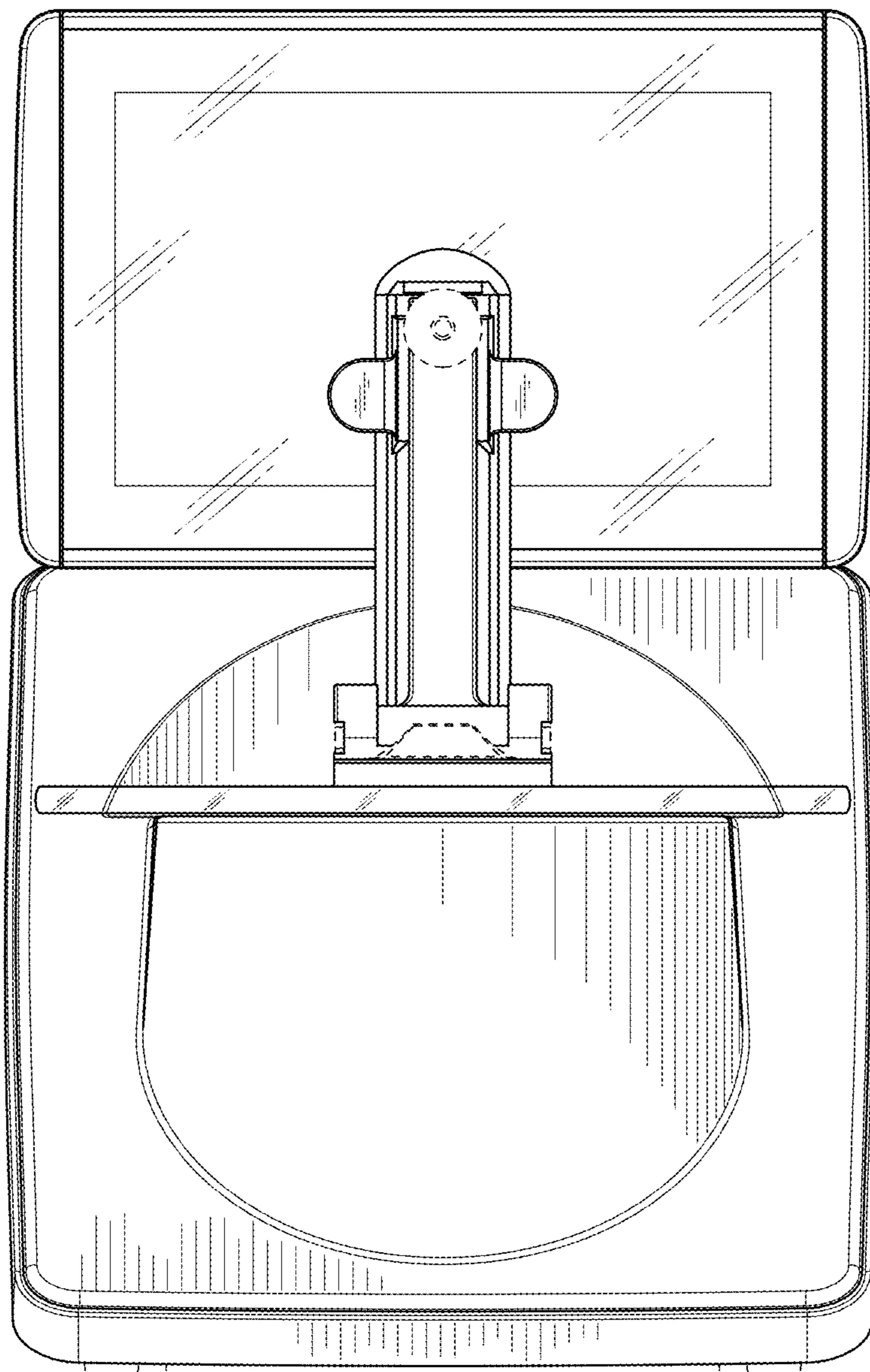


FIG. 28

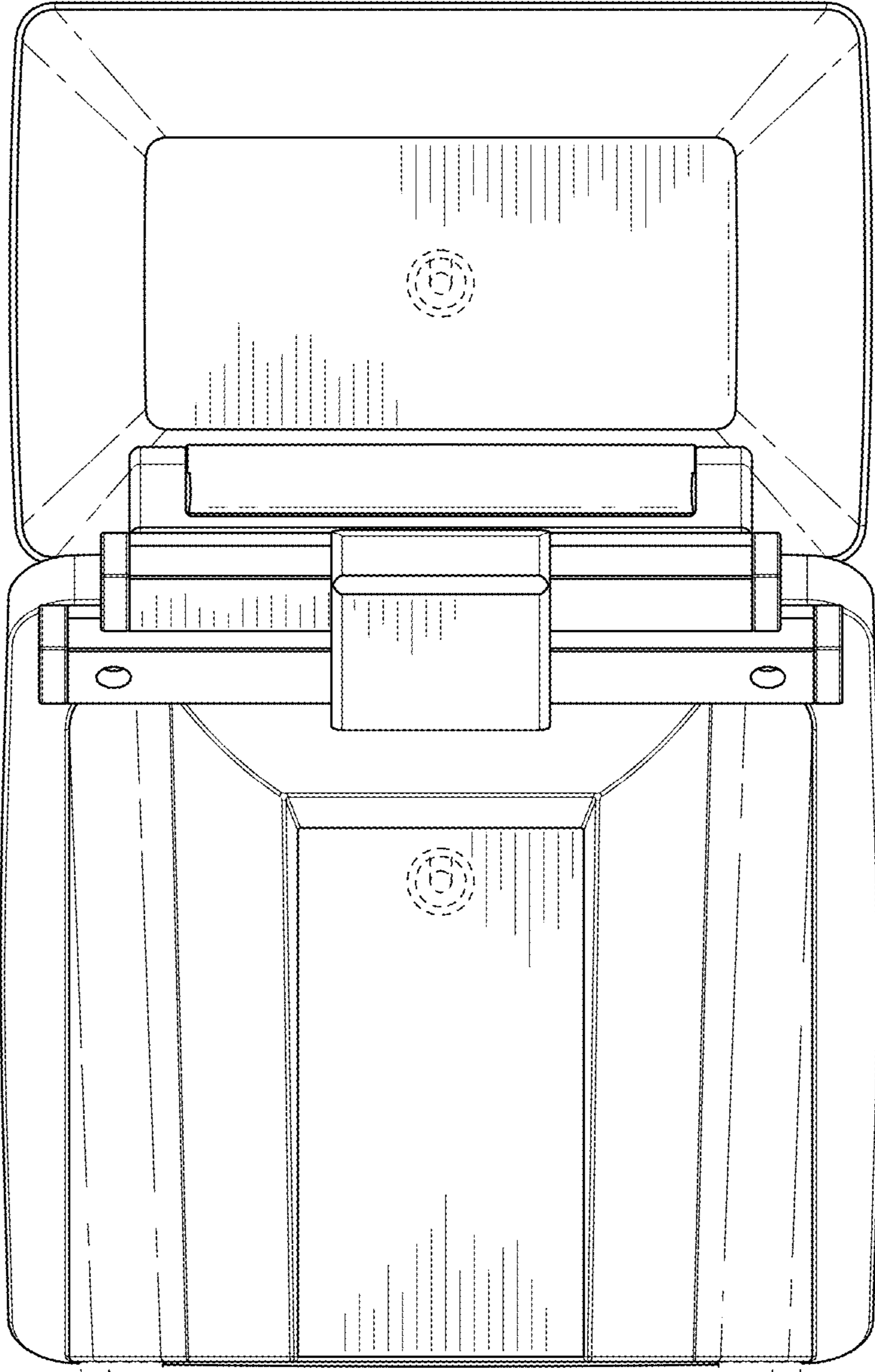


FIG. 29

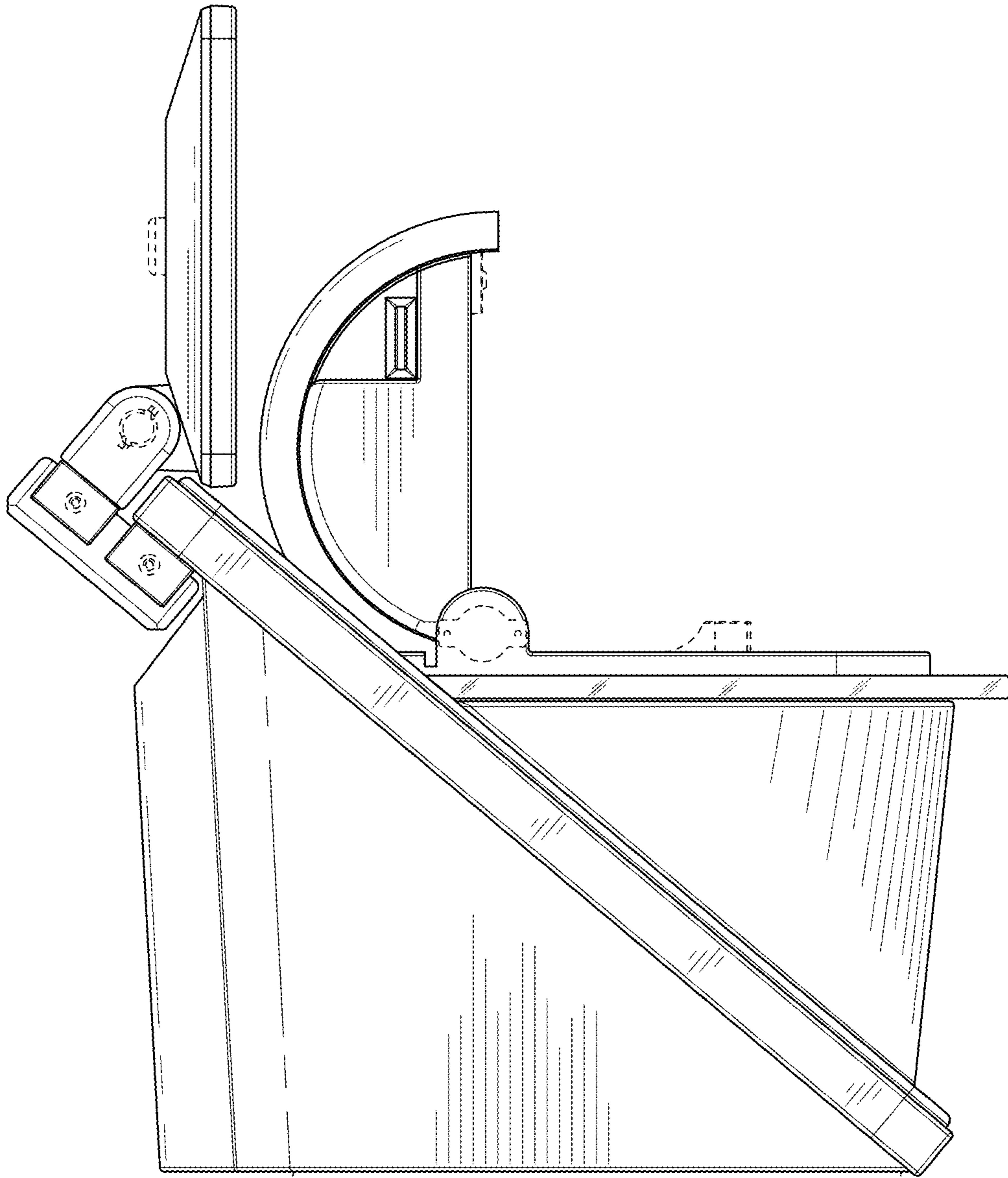


FIG. 30



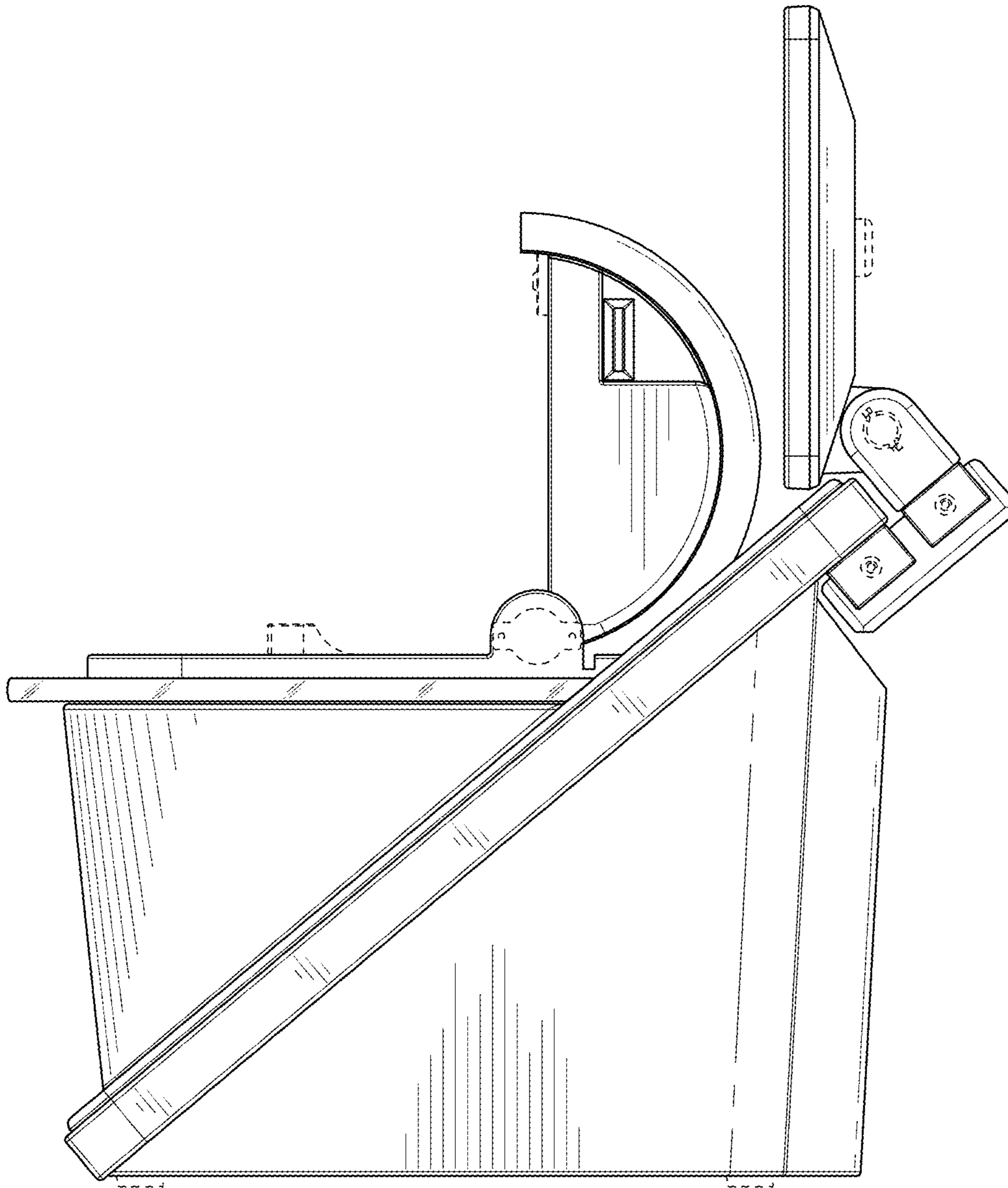


FIG. 31

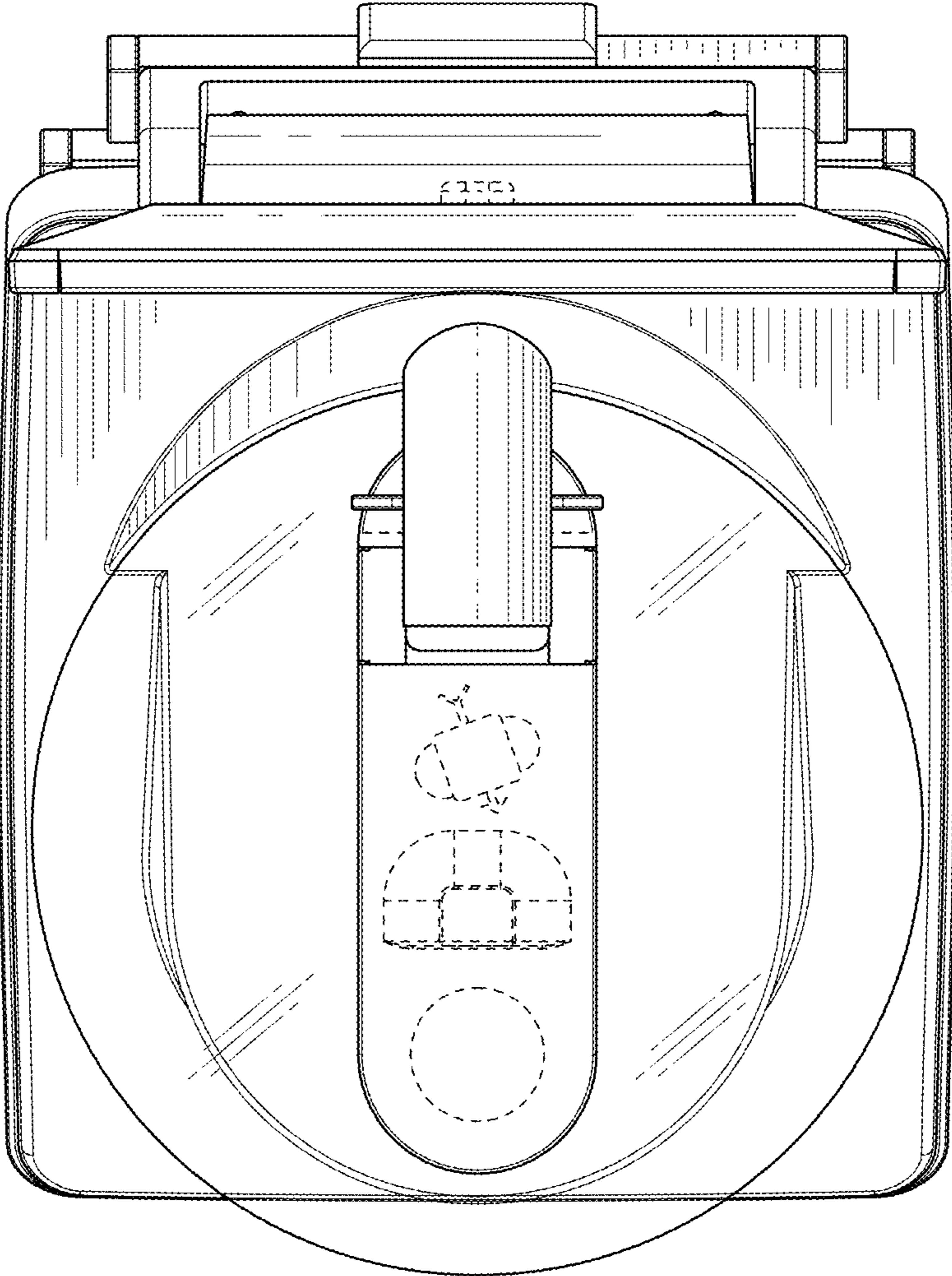


FIG. 32

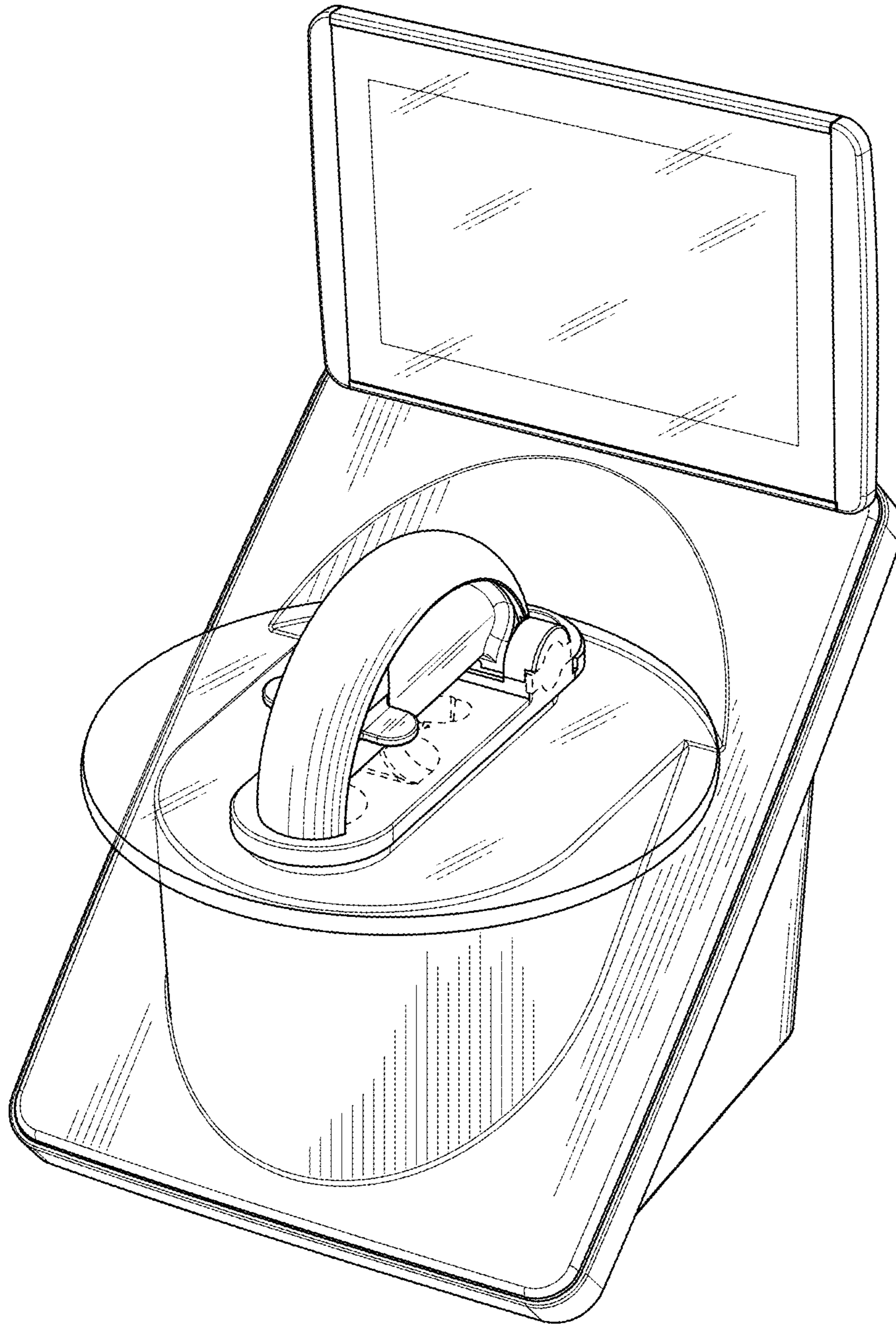


FIG. 33

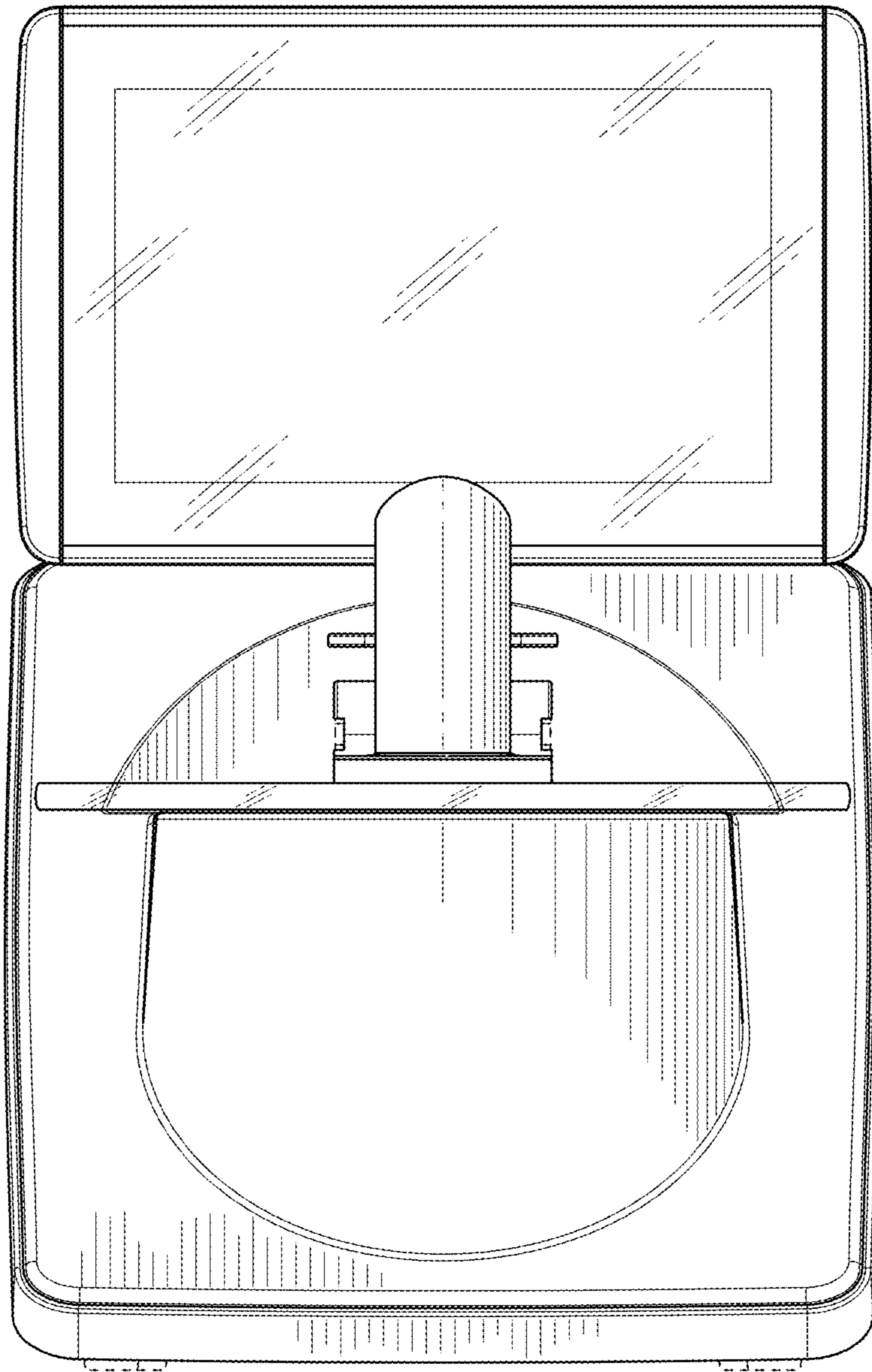


FIG. 34

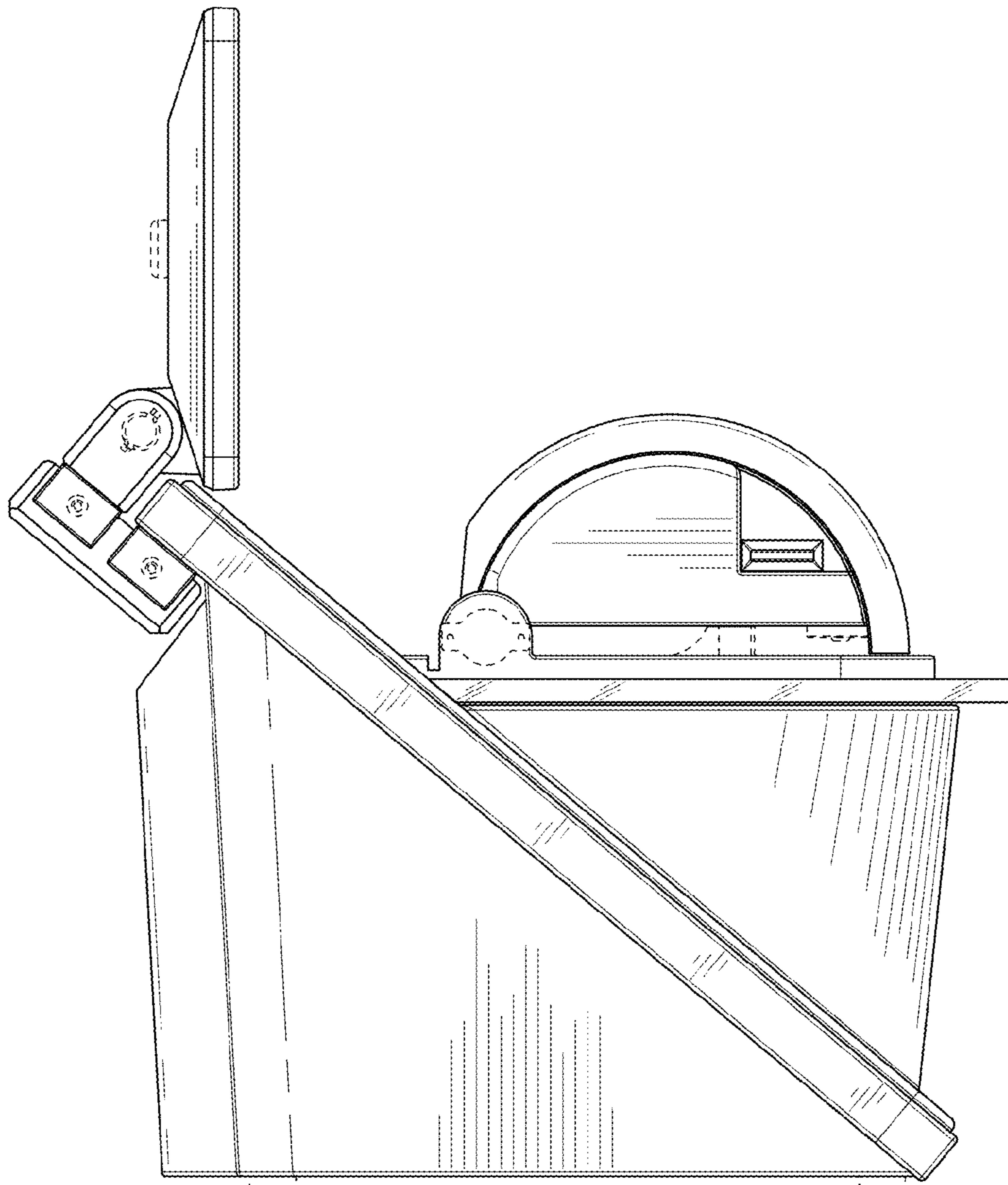


FIG. 35

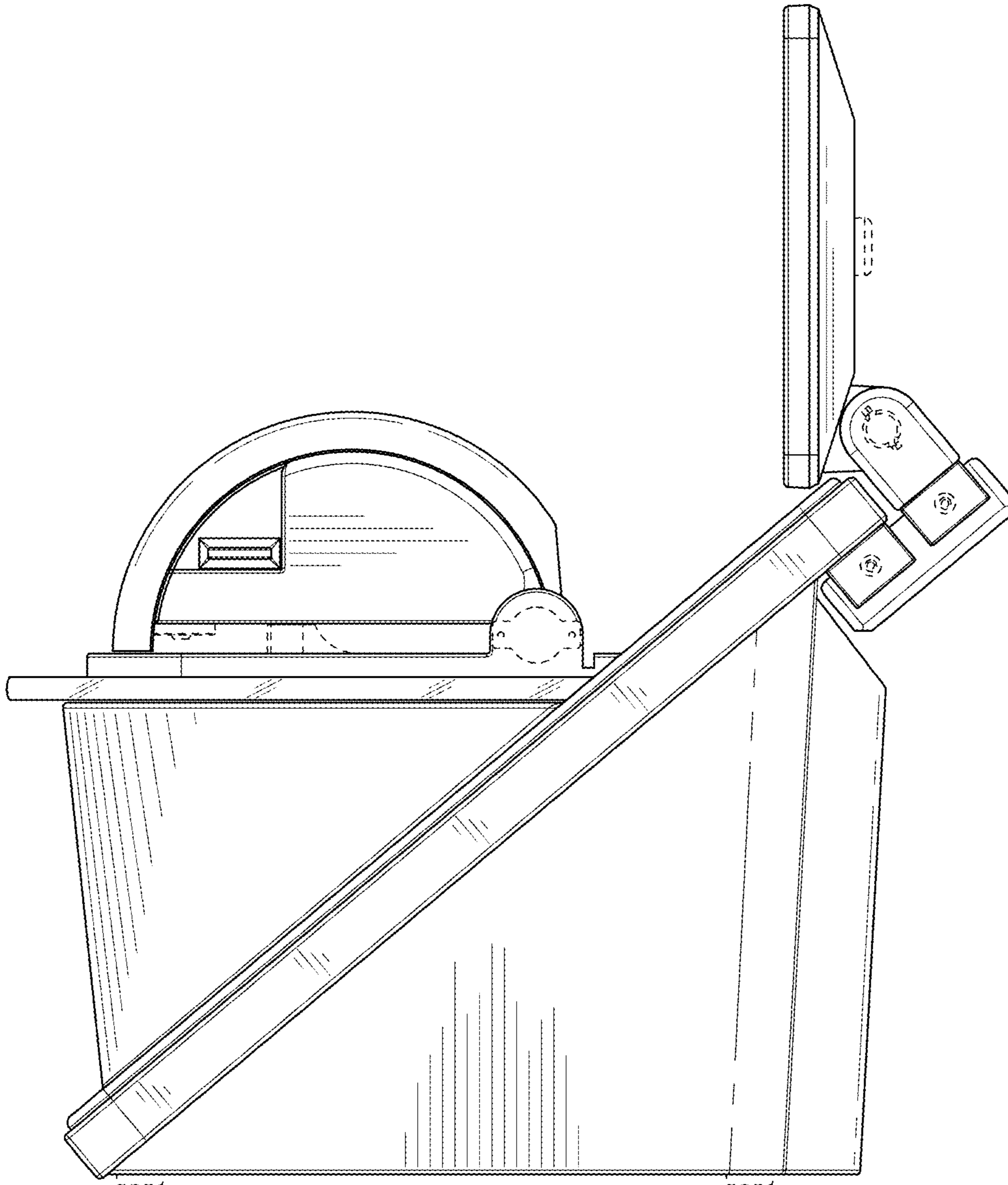


FIG. 36

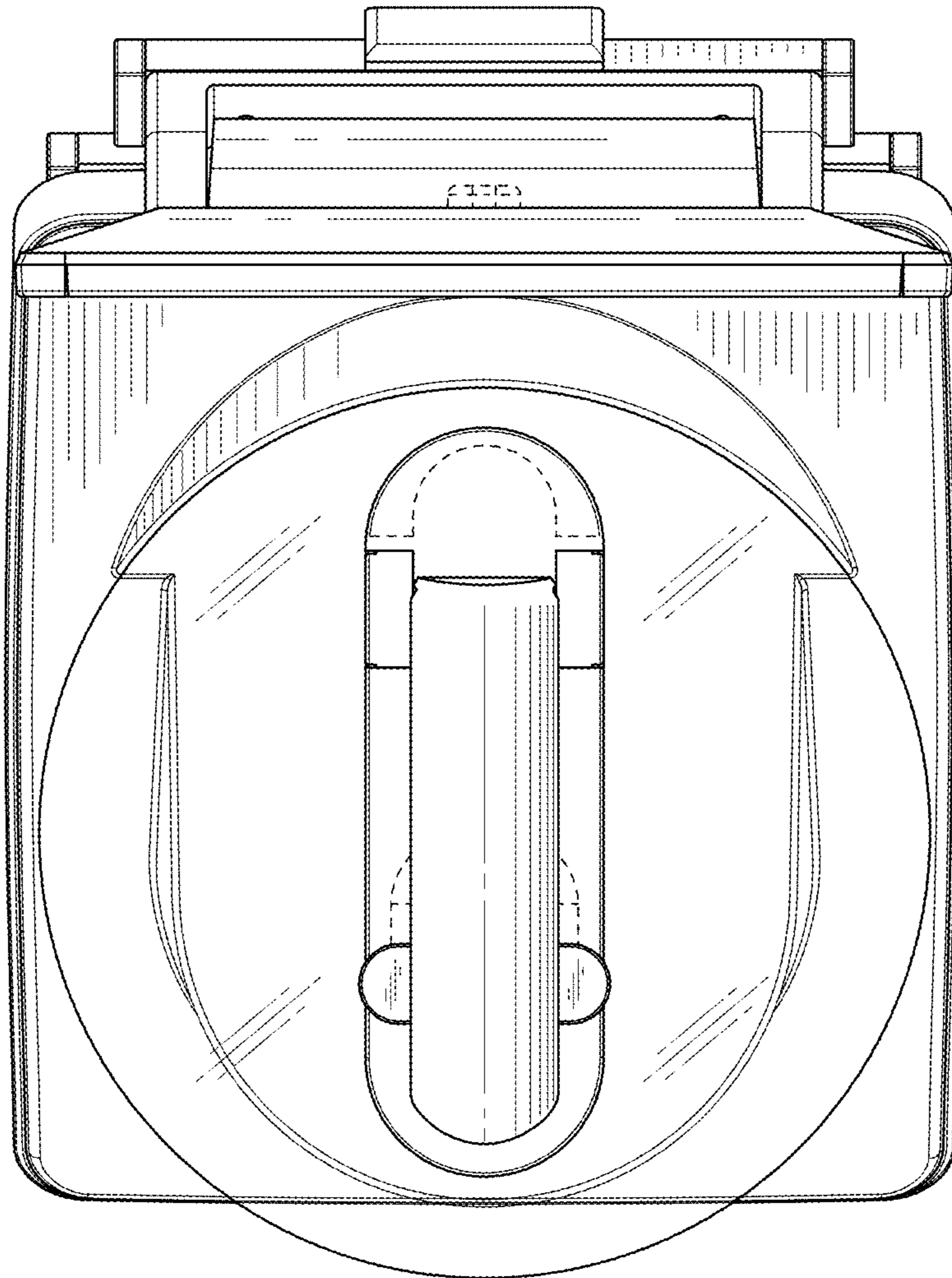


FIG. 37

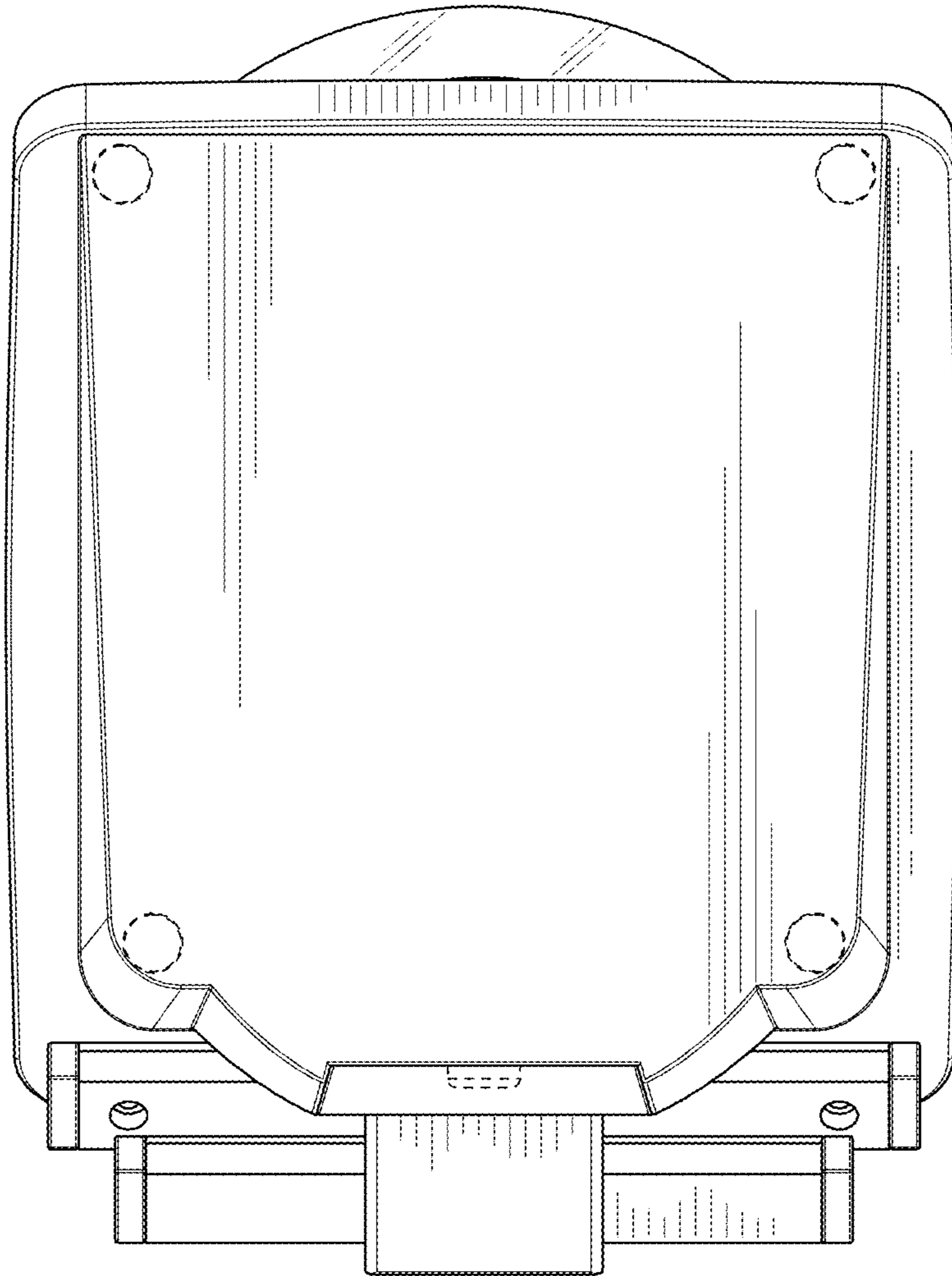


FIG. 38



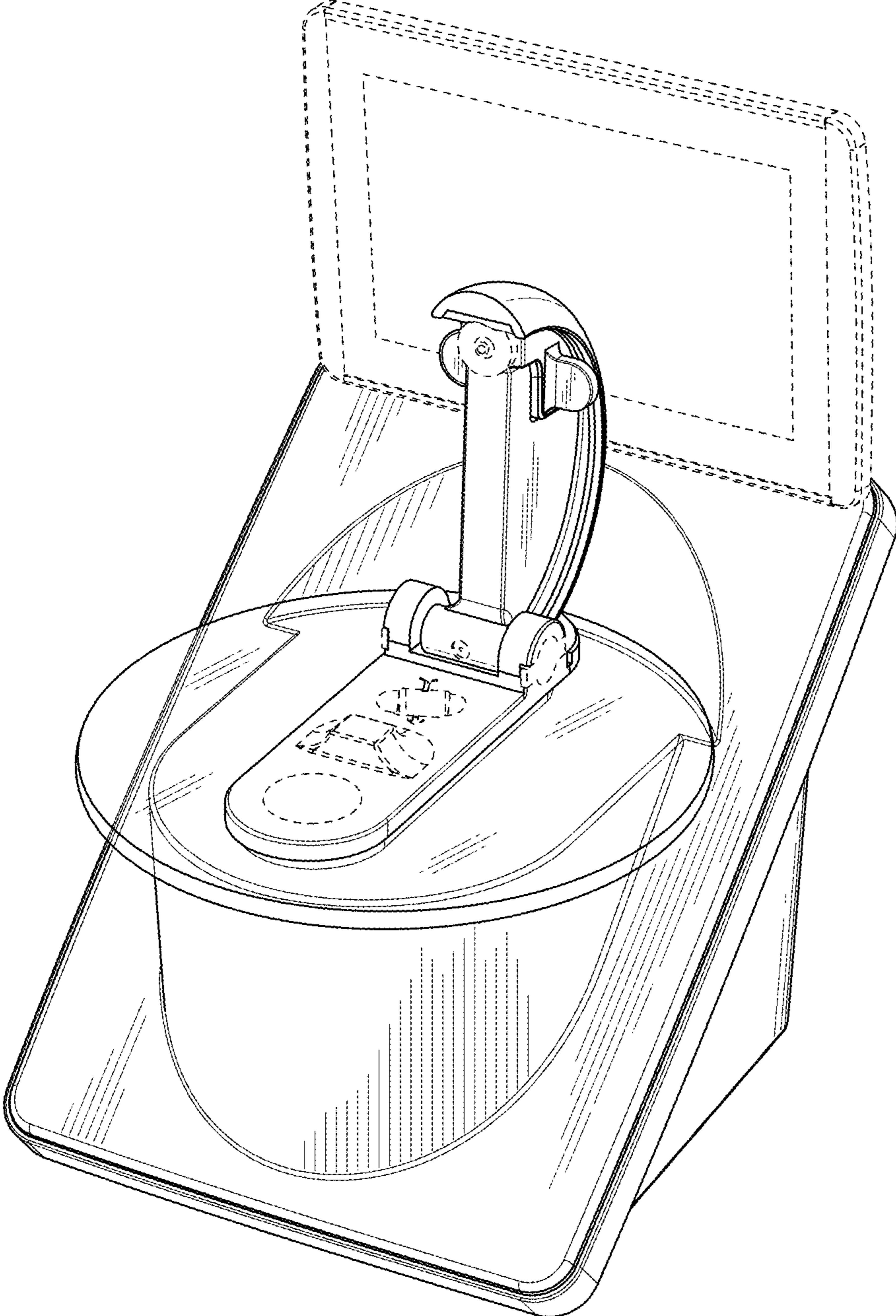


FIG. 39

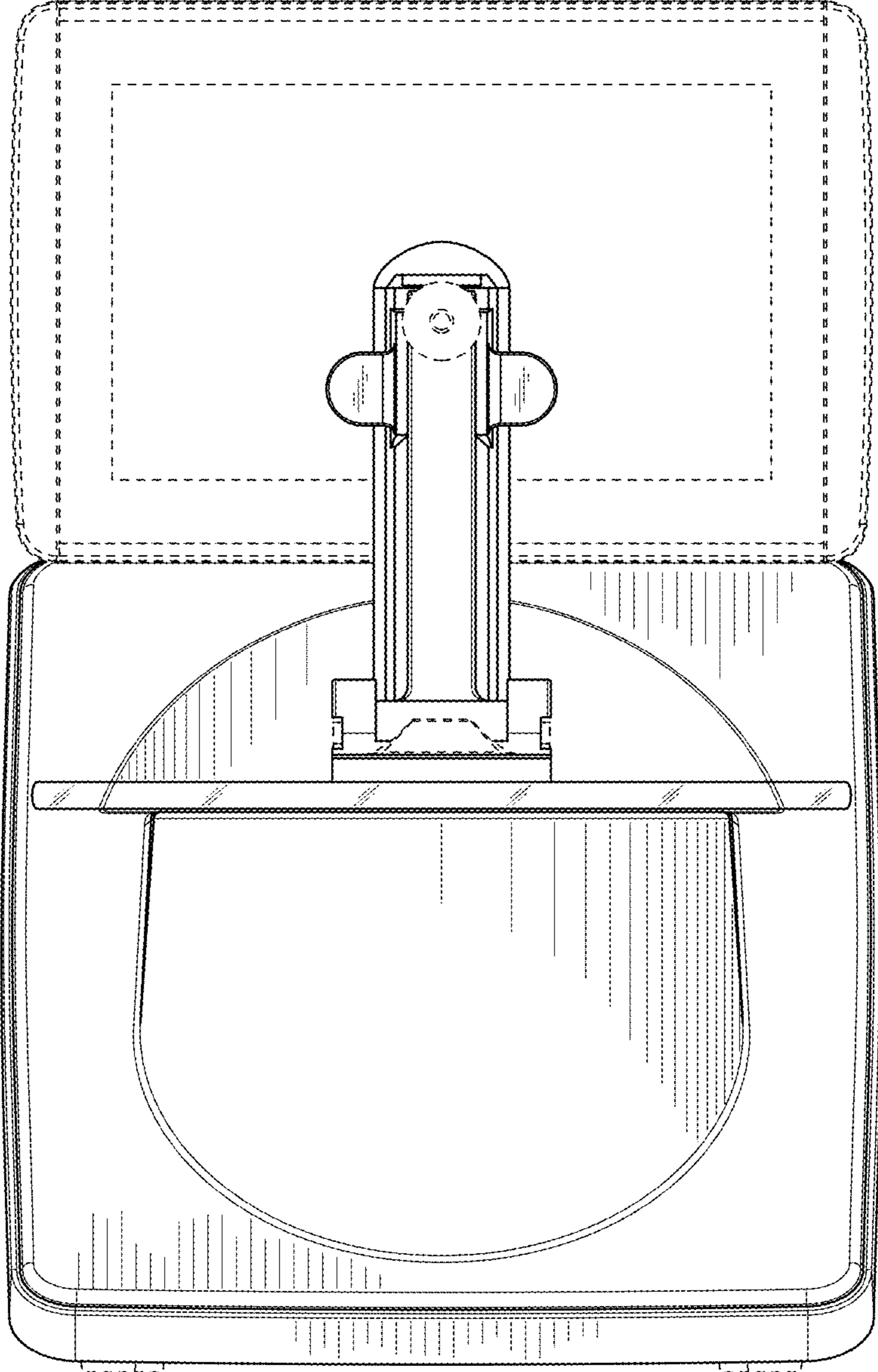


FIG. 40

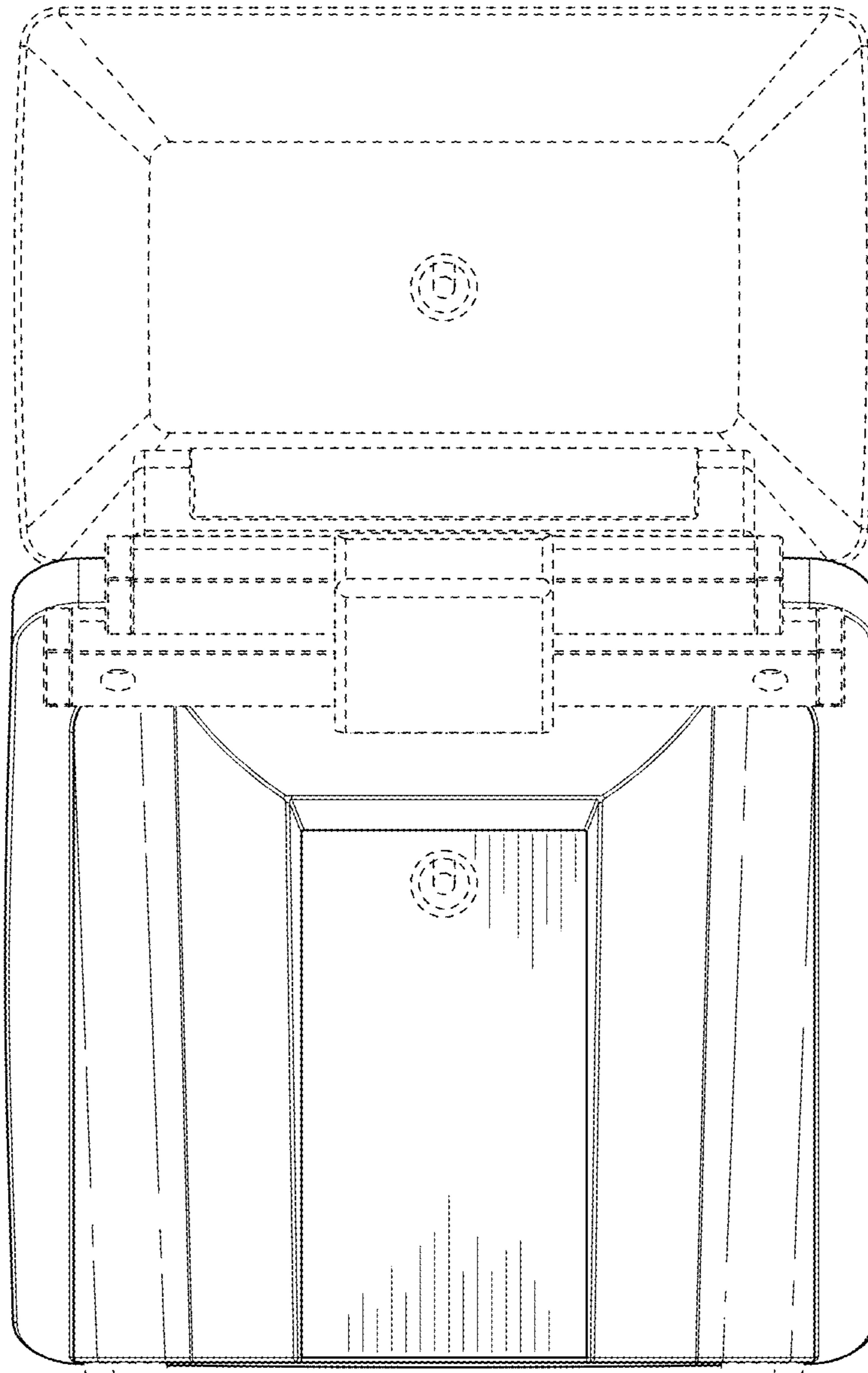


FIG. 41

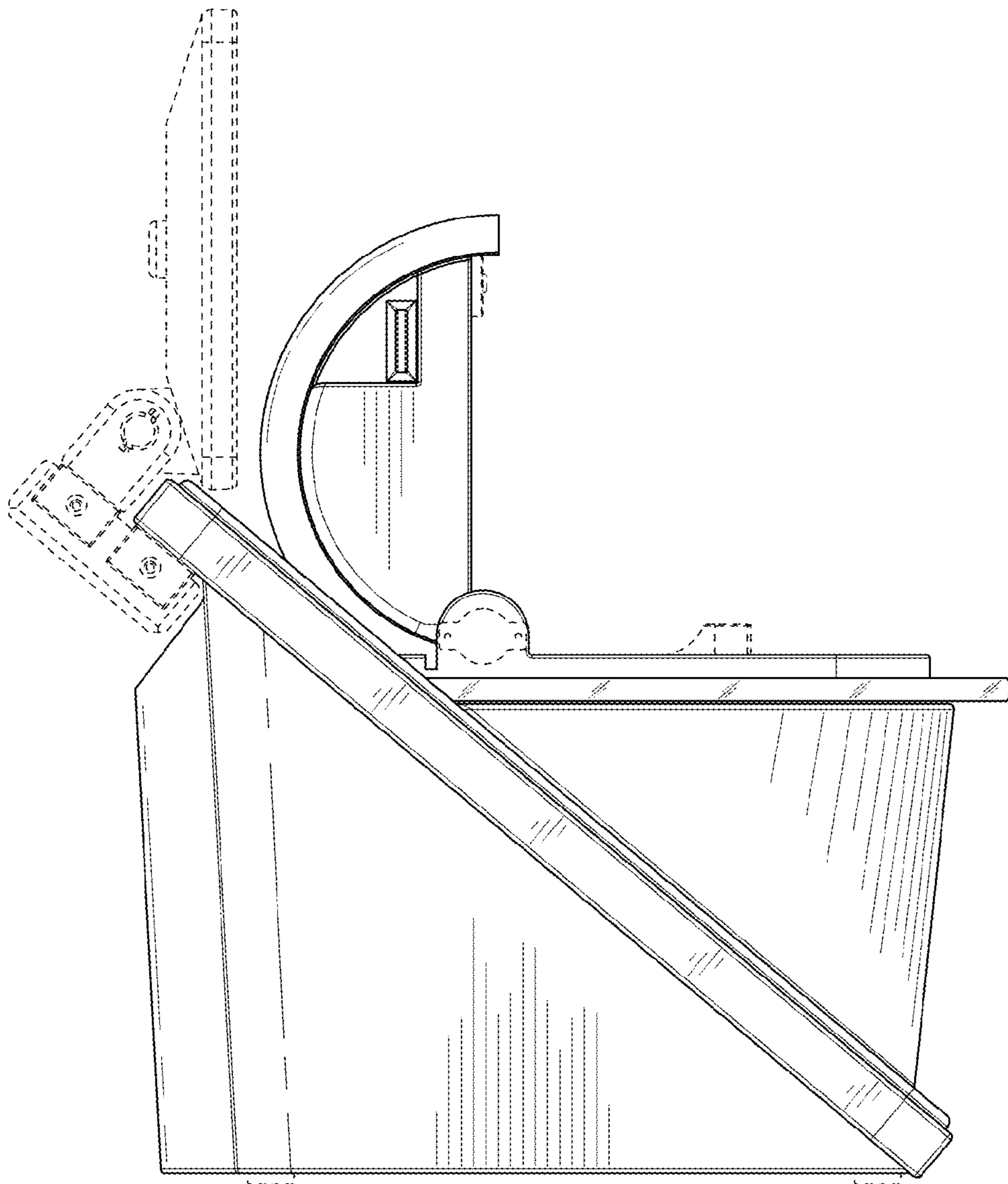


FIG. 42

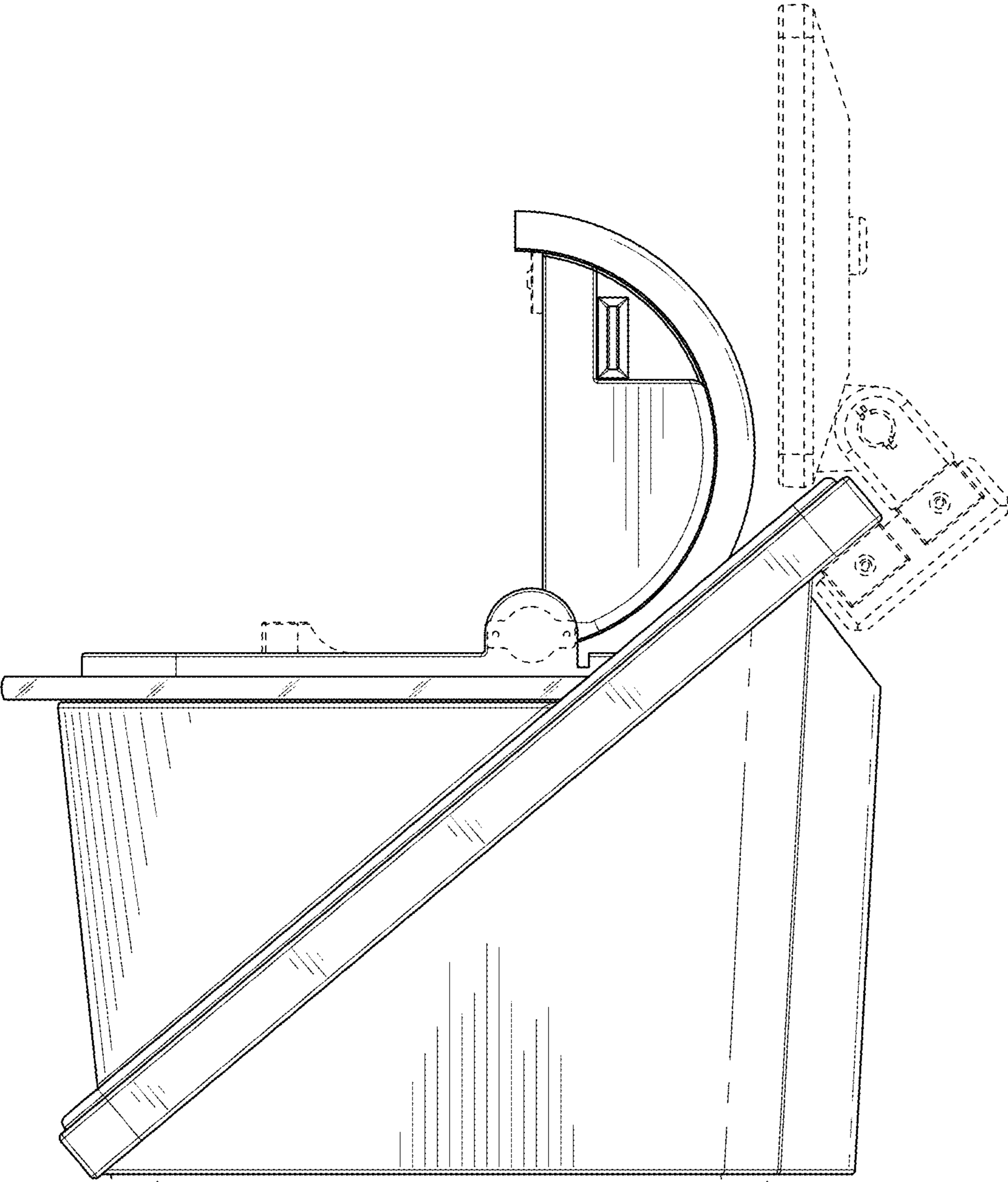


FIG. 43

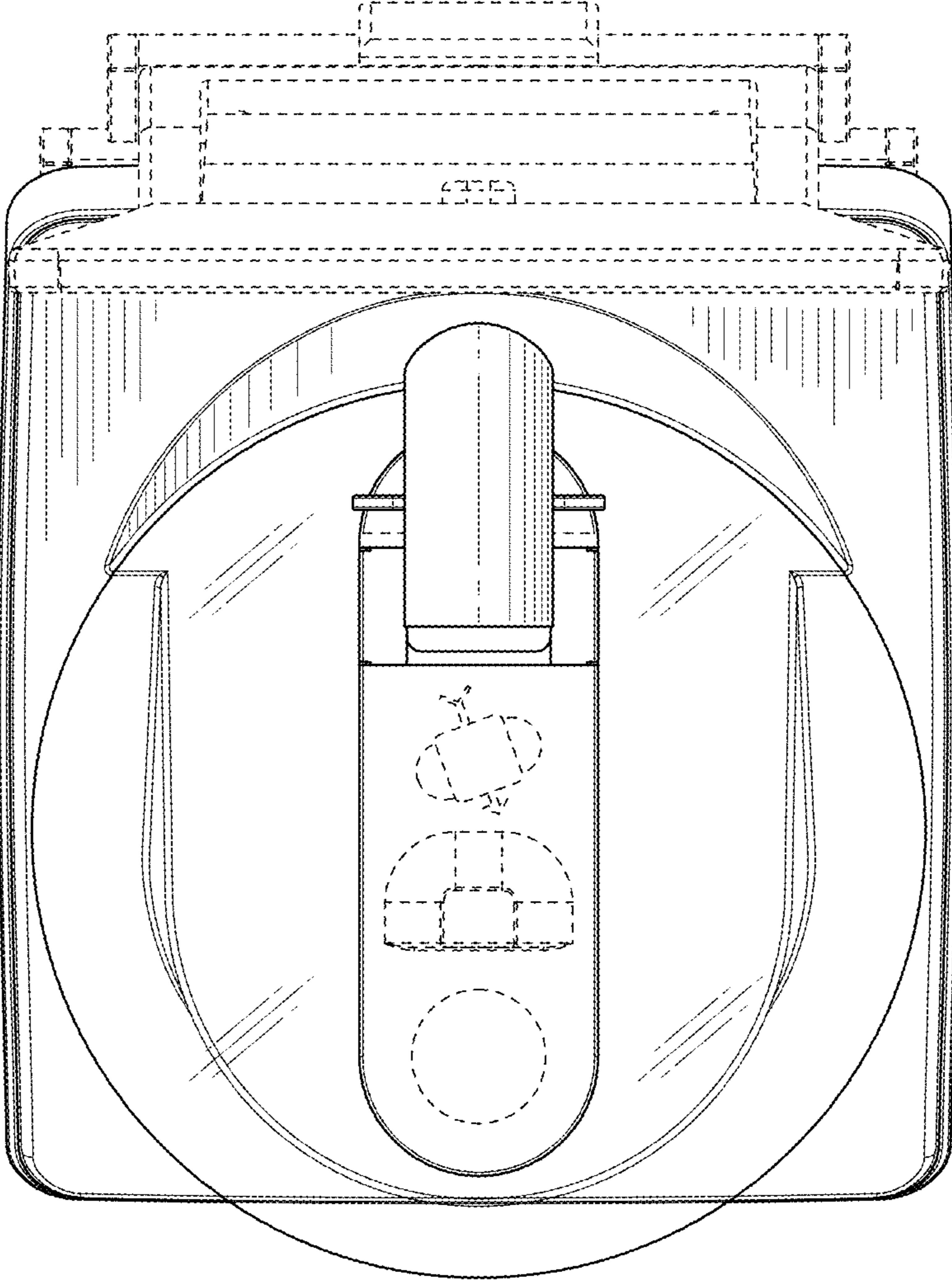


FIG. 44

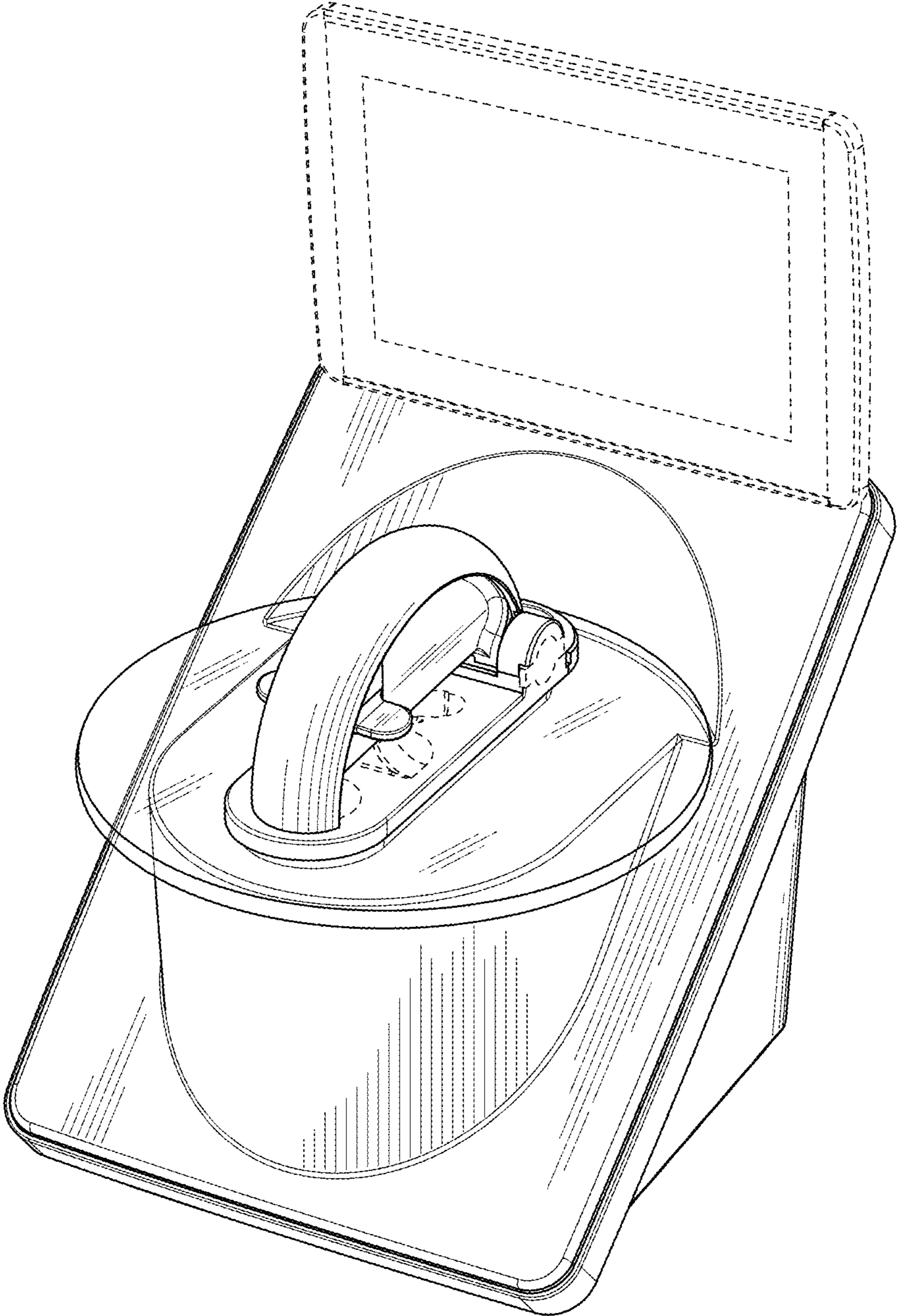


FIG. 45

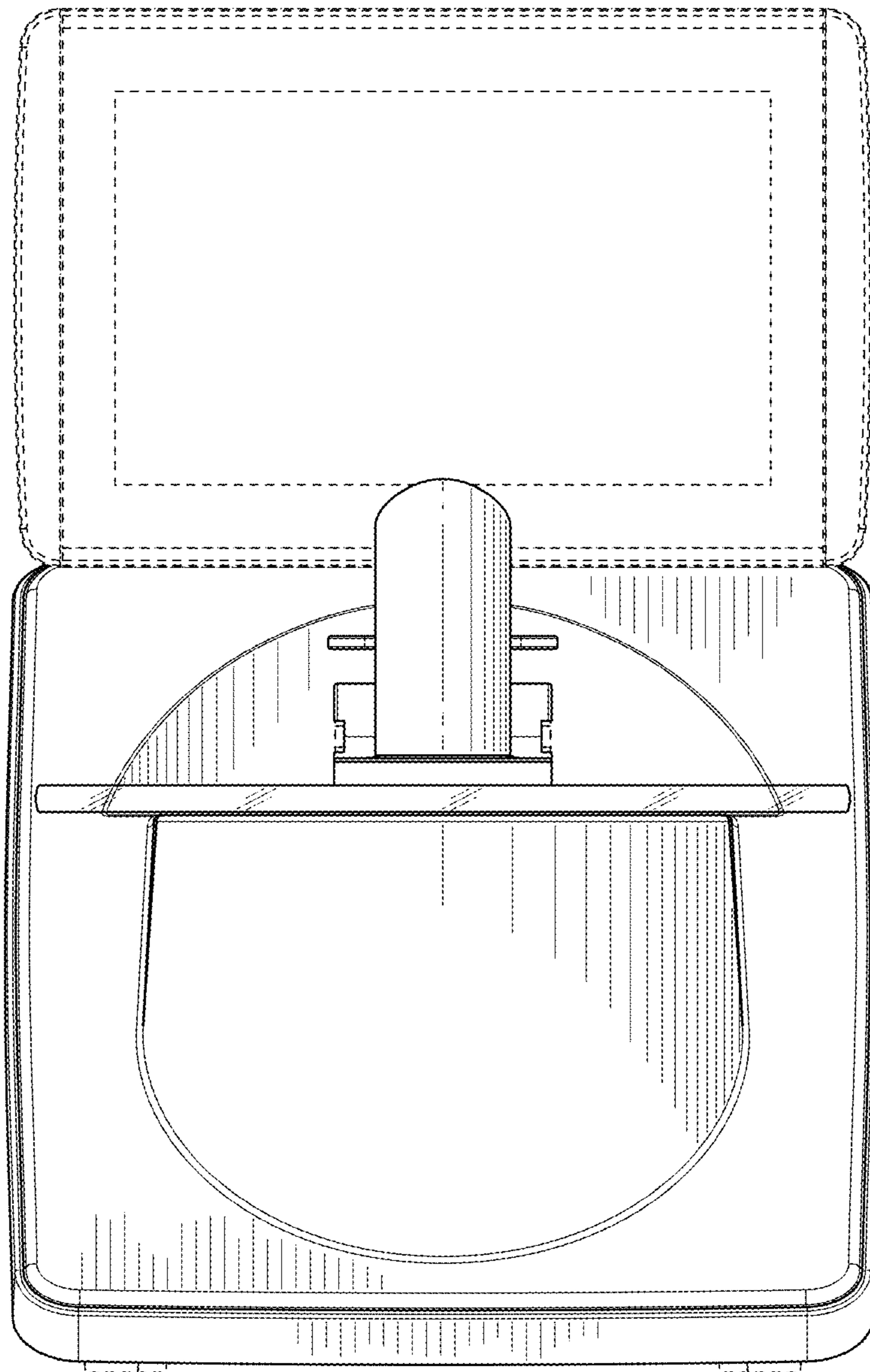


FIG. 46



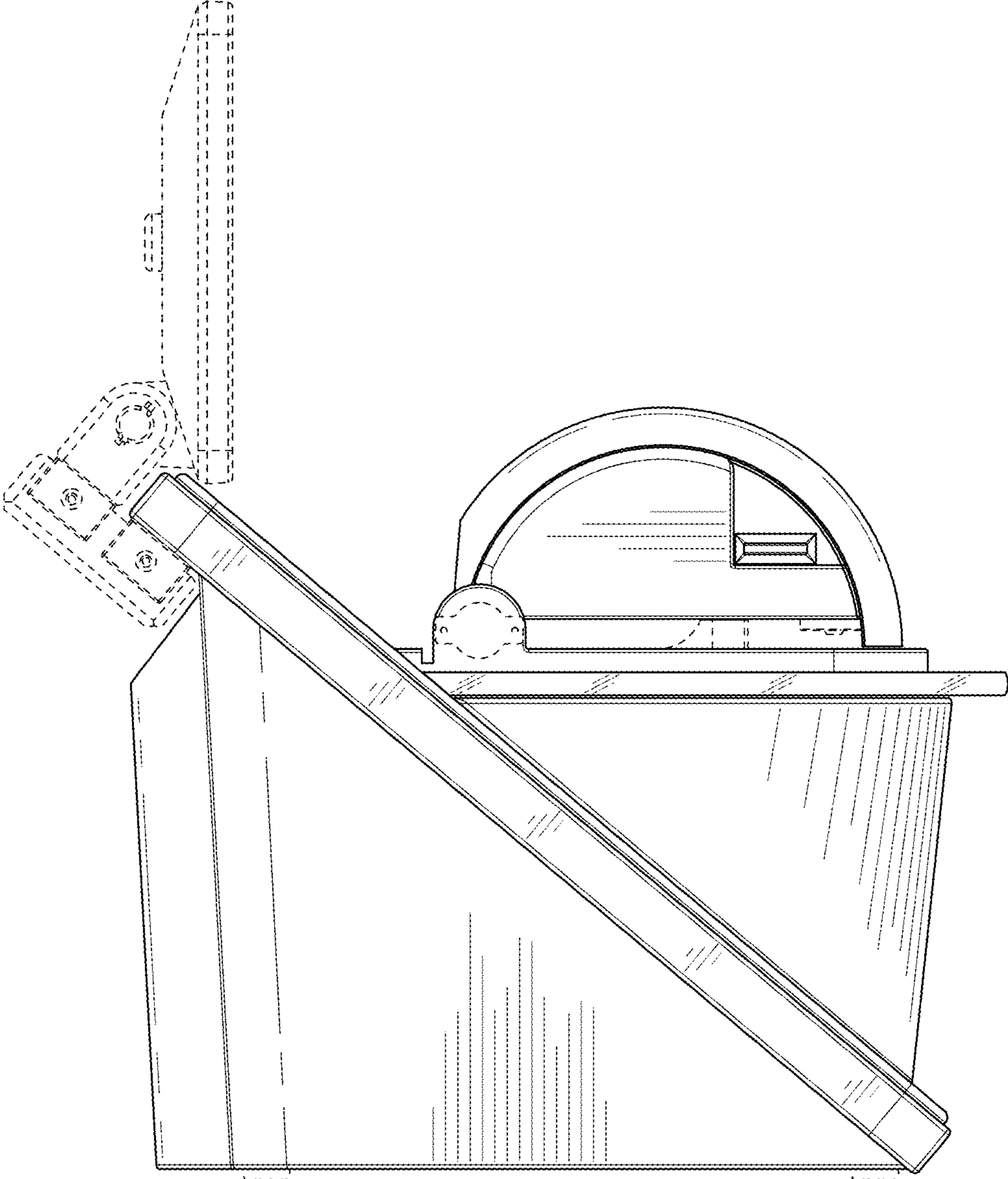


FIG. 47

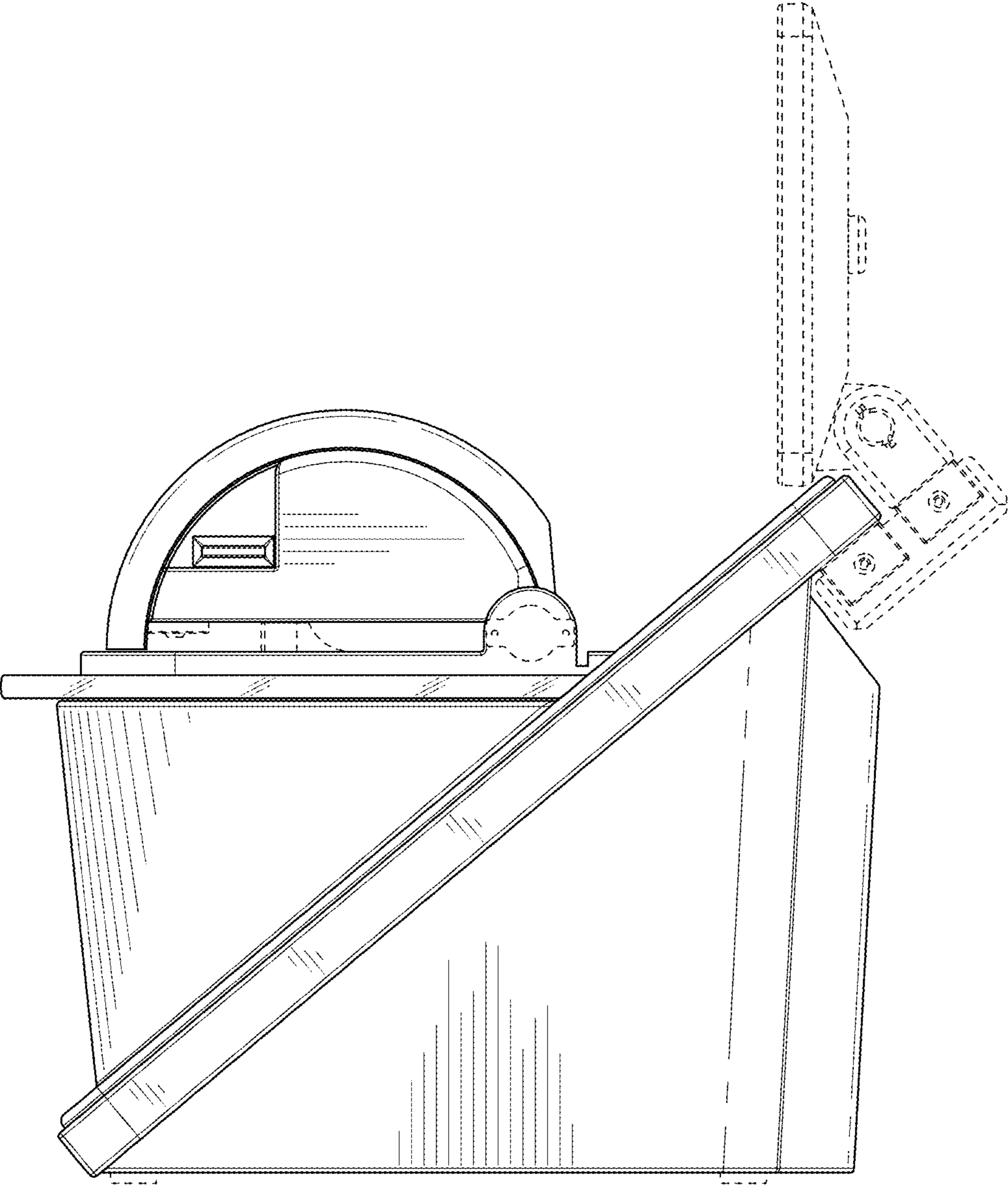


FIG. 48

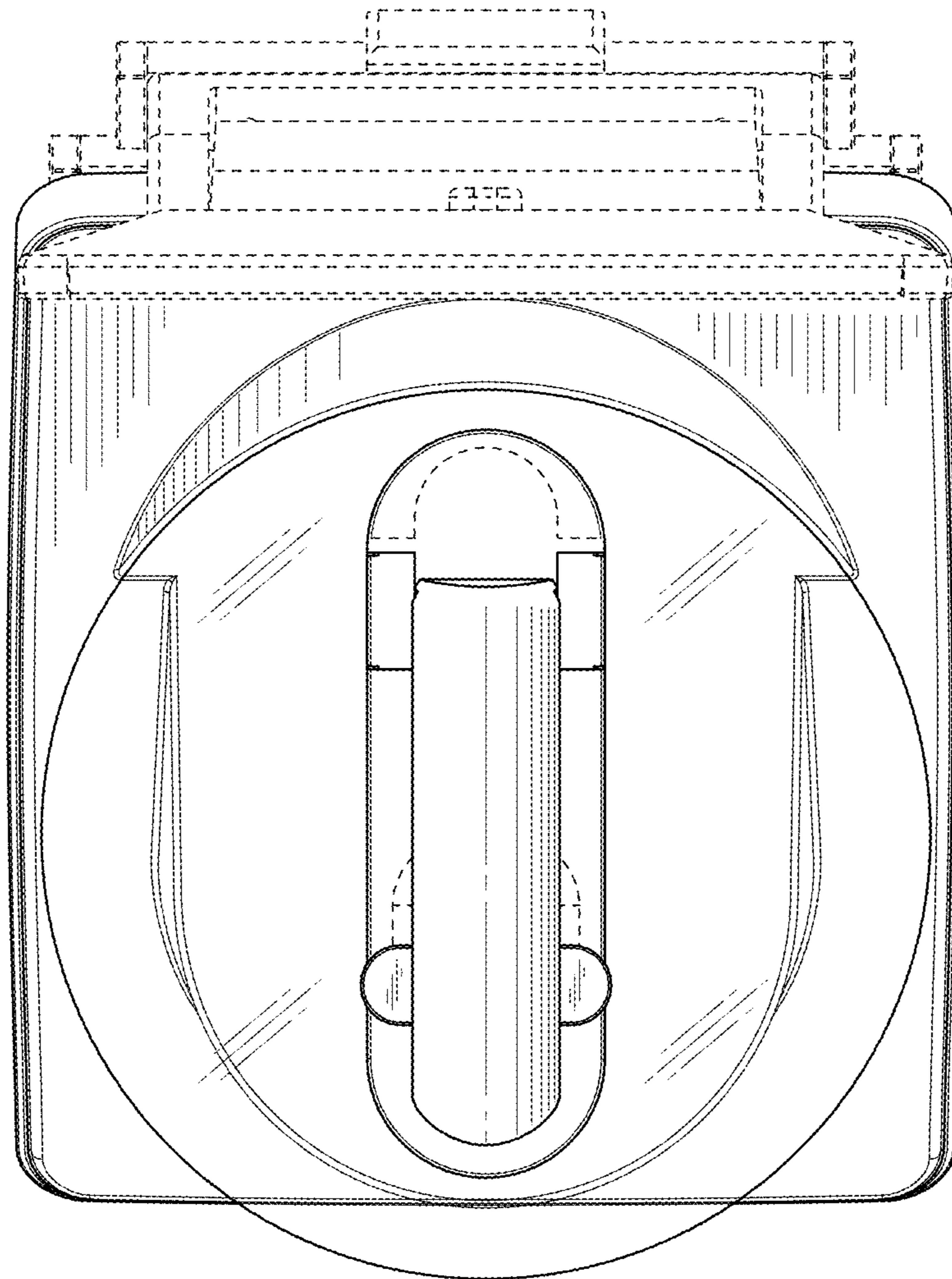


FIG. 49

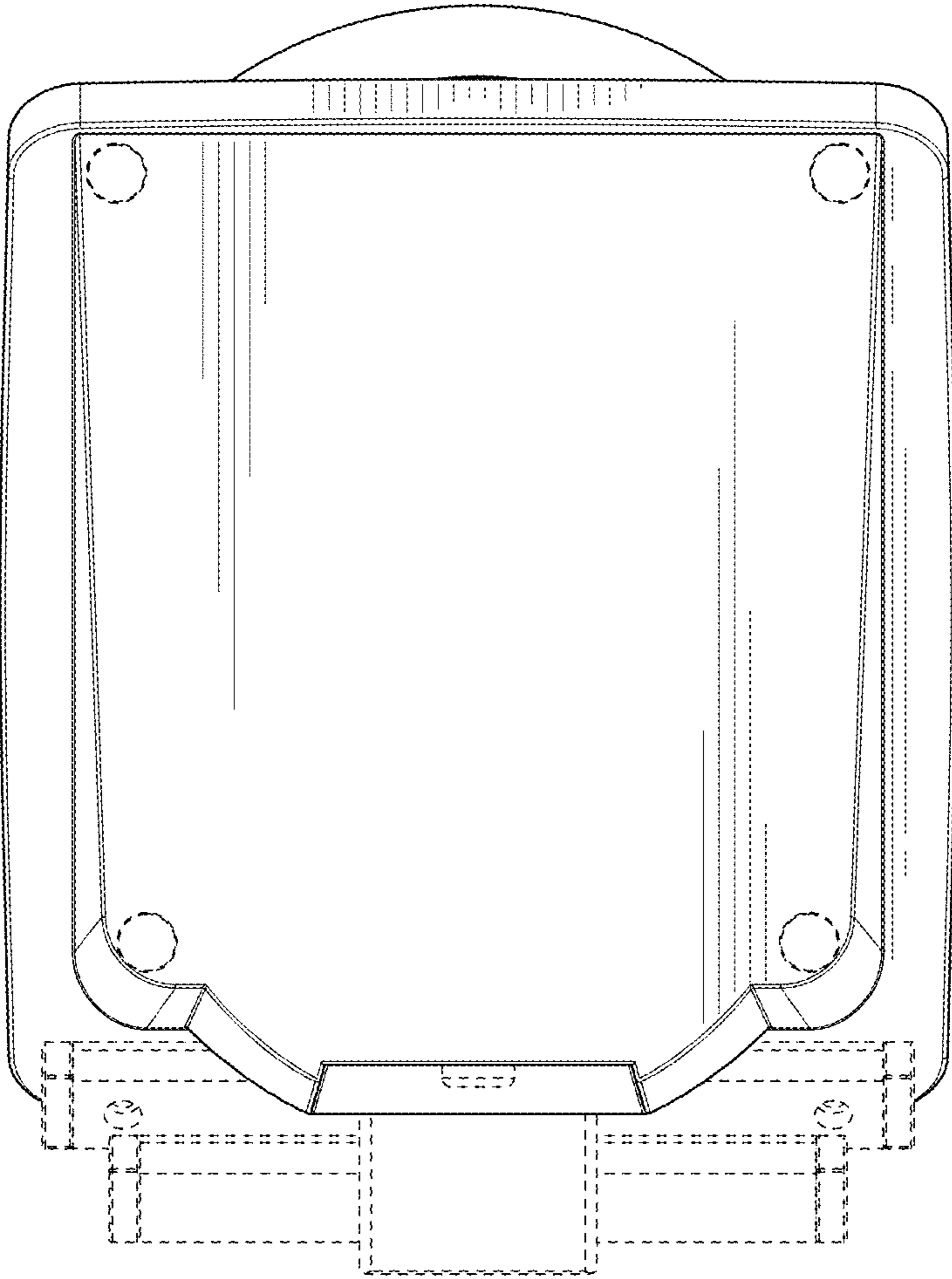


FIG. 50