



US00D739768S

(12) **United States Design Patent**
Hanshew et al.

(10) **Patent No.:** **US D739,768 S**
(45) **Date of Patent:** **** Sep. 29, 2015**

- (54) **WATCH WITH DISPLAY**
- (71) Applicant: **Garmin Switzerland GmbH**,
Schaffhausen (CH)
- (72) Inventors: **Christopher J. Hanshew**, Lenexa, KS
(US); **Warren R. Stevens**, Olathe, KS
(US); **Byron A. Marshall**, Overland
Park, KS (US)
- (73) Assignee: **Garmin Switzerland GmbH (CH)**
- (**) Term: **14 Years**
- (21) Appl. No.: **29/488,656**
- (22) Filed: **Apr. 22, 2014**
- (51) **LOC (10) Cl.** **10-02**
- (52) **U.S. Cl.**
USPC **D10/30; D10/38**
- (58) **Field of Classification Search**
USPC D10/30-39, 1-29, 122-132; D11/3;
D14/138 R, 344
CPC G04B 37/00; G04B 37/0008; G04C 3/00;
G04C 3/001; G04C 3/002; G04G 9/00;
G04G 9/0017; G04G 9/0058; G04G 9/04;
G04G 9/06; G04G 9/107; G04G 17/00;
G04G 17/005; G04G 17/08
See application file for complete search history.

(56) **References Cited**

U.S. PATENT DOCUMENTS

4,051,662 A	10/1977	O'Connor et al.	368/29
4,180,969 A	1/1980	Naito	368/21
D261,112 S	10/1981	Fukumura	D10/38
D261,113 S	10/1981	Fukumura	D10/39
D263,452 S	3/1982	Wada	D10/38

D265,295 S	7/1982	Wada	D10/38
D266,491 S	10/1982	Abe	D10/39
4,398,834 A	8/1983	Wakai	368/223
4,470,708 A *	9/1984	Nee	368/276
4,673,936 A *	6/1987	Kotoh	342/51
D303,769 S	10/1989	Ando	D10/38
D331,020 S	11/1992	Ishii et al.	D10/31
D331,021 S	11/1992	Ishii et al.	D10/31
D355,610 S	2/1995	Sugita	D10/31
D363,234 S	10/1995	Morishima et al.	D10/38

(Continued)

OTHER PUBLICATIONS

U.S. Appl. No. 29/299,704 entitled Watch Device, filed Jan. 2, 2008.
(Continued)

Primary Examiner — Martie K Holtje

(74) *Attorney, Agent, or Firm* — Samuel M. Korte;
Mohammad M. Ali

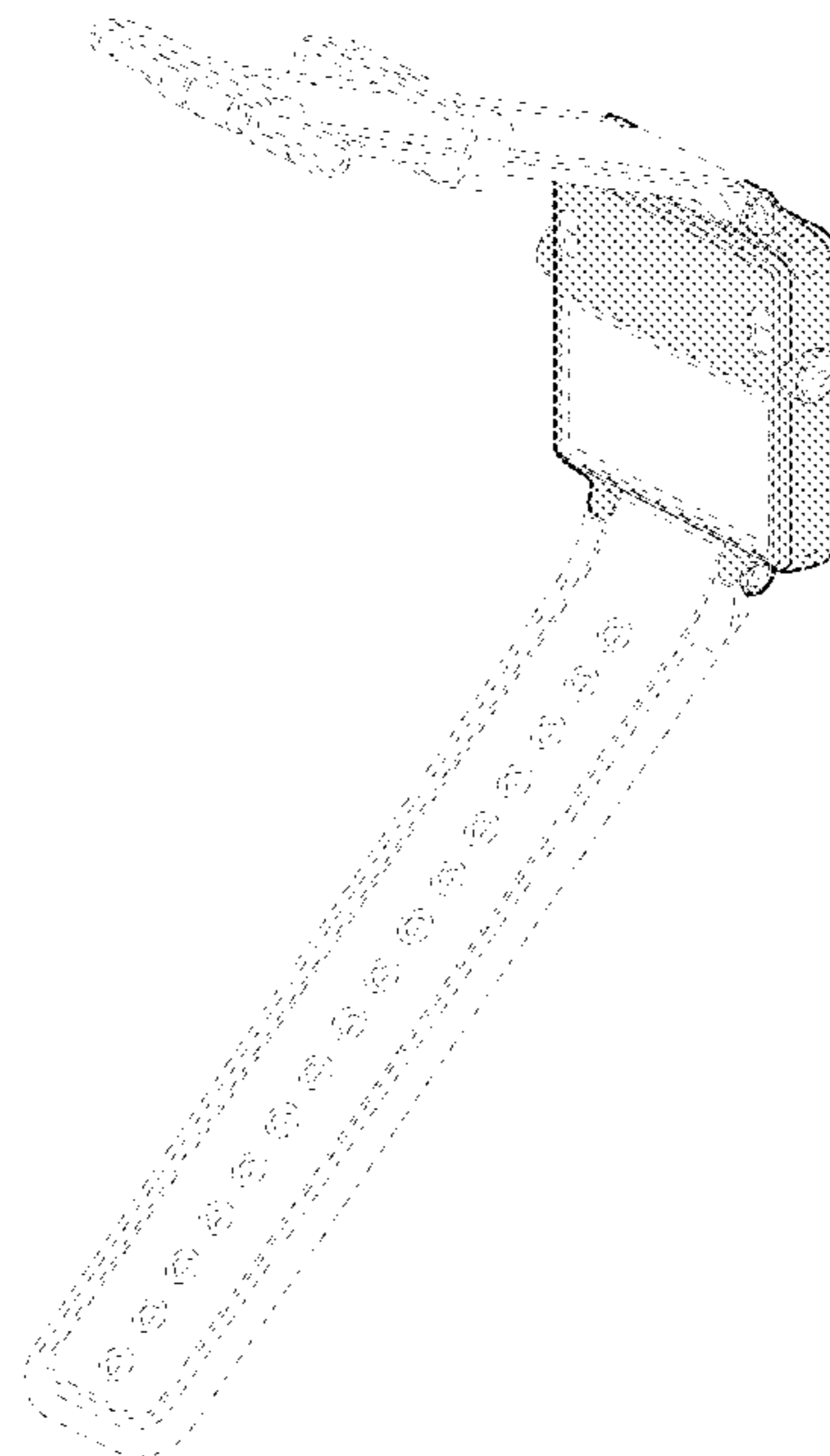
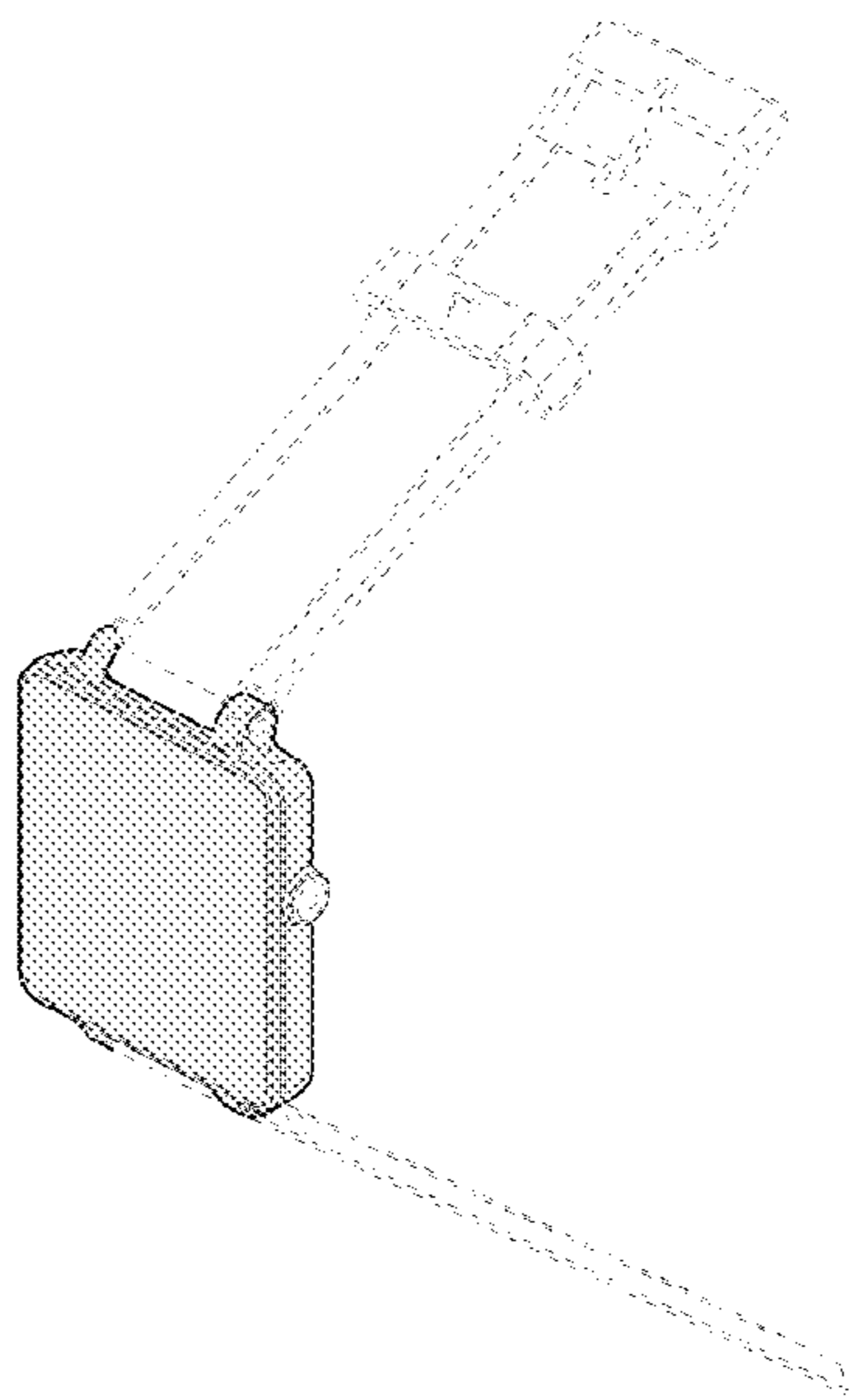
(57) **CLAIM**

The ornamental design for a watch with display, as shown and described.

DESCRIPTION

FIG. 1 is a front perspective view of a watch with display according to the present invention;
FIG. 2 is a rear perspective view of the watch with display;
FIG. 3 is a top view of the watch with display;
FIG. 4 is a front view of the watch with display;
FIG. 5 is a bottom view of the watch with display;
FIG. 6 is a rear view of the watch with display;
FIG. 7 is a left side view of the watch with display; and,
FIG. 8 is a right side view of the watch with display.
The broken lines shown in the drawings represent portions of the watch with display that form no part of the claimed design.

1 Claim, 4 Drawing Sheets



(56)

References Cited

U.S. PATENT DOCUMENTS

D370,639 S 6/1996 Morishima et al. D10/38
 D390,789 S 2/1998 Sugita et al. D10/30
 D419,899 S * 2/2000 Levar et al. D10/104.1
 D452,008 S 12/2001 Komulainen D24/167
 D527,657 S 9/2006 Wilcox et al. D10/38
 D549,602 S 8/2007 Oberrieder et al. D10/65
 D550,105 S 9/2007 Oberrieder et al. D10/65
 D551,094 S 9/2007 Yan D10/32
 D560,520 S 1/2008 Oberrieder et al. D10/65
 7,398,151 B1 7/2008 Burrell et al. 701/200
 D574,735 S * 8/2008 Landman et al. D10/38
 D584,170 S * 1/2009 Morrison D10/32
 D596,510 S 7/2009 Register et al. D10/38
 D610,992 S 3/2010 Fahrendorff et al. D10/32
 D637,918 S * 5/2011 Cobbett et al. D10/31
 D638,736 S * 5/2011 Cobbett et al. D11/3
 D639,955 S * 6/2011 Riobo Aboy et al. D24/165
 D660,726 S 5/2012 Register et al. D10/38
 D661,206 S 6/2012 Register et al. D10/38
 D674,488 S * 1/2013 McKay et al. D24/167
 8,345,412 B2 * 1/2013 Maravilla et al. 361/679.03
 D688,582 S * 8/2013 Wilson D10/128

D688,967 S * 9/2013 Wilson D10/128
 2011/0012796 A1 * 1/2011 Kim et al. 343/702
 2012/0041278 A1 * 2/2012 Sadhu 600/301

OTHER PUBLICATIONS

U.S. Appl. No. 29/417,510 entitled Watch Device, filed Apr. 4, 2012.
 U.S. Appl. No. 29/466,943 entitled Watch Device, filed Sep. 13, 2013.
 Printout from <http://store.sony.com/smartwatch-2-zid27-SW2ACT/cat-27-catid-Smart-Watch>, published prior to Apr. 22, 2014.
 Printout from <http://www.androidpit.com/lg-g-watch-revealed-along-with-android-wear>, published prior to Apr. 22, 2014.
 Printout from <http://www.theverge.com/2011/10/28/2521456/motorola-motoactv-announcement-photos> published prior to Apr. 22, 2014.
 Printout from <http://www.bestbuy.com/site/pebble-smart-watch-for-select-apple-and-android-devices-black/9713809.p?id=1219034546379&skuId=9713809>, published prior to Apr. 22, 2014.
 Printout from <https://www.lunatik.com/products/ipod-nano/tiktok> published prior to Apr. 22, 2014.

* cited by examiner

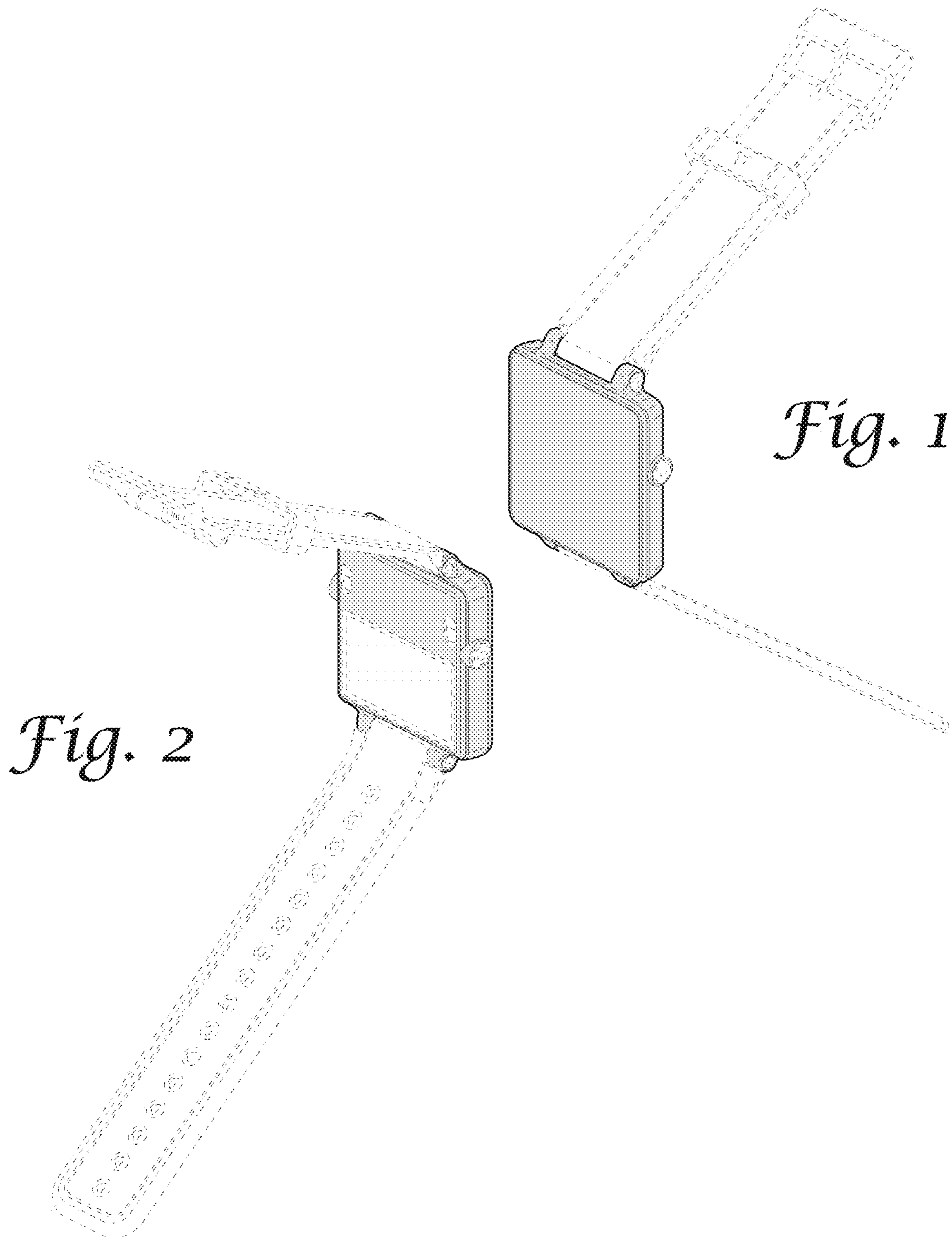


Fig. 1

Fig. 2

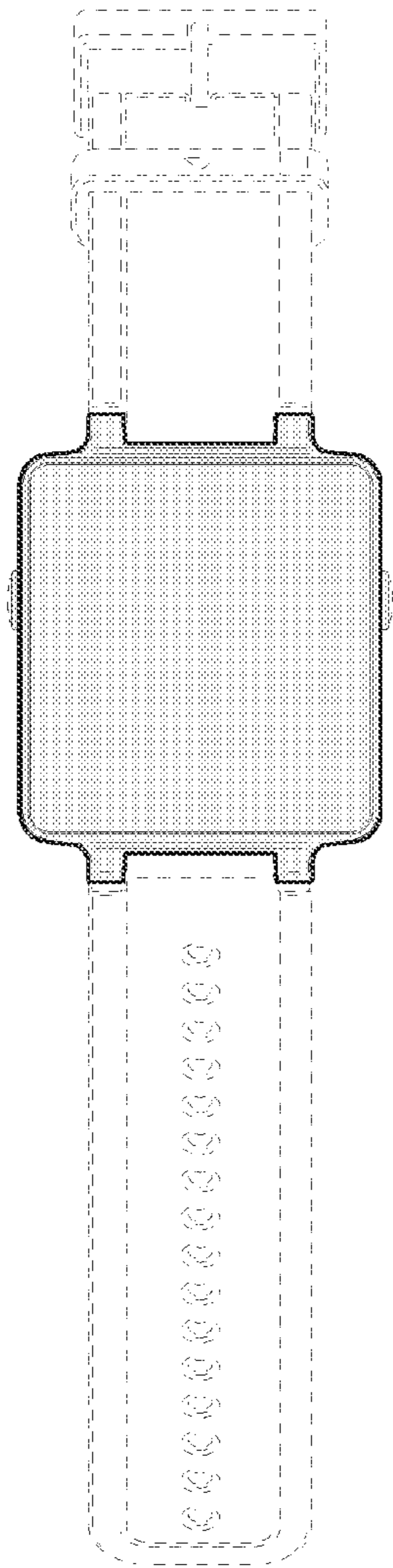


Fig. 4

Fig. 3

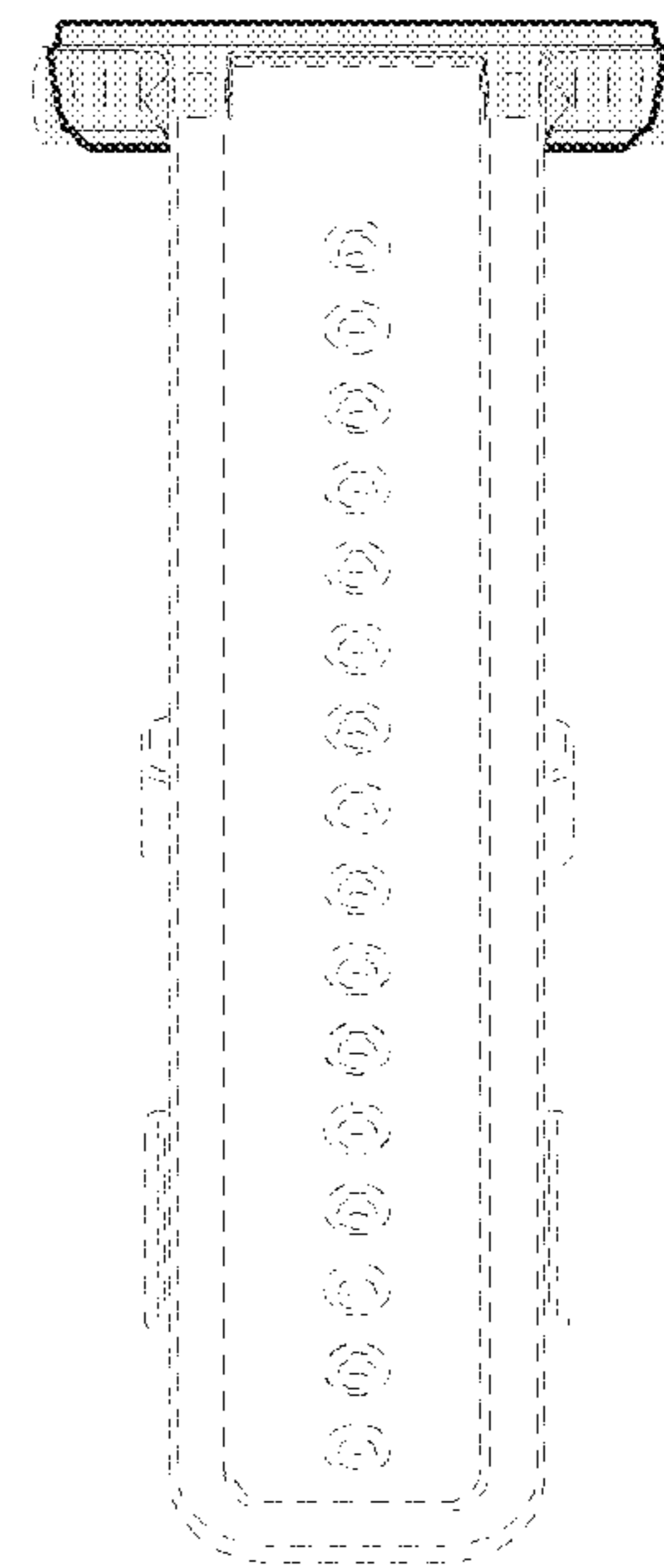
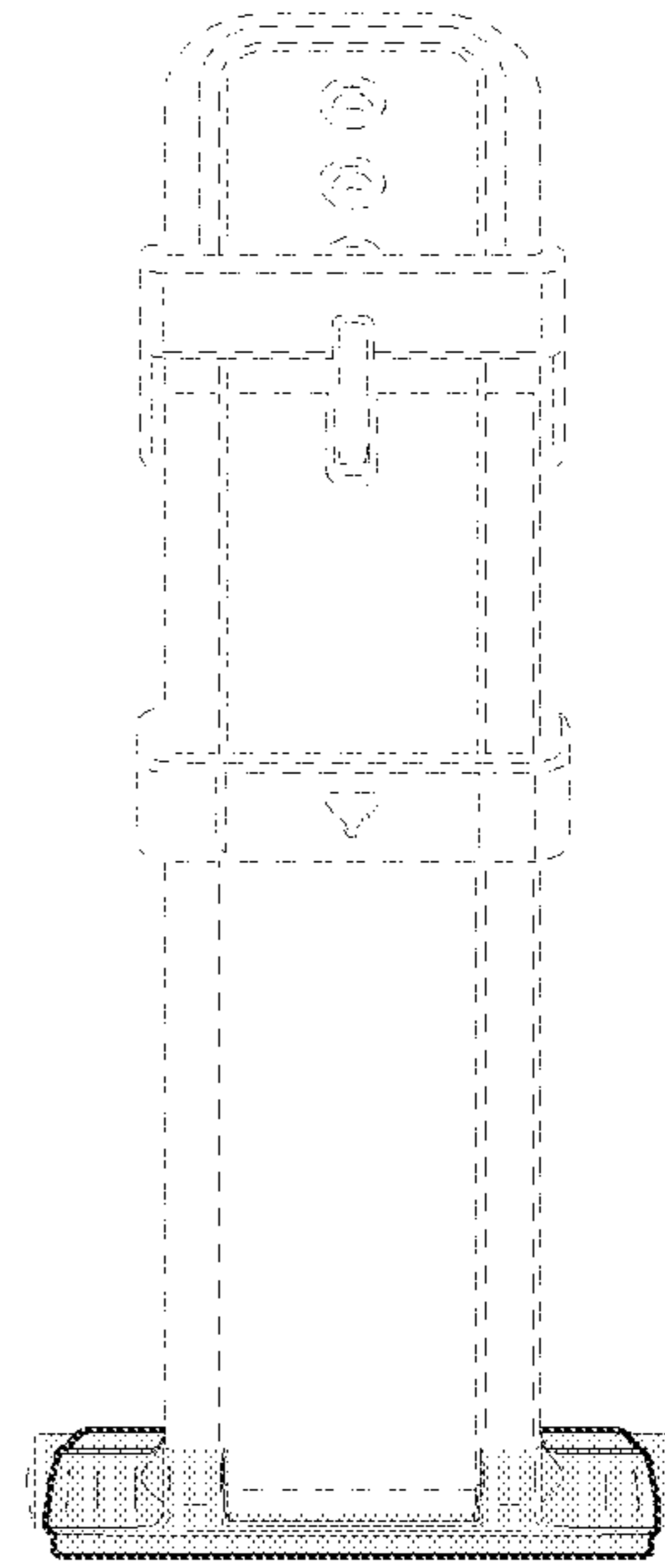


Fig. 5

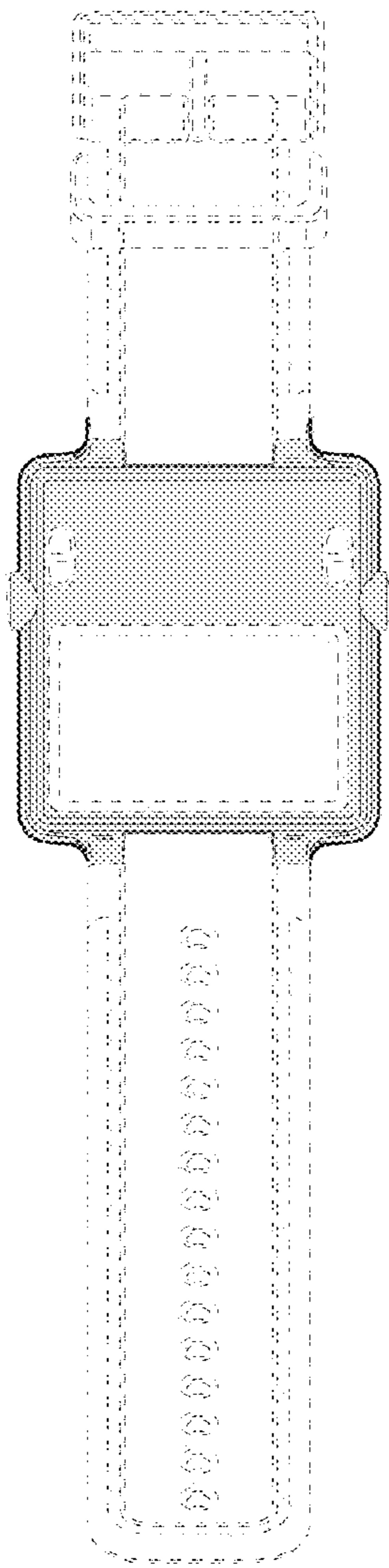


Fig. 6

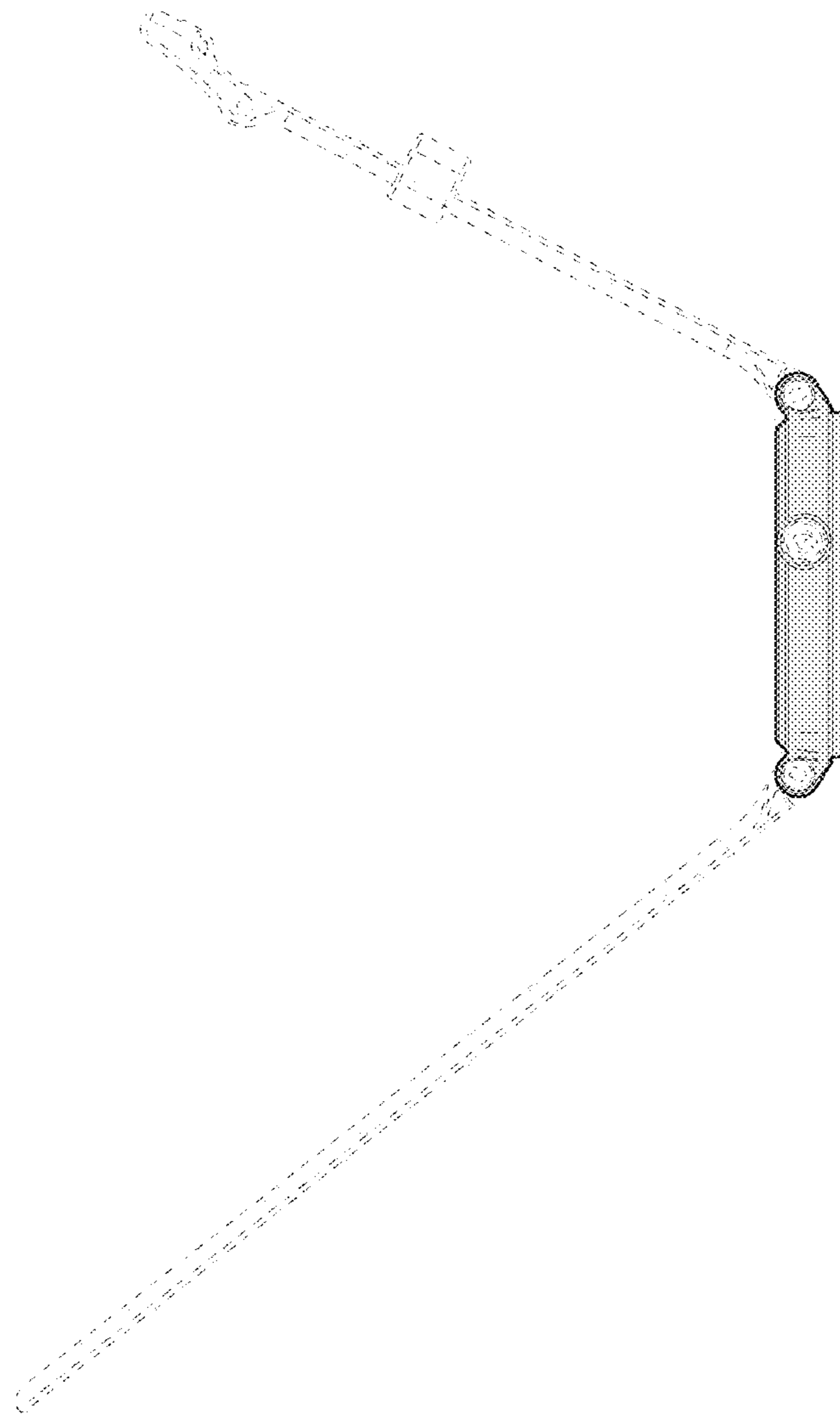


Fig. 7

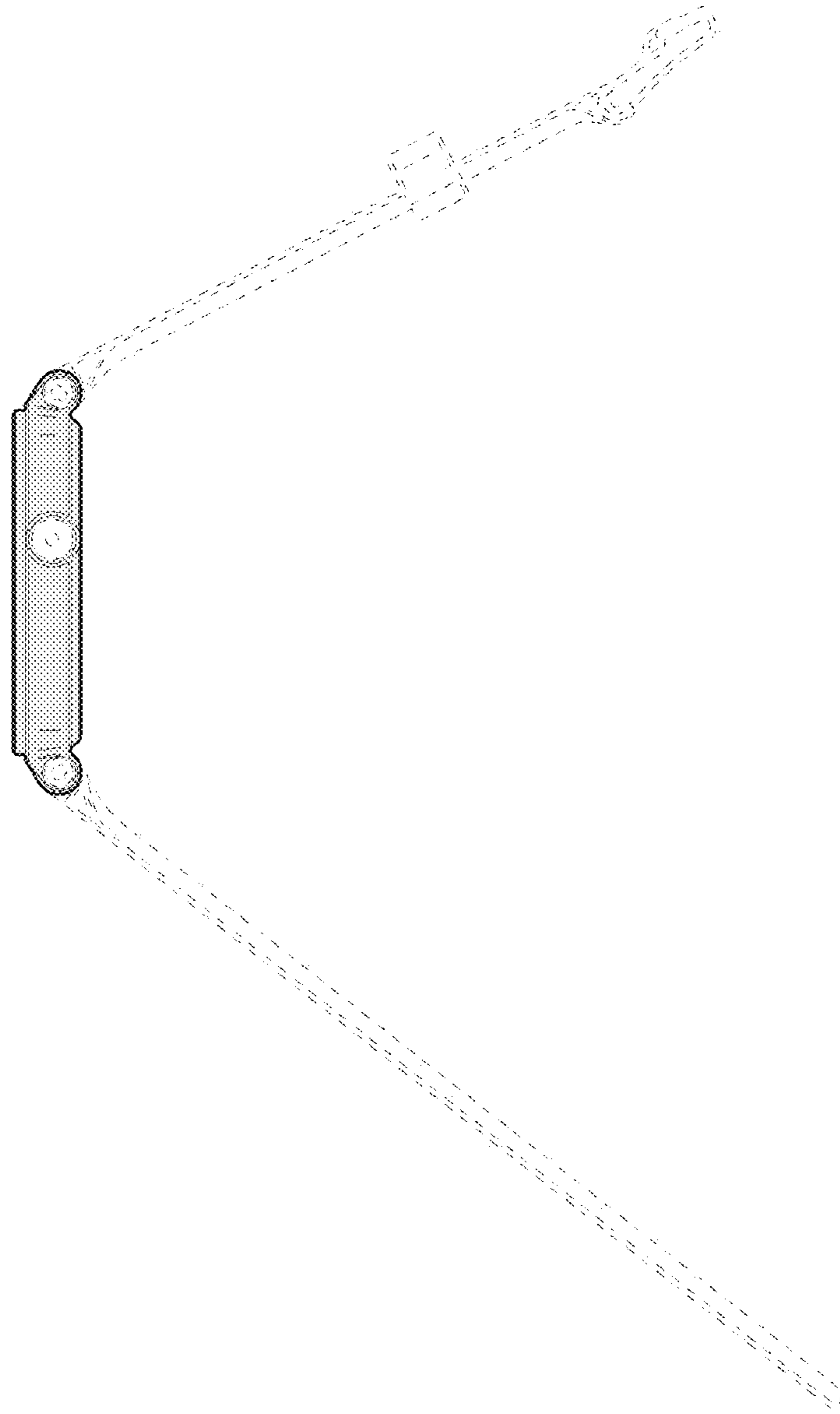


Fig. 8