

US00D739766S

(12) **United States Design Patent**
Glass et al.

(10) **Patent No.:** **US D739,766 S**
(45) **Date of Patent:** **** Sep. 29, 2015**

(54) **GIFT BAG FOR HOLDING A WINE BOTTLE,
A STORED VALUE CARD, AND A MESSAGE
CARD**

(71) Applicant: **Gift Card Impressions, LLC**, Kansas
City, MO (US)

(72) Inventors: **Brett R. Glass**, Kansas City, MO (US);
Nicole E. Glass, Kansas City, MO (US)

(73) Assignee: **Gift Card Impressions, LLC**, Kansas
City, MO (US)

(**) Term: **14 Years**

(21) Appl. No.: **29/501,211**

(22) Filed: **Sep. 2, 2014**

(51) **LOC (10) Cl.** **09-05**

(52) **U.S. Cl.**

USPC **D9/705**

(58) **Field of Classification Search**

USPC D9/702-714, 720-722; 383/4, 6, 10,
383/29, 33, 38, 70-71, 77, 86, 98-99, 104,
383/127, 120; 222/92, 107; 229/923, 87.01,
229/87.19; D7/387; 40/124.06, 631;
D3/300, 303, 318, 232; 206/457

CPC B42D 15/00; B42D 15/022; B42D 15/027;
B42D 15/042; B42D 15/045; A45C 9/00;
B65D 85/60

See application file for complete search history.

(56) **References Cited**

U.S. PATENT DOCUMENTS

271,974 A 2/1883 Quillfeldt
276,961 A 5/1883 Quillfeldt

(Continued)

FOREIGN PATENT DOCUMENTS

CN 2707669 Y 7/2005
EP 1669301 6/2006

Primary Examiner — Caron D Veynar

Assistant Examiner — Abraham Bahta

(74) *Attorney, Agent, or Firm* — Polsinelli PC

(57) **CLAIM**

The ornamental design for a gift bag for holding a wine bottle,
a stored value card, and a message card, as shown and
described.

DESCRIPTION

FIG. 1 is a perspective view of a gift bag for holding a wine
bottle, a stored value card, and a message card according to an
embodiment of the invention shown in a closed disposition;
FIG. 2 is a perspective view of gift bag of FIG. 1 in an open
disposition;

FIG. 3 is a front elevation view of the gift bag of FIG. 1;

FIG. 4 is a rear elevation view of the gift bag of FIG. 1;

FIG. 5 is a right elevation view of the gift bag of FIG. 1;

FIG. 6 is a left elevation view of the gift bag of FIG. 1;

FIG. 7 is a top plan view of the gift bag of FIG. 1;

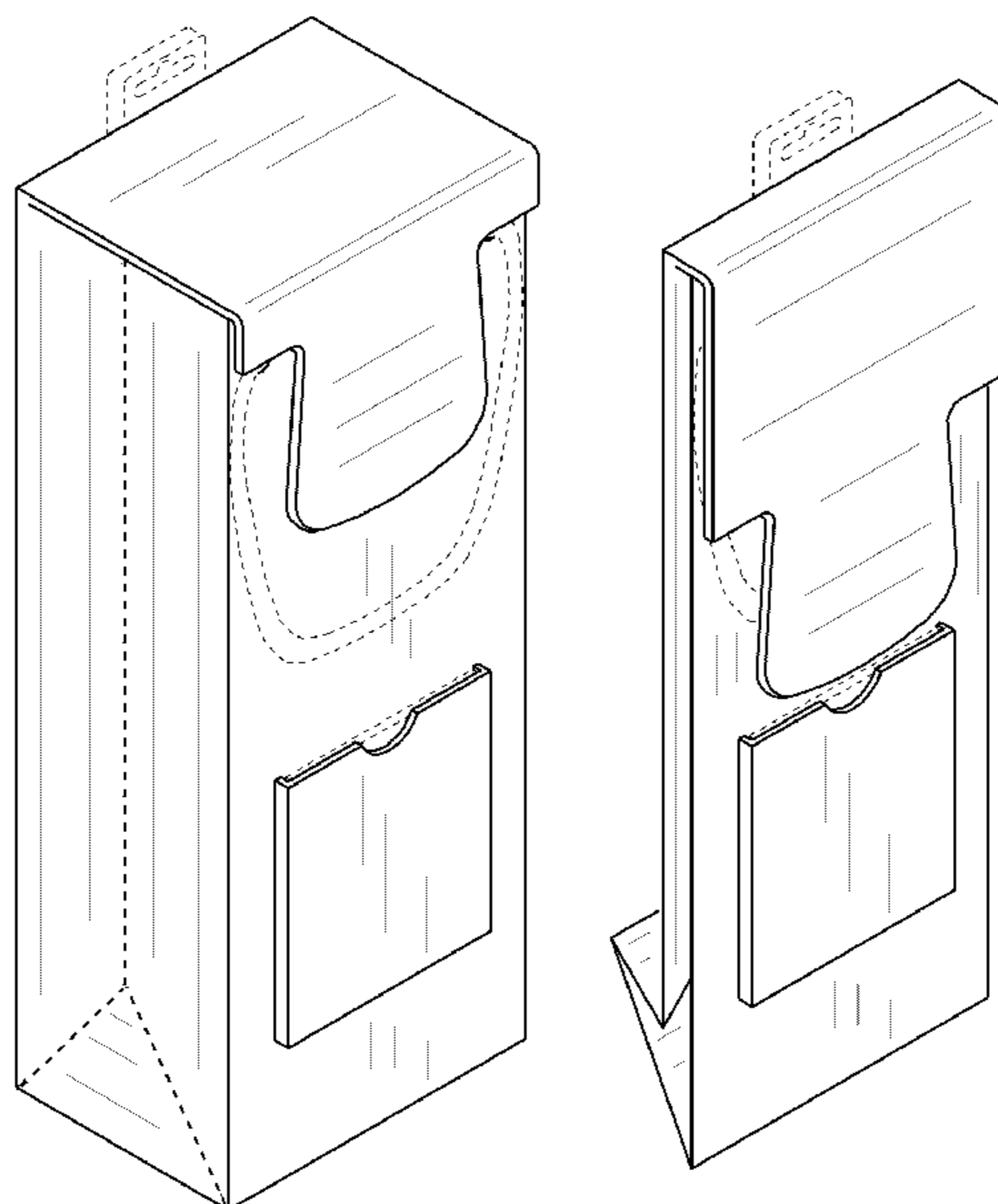
FIG. 8 is a bottom plan view of the gift bag of FIG. 1; and,

FIG. 9 is a perspective view of the gift bag of FIG. 1 in a
collapsed disposition.

The broken dash-dot-dot lines and arrows (- . .) showing in
FIG. 2 are included for the purpose of illustrating direction to
insert the stored value card and/or the message card into a
portion of the gift bag for holding a wine bottle, a stored value
card, and a message card.

The broken dashed lines (- - -) showing in FIGS. 1-9 are
included for the purpose of illustrating portions of the gift bag
for holding a wine bottle, a stored value card, and a message
card that form no part of the claimed design.

1 Claim, 4 Drawing Sheets



(56)

References Cited

U.S. PATENT DOCUMENTS

308,418 A	11/1884	Lockwood			
708,234 A	9/1902	Laird			
1,419,793 A *	6/1922	Wilson	74/551		
1,668,572 A	5/1928	Parmele			
1,984,150 A	12/1934	Ottinger			
2,059,382 A	11/1936	Coert et al.			
2,326,683 A	8/1943	Ross			
2,385,576 A	9/1945	Leopold			
2,445,001 A	7/1948	Pence			
3,312,337 A *	4/1967	Martin	206/497		
D247,392 S	2/1978	Coleman			
4,243,171 A	1/1981	Prin			
D305,728 S *	1/1990	Tufariello	D9/704		
4,955,981 A	9/1990	Provost			
4,988,216 A	1/1991	Lyman			
5,044,773 A	9/1991	Harms et al.			
5,182,895 A	2/1993	Lugo			
D343,288 S	1/1994	Chao			
D350,689 S	9/1994	Chao			
5,374,232 A	12/1994	Cipollone			
5,542,634 A	8/1996	Pomerantz			
5,795,209 A	8/1998	Moore			
D407,209 S	3/1999	Brown et al.			
D409,450 S	5/1999	Hamilton			
5,957,354 A	9/1999	Mentken			
5,988,879 A	11/1999	Bredderman et al.			
6,137,410 A	10/2000	Sepulveda			
6,230,950 B1	5/2001	Heetman			
6,380,856 B1	4/2002	Johnson et al.			
6,737,959 B2	5/2004	Ho			
D493,829 S	8/2004	Foster			
D497,541 S *	10/2004	Clark	D9/703		
6,864,791 B1	3/2005	Kam			
7,219,814 B2	5/2007	Lown et al.			
D547,673 S	7/2007	Glass			
D548,107 S	8/2007	Glass			
D555,008 S *	11/2007	Gattino	D9/702		
D555,352 S	11/2007	Lown			
7,312,717 B2	12/2007	Schmidt-Troschke et al.			
D576,500 S	9/2008	Kim et al.			
7,467,729 B2	12/2008	Lown et al.			
D653,287 S *	1/2012	Taylor et al.	D19/2		
D673,056 S *	12/2012	Gallas	D9/703		
D685,842 S *	7/2013	Glass et al.	D19/3		
D692,774 S *	11/2013	Cheng	D9/704		
2004/0028296 A1	2/2004	Meli			
2005/0098615 A1	5/2005	Lockhart			
2006/0042135 A1	3/2006	Hermanson et al.			
2007/0071366 A1	3/2007	Kao			
2009/0317021 A1	12/2009	Taylor			
2010/0089985 A1	4/2010	Fusaro			
2011/0069910 A1	3/2011	La Riviere			

* cited by examiner

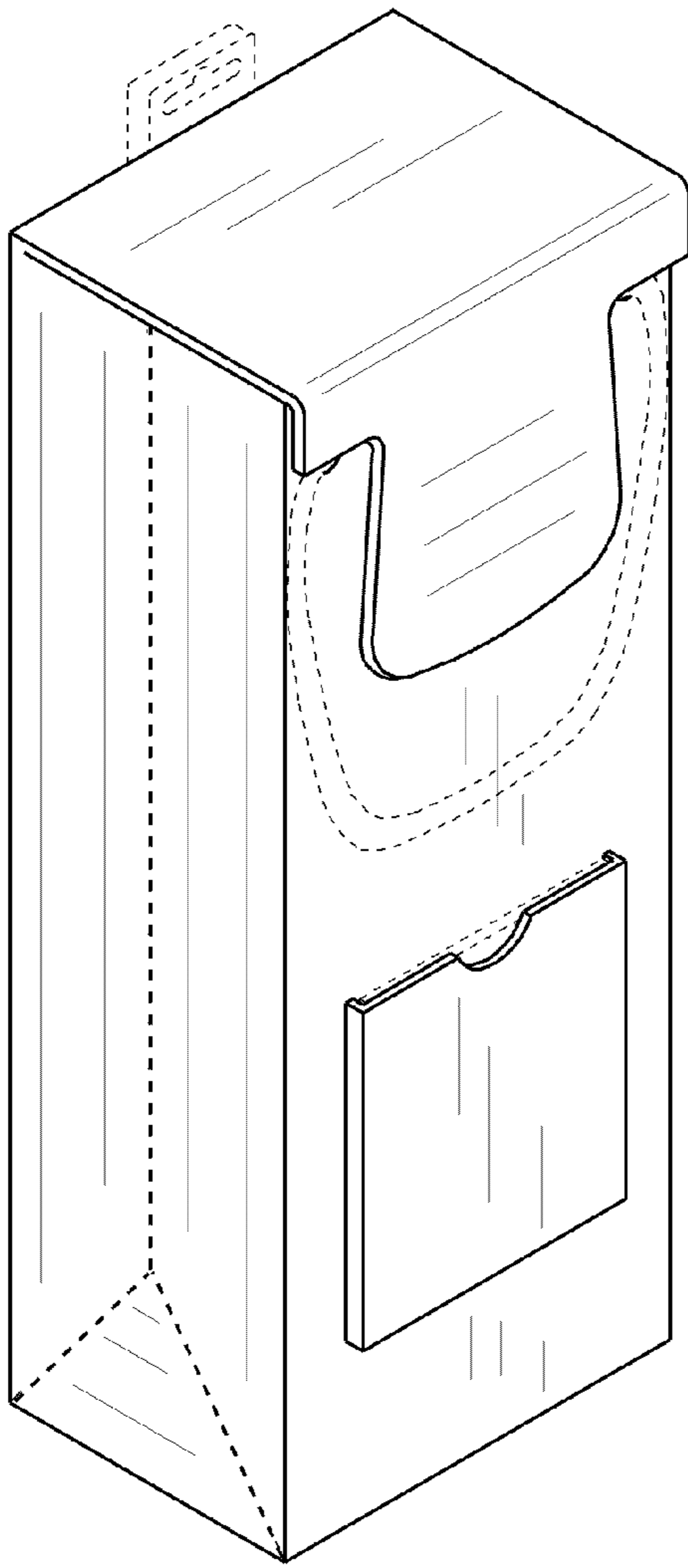


FIG. 1

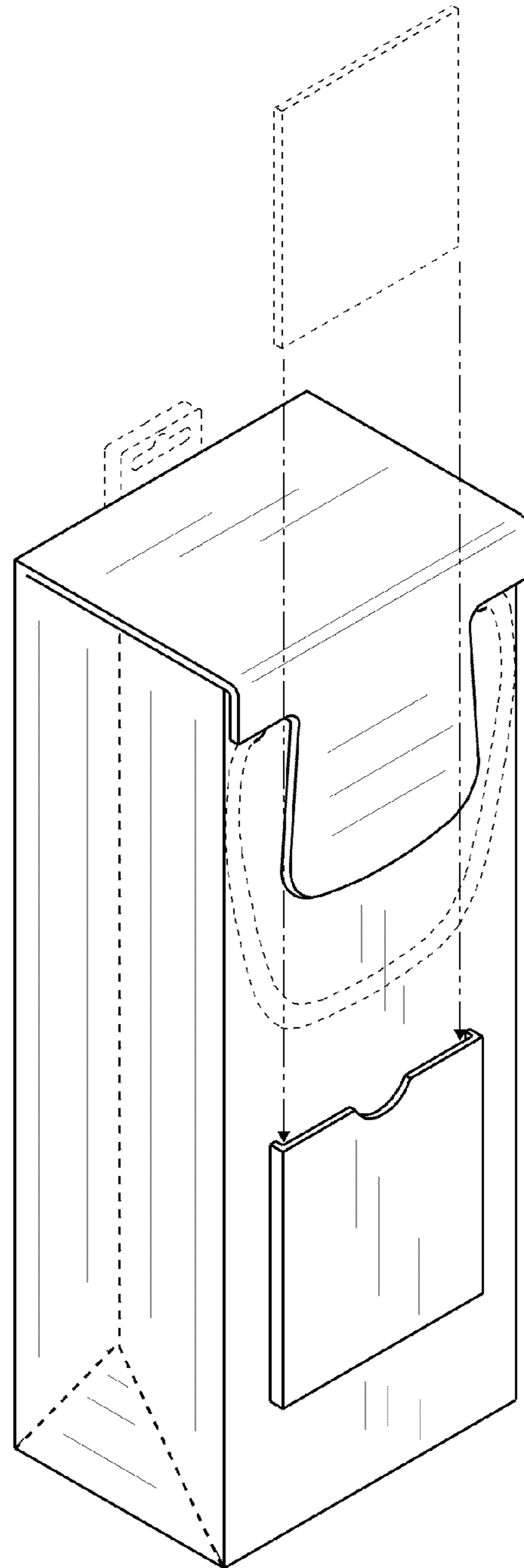


FIG. 2

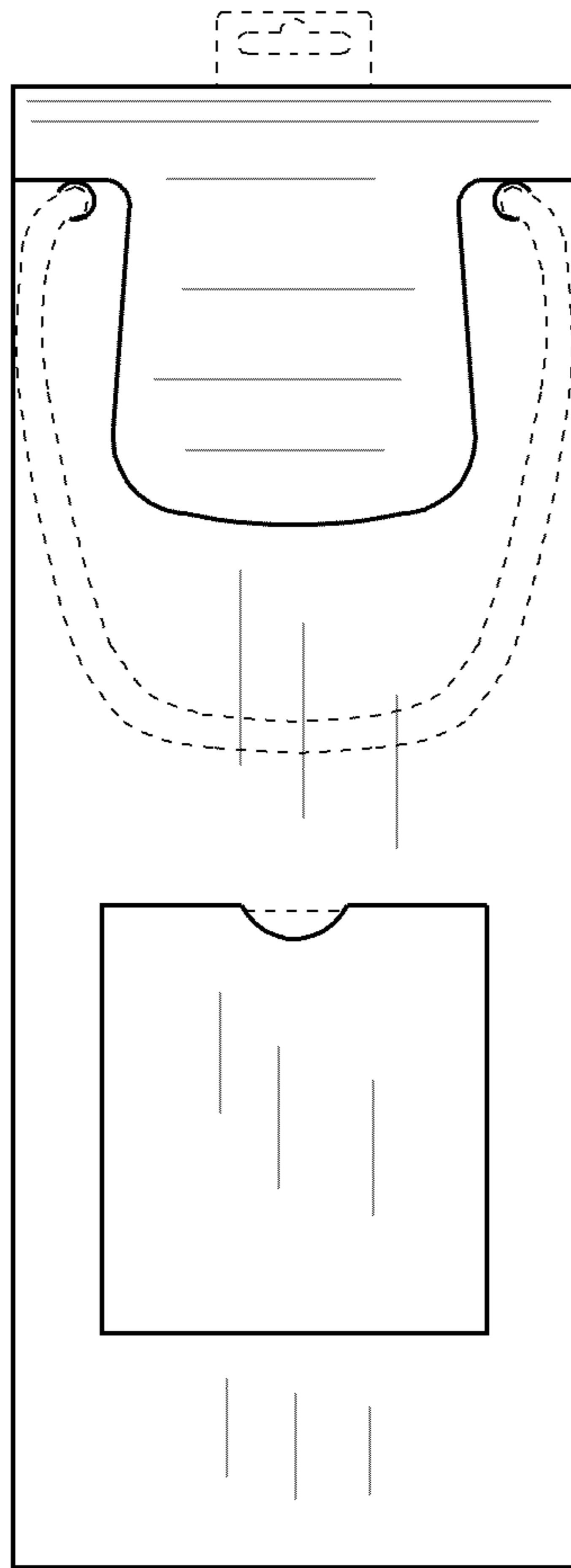


FIG. 3

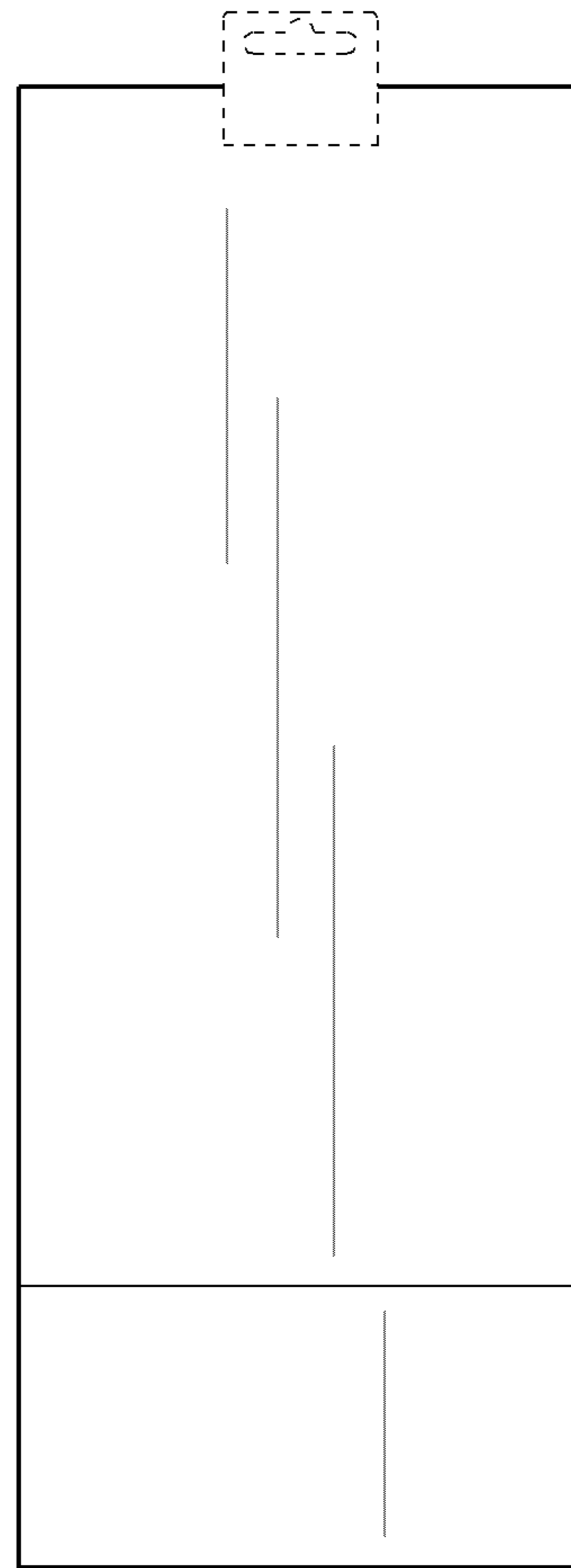


FIG. 4

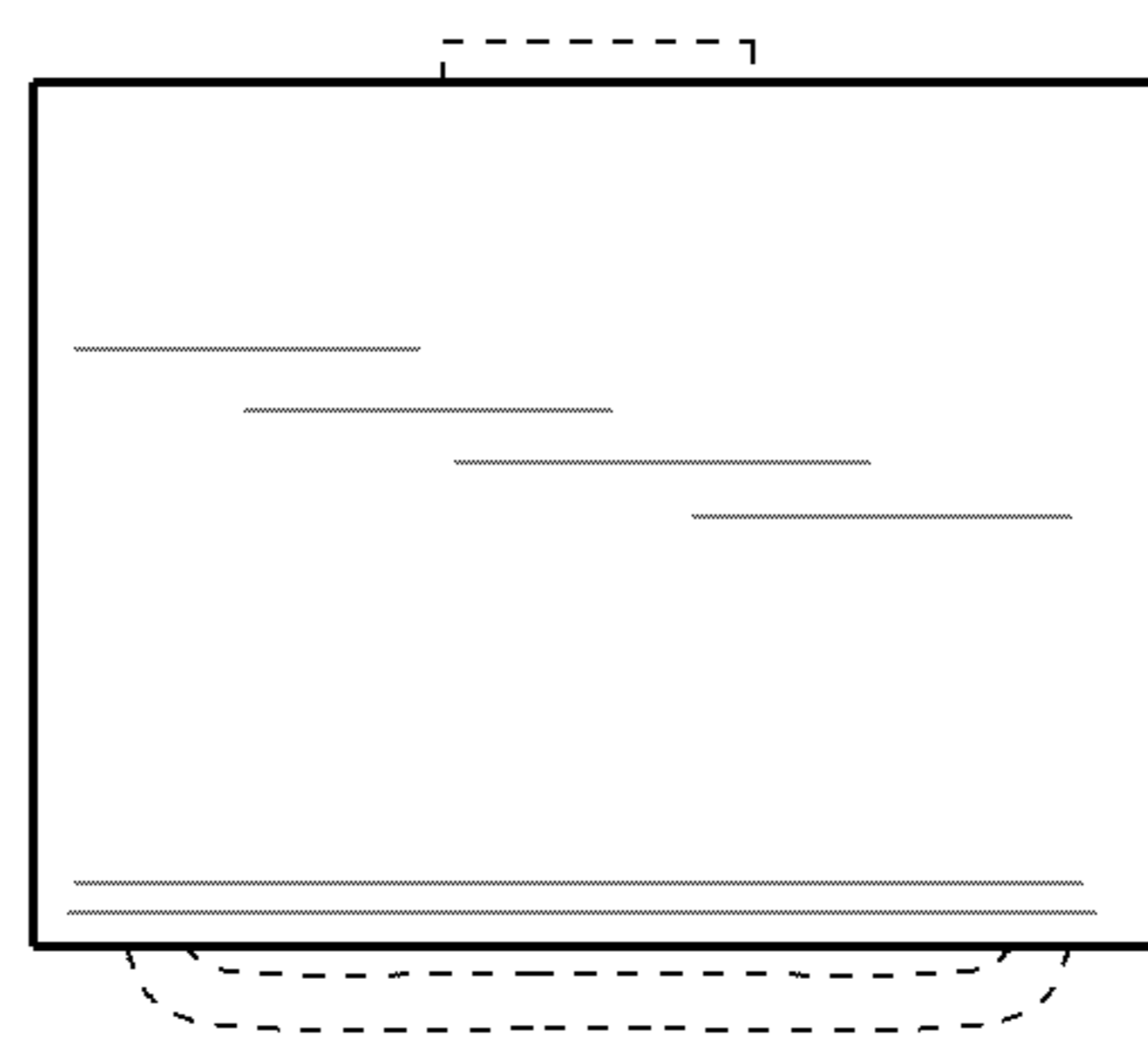


FIG. 5

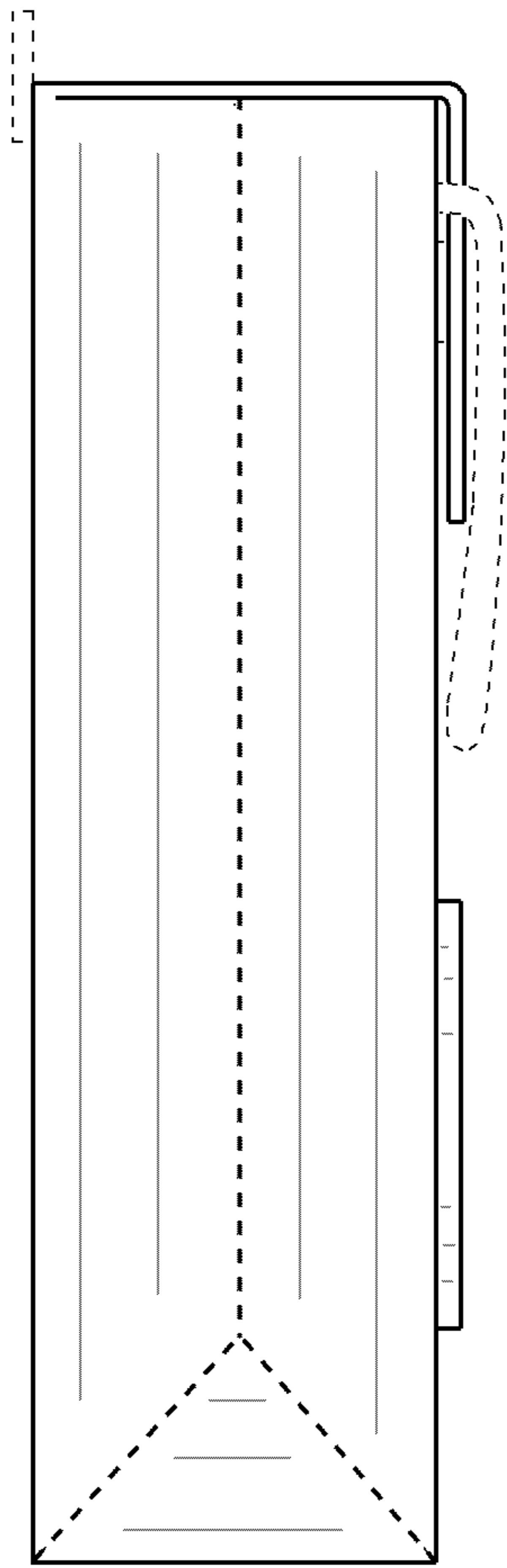


FIG. 6

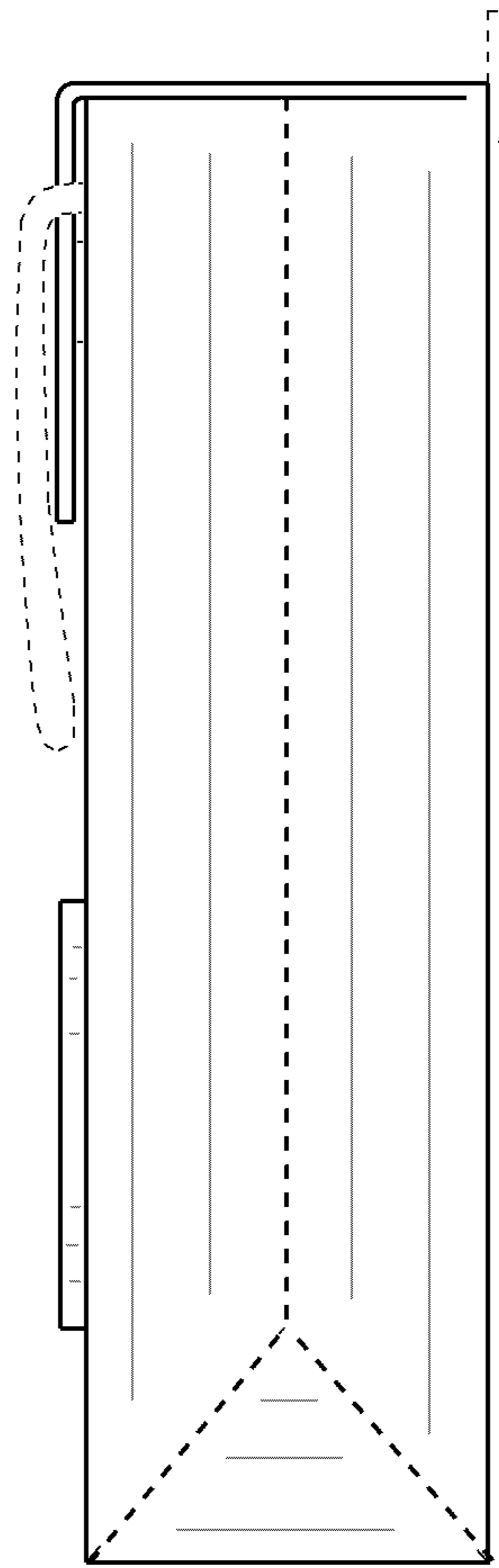


FIG. 7

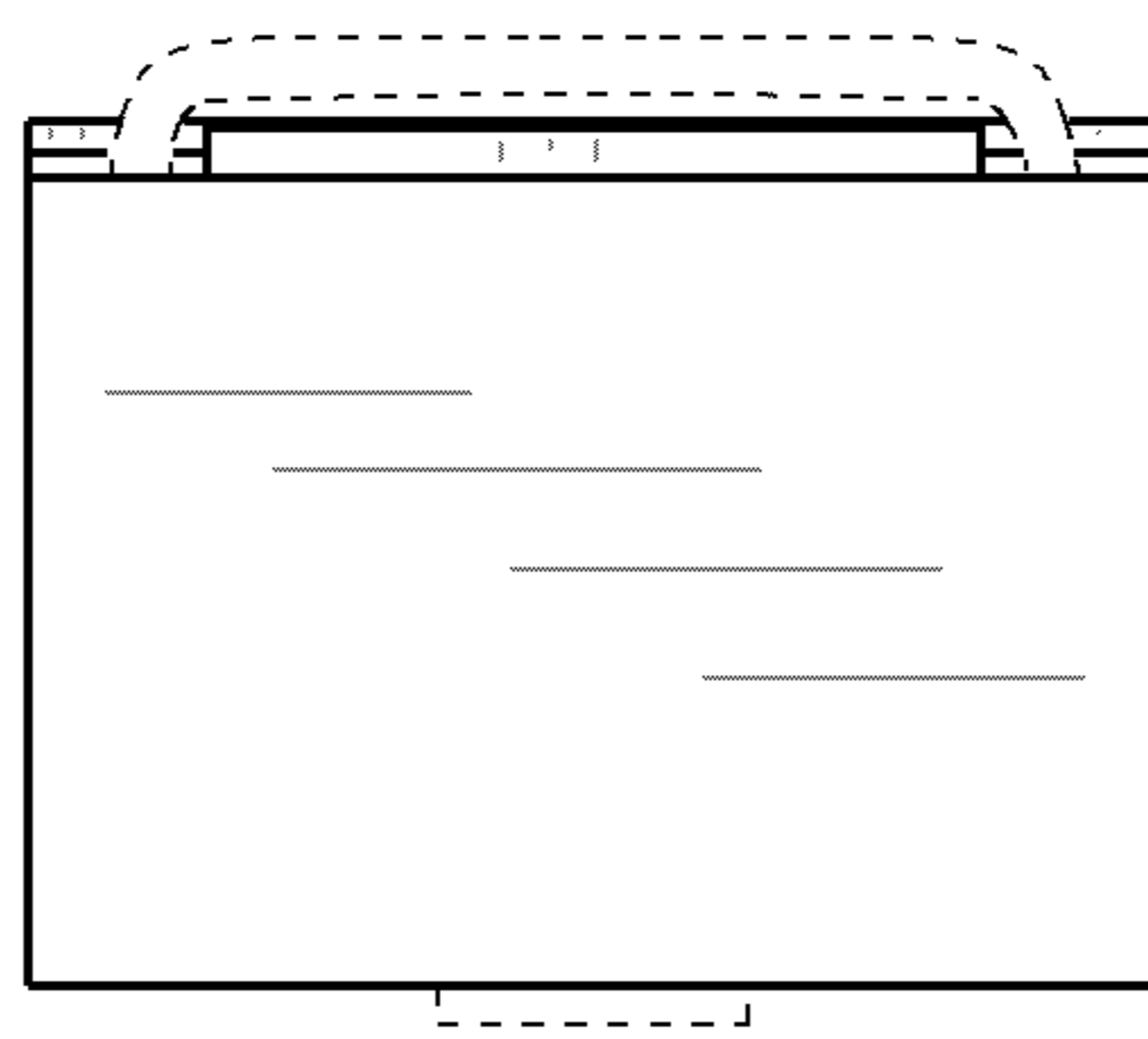


FIG. 8

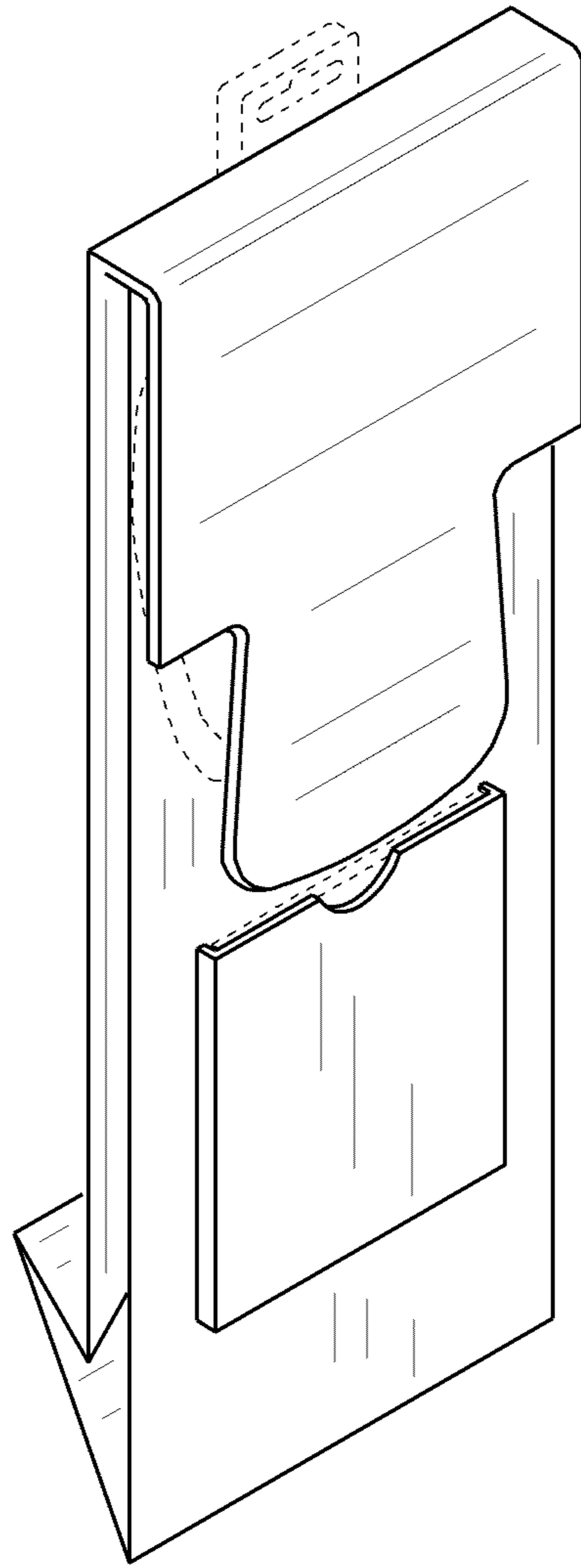


FIG. 9