



US00D739747S

(12) **United States Design Patent**
Edwards et al.

(10) **Patent No.:** **US D739,747 S**

(45) **Date of Patent:** **** Sep. 29, 2015**

(54) **CONTAINER**

(71) Applicant: **WikiFoods, Inc.**, Cambridge, MA (US)

(72) Inventors: **David A. Edwards**, Boston, MA (US);
Laurent Robert Adrien Milon, Paris (FR)

(73) Assignee: **WikiFoods, Inc.**, Cambridge, MA (US)

(**) Term: **14 Years**

(21) Appl. No.: **29/448,748**

(22) Filed: **Mar. 13, 2013**

(51) **LOC (10) Cl.** **09-01**

(52) **U.S. Cl.**
USPC **D9/522**; D9/523; D9/526; D9/543;
D9/560; D9/575

(58) **Field of Classification Search**
USPC D9/682, 686–687, 690–691, 693–694,
D9/516, 522–523, 526, 529–530, 537, 540,
D9/543–544, 549, 559–560, 575, 414, 430,
D9/432; 215/381–385; D7/629
See application file for complete search history.

(56) **References Cited**

U.S. PATENT DOCUMENTS

3,072,285	A	*	1/1963	Aileo	220/684	X
D319,015	S	*	8/1991	Schmidt	D9/574	
D352,891	S	*	11/1994	Lalique	D9/544	X
D371,736	S	*	7/1996	Chahed	D9/694	
D376,208	S	*	12/1996	Rasmussen et al.	D9/523	X
D386,673	S	*	11/1997	Thompson	D9/668	
D472,460	S	*	4/2003	Garcia et al.	D9/687	
D476,895	S	*	7/2003	Fellows et al.	D9/516	
D477,777	S	*	7/2003	Nicolas	D9/668	
D479,804	S	*	9/2003	Wolpert et al.	D9/522	X

6,659,301	B2	*	12/2003	Fellows et al.	215/382	X
D490,082	S	*	5/2004	Lenaerts	D9/432	X
D503,621	S	*	4/2005	Heater	D9/575	X
D505,330	S	*	5/2005	Wolpert	D9/575	X
D518,730	S	*	4/2006	Caserta et al.	D9/522	
D536,979	S	*	2/2007	Caserta et al.	D9/523	X
D537,351	S	*	2/2007	Caserta et al.	D9/523	X
D577,292	S	*	9/2008	Moretti	D9/560	
D618,550	S	*	6/2010	De Haan	D9/543	X
D619,464	S	*	7/2010	Langley et al.	D9/522	
D626,845	S	*	11/2010	De Haan	D9/543	X
D642,923	S	*	8/2011	Newton	D9/522	
D643,296	S	*	8/2011	Newton	D9/522	
D650,683	S	*	12/2011	Buschmann et al.	D9/523	X
2005/0194344	A1	*	9/2005	Heater	215/379	

* cited by examiner

Primary Examiner — Carol P Rademaker

(74) *Attorney, Agent, or Firm* — McDermott Will & Emery LLP

(57) **CLAIM**

The ornamental design for a container, as shown and described.

DESCRIPTION

FIG. 1 is a top, front left side perspective view of the claimed design;

FIG. 2 is a top plan view thereof;

FIG. 3 is a left side elevational view, the right side elevational view being a mirror image;

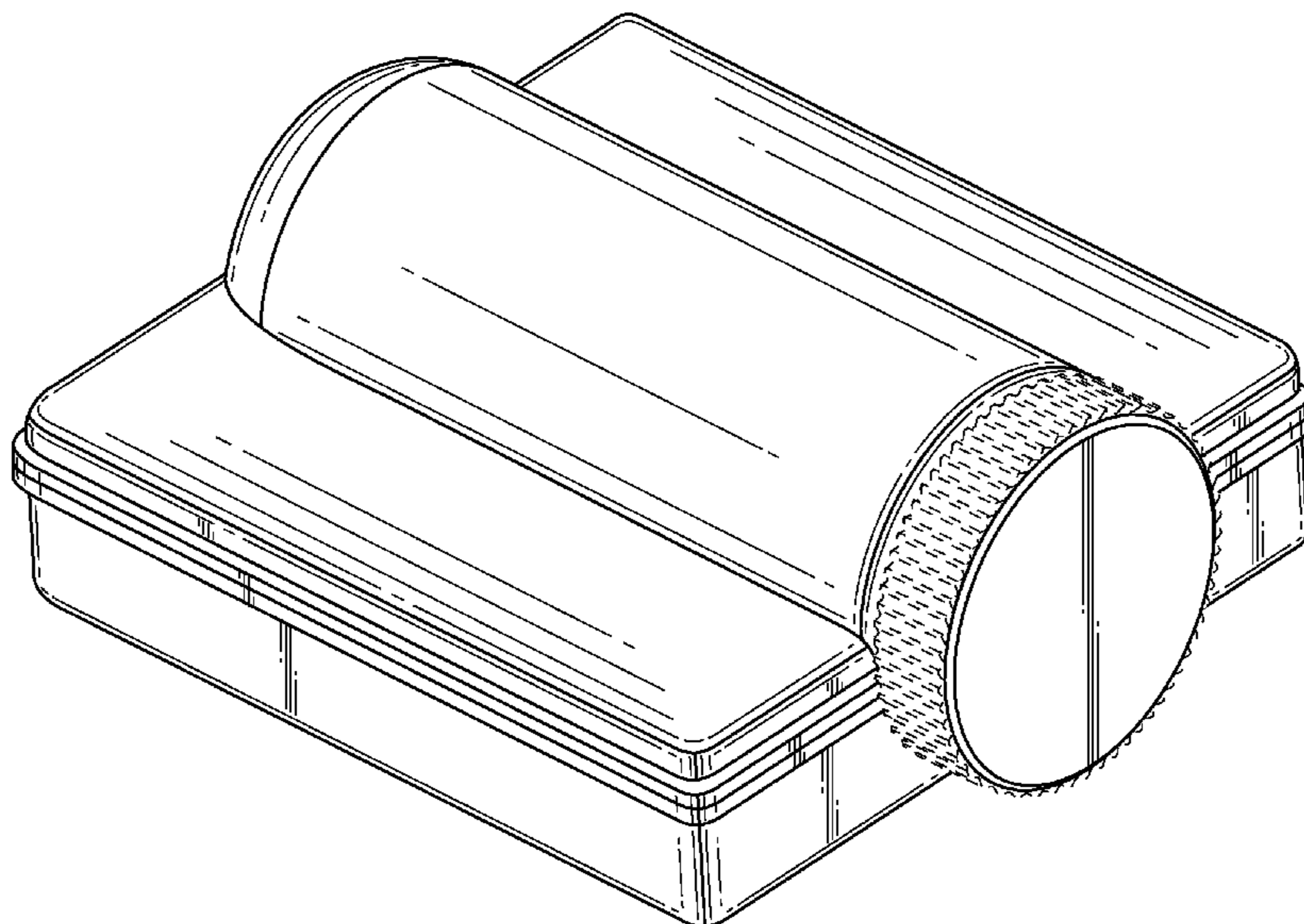
FIG. 4 is a front elevational view thereof;

FIG. 5 is a rear elevational view thereof; and,

FIG. 6 is a bottom plan view thereof.

The broken lines shown in the drawing views are included for the purpose of illustrating environmental structure and form no part of the claimed design.

1 Claim, 6 Drawing Sheets



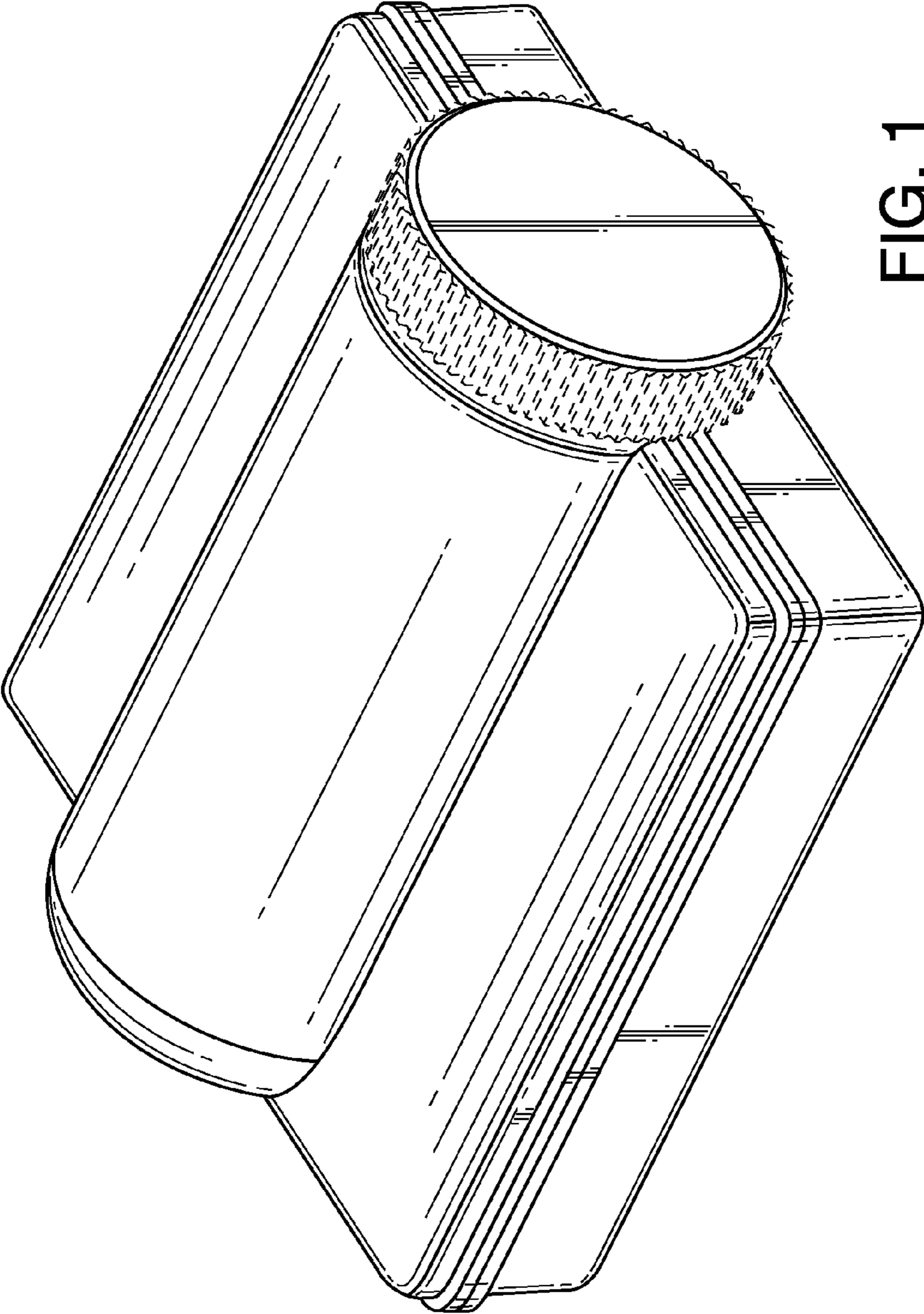


FIG. 1

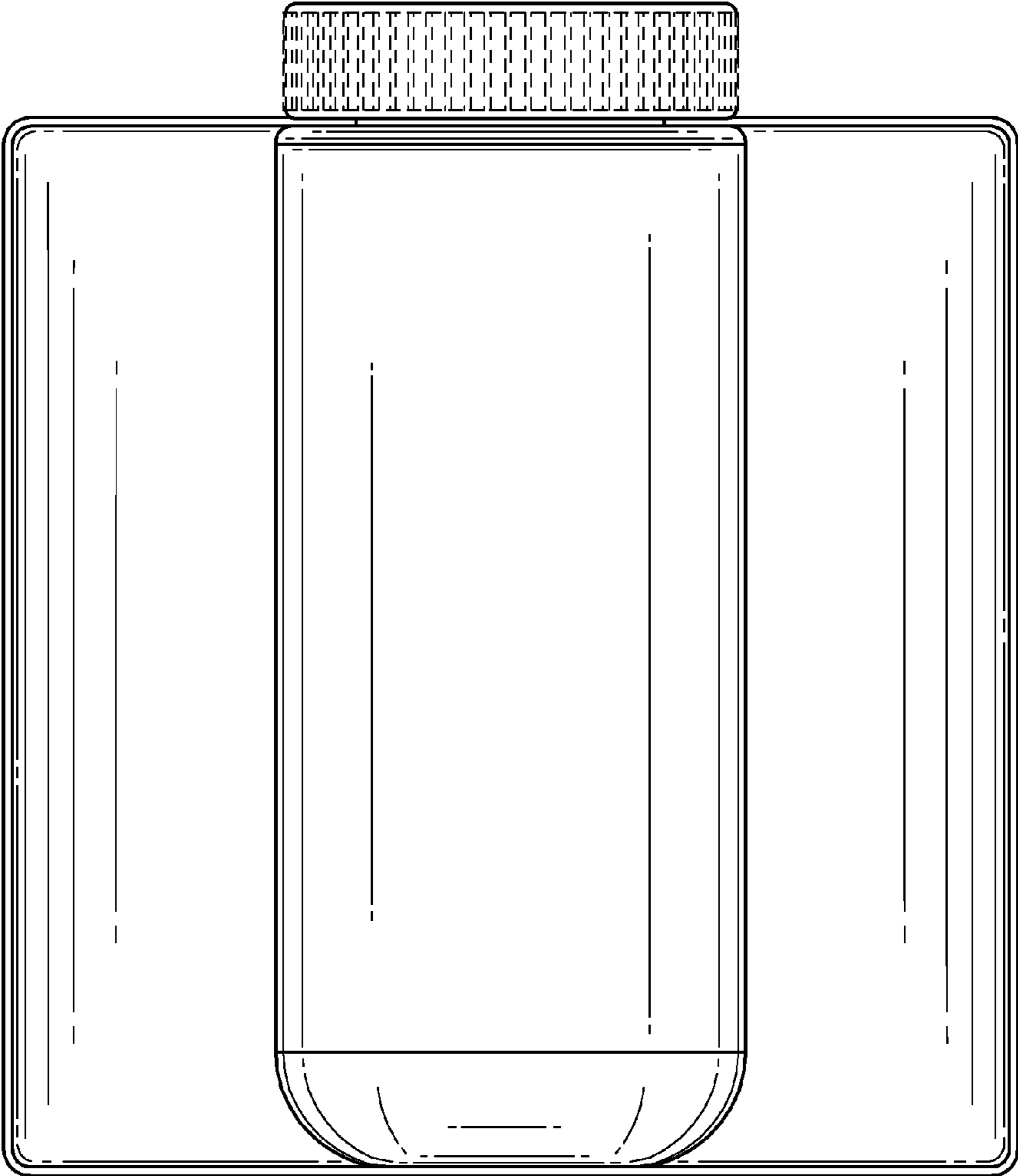


FIG. 2

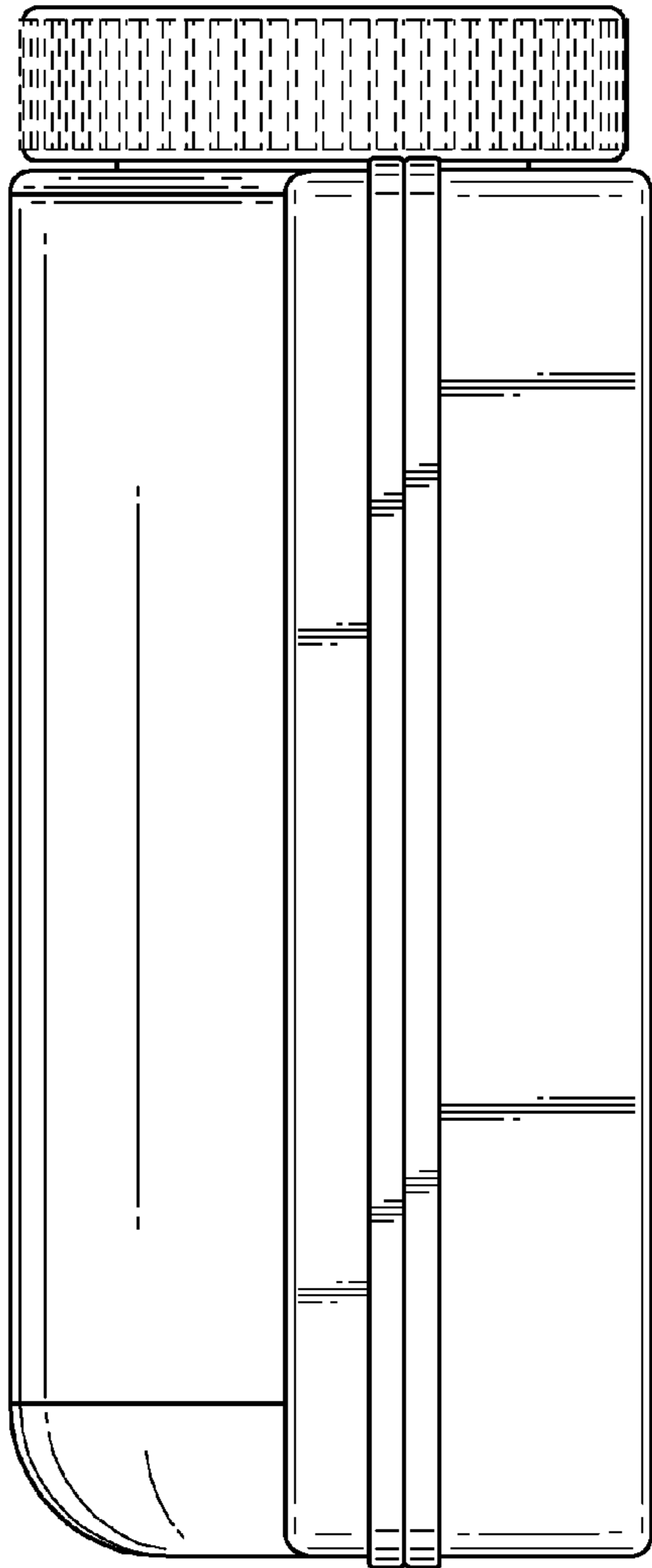


FIG. 3

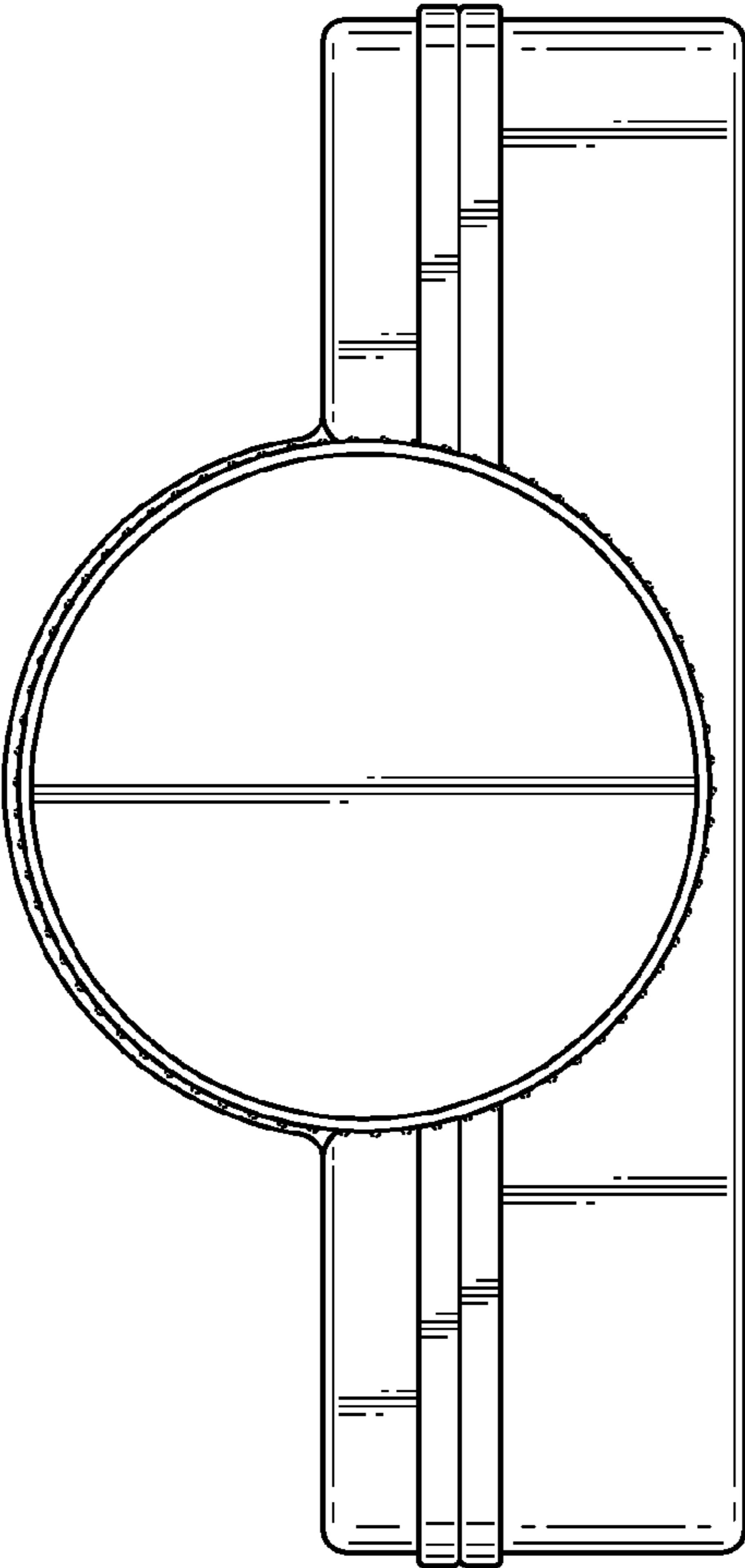


FIG. 4

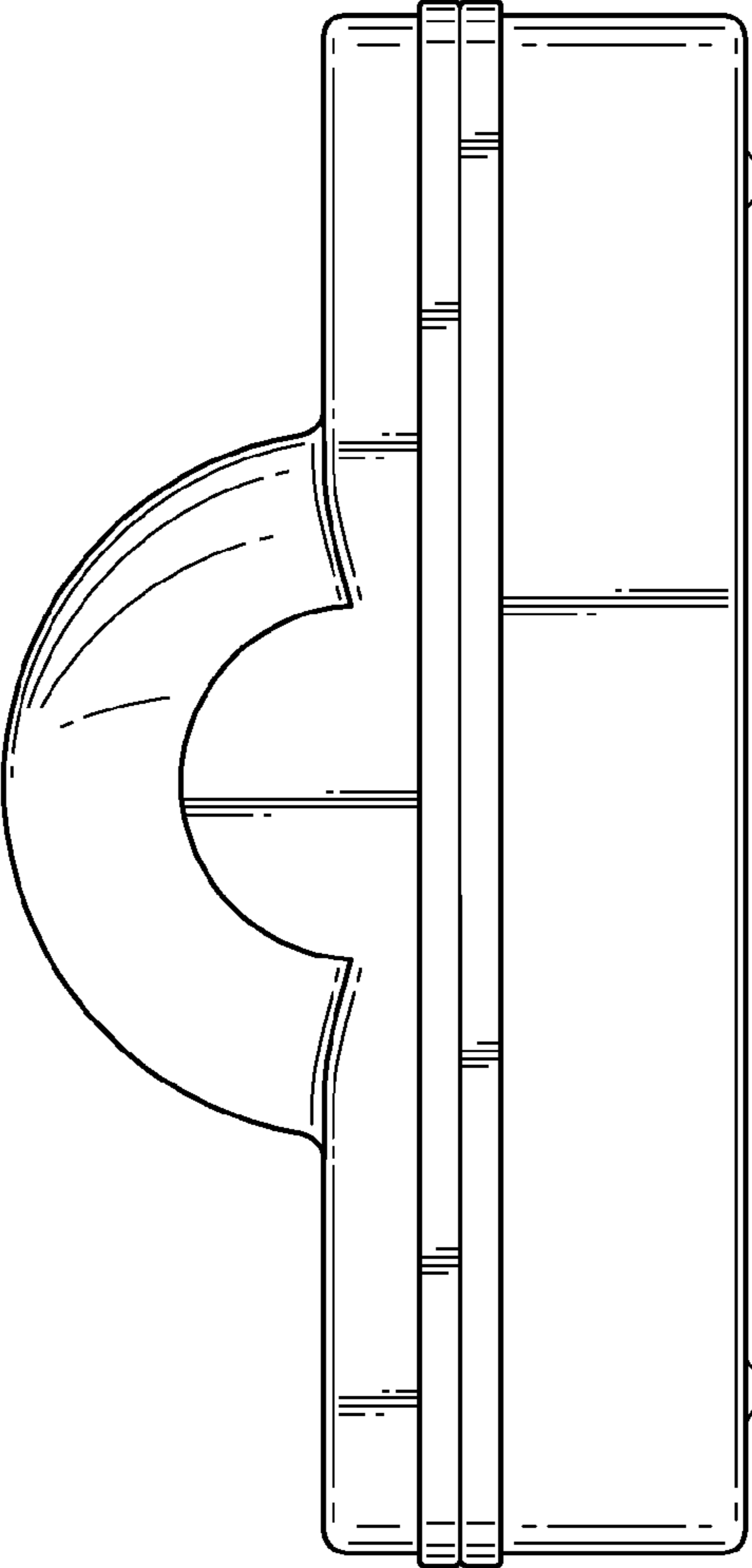


FIG. 5

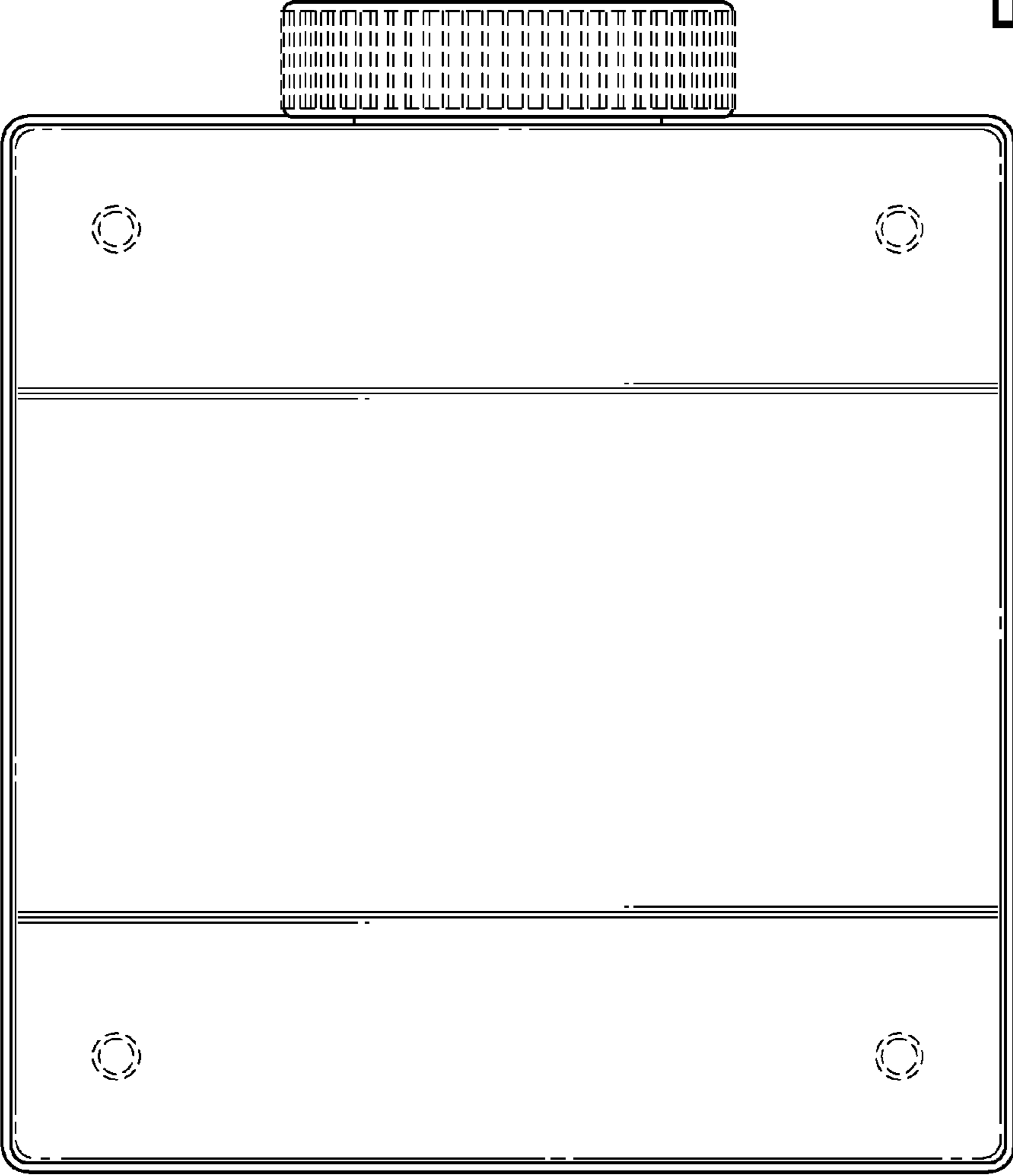


FIG. 6