



US00D739739S

(12) **United States Design Patent**
DeMarco et al.

(10) **Patent No.:** **US D739,739 S**

(45) **Date of Patent:** **** Sep. 29, 2015**

(54) **COSMETIC CONTAINER**
(71) Applicant: **MARY KAY INC.**, Dallas, TX (US)
(72) Inventors: **Jenny DeMarco**, Frisco, TX (US);
Tammy Schriewer, Dallas, TX (US)

(73) Assignee: **Mary Kay Inc.**, Addison, TX (US)

(**) Term: **14 Years**

(21) Appl. No.: **29/502,064**

(22) Filed: **Sep. 11, 2014**

(51) **LOC (10) Cl.** **09-01**

(52) **U.S. Cl.**
USPC **D9/504**; D9/454

(58) **Field of Classification Search**
USPC D9/434-435, 444-445, 451, 454, 500,
D9/503-505, 516, 529-530, 537, 539,
D9/544-545, 549, 558, 682, 686, 688-691,
D9/715, 719; D28/4, 8, 73, 76-77
CPC B65D 1/00; B65D 1/02; B65D 1/0207;
B65D 1/0223; B65D 1/10; B65D 23/00;
B65D 2501/00; B65D 2501/0009
See application file for complete search history.

(56) **References Cited**

U.S. PATENT DOCUMENTS

1,163,805 A	12/1915	Bonn et al.	215/319
D59,583 S *	11/1921	Green	D9/777
2,068,759 A	1/1937	La Douce	222/42
D139,381 S *	11/1944	Harris	D9/504
2,711,766 A	6/1955	Archer et al.	220/62.18
2,793,012 A	5/1957	Wolf	366/248
D189,374 S *	11/1960	Harris	D9/504
3,464,599 A	9/1969	Meth	222/589
D237,926 S *	12/1975	Katzander	D6/529
D240,887 S *	8/1976	Daenen	D7/316
D253,037 S	10/1979	Barouh	9/504
D271,082 S	10/1983	Jackson	9/651
D278,598 S	4/1985	Weber	9/504

D285,655 S	9/1986	MachLaughlin et al.	9/500
D355,098 S	2/1995	Lin	7/605
D372,644 S	8/1996	Husted	7/679
D373,730 S	9/1996	Baron	9/504
D402,894 S	12/1998	Elia	9/504
D405,003 S	2/1999	Dapsanse	9/663

(Continued)

FOREIGN PATENT DOCUMENTS

CN	2008/30177004.2	9/1969
CN	91302498.8	9/1992

(Continued)

OTHER PUBLICATIONS

“A New Beauty Brand is Born; The Estee Lauder Companies Inc. Unveils Osiao” *Emirates Week*, Oct. 3, 2012. Web. Dec. 27, 2013. <http://www.emiratesweek.com/2012/10/29294>.

(Continued)

Primary Examiner — Dana L Meyrow

(74) *Attorney, Agent, or Firm* — Norton Rose Fulbright US LLP

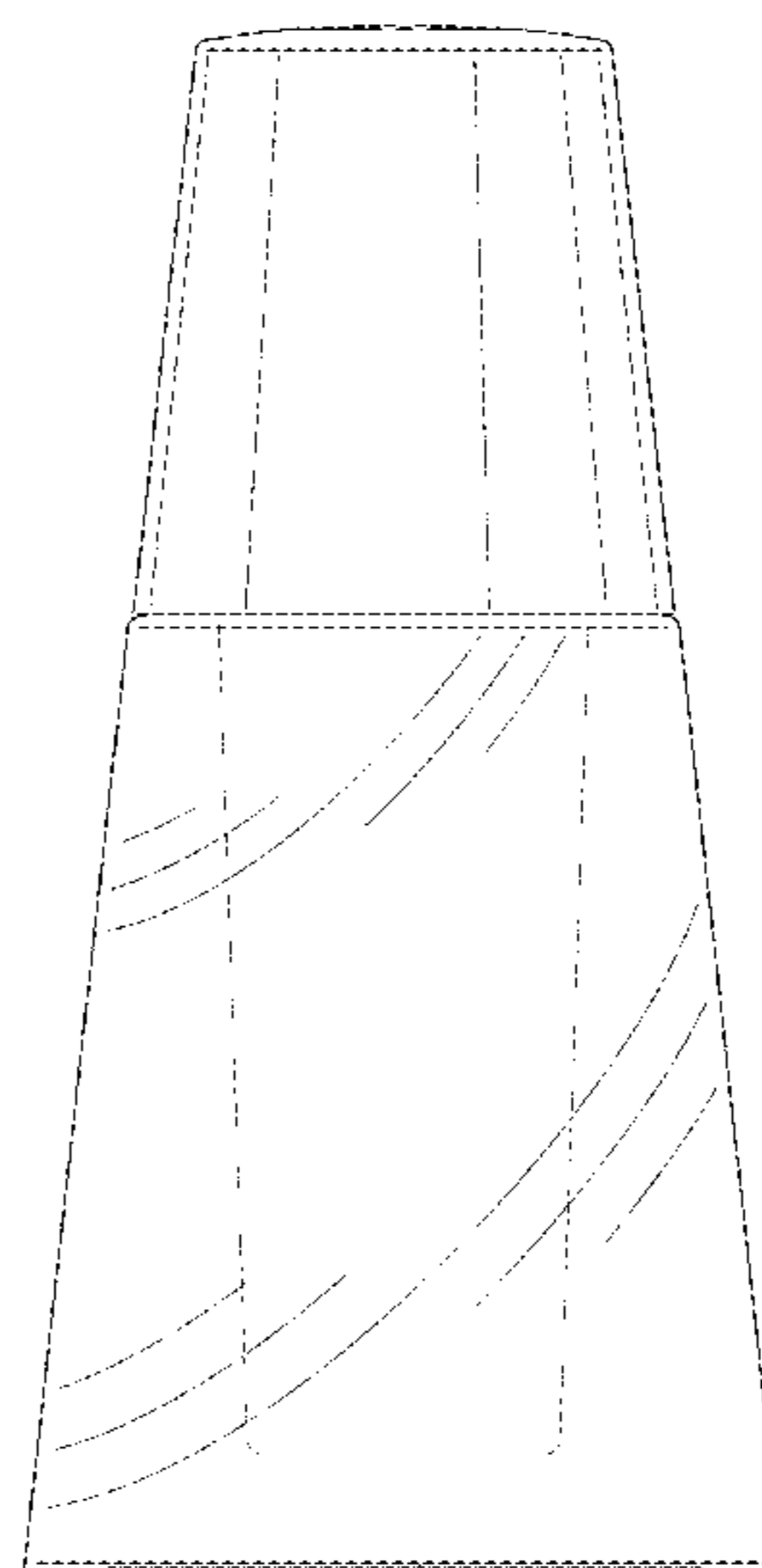
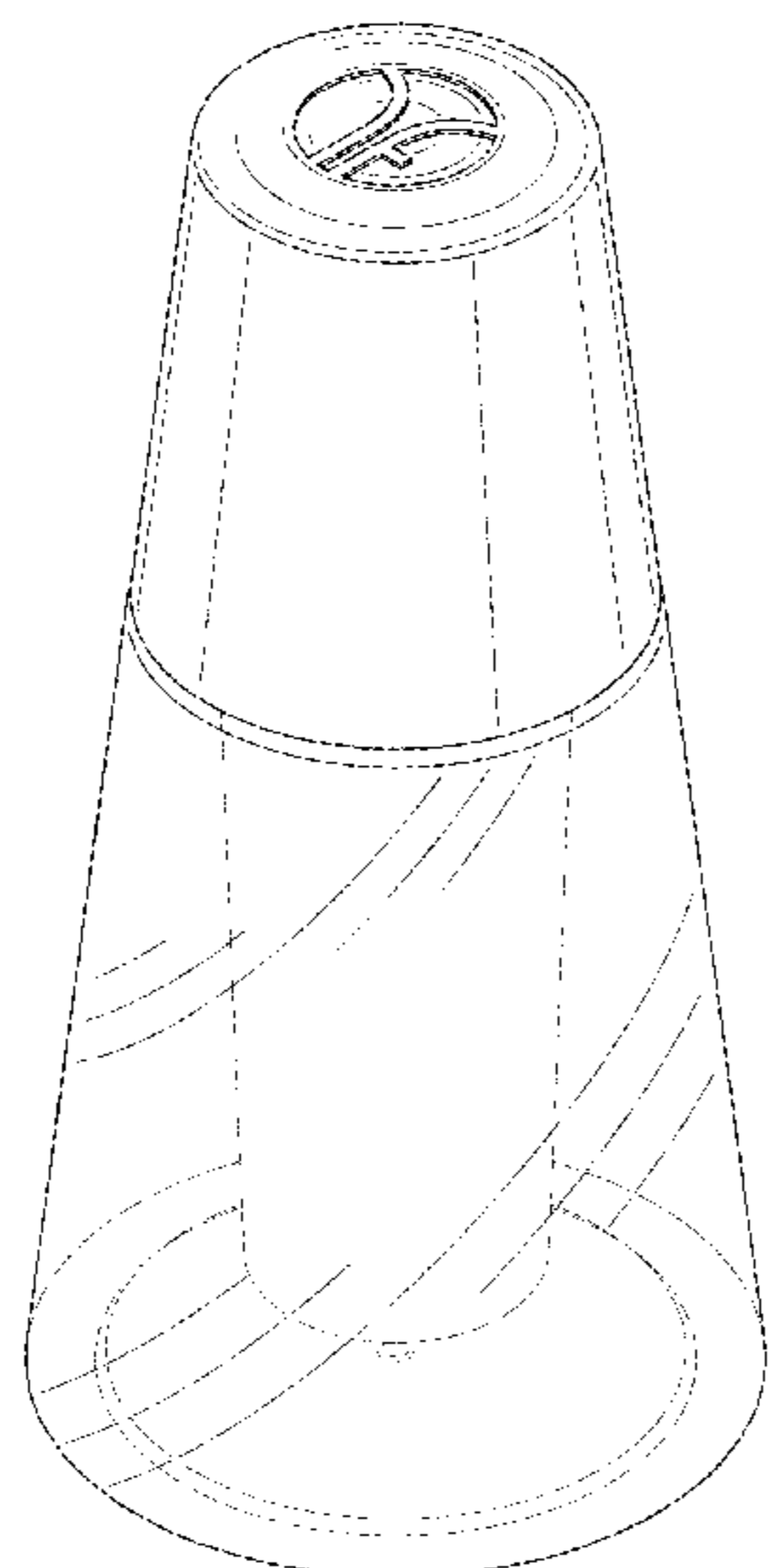
(57) **CLAIM**

We claim the ornamental design for a cosmetic container, as shown and described.

DESCRIPTION

FIG. 1 is a perspective view of a cosmetic container showing our new design;
FIG. 2 is a front elevation view thereof;
FIG. 3 is a rear elevation view thereof;
FIG. 4 is a right side elevation view thereof;
FIG. 5 is a left side elevation view thereof; and,
FIG. 6 is a top plan view thereof.
The dashed lines in the drawings illustrate the portions of the cosmetic container that form no part of the claim.

1 Claim, 6 Drawing Sheets



(56)

References Cited

U.S. PATENT DOCUMENTS

D406,921 S 3/1999 Roeder 28/7
 D423,924 S 5/2000 Laracy 9/692
 D434,324 S 11/2000 Gobe 9/504
 D446,123 S 8/2001 Sobati 9/516
 D446,728 S 8/2001 Bakic 9/558
 D460,545 S 7/2002 Hautmann et al. 23/366
 D463,262 S 9/2002 Gobe 9/689
 D465,410 S 11/2002 Kikuchi 9/691
 D470,273 S 2/2003 Revivo 28/76
 D472,147 S 3/2003 Herrmann 9/504
 D483,671 S 12/2003 Pinnavaia 9/500
 D484,055 S 12/2003 Feigenbaum 9/500
 D497,441 S 10/2004 Therrien et al. 26/9
 D522,369 S 6/2006 Penn 9/520
 D525,167 S 7/2006 Katznelson 11/153
 D531,041 S 10/2006 Sauer et al. 9/529
 D541,159 S 4/2007 Robinson 9/516
 D542,665 S 5/2007 Poe, II 9/529
 D544,352 S 6/2007 Dittmer et al. 9/504
 D545,678 S 7/2007 Dittmer et al. 9/504
 D548,084 S 8/2007 Dittmer et al. 9/504
 D571,663 S 6/2008 Bakic 9/500
 D581,279 S 11/2008 Oates 9/529
 D595,136 S 6/2009 Canamasas Puigbo 9/529
 D603,266 S 11/2009 Dibnah et al. 9/529
 D604,163 S 11/2009 Nelson et al. 9/504
 D605,943 S 12/2009 Mueller et al. 9/516
 D613,174 S 4/2010 Pecora 9/529
 D615,404 S 5/2010 Pitzer et al. 9/500
 D615,868 S 5/2010 Rodriguez et al. 9/529
 D620,807 S 8/2010 Wang Treadway et al. 9/691
 D627,650 S 11/2010 Yeung 9/504
 D634,977 S 3/2011 Mouquet 7/598
 D637,910 S 5/2011 Yeung 9/504
 D638,710 S 5/2011 Yeung 9/504
 D640,925 S 7/2011 Rodriguez et al. 9/529
 D641,245 S 7/2011 Rodriguez et al. 9/529
 D651,900 S 1/2012 Ashiwa et al. 9/504
 D652,319 S 1/2012 Cohen et al. 9/691
 D653,123 S 1/2012 Ziegler 9/773
 D659,537 S 5/2012 Ritzenhoff 9/500
 D674,698 S 1/2013 Mongeon et al. 9/504

D685,637 S 7/2013 Colon et al. 9/500
 D685,639 S 7/2013 Colon et al. 9/504
 D687,303 S 8/2013 Colon et al. 9/504
 D721,967 S * 2/2015 DeMarco D9/504
 D728,382 S * 5/2015 Goswell D9/745

FOREIGN PATENT DOCUMENTS

CN 97330350.6 12/1998
 CN 99318602.5 6/2000
 CN 1300811.0 10/2001
 CN 3300318.1 9/2003
 CN 03309569.8 10/2003
 CN 2005/30004027.X 11/2005
 CN 2006/301299.7.5 5/2007
 CN 2006/30153078.3 5/2007
 CN 2006/30153067.5 9/2007
 CN 2007/30115836.7 4/2008
 CN 2008/30177012.7 9/2009
 CN 2009/30070342.0 1/2010
 CN 2009/30007682.9 3/2010
 CN 2009/30006647.5 6/2010
 CN 2010/30111073.0 9/2010
 CN 2010/30111212.X 10/2010
 CN 2010/30588086.7 4/2011
 CN 2011/30336500.X 2/2012
 CN 2011/3033871.9 4/2012
 CN 2011/30356224.3 5/2012
 CN 2012/30122099.4 8/2012
 TW D123656 7/2008
 TW D139202 3/2011
 TW D142590 9/2011
 TW D147683 6/2012
 TW D1443759 6/2012

OTHER PUBLICATIONS

Search Report issued in Taiwan Patent Application No. 102308280, dated Aug. 1, 2014. (English translation included).
 Search Report issued in Taiwan Patent Application No. 103306305, dated Dec. 29, 2014 (English translation included).
 Search Report issued in Taiwan patent Application No. 103305392, dated Feb. 24, 2015 (English translation included).

* cited by examiner

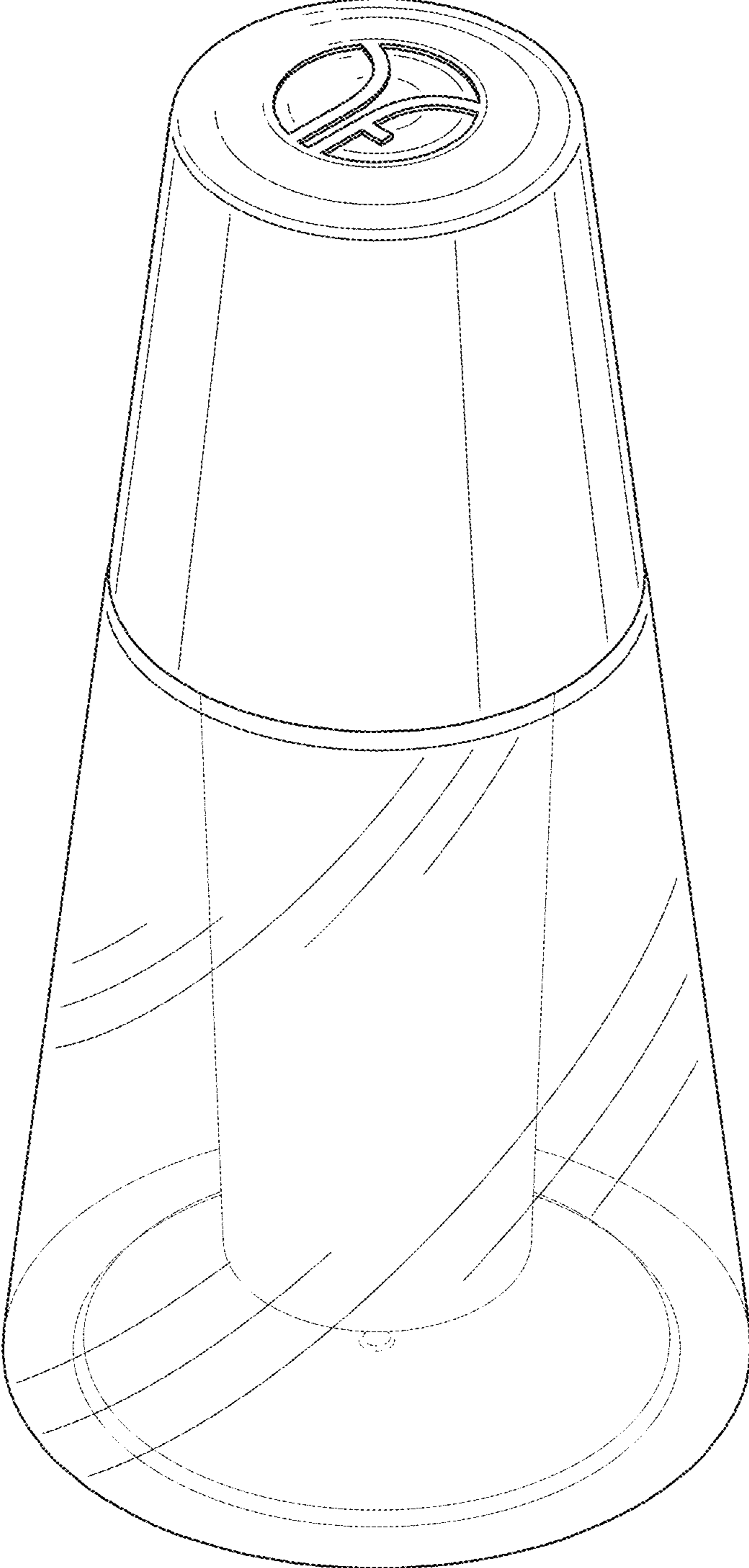


FIG. 1

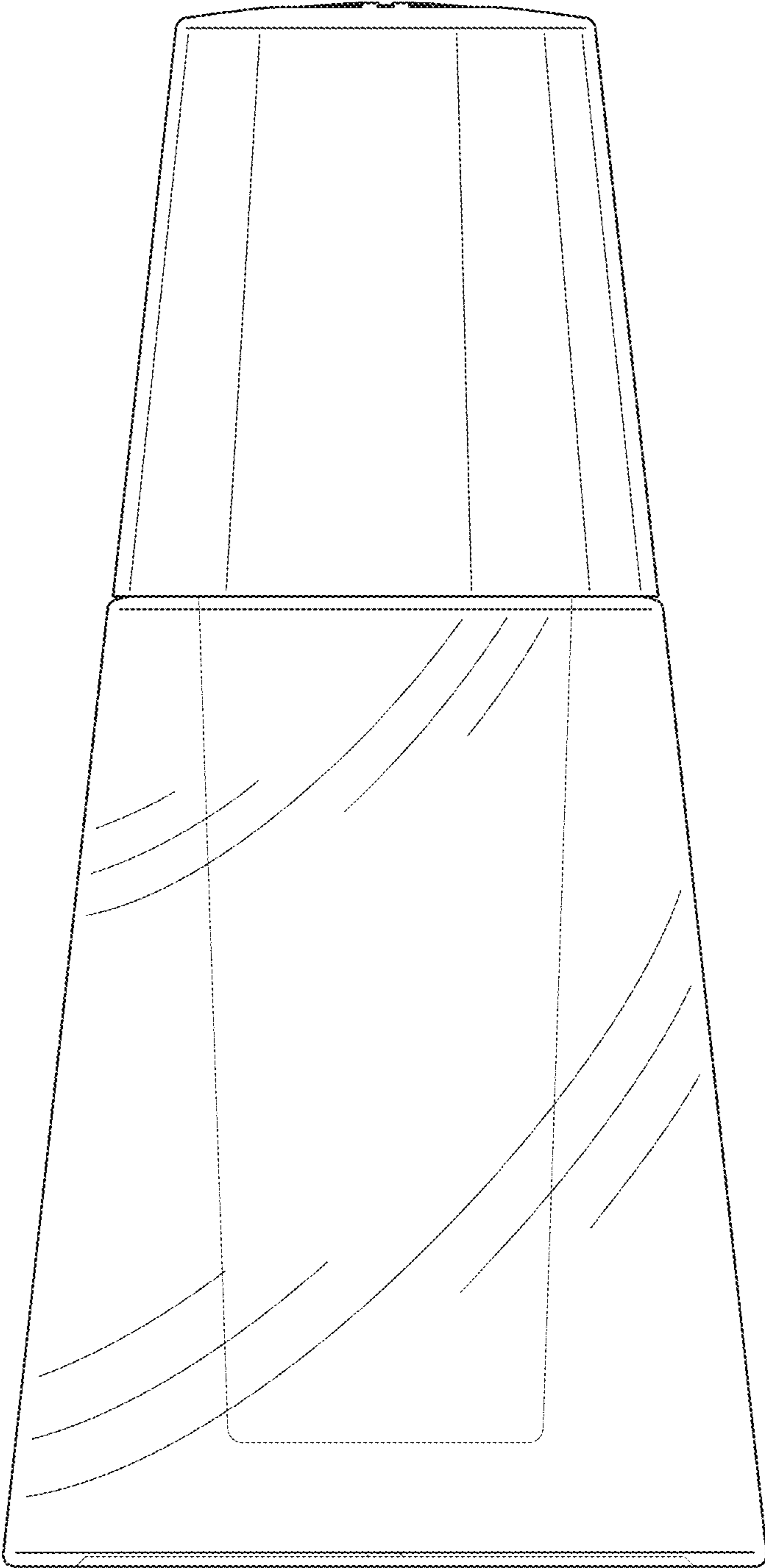


FIG. 2

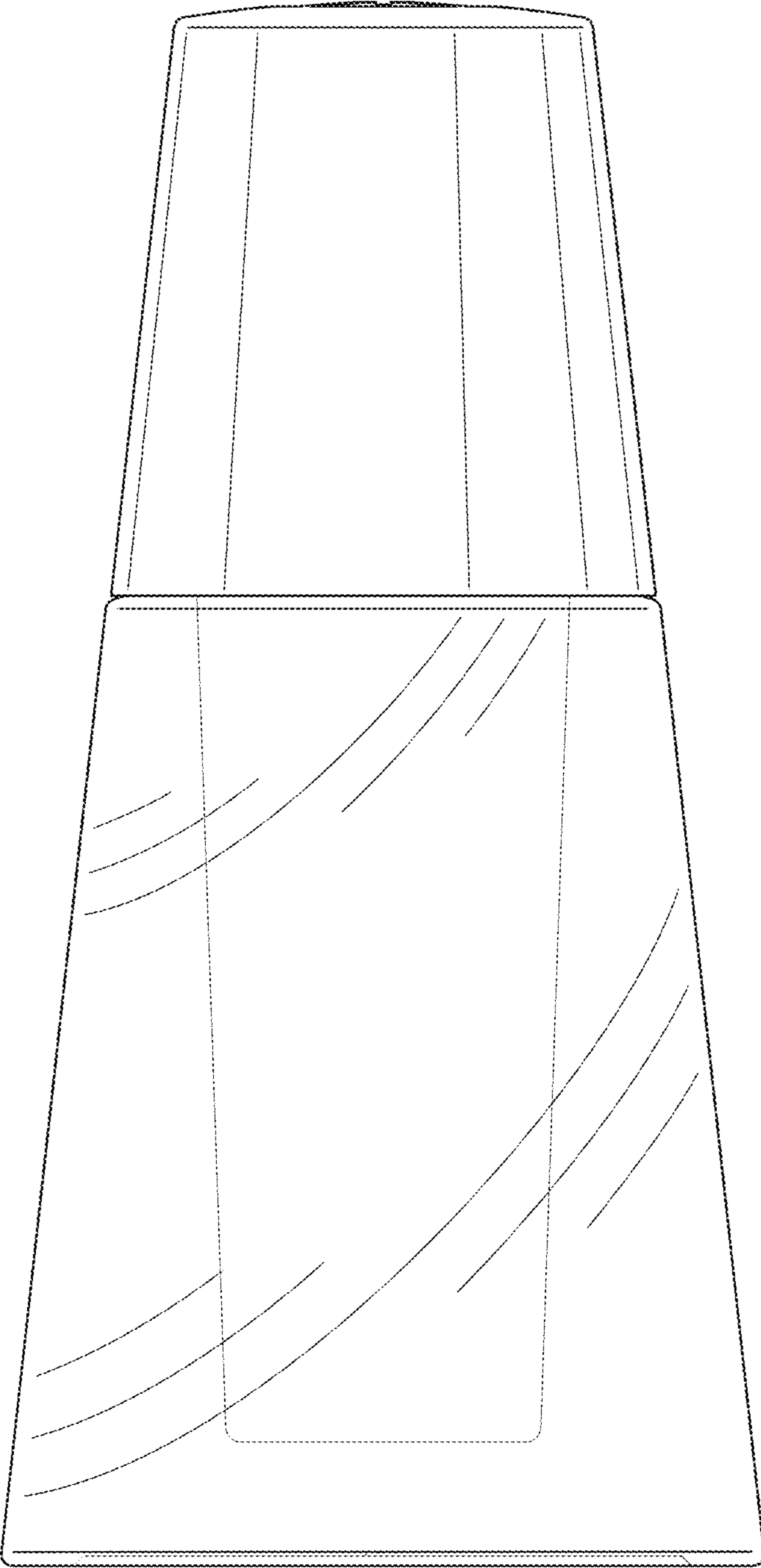


FIG. 3

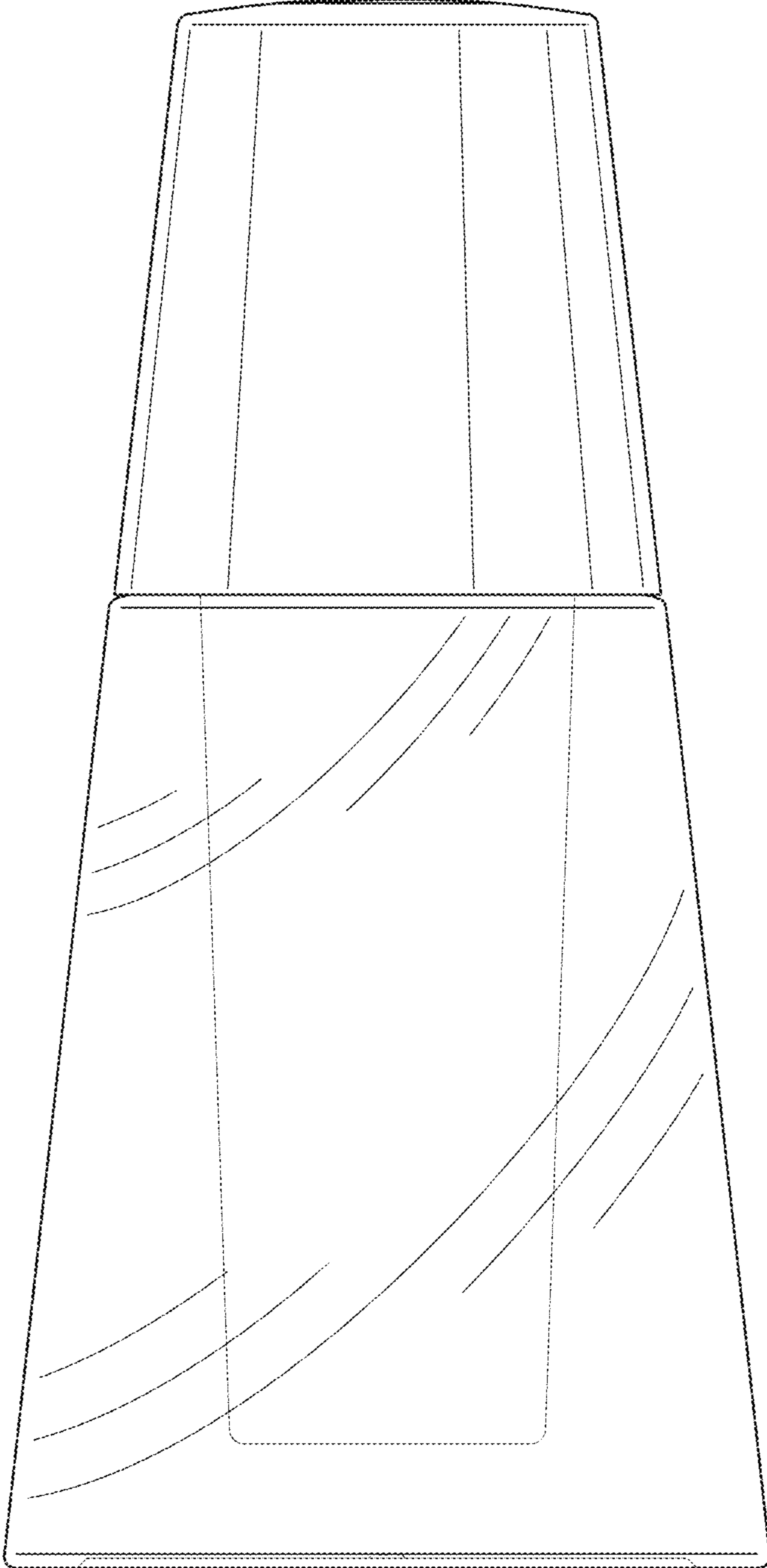


FIG. 4

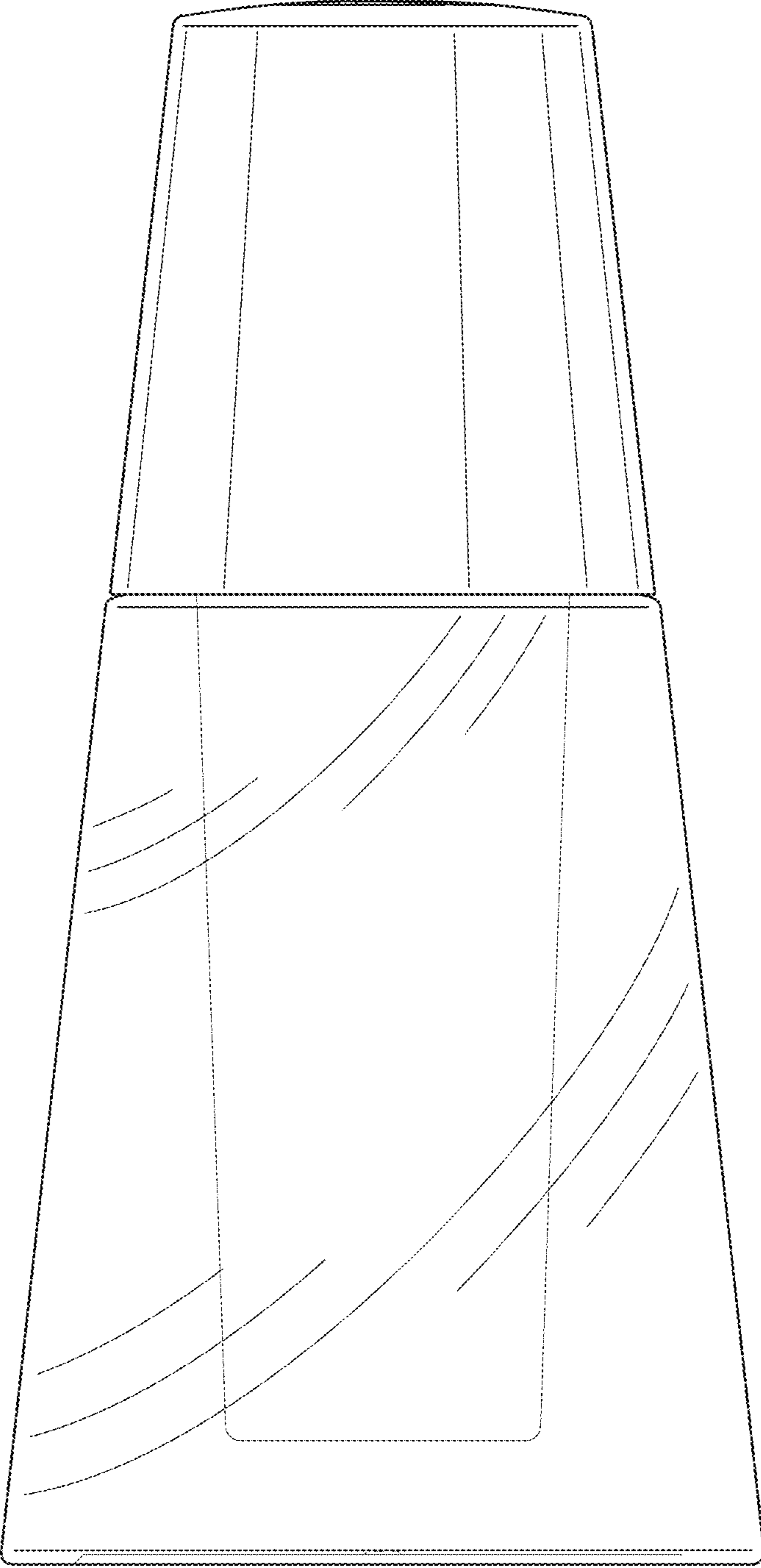


FIG. 5

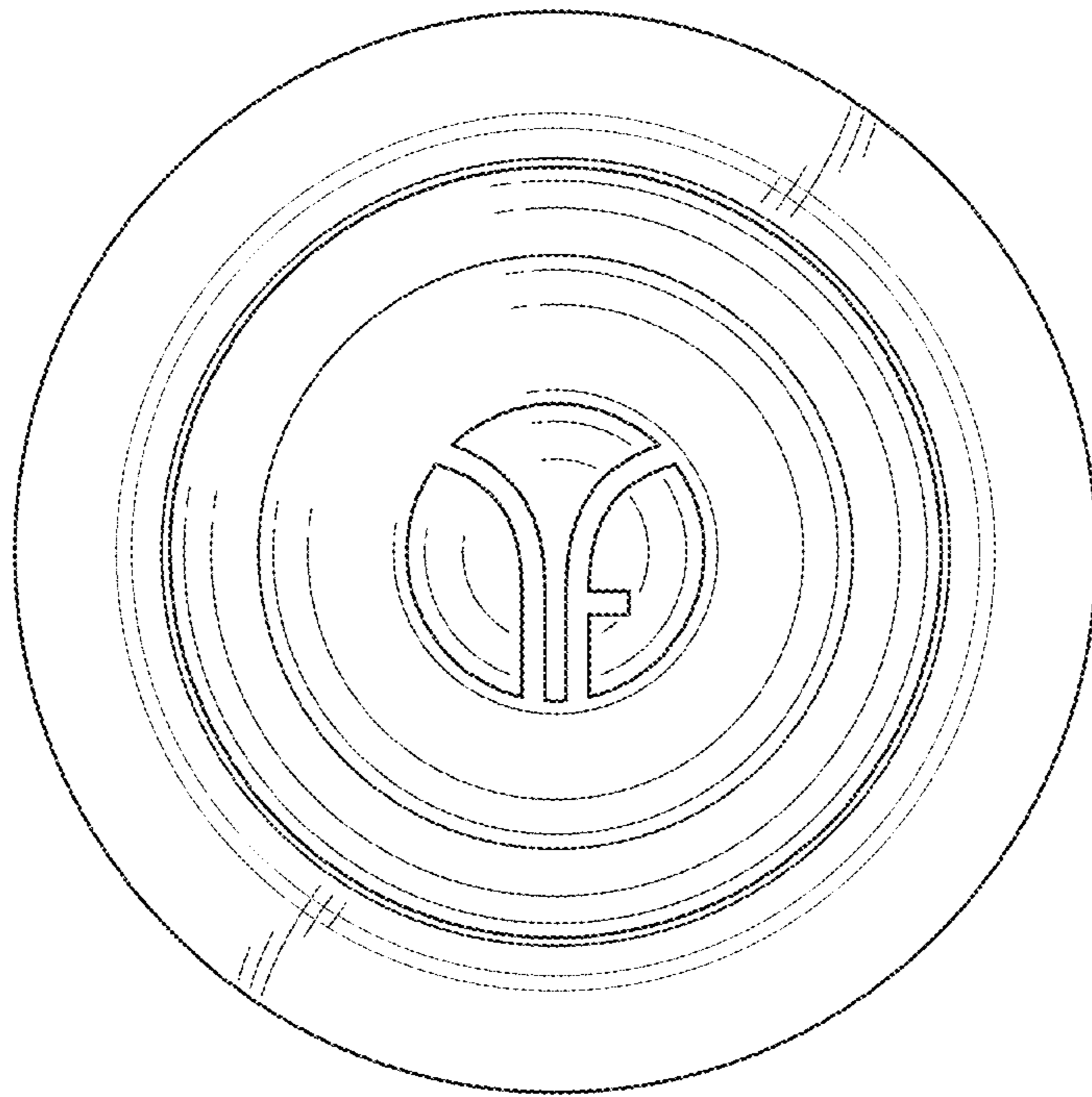


FIG. 6

UNITED STATES PATENT AND TRADEMARK OFFICE
CERTIFICATE OF CORRECTION

PATENT NO. : D739,739 S
APPLICATION NO. : 29/502064
DATED : September 29, 2015
INVENTOR(S) : Jenny DeMarco et al.

Page 1 of 1

It is certified that error appears in the above-identified patent and that said Letters Patent is hereby corrected as shown below:

TITLE PAGE

In the FOREIGN PATENT DOCUMENTS, Item (56), column 2, line 25, delete “CN 2011/3033871.9” and insert -- CN 2011/3033878.9 -- therefor.

Signed and Sealed this
Eleventh Day of October, 2016



Michelle K. Lee
Director of the United States Patent and Trademark Office