



US00D739738S

(12) **United States Design Patent**  
**Kawai**

(10) **Patent No.:** **US D739,738 S**

(45) **Date of Patent:** **\*\* Sep. 29, 2015**

- (54) **JAR**
- (71) Applicant: **Kanako Kawai**, Tokyo (JP)
- (72) Inventor: **Kanako Kawai**, Tokyo (JP)
- (73) Assignee: **SHISEIDO CO., LTD.**, Tokyo (JP)
- (\*\*) Term: **14 Years**

- (21) Appl. No.: **29/488,426**
- (22) Filed: **Apr. 18, 2014**
- (51) **LOC (10) Cl.** ..... **09-01**
- (52) **U.S. Cl.**  
USPC ..... **D9/504**; D9/435; D9/529
- (58) **Field of Classification Search**  
USPC ..... D9/434-435, 444-445, 454, 500,  
D9/503-504, 516, 529-530, 537-543, 549,  
D9/558, 560, 574-575, 715; D3/205;  
D28/5, 73, 76-77  
CPC ..... B65D 1/00; B65D 1/02; B65D 1/0223;  
B65D 23/00; B65D 81/00; B65D 81/3837;  
B65D 81/3865; B65D 2501/00; B65D  
2501/0009  
See application file for complete search history.

(56) **References Cited**

**U.S. PATENT DOCUMENTS**

- D183,424 S \* 8/1958 Goldberg ..... D9/452
- 4,440,181 A \* 4/1984 Scherer ..... 132/73.5

- D373,084 S \* 8/1996 Choi ..... D9/504
- D474,974 S \* 5/2003 Bakic ..... D9/504
- D505,074 S \* 5/2005 Bakic ..... D9/504
- D512,914 S \* 12/2005 Moretti ..... D9/454
- D532,556 S \* 11/2006 Noh ..... D28/76
- D574,710 S \* 8/2008 Gangrade ..... D9/504
- D574,712 S \* 8/2008 Bakic ..... D9/522
- D666,912 S \* 9/2012 Kawai ..... D9/504
- D699,593 S \* 2/2014 Boon et al. .... D9/734

\* cited by examiner

*Primary Examiner* — Dana L Meyrow

(74) *Attorney, Agent, or Firm* — Manabu Kanesaka

(57) **CLAIM**

The ornamental design for a jar, as shown and described.

**DESCRIPTION**

FIG. 1 is a perspective view of a jar showing my new design;  
 FIG. 2 is a front view thereof;  
 FIG. 3 is a rear view thereof;  
 FIG. 4 is a plan view thereof;  
 FIG. 5 is a bottom view thereof; and,  
 FIG. 6 is a right side view thereof, a left side view being  
 symmetrical to the right side view thereof.

**1 Claim, 4 Drawing Sheets**

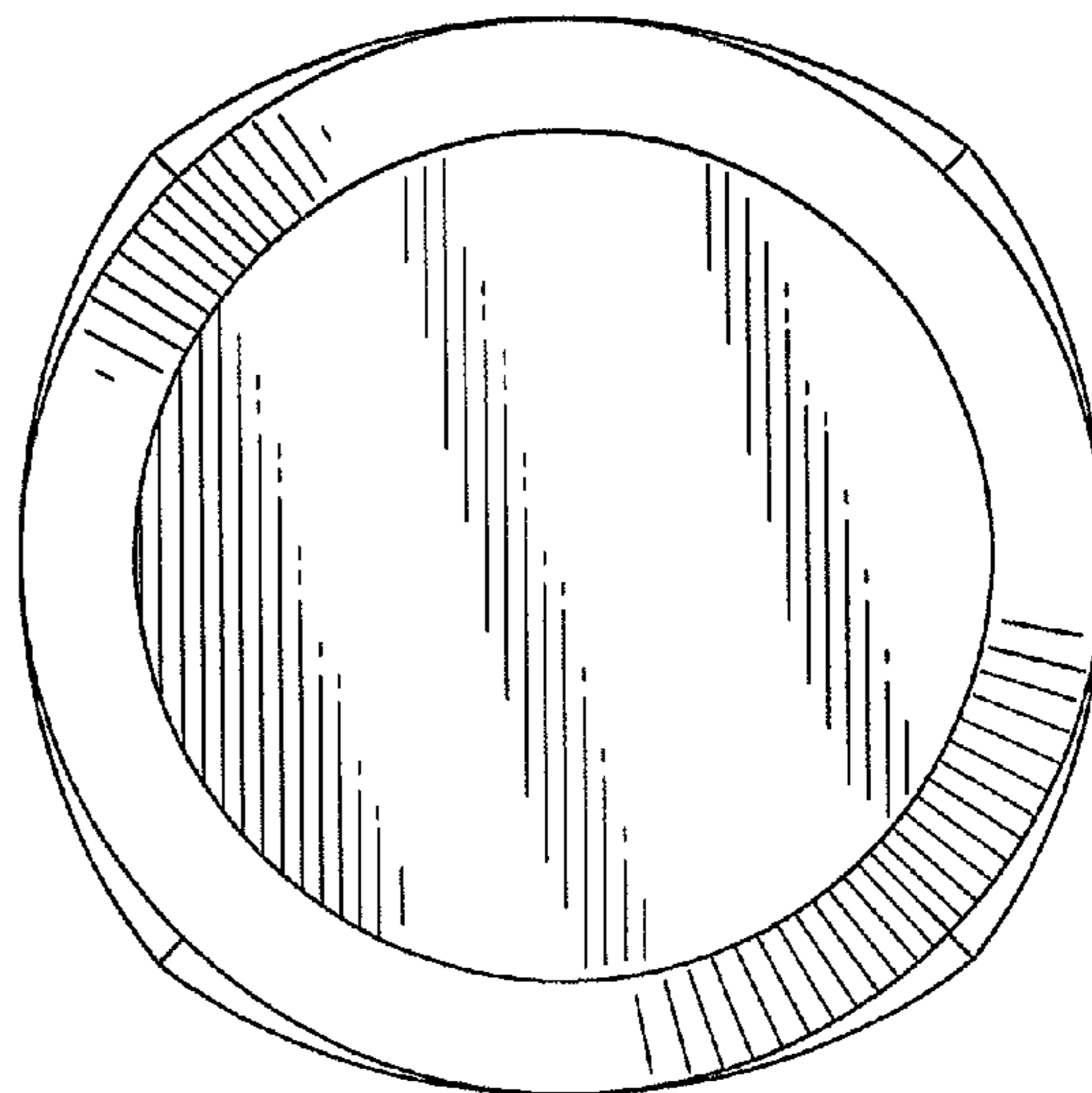
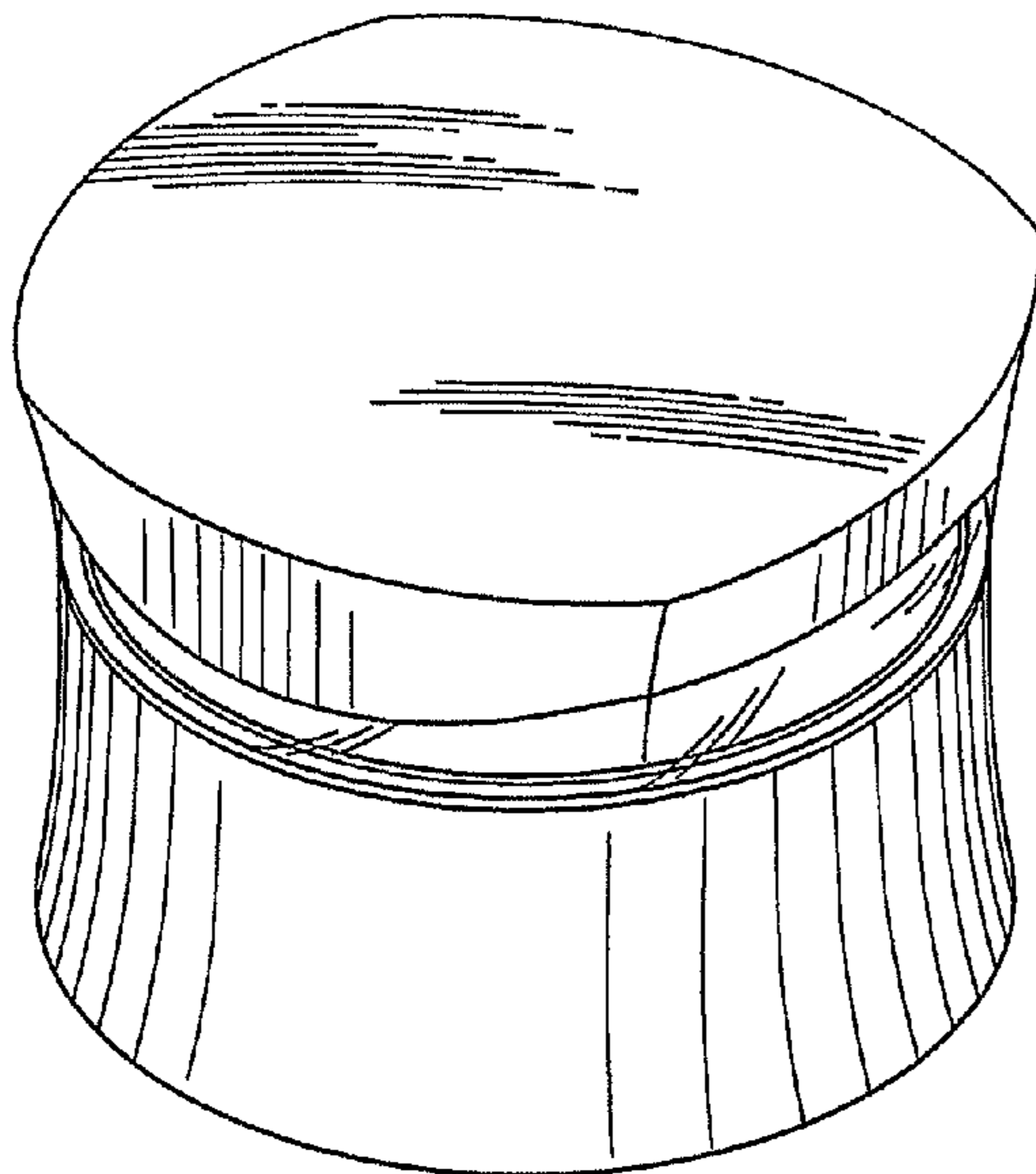


Fig. 1

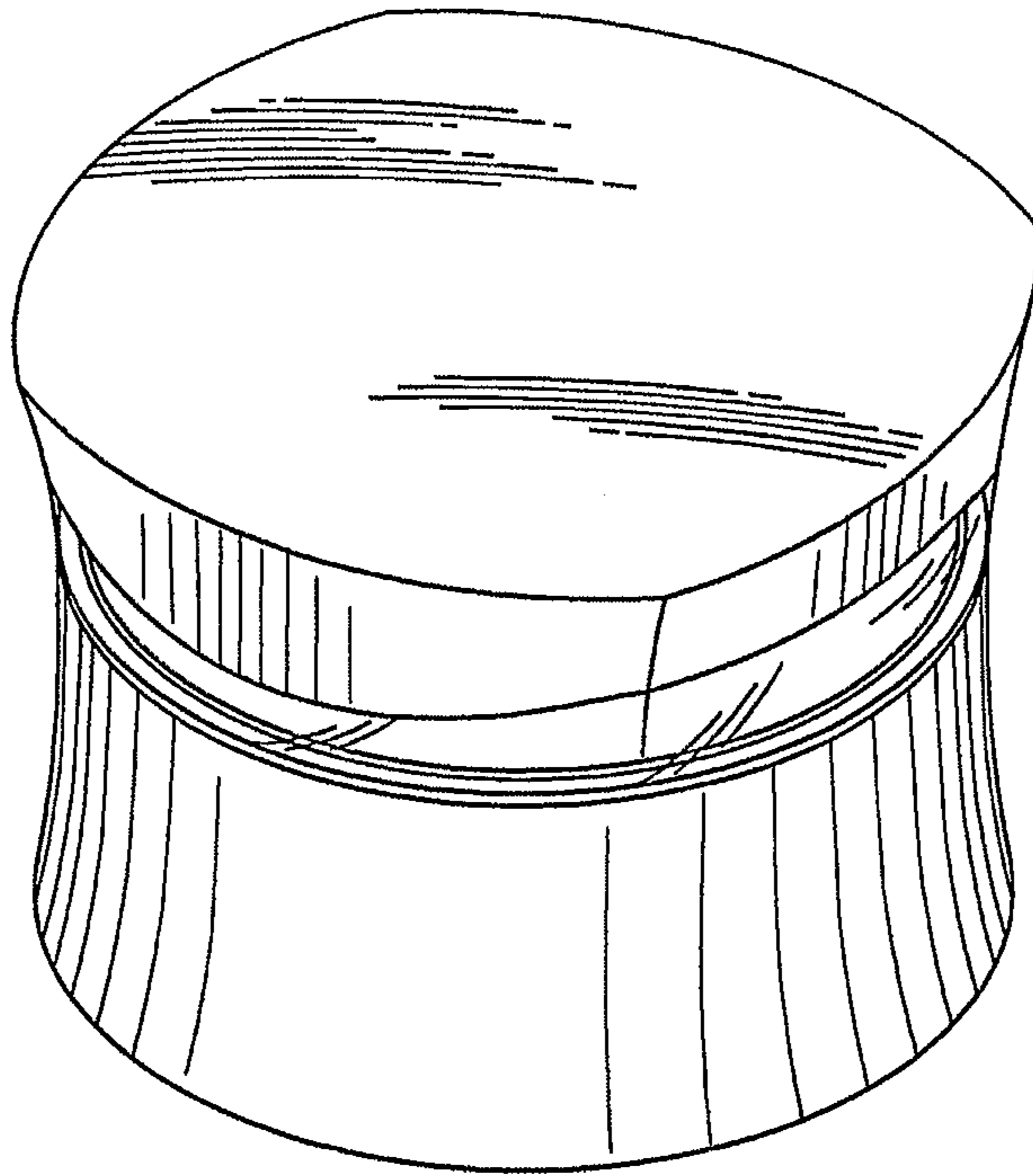


Fig. 2

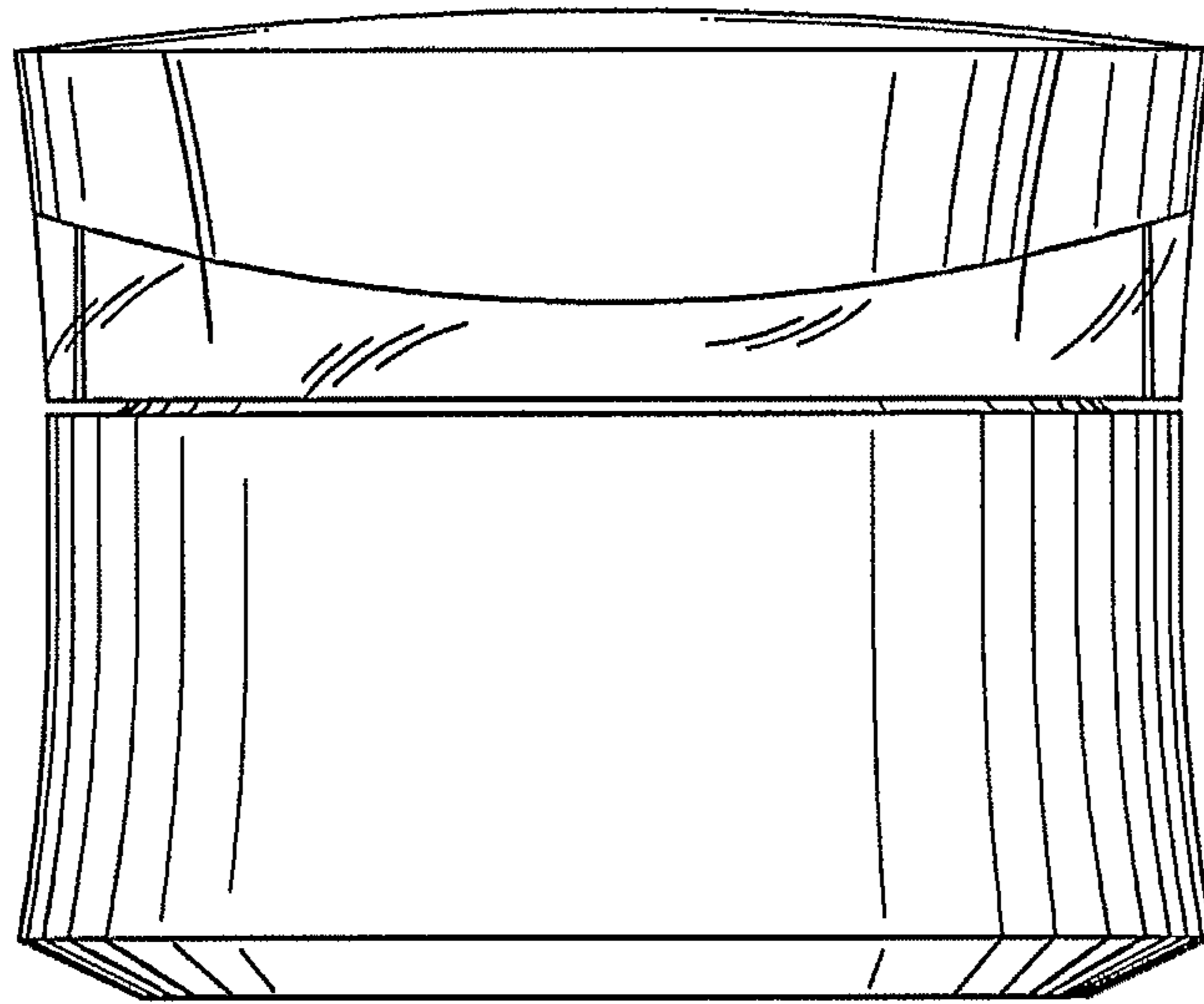


Fig. 3

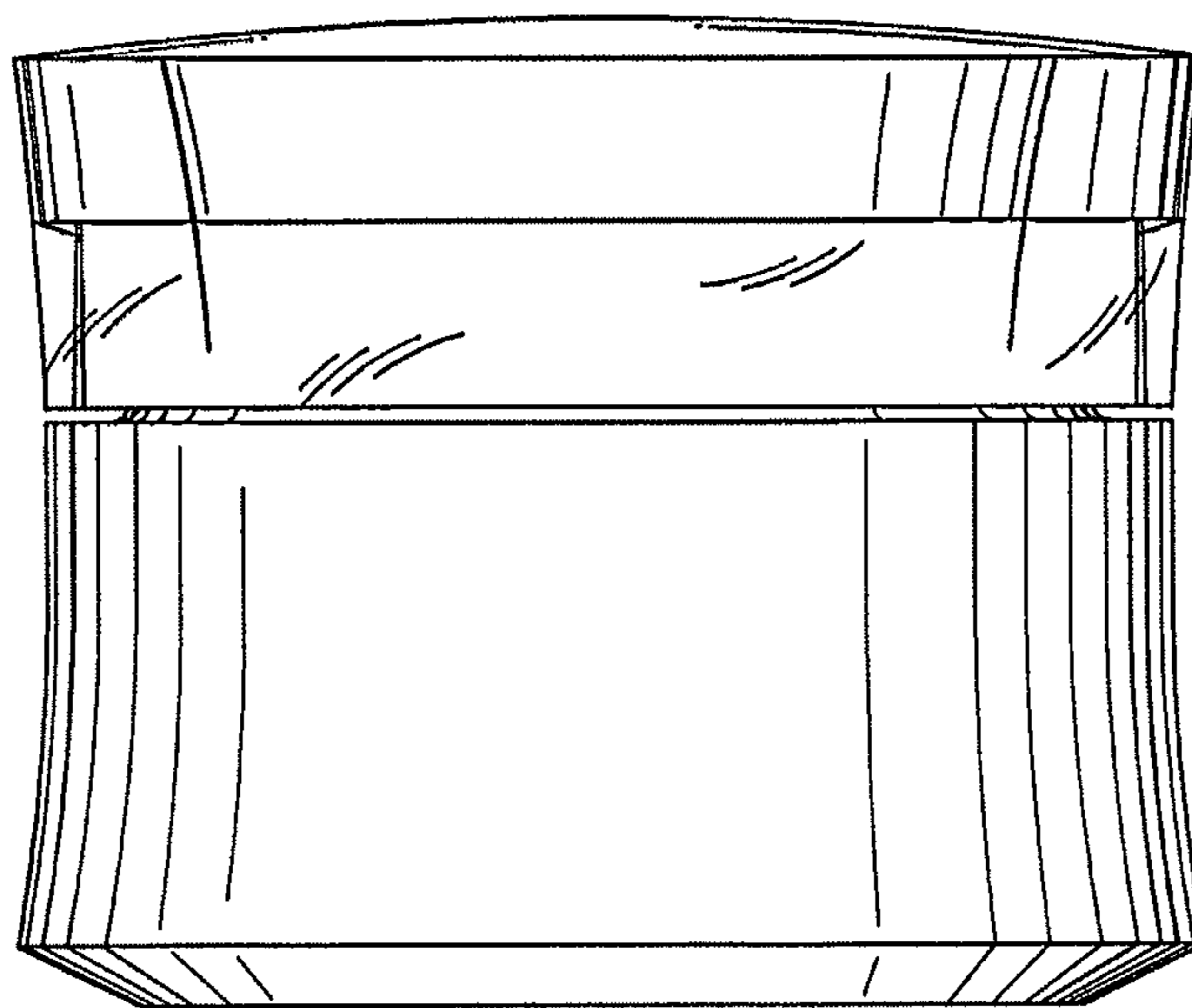


Fig. 4

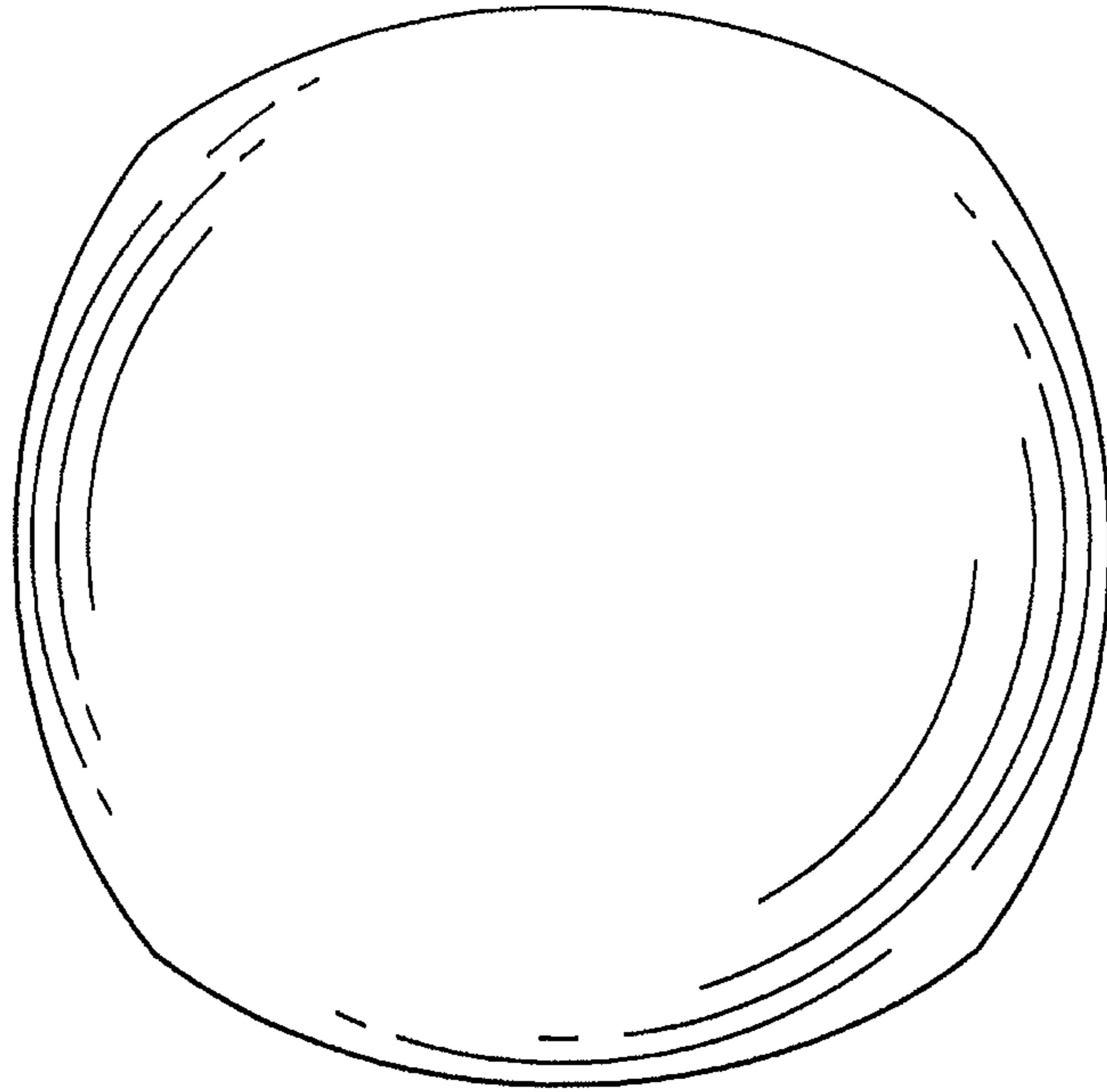


Fig. 5

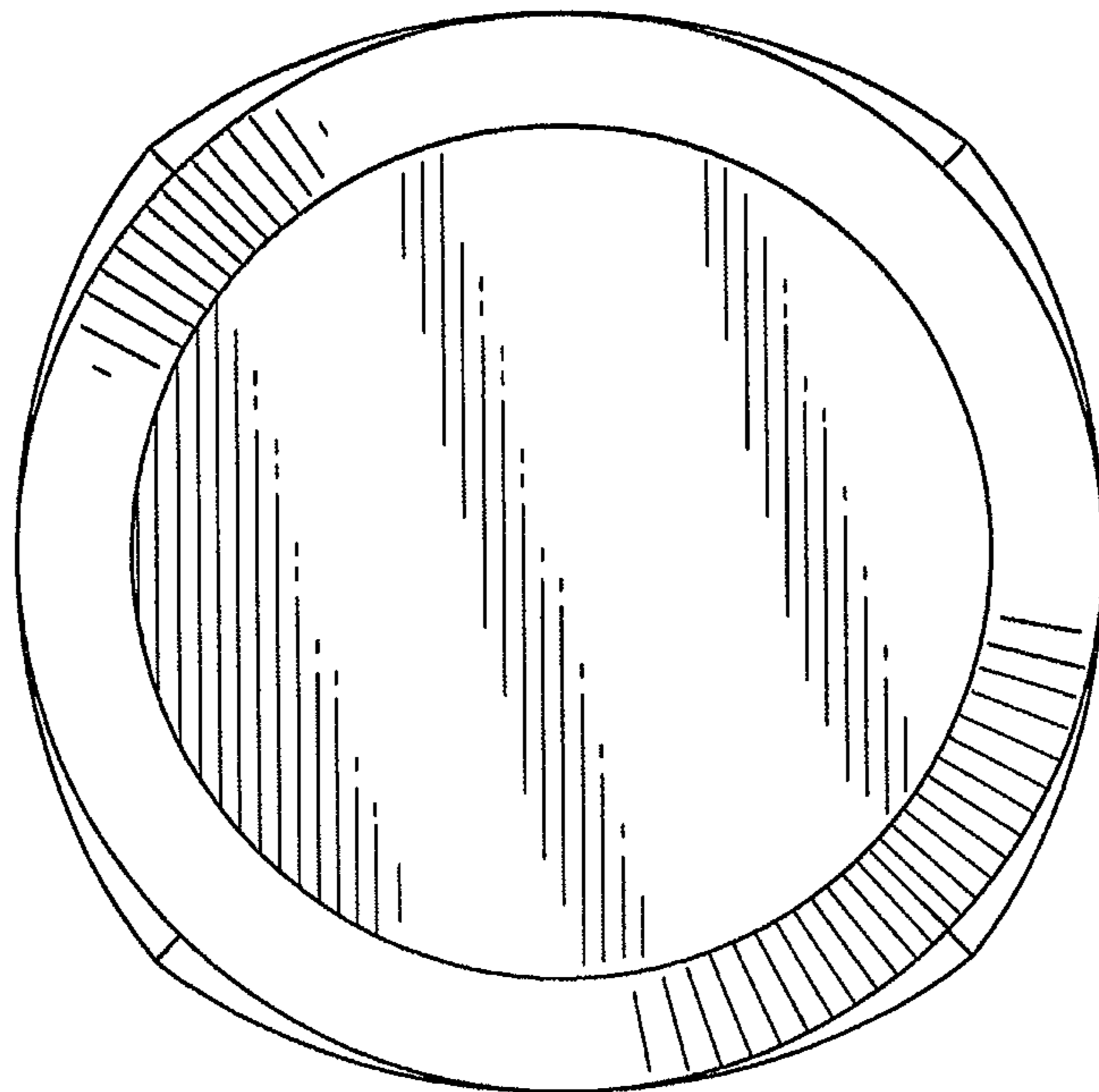


Fig. 6

