



US00D739736S

(12) **United States Design Patent**
Fleischhacker

(10) **Patent No.:** **US D739,736 S**

(45) **Date of Patent:** **** Sep. 29, 2015**

(54) **CONTAINER BODY PORTION**

(71) Applicant: **Plastipak Packaging, Inc.**, Plymouth, MI (US)

(72) Inventor: **Kyle Fleischhacker**, Dearborn, MI (US)

(73) Assignee: **Plastipak Packaging, Inc.**, Plymouth, MI (US)

(**) Term: **14 Years**

(21) Appl. No.: **29/499,940**

(22) Filed: **Aug. 20, 2014**

(51) **LOC (10) Cl.** **09-01**

(52) **U.S. Cl.**
USPC **D9/500**

(58) **Field of Classification Search**
USPC D9/500, 502-505, 516, 520, 530,
D9/537-545, 548-550, 558, 715, 719;
D24/197; 215/11.1, 379, 381-384;
220/660, 669, 675
CPC B65D 1/00; B65D 1/02; B65D 1/0223;
B65D 23/00; B65D 23/001; B65D 83/00;
B65D 91/00; B65D 91/02; B65D 2501/00;
B65D 2501/0009

See application file for complete search history.

(56) **References Cited**

U.S. PATENT DOCUMENTS

D132,052 S *	4/1942	Trees	D9/500
D178,919 S *	10/1956	Grebowiec	D9/500
D213,290 S *	2/1969	Fuerst	D9/500
3,935,955 A *	2/1976	Das	215/375
D280,486 S *	9/1985	Reay	D9/500
D402,893 S *	12/1998	Monaghan	D9/500

D471,815 S *	3/2003	Gnann et al.	D9/503
D472,473 S *	4/2003	Wechsler	D9/551
D522,871 S *	6/2006	Rowse et al.	D9/539
D548,083 S *	8/2007	Bourne	D9/502
D561,595 S *	2/2008	Le Bras-Brown et al.	D9/537
D654,362 S *	2/2012	Weber-Trinkfass et al.	...	D9/503
D664,852 S *	8/2012	Weber-Trinkfass et al.	...	D9/503
D718,635 S *	12/2014	Fleischhacker et al.	D9/539
D721,586 S *	1/2015	Sharpe et al.	D9/500

FOREIGN PATENT DOCUMENTS

CN	301065737	*	11/2009
WO	DM/076907	*	10/2011

* cited by examiner

Primary Examiner — Dana L Meyrow

(74) *Attorney, Agent, or Firm* — Mario A. Tabone; Plastipak Packaging, Inc.

(57) **CLAIM**

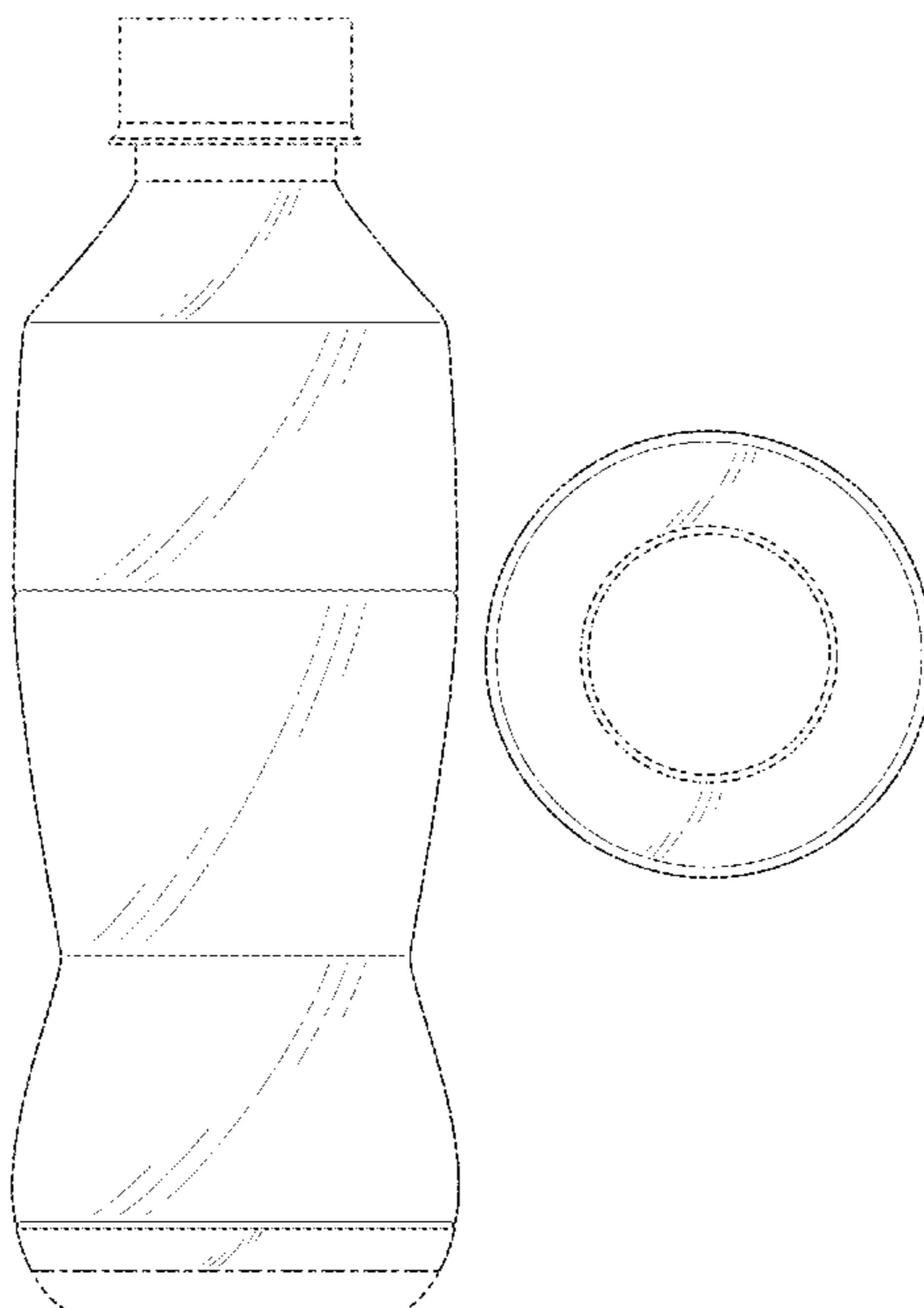
The ornamental design for a container body portion, as shown and described.

DESCRIPTION

FIG. 1 is a top, front, left perspective view of a container body portion showing my new design;
FIG. 2 is a front elevational view of FIG. 1;
FIG. 3 is a rear elevational view of FIG. 1;
FIG. 4 is a right side elevational view of FIG. 1;
FIG. 5 is a left side elevational view of FIG. 1;
FIG. 6 is a top plan view of FIG. 1; and,
FIG. 7 is a bottom plan view of FIG. 1.

The evenly dashed broken lines in the drawings illustrate the portions of the design that form no part of the claim. The dot-dash broken lines in the drawings define the bounds of the claim and form no part thereof.

1 Claim, 6 Drawing Sheets



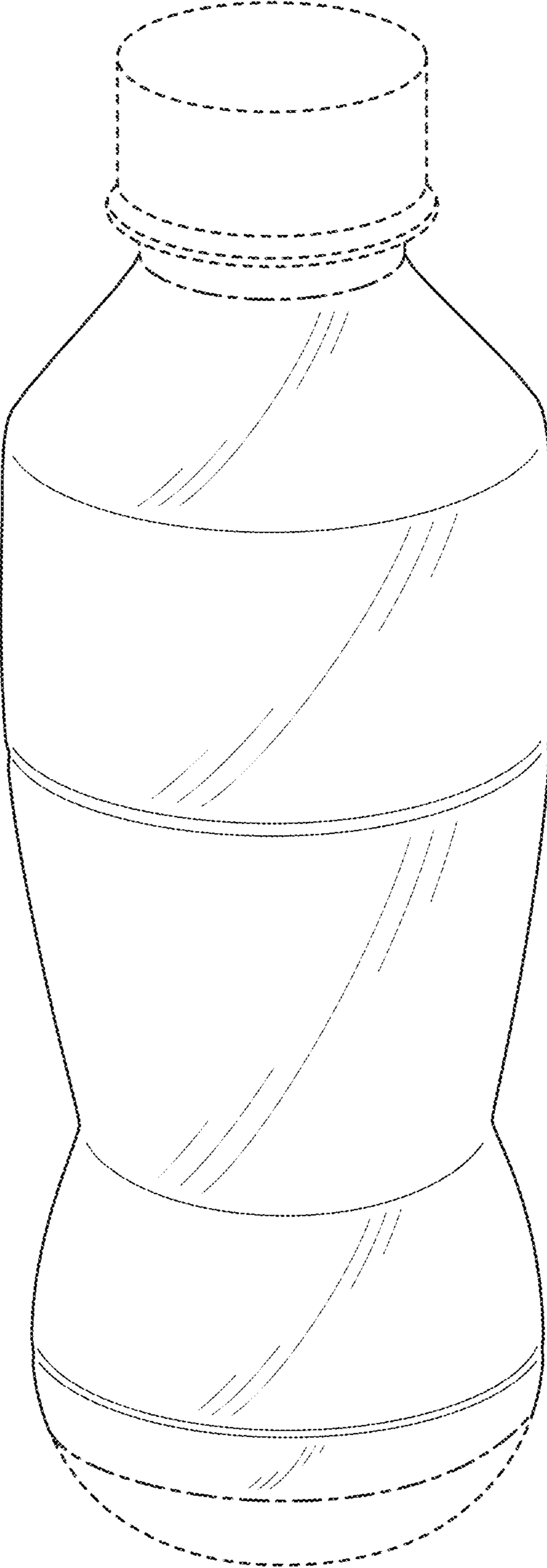


FIG. 1

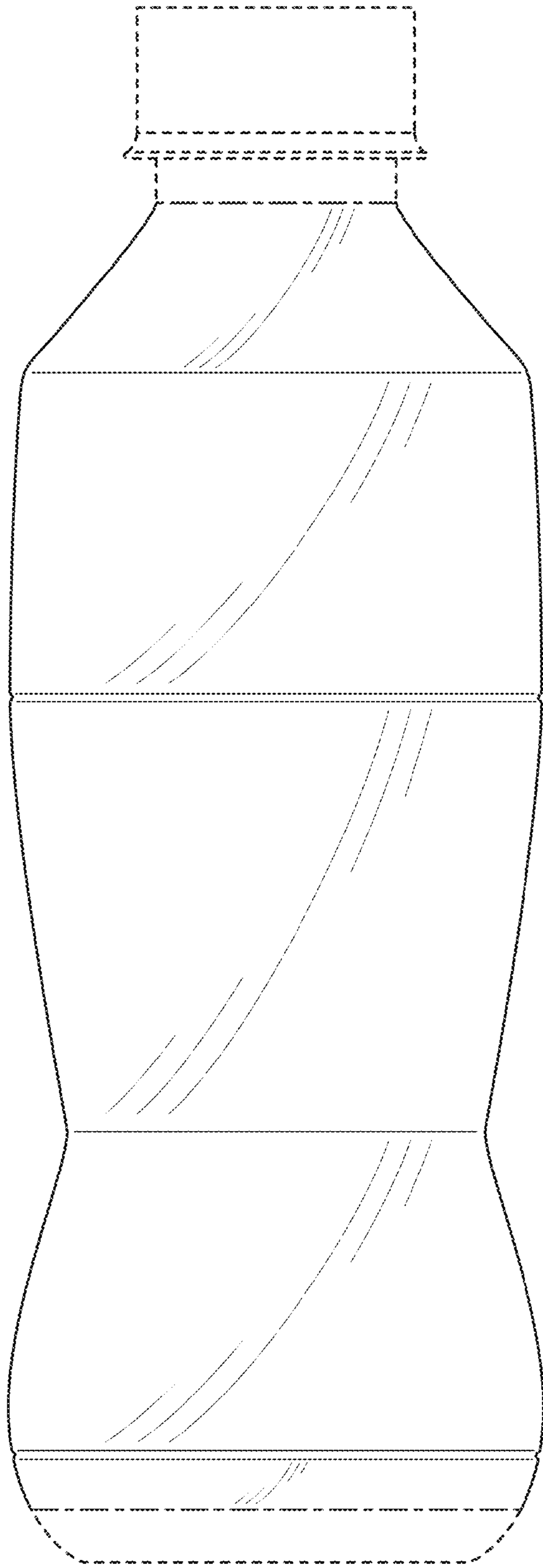


FIG. 2

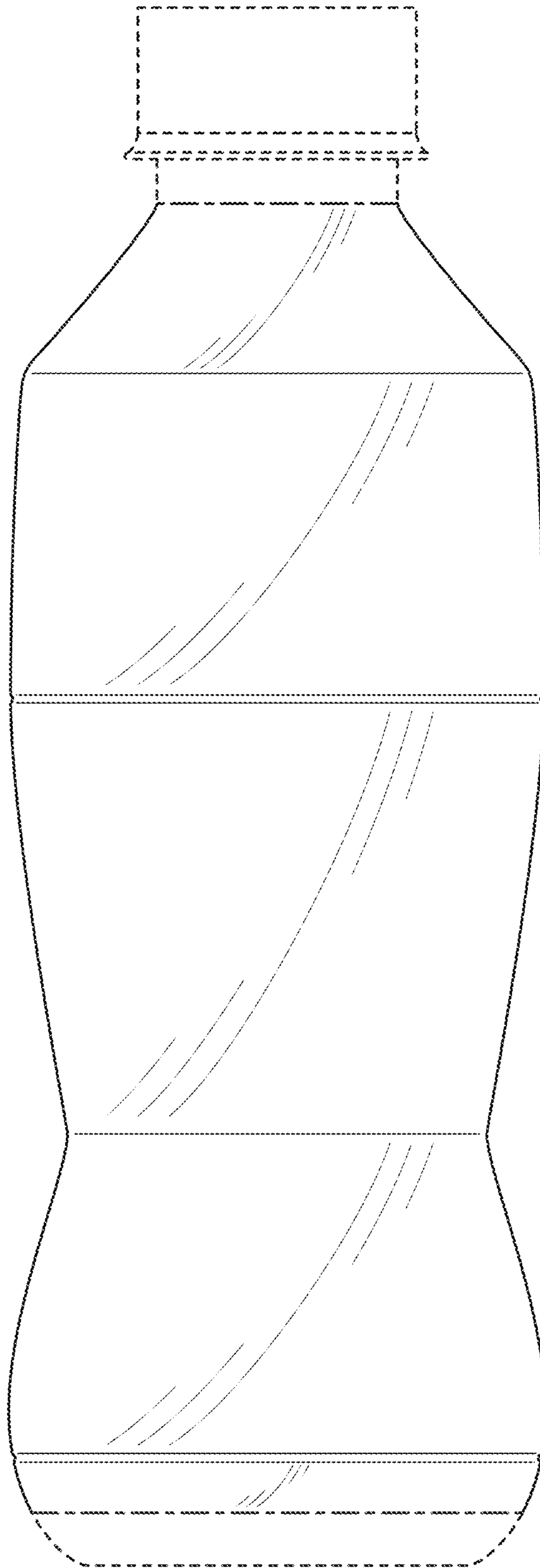


FIG. 3

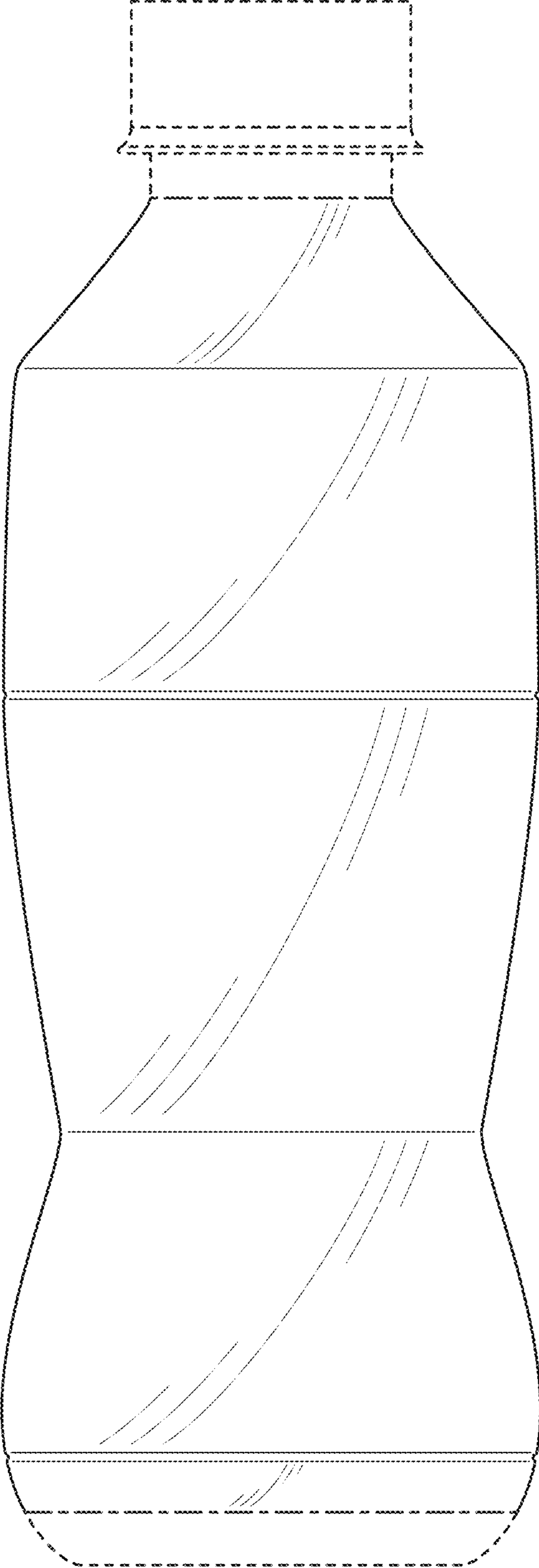


FIG. 4

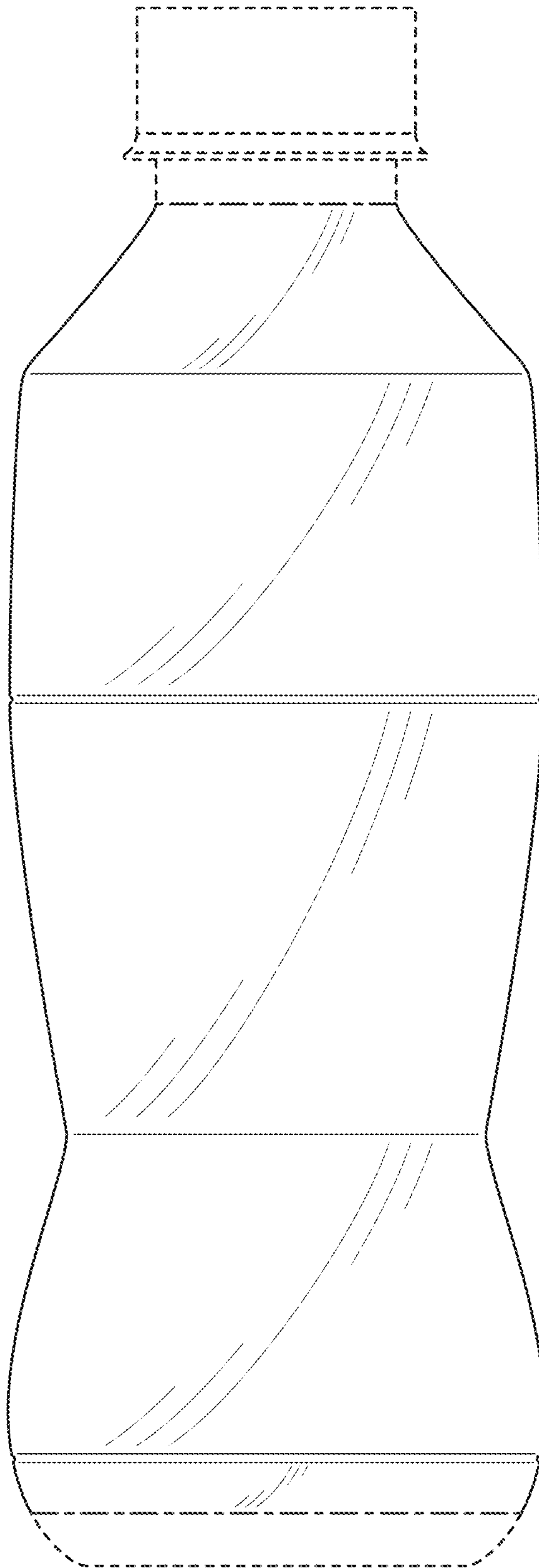


FIG. 5

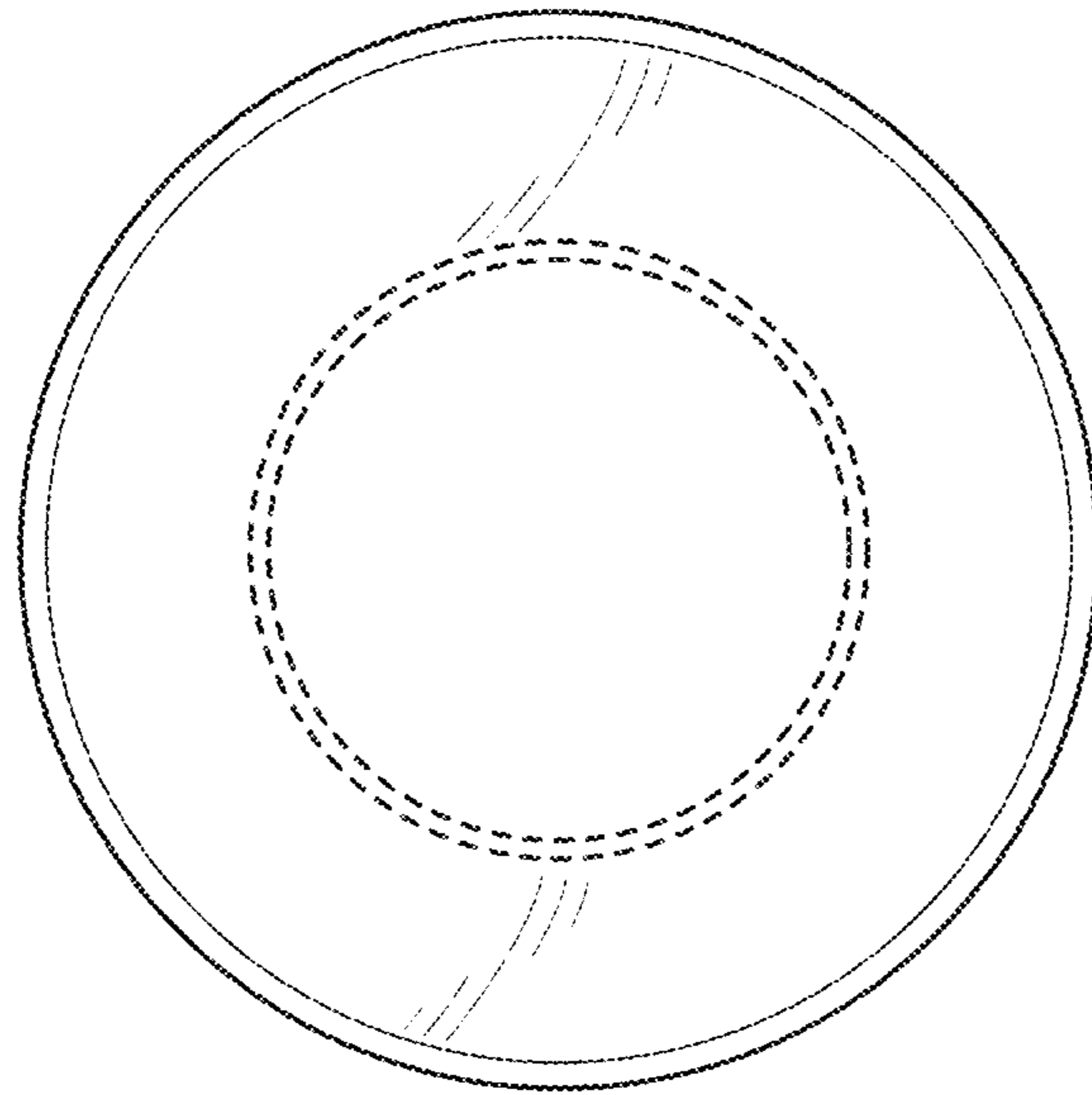


FIG. 6

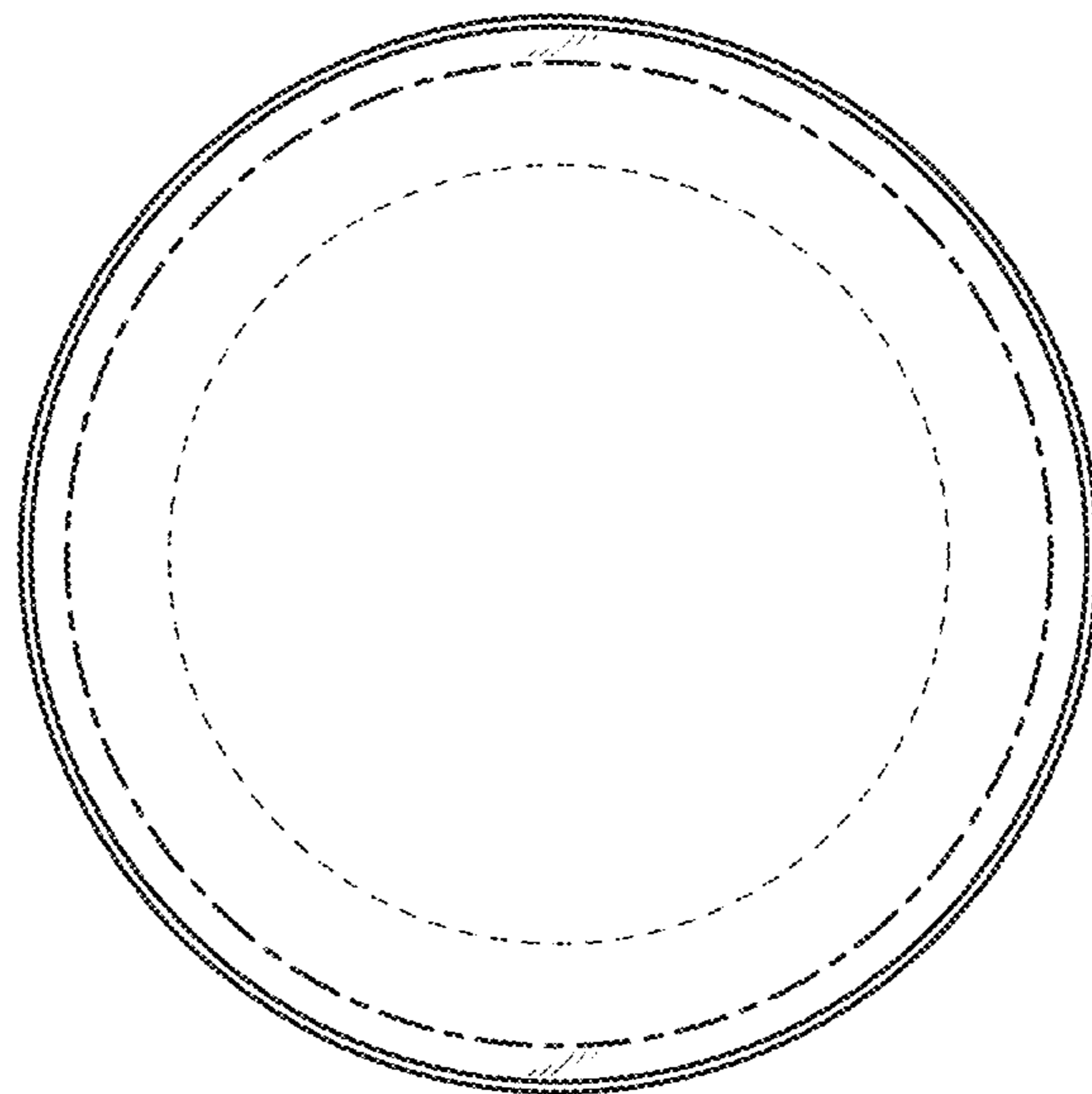


FIG. 7