



US00D739735S

(12) **United States Design Patent**  
**Darling et al.**

(10) **Patent No.:** **US D739,735 S**

(45) **Date of Patent:** **\*\* Sep. 29, 2015**

(54) **BABY FOOD CONTAINER**

(56)

**References Cited**

(71) Applicant: **Beech-Nut Nutrition Company**,  
Amsterdam, NY (US)

U.S. PATENT DOCUMENTS

(72) Inventors: **Christopher Darling**, Amsterdam, NY  
(US); **Robert Harvey**, Amsterdam, NY  
(US); **Jodi Breuer**, Amsterdam, NY  
(US); **Brody Boyer**, Chicago, IL (US);  
**Kelly Frazier**, Chicago, IL (US); **Eric**  
**Staples**, Chicago, IL (US); **Michelle**  
**Hayward**, Chicago, IL (US); **Nancy**  
**Mines**, Chicago, IL (US)

730,510	A	*	6/1903	Beach	.....	215/43
D111,313	S	*	9/1938	Titze	.....	D7/597
D117,843	S	*	11/1939	Smith	.....	D9/502
D166,116	S	*	3/1952	Menefee, Jr.	.....	D9/502
2,717,727	A	*	9/1955	Robb	.....	222/512
D194,944	S	*	4/1963	Frazier, Jr.	.....	D26/11
D223,996	S	*	6/1972	Courreges	.....	D9/503
D289,259	S	*	4/1987	Strand	.....	D9/501
D298,592	S	*	11/1988	Stoop	.....	D9/500
5,165,965	A	*	11/1992	Martin	.....	427/256
D516,429	S	*	3/2006	Helps et al.	.....	D9/503
D619,460	S	*	7/2010	Beckerman	.....	D9/500
D644,938	S	*	9/2011	Saunders et al.	.....	D9/716
D646,572	S	*	10/2011	Koeleman	.....	D9/500
D674,238	S	*	1/2013	Zimmer	.....	D7/396.2
D717,116	S	*	11/2014	Aslan	.....	D7/523
D719,448	S	*	12/2014	Pires et al.	.....	D9/504
D719,463	S	*	12/2014	Pires et al.	.....	D9/691

(73) Assignee: **Beech-Nut Nutrition Company**,  
Amsterdam, NY (US)

(\*\*) Term: **14 Years**

\* cited by examiner

(21) Appl. No.: **29/484,160**

*Primary Examiner* — Dana L Meyrow

(22) Filed: **Mar. 6, 2014**

(74) *Attorney, Agent, or Firm* — Phillips Lytle LLP

(51) **LOC (10) Cl.** ..... **09-01**

(57) **CLAIM**

The ornamental design for a baby food container, as shown and described.

(52) **U.S. Cl.**

**DESCRIPTION**

USPC ..... **D9/500**

(58) **Field of Classification Search**

USPC ..... D9/500, 503–505, 516, 530, 537, 539,  
D9/549, 558, 715, 719, 434–435, 454;  
D7/601–602, 629–630; D24/197

CPC ..... B65D 1/00; B65D 1/02; B65D 1/0207;  
B65D 1/0223; B65D 1/10; B65D 23/00;  
B65D 2501/00; B65D 2501/0009

FIG. 1 is a front perspective view of a baby food container showing the new design.

FIG. 2 is an upper perspective view thereof.

FIG. 3 is a lower perspective view thereof.

FIG. 4 is a front elevation view thereof, the rear elevation view being identical.

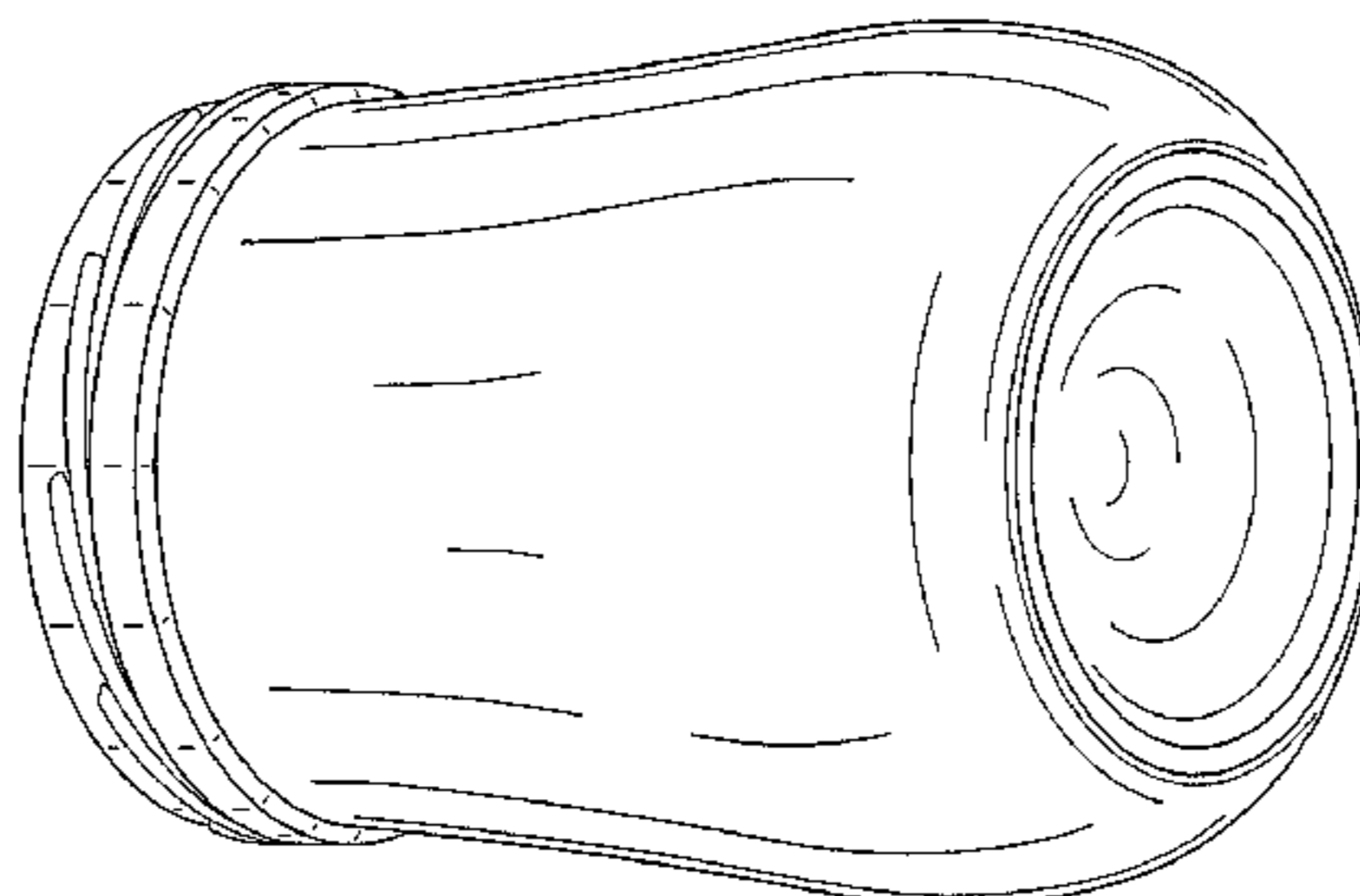
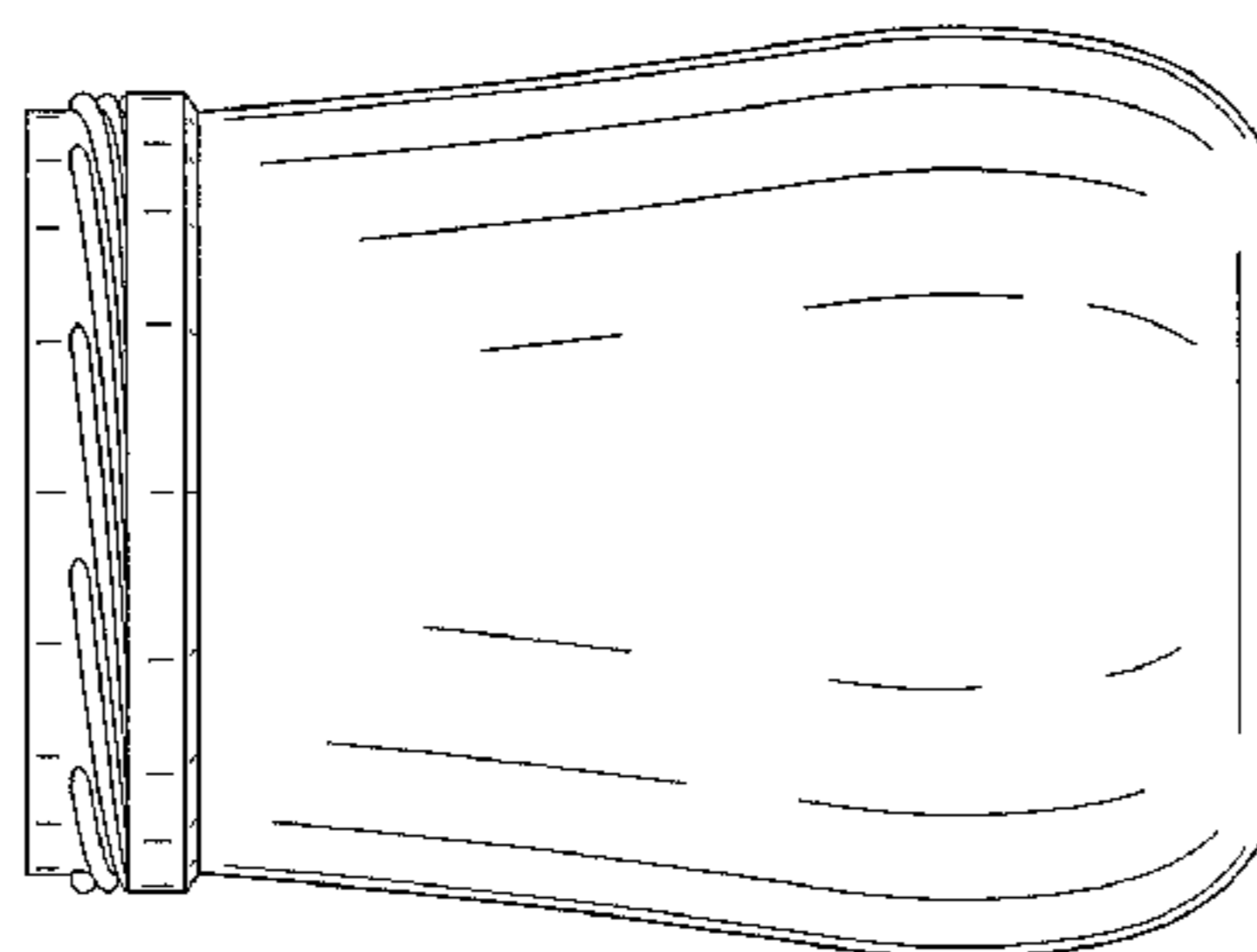
FIG. 5 is a top plan view thereof.

FIG. 6 is a bottom plan view thereof; and,

FIG. 7 is an overhead perspective view thereof.

See application file for complete search history.

**1 Claim, 3 Drawing Sheets**



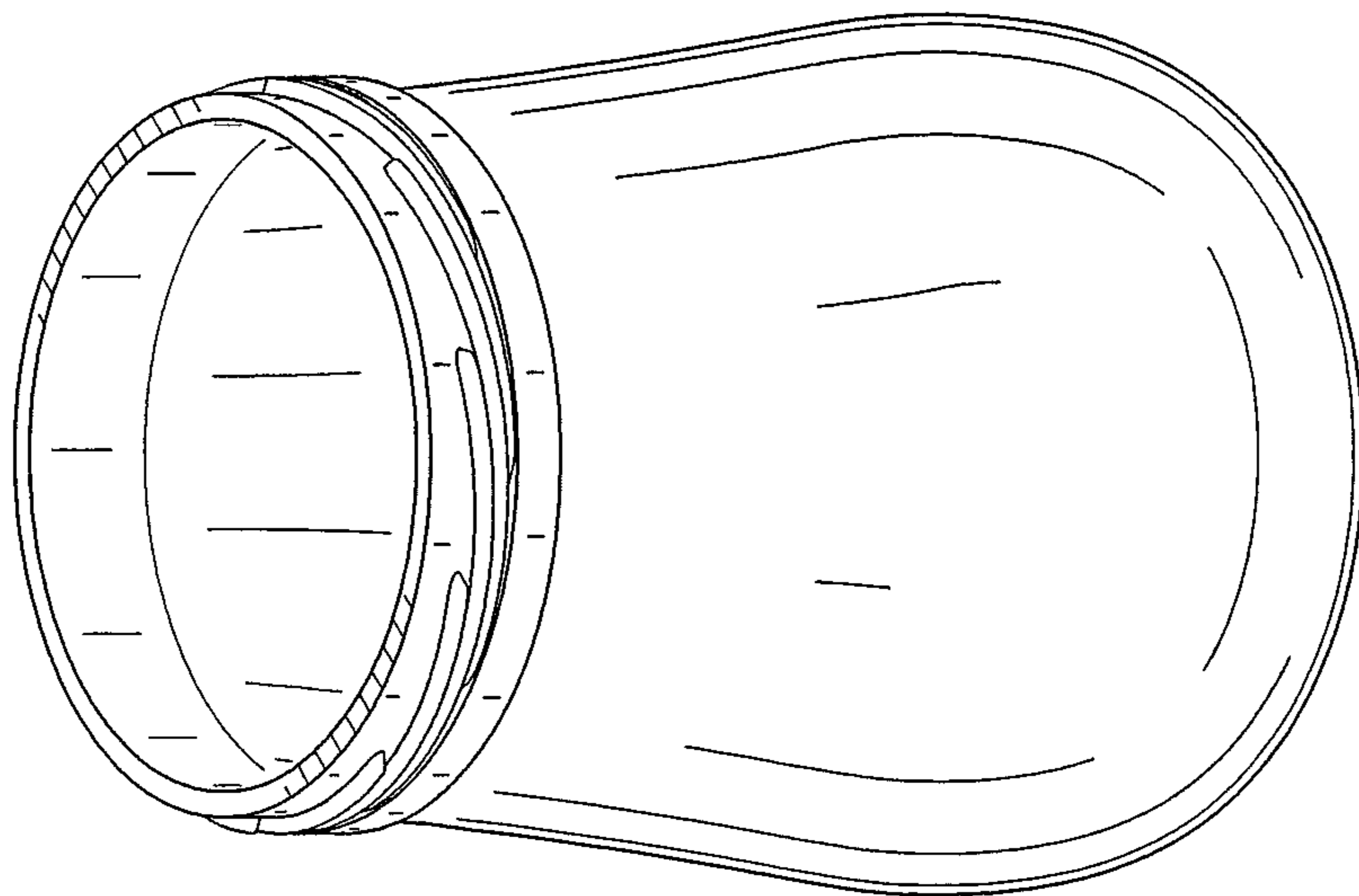


FIG. 1

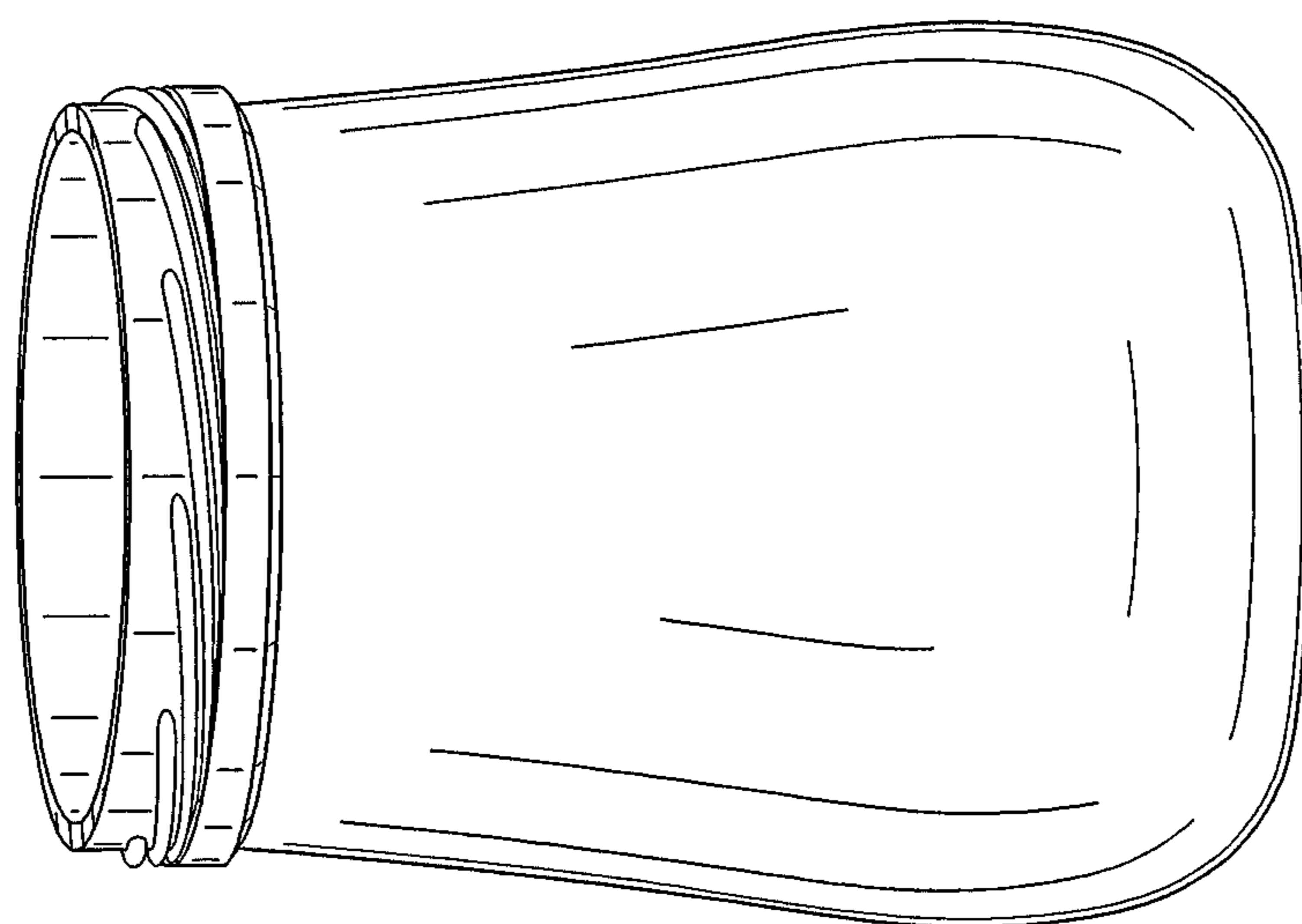


FIG. 2

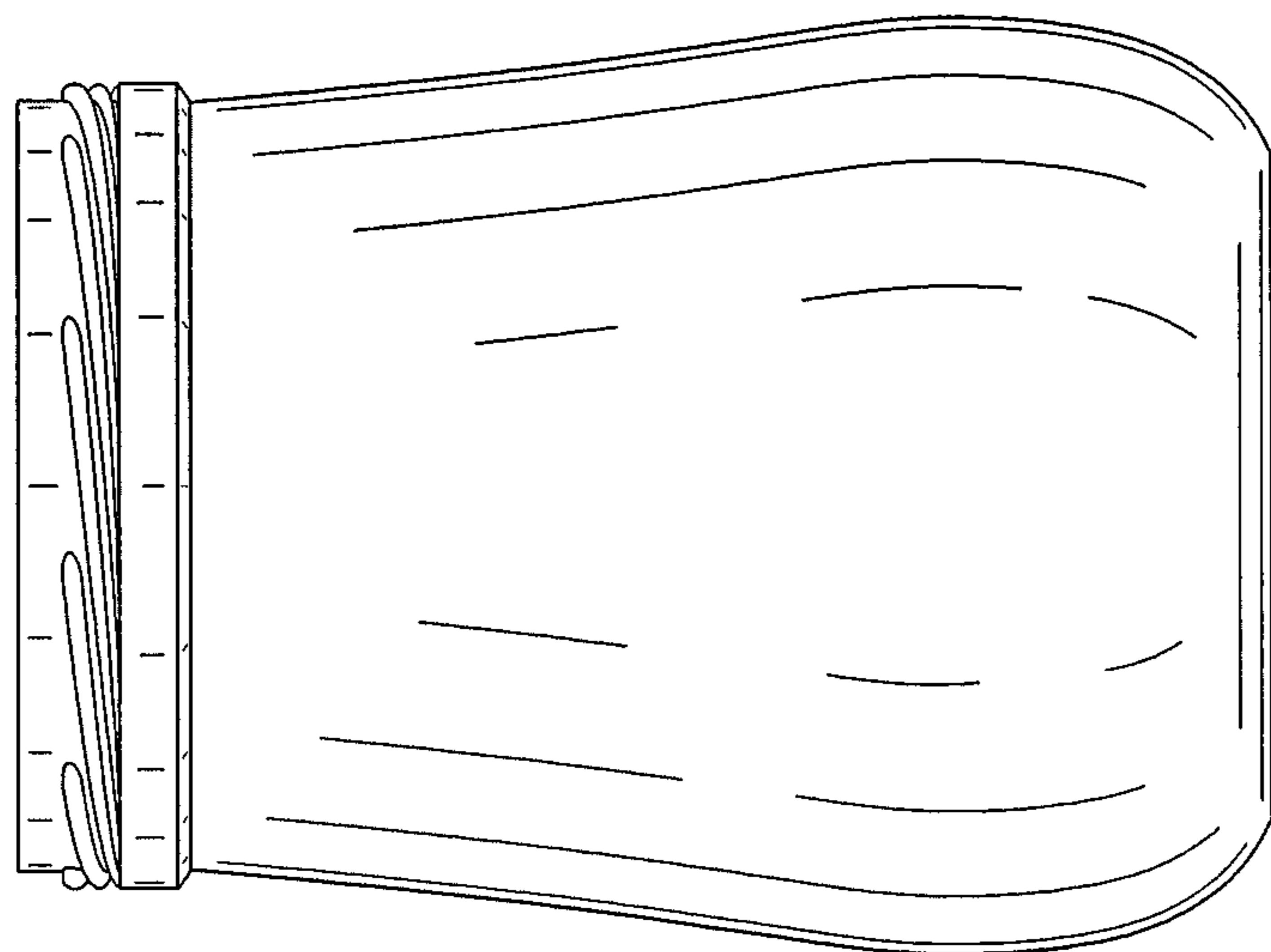


FIG. 4

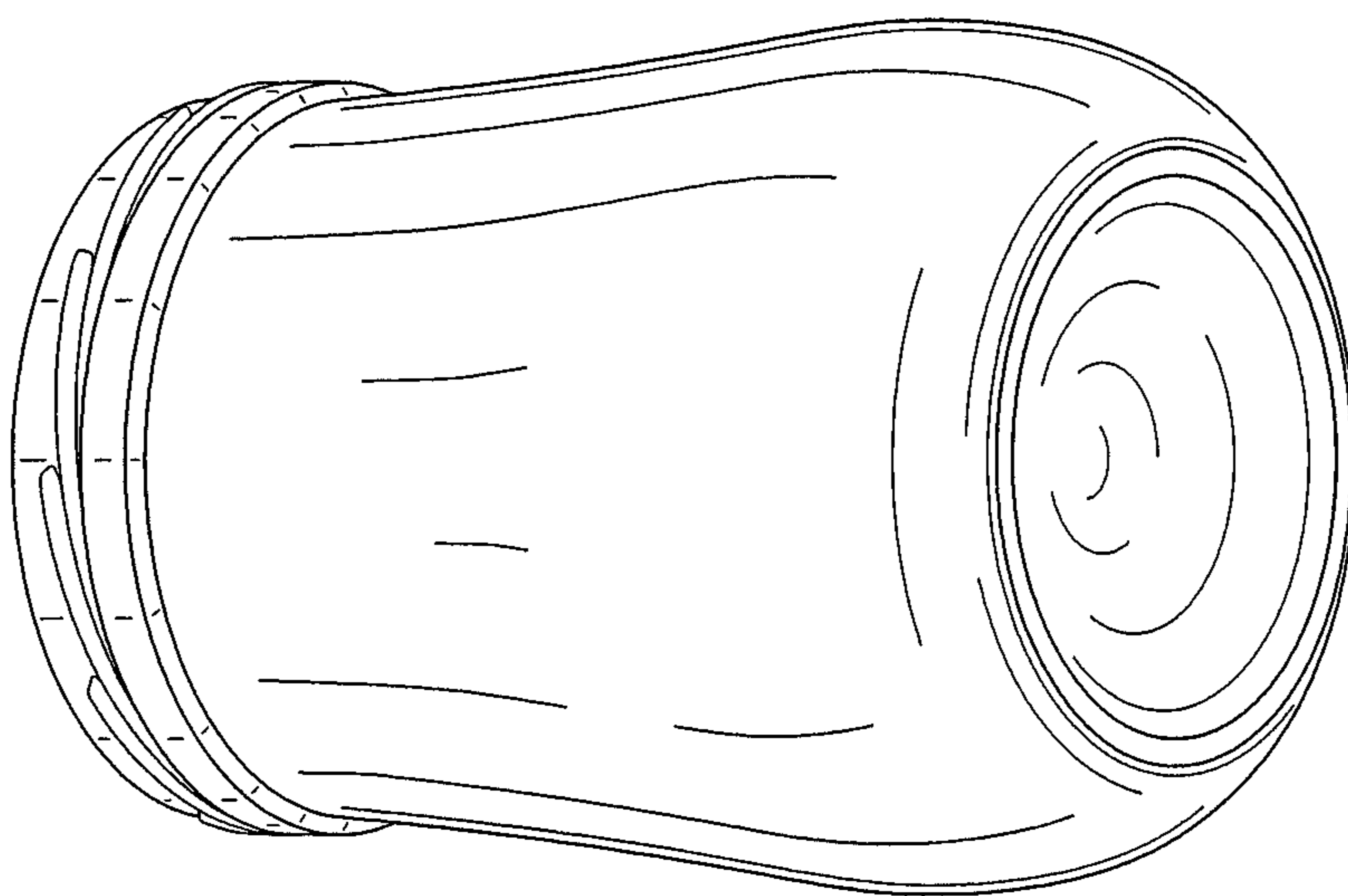


FIG. 3

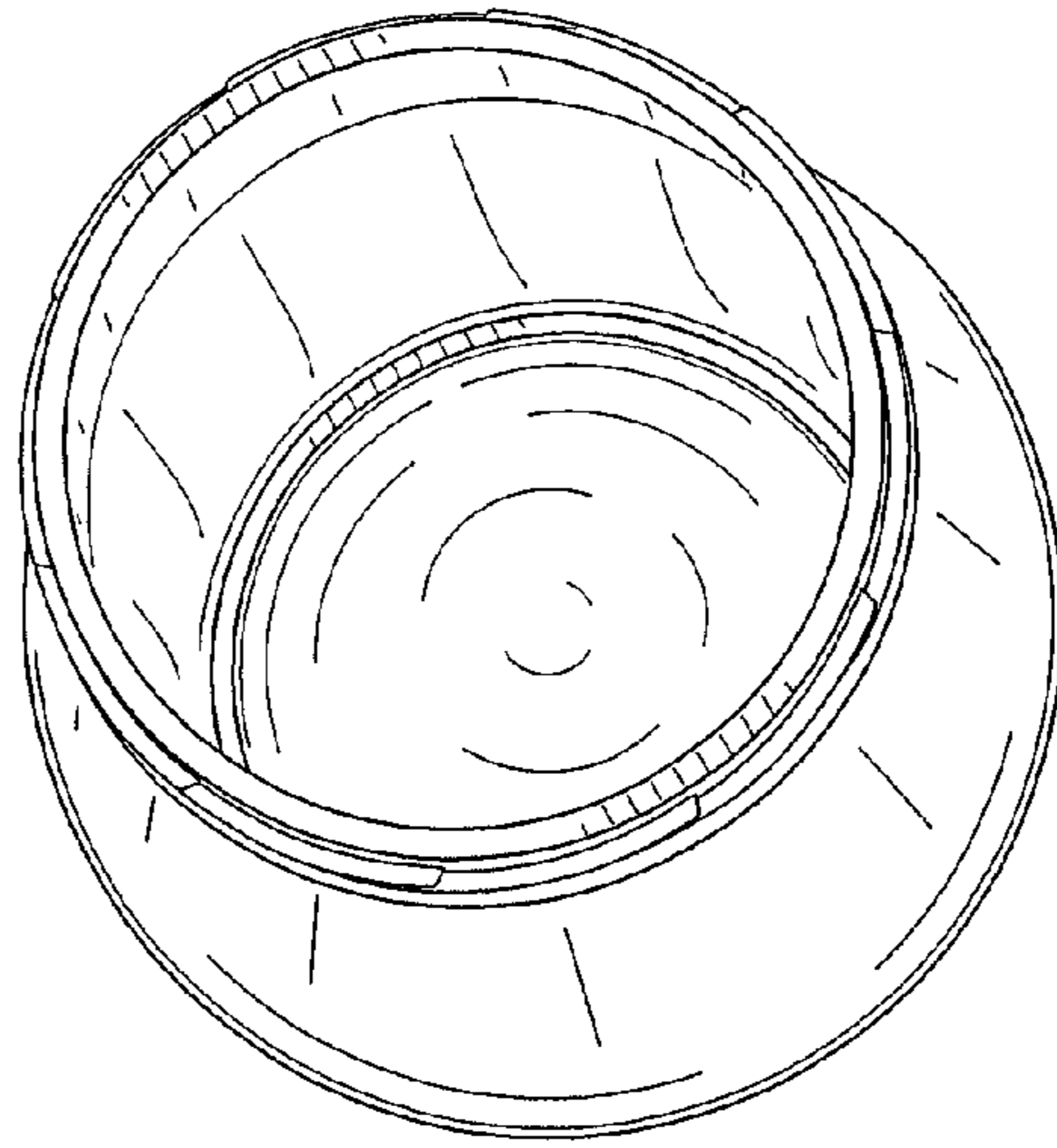


FIG. 7

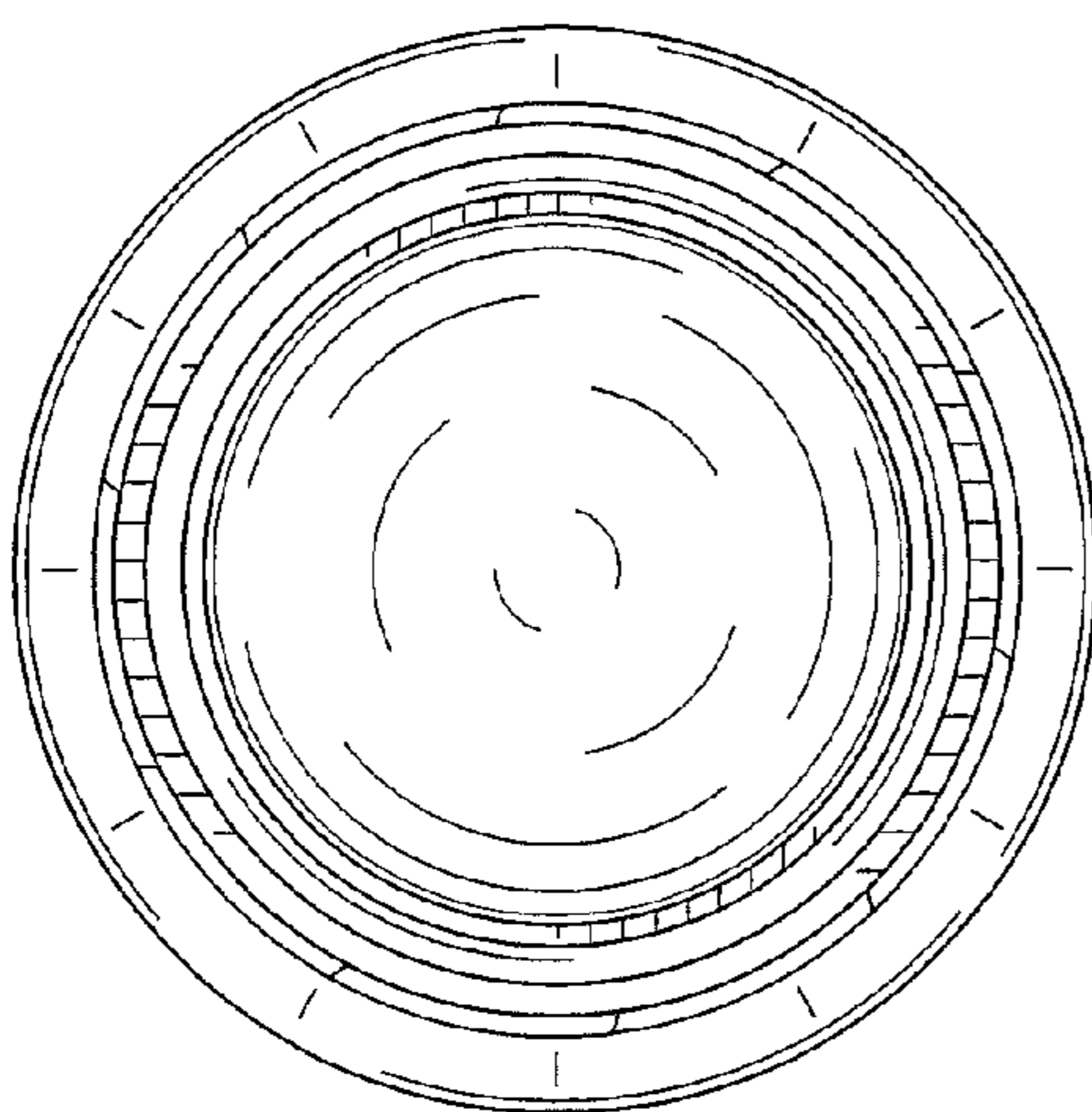


FIG. 5

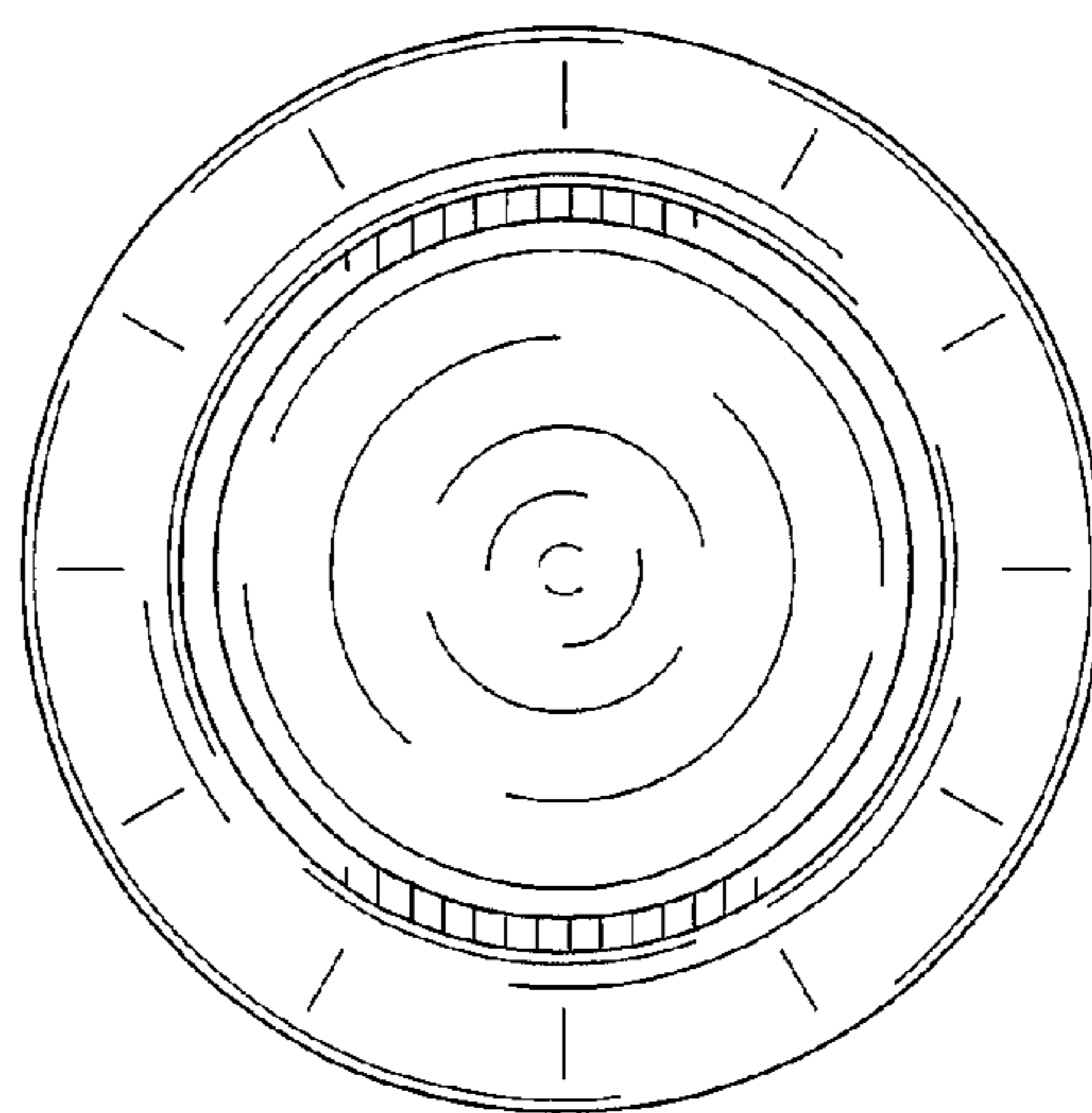


FIG. 6