



US00D739729S

(12) **United States Design Patent**
Brannock

(10) **Patent No.:** **US D739,729 S**

(45) **Date of Patent:** **** Sep. 29, 2015**

(54) **LID FOR BEVERAGE CONTAINER**

2,661,889 A 12/1953 Phinney
2,753,049 A 7/1956 Gaines
3,090,542 A 5/1963 Miller

(71) Applicant: **Samuel Lincoln Brannock**, San Juan
Capistrano, CA (US)

(Continued)

(72) Inventor: **Samuel Lincoln Brannock**, San Juan
Capistrano, CA (US)

FOREIGN PATENT DOCUMENTS

(73) Assignee: **Harl-Bella Holdings, LLC**, San Juan
Capistrano, CA (US)

AU 2007100927 A4 11/2007
CA 1236426 5/1988

(Continued)

(**) Term: **14 Years**

OTHER PUBLICATIONS

(21) Appl. No.: **29/467,499**

<http://www.singleservecoffee.com/archives/040040.php>, Ecotop
Reusable Coffee Cup Lid, May 15, 2012.

(22) Filed: **Sep. 19, 2013**

(Continued)

Related U.S. Application Data

Primary Examiner — Robert M Spear

Assistant Examiner — Marissa J Cash

(63) Continuation-in-part of application No. 13/962,878,
filed on Aug. 8, 2013, now Pat. No. 8,881,938.

(74) *Attorney, Agent, or Firm* — Fish & Tsang LLP

(51) **LOC (10) Cl.** **09-07**

(57) **CLAIM**

I claim the ornamental design for a lid for beverage container,
as shown and described.

(52) **U.S. Cl.**

USPC **D9/447**

DESCRIPTION

(58) **Field of Classification Search**

USPC D6/452-545; D7/300, 321, 392.1,
D7/396.2, 500, 507, 509, 510, 511, 900;
D9/434-448, 452-455, 682, 685, 694;
215/200, 235, 236, 252, 254, 329,
215/355-364; 220/203.04-203.07, 220,
220/254.1, 254.4, 556, 703, 704, 705

See application file for complete search history.

FIG. 1 is a rear, top, left side, perspective view of a lid for a
beverage container.

FIG. 2 is a front elevation view of the lid in FIG. 1.

FIG. 3 is a rear elevation view of the lid in FIG. 1.

FIG. 4 is a right side elevation view of the lid in FIG. 1, the left
side elevation view being a mirror image.

FIG. 5 is a top plan view of the lid in FIG. 1.

FIG. 6 is a bottom plan view of the lid in FIG. 1; and,

FIG. 7 is a cross-sectional view taken along line 7-7 of FIG. 2,
shown at an enlarged scale.

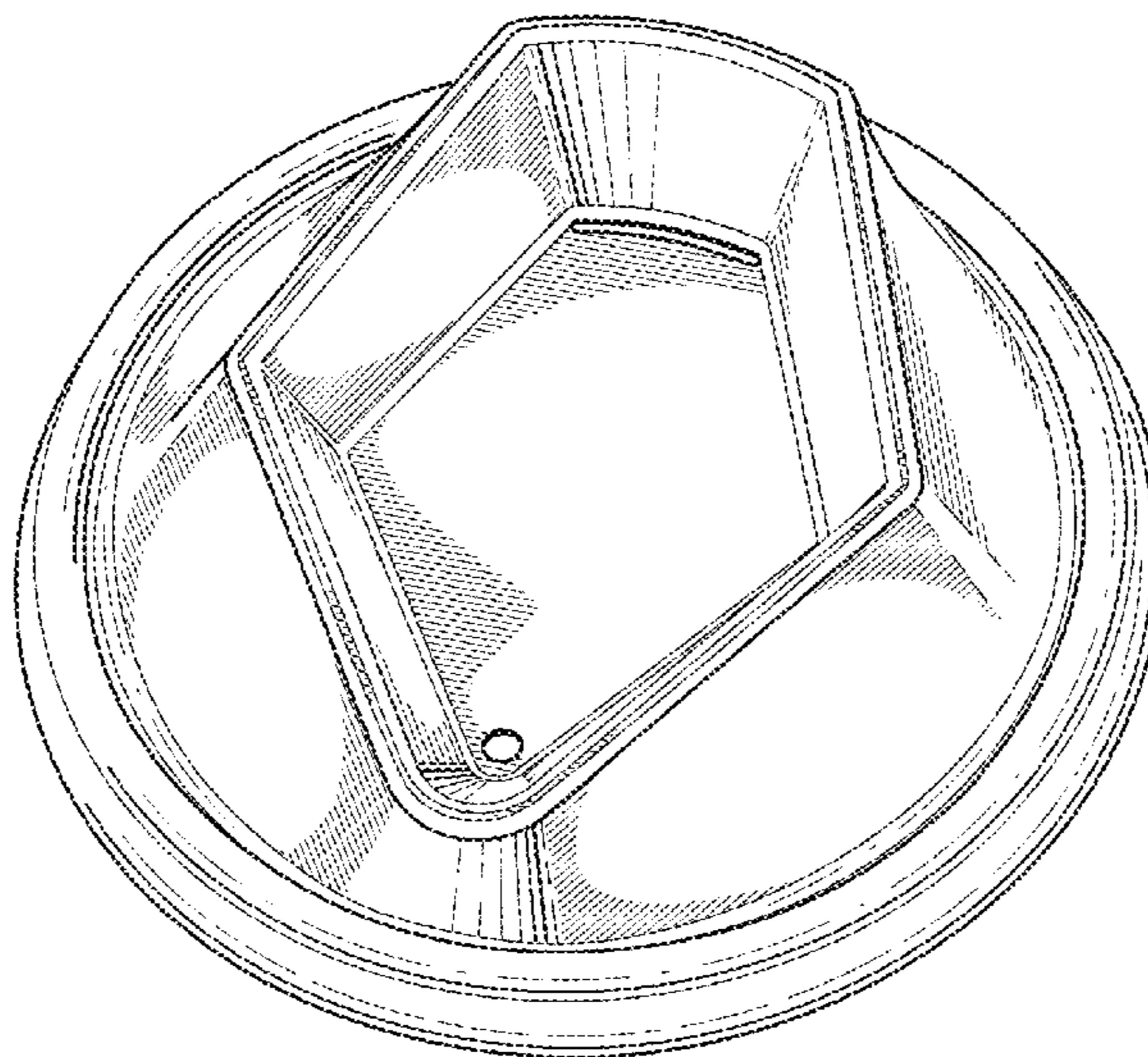
The dominant features of my design reside in the lid's basin,
which comprises a valley surrounded by angled walls. The
basin ridge slopes downward from the front to the rear of the
basin.

(56) **References Cited**

U.S. PATENT DOCUMENTS

562,440 A 6/1896 Vanderall
2,003,657 A 6/1935 Stubblefield
2,600,478 A 6/1952 Campomar
2,646,670 A 7/1953 Spalding

1 Claim, 3 Drawing Sheets



(56)

References Cited

U.S. PATENT DOCUMENTS

| | | | | | |
|--------------|---------|---------------------|--------------|---------|----------------------------|
| 3,302,858 A | 2/1967 | Miller | 5,431,276 A | 7/1995 | Lialin |
| 3,341,062 A | 9/1967 | Phillips | D362,156 S | 9/1995 | Goto |
| 3,727,808 A | 4/1973 | Fitzgerald | D365,247 S | 12/1995 | Sokolski |
| 3,730,399 A | 5/1973 | Dibrell | 5,490,609 A | 2/1996 | Lane |
| 3,777,968 A | 12/1973 | Law | D369,109 S | 4/1996 | Proshan |
| 3,800,999 A | 4/1974 | Serritella | 5,503,289 A | 4/1996 | Fox |
| 3,806,023 A | 4/1974 | Barnett | 5,540,350 A | 7/1996 | Lansky |
| 3,860,162 A | 1/1975 | Schutz | D373,927 S | 9/1996 | Kramer |
| 3,868,043 A | 2/1975 | Freemyer | 5,613,619 A | 3/1997 | Van Melle |
| 3,895,743 A | 7/1975 | Christian | D382,203 S | 8/1997 | Fonville |
| 3,920,146 A | 11/1975 | Baller | 5,699,927 A | 12/1997 | Lane |
| 3,938,695 A | 2/1976 | Ruff | 5,706,972 A | 1/1998 | Sousa |
| 3,977,559 A | 8/1976 | Lombardi | D390,465 S | 2/1998 | Frye |
| 3,977,562 A | 8/1976 | Wedzik | 5,799,814 A | 9/1998 | Schaefer |
| 3,994,411 A | 11/1976 | Elfelt | 5,820,016 A | 10/1998 | Stropkay |
| 4,056,210 A | 11/1977 | Boyle | 5,839,601 A | 11/1998 | Van Melle |
| 4,081,103 A | 3/1978 | Zoellick | 5,897,019 A | 4/1999 | Stropkay |
| 4,085,861 A | 4/1978 | Ruff | 5,911,331 A | 6/1999 | Boller |
| 4,090,660 A | 5/1978 | Schram | 5,947,323 A | 9/1999 | Freek |
| 4,106,660 A | 8/1978 | Boyle | 5,979,689 A | 11/1999 | Lansky |
| D249,646 S * | 9/1978 | Ritter D9/447 | 6,076,450 A | 6/2000 | DiGiorgio, Jr. |
| 4,113,135 A | 9/1978 | Yamazaki | 6,089,397 A | 7/2000 | Van Melle |
| 4,138,033 A | 2/1979 | Payne | 6,102,236 A | 8/2000 | Ohlsson |
| 4,141,462 A | 2/1979 | Rucci | 6,138,854 A | 10/2000 | Kaneko |
| 4,183,443 A | 1/1980 | DeParales | 6,199,711 B1 | 3/2001 | Lansky |
| 4,184,604 A | 1/1980 | Amberg | D447,412 S | 9/2001 | Durdon |
| 4,202,459 A | 5/1980 | DeParales | D450,583 S | 11/2001 | Freed |
| 4,210,272 A | 7/1980 | Sequin | 6,311,863 B1 | 11/2001 | Fleming |
| 4,215,793 A | 8/1980 | Packard | 6,375,033 B1 | 4/2002 | Fleming |
| D256,887 S | 9/1980 | Swade | 6,378,718 B1 | 4/2002 | Maggi |
| D256,888 S | 9/1980 | Swade | 6,419,105 B1 | 7/2002 | Bruce |
| D256,889 S | 9/1980 | Swade | 6,419,112 B1 | 7/2002 | Bruce |
| 4,245,752 A | 1/1981 | Prueher | 6,488,170 B1 | 12/2002 | Johnson |
| 4,253,582 A | 3/1981 | Shields | 6,505,753 B1 | 1/2003 | Freek |
| D259,403 S | 6/1981 | Frazier, Jr. | D470,008 S | 2/2003 | Trombly |
| 4,285,442 A | 8/1981 | Wedzik | D473,791 S | 4/2003 | Loris |
| 4,319,691 A | 3/1982 | Hament | 6,553,696 B1 | 4/2003 | Foster, Sr. |
| 4,322,014 A | 3/1982 | Philip | 6,612,456 B1 | 9/2003 | Hundley |
| 4,322,015 A | 3/1982 | Bailey | D493,718 S | 8/2004 | Durdon |
| 4,331,255 A | 5/1982 | Fournier | 6,783,019 B2 | 8/2004 | Zettle |
| 4,350,260 A | 9/1982 | Prueher | 6,889,859 B1 | 5/2005 | Leon |
| 4,361,249 A | 11/1982 | Tuneski | 6,889,860 B2 | 5/2005 | Mazzarolo |
| D267,633 S | 1/1983 | Christian | 6,929,143 B2 | 8/2005 | Mazzarolo |
| 4,412,629 A | 11/1983 | Dart | 6,948,633 B2 | 9/2005 | Freek |
| D271,857 S | 12/1983 | Callahan | D510,266 S * | 10/2005 | Walsh et al. D9/447 |
| D274,502 S | 7/1984 | Little | D515,419 S * | 2/2006 | Manke D9/447 |
| 4,473,167 A | 9/1984 | Bailey | D525,826 S | 8/2006 | Kugler |
| 4,489,848 A | 12/1984 | Braude | D527,219 S | 8/2006 | Trombly |
| 4,502,608 A | 3/1985 | Mills | 7,100,790 B2 | 9/2006 | Dark |
| 4,503,992 A | 3/1985 | Sitko | 7,134,569 B2 | 11/2006 | Freek |
| 4,518,096 A | 5/1985 | Winstead | 7,134,570 B1 | 11/2006 | Heath |
| 4,566,605 A | 1/1986 | Rogers | D533,778 S | 12/2006 | Hollis |
| 4,574,970 A | 3/1986 | Schwarz | 7,168,589 B2 | 1/2007 | Dark |
| 4,582,214 A | 4/1986 | Dart | D536,923 S * | 2/2007 | Roth et al. D7/392.1 |
| 4,619,372 A | 10/1986 | McFarland | D539,646 S | 4/2007 | Hollis |
| 4,627,537 A | 12/1986 | Rogers | D540,165 S | 4/2007 | Hollis |
| 4,670,352 A | 6/1987 | Kurz | D540,166 S | 4/2007 | Hollis |
| 4,738,373 A | 4/1988 | DeParales | D540,672 S | 4/2007 | Hollis |
| 4,747,509 A | 5/1988 | Florkiewicz | D540,673 S | 4/2007 | Hollis |
| 4,753,365 A | 6/1988 | Seppala | D540,674 S | 4/2007 | Hollis |
| 4,760,934 A | 8/1988 | Netsch | D540,675 S | 4/2007 | Hollis |
| D299,010 S | 12/1988 | Wall | D541,153 S | 4/2007 | Hollis |
| 4,818,461 A | 4/1989 | Batson | D541,650 S | 5/2007 | Hollis |
| 4,828,137 A | 5/1989 | Batson | D541,651 S | 5/2007 | Hollis |
| 4,877,391 A | 10/1989 | Batson | D544,793 S | 6/2007 | Hollis |
| 4,898,299 A | 2/1990 | Herbst | 7,275,652 B2 | 10/2007 | Morris |
| 4,949,865 A | 8/1990 | Turner | D556,573 S | 12/2007 | Hollis |
| 4,986,437 A | 1/1991 | Farmer | D556,574 S | 12/2007 | Hollis |
| 5,090,584 A | 2/1992 | Roberts | D563,167 S * | 3/2008 | Snedden et al. D7/505 |
| 5,143,248 A | 9/1992 | Sawatsky | D570,213 S | 6/2008 | Newman |
| 5,150,816 A | 9/1992 | DeCastro | D570,685 S | 6/2008 | Koennecke |
| 5,197,624 A | 3/1993 | Dodaro | D570,686 S | 6/2008 | Hollis |
| D355,846 S | 2/1995 | Denney | 7,484,638 B2 | 2/2009 | Mazzarolo |
| 5,390,810 A | 2/1995 | Stroble | D595,572 S * | 7/2009 | Snedden et al. D9/435 |
| 5,392,949 A | 2/1995 | McKenna | D612,237 S | 3/2010 | Richey |
| | | | D612,687 S | 3/2010 | Gilbert |
| | | | D615,413 S | 5/2010 | Gilbert |
| | | | D622,103 S | 8/2010 | Gilbert |
| | | | D627,192 S | 11/2010 | Gilbert |

(56)

References Cited

U.S. PATENT DOCUMENTS

D632,174 S 2/2011 Charbonnet
 7,954,659 B2 6/2011 Zuares
 7,959,028 B2 6/2011 Leon
 8,113,379 B2 2/2012 Cai
 D661,186 S * 6/2012 Snyder D9/436
 8,272,318 B2 9/2012 Skalski
 D689,771 S * 9/2013 Berggren D9/454
 D704,054 S 5/2014 Fleming
 D704,055 S 5/2014 Fleming
 D708,515 S * 7/2014 Fleming D9/435
 2002/0074337 A1 6/2002 Melton
 2002/0100757 A1 8/2002 Shih
 2003/0089713 A1 5/2003 Belt
 2003/0089714 A1 5/2003 Dart
 2003/0168455 A1 9/2003 Zettle
 2004/0195239 A1 10/2004 Rush
 2005/0224495 A1 10/2005 Kartinian
 2007/0012709 A1 1/2007 Durdon
 2007/0045316 A1 3/2007 Arnljots
 2007/0075079 A1 4/2007 Stokes
 2007/0075081 A1 4/2007 Stokes
 2007/0114236 A1 5/2007 Shiffer
 2007/0251948 A1 11/2007 Baker
 2008/0000921 A1 1/2008 Leon
 2008/0041862 A1 2/2008 Bal
 2008/0047966 A1 2/2008 Carson
 2008/0061069 A1 3/2008 Edelstein
 2008/0105696 A1 5/2008 Dart
 2008/0217345 A1 9/2008 Hansen
 2009/0026219 A1 1/2009 Bal
 2009/0250479 A1 10/2009 Kaufman
 2009/0266829 A1 10/2009 Bailey
 2010/0012657 A1 1/2010 Levey
 2010/0059535 A1 3/2010 Syrkos
 2010/0206874 A1 8/2010 Masurier
 2010/0243652 A1 9/2010 Richey
 2010/0252555 A1 10/2010 Syed
 2010/0288768 A1 11/2010 Booth
 2010/0288827 A1 11/2010 Booth
 2010/0301048 A1 12/2010 Tokunaga
 2011/0062158 A1 3/2011 Hung
 2011/0100854 A1 5/2011 Chapin
 2011/0114655 A1 5/2011 Bailey
 2011/0155732 A1 6/2011 Sprunger
 2011/0180560 A1 7/2011 Hung
 2011/0233209 A1 9/2011 Tu
 2011/0266294 A1 11/2011 Charbonnet
 2011/0278314 A1 11/2011 Bendix
 2011/0284564 A1 11/2011 Hsieh
 2011/0290815 A1 12/2011 Weld
 2012/0000923 A1 1/2012 Powell
 2012/0152968 A1 6/2012 Bailey
 2012/0199584 A1 8/2012 Pensak
 2012/0205390 A1 8/2012 Portman
 2012/0210880 A1 8/2012 Kolesnyk
 2012/0219685 A1 8/2012 Radow
 2012/0263831 A1 10/2012 Skalski
 2013/0277379 A1 10/2013 Charbonnet
 2014/0042177 A1 2/2014 Fleming

FOREIGN PATENT DOCUMENTS

CA 1324342 11/1993
 CA 2031703 5/1996

CA 2136579 A1 5/1996
 CA 2169339 C 5/1999
 CA 2245369 A1 9/2000
 CA 2622689 A1 8/2009
 CN 1248951 A 3/2000
 CN 2603023 Y 2/2004
 CN 2870658 3/2006
 CN 201068255 Y 6/2008
 CN 201079228 7/2008
 CN 201750772 U 2/2011
 CN 201938947 U 8/2011
 DE 202010005134 U1 8/2010
 DE 202010013715 U1 12/2010
 EP 0367483 A2 10/1989
 EP 0398122 A1 11/1990
 EP 427684 A2 5/1991
 EP 2248735 A1 11/2010
 EP 2295338 A1 3/2011
 GB 1599589 10/1981
 GB 2219930 A 12/1989
 GB 2243149 A 10/1991
 GB 2473041 A 3/2011
 GB 2473042 A 3/2011
 GB 2473043 A 3/2011
 JP 09124057 A 5/1997
 JP 09142469 A 6/1997
 JP 2000103469 A 4/2000
 JP 2000287808 A 10/2000
 JP 2001206413 A 7/2001
 JP 2004244051 A 9/2004
 JP 2008308225 A 12/2005
 JP 2008308224 A 12/2008
 JP 2011255944 A 12/2011
 KR 1020020021950 A 3/2002
 KR 200409095 Y1 2/2006
 KR 2020110008147 U 8/2011
 TW 465326 U 11/2001
 TW M318382 U 9/2007
 TW M323449 U 12/2007
 TW M323450 U 12/2007
 TW M333128 U 6/2008
 TW I298997 7/2008
 TW 200846256 A 12/2008
 TW M384844 U 7/2010
 TW M405420 U 6/2011
 WO 0146027 A1 6/2001
 WO WO0156899 A1 8/2001
 WO 2004087510 A2 10/2004
 WO 2007078265 A2 7/2007
 WO 2008018798 A1 2/2008
 WO 2009008587 A1 1/2009
 WO WO2009022745 A1 2/2009
 WO 2009126555 10/2009
 WO 2011024012 A1 3/2011
 WO 2011082333 7/2011
 WO 2012104385 A1 8/2012
 WO 2013142160 A1 9/2013

OTHER PUBLICATIONS

The Geo Lid; Green Bean Packaging, LLC; www.thegeolid.com;
 Web; 2012-2014; retrieved Jan. 2014.
 US 6,003,721, 12/1999, Fleming (withdrawn)

* cited by examiner

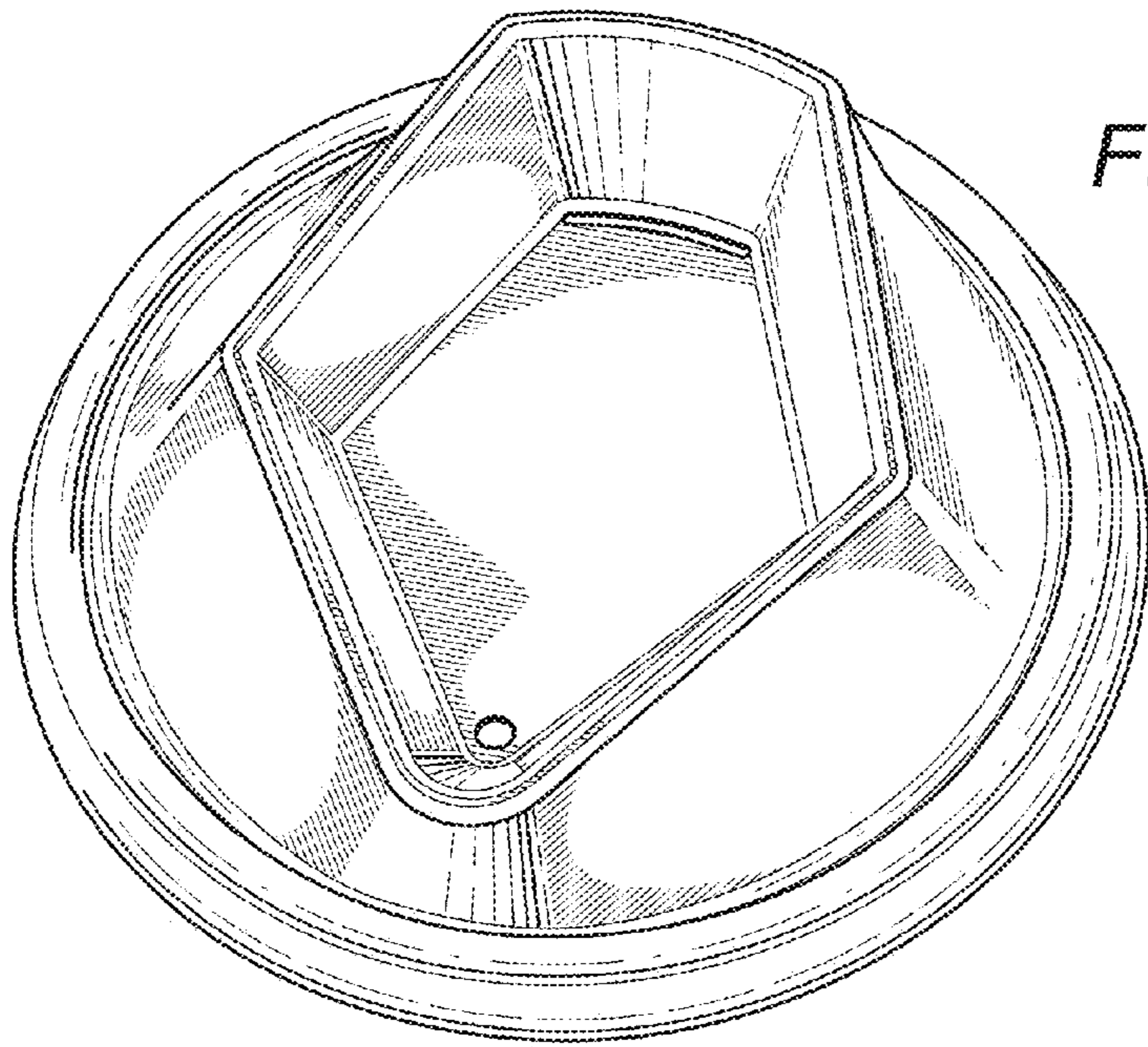


FIG. 1

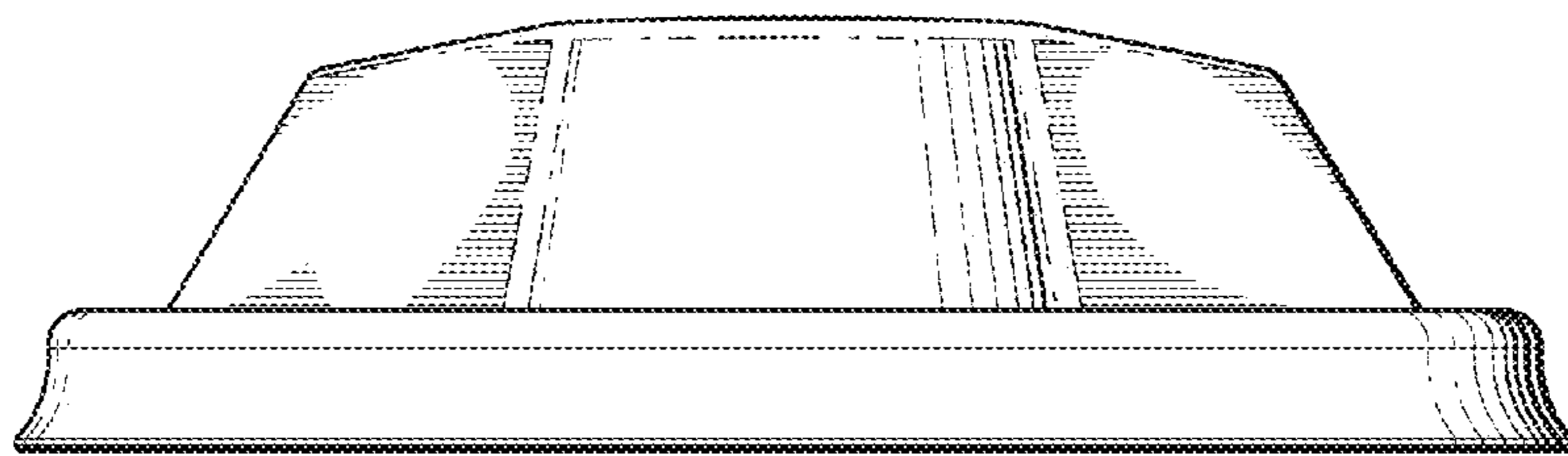
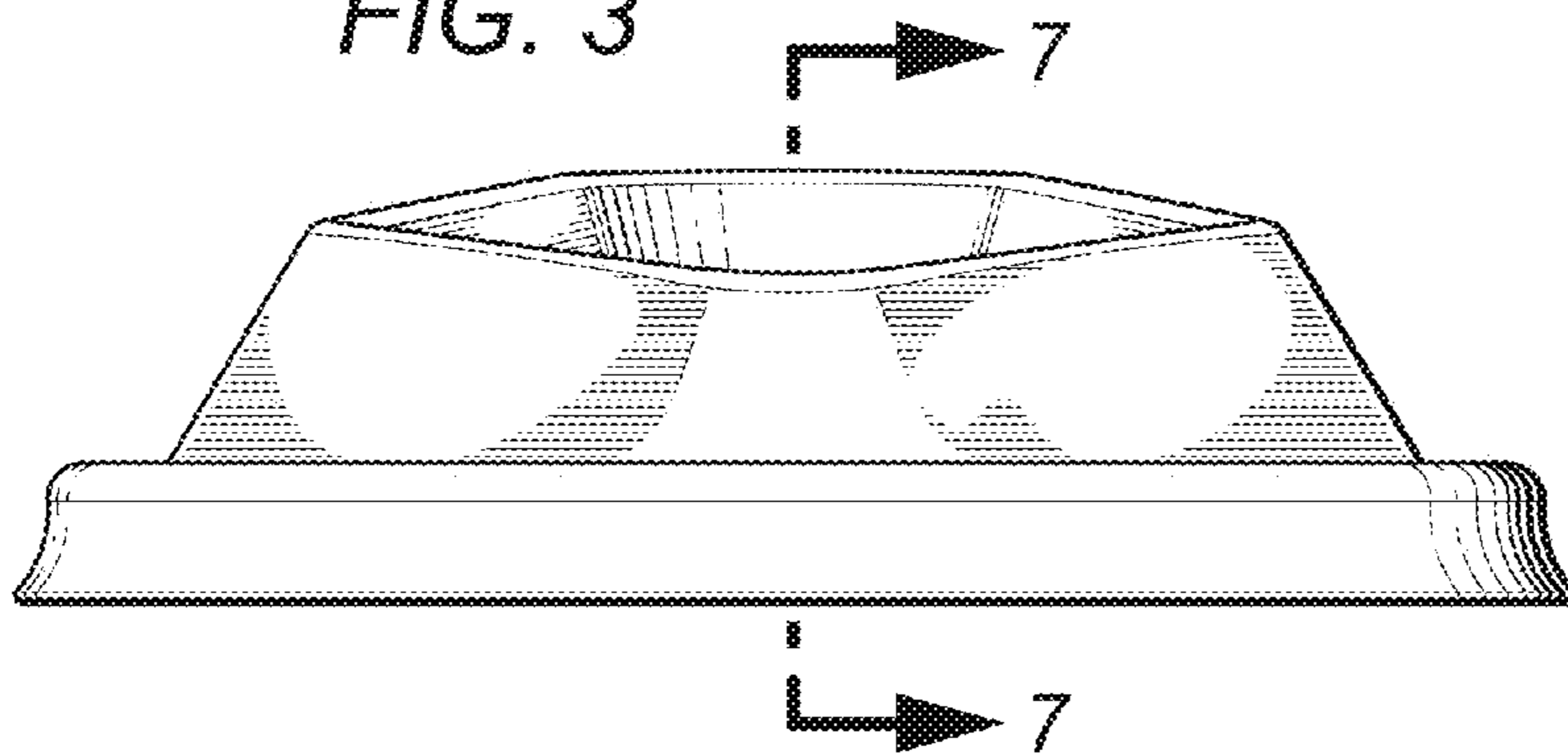


FIG. 2

FIG. 3



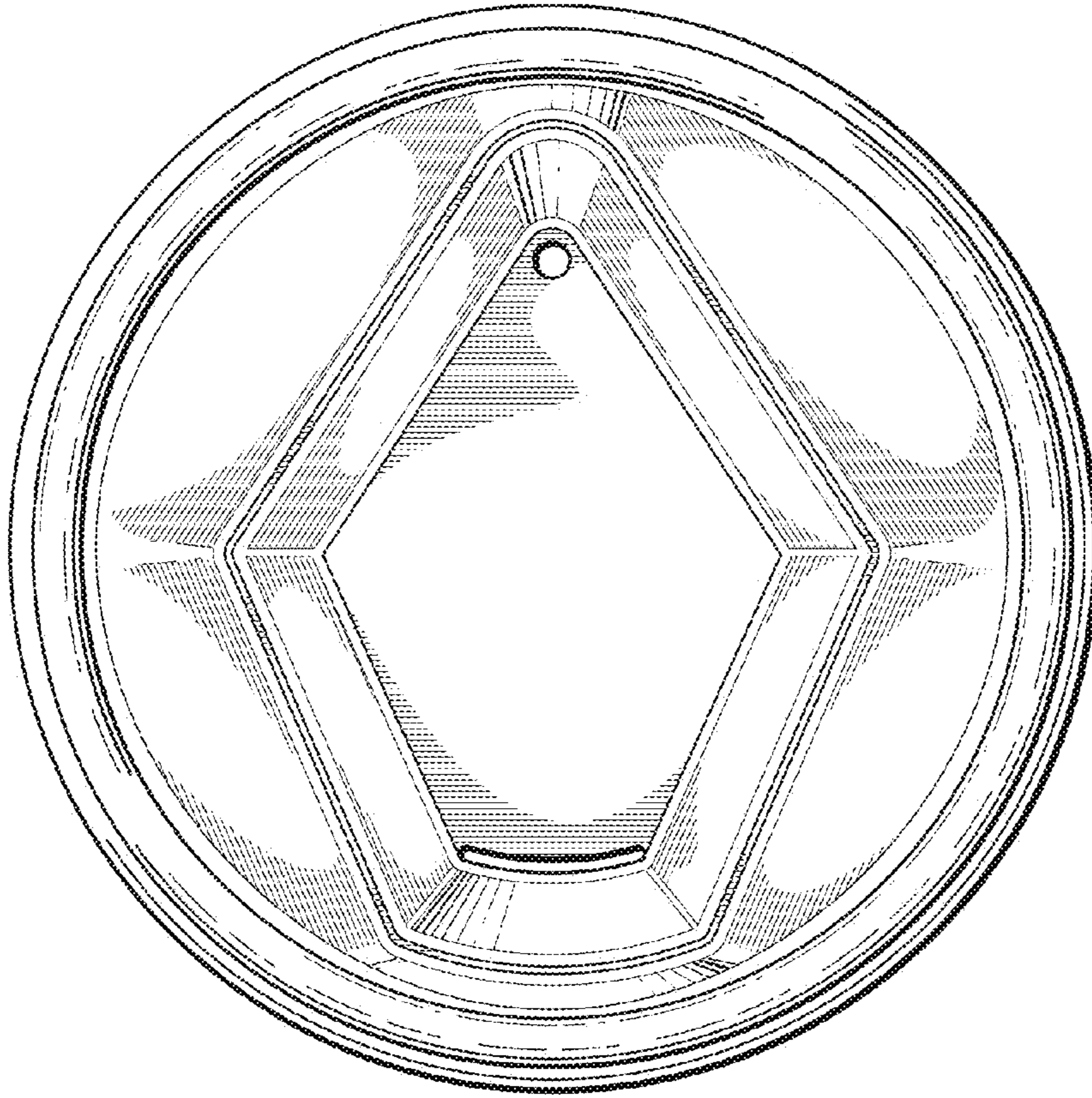
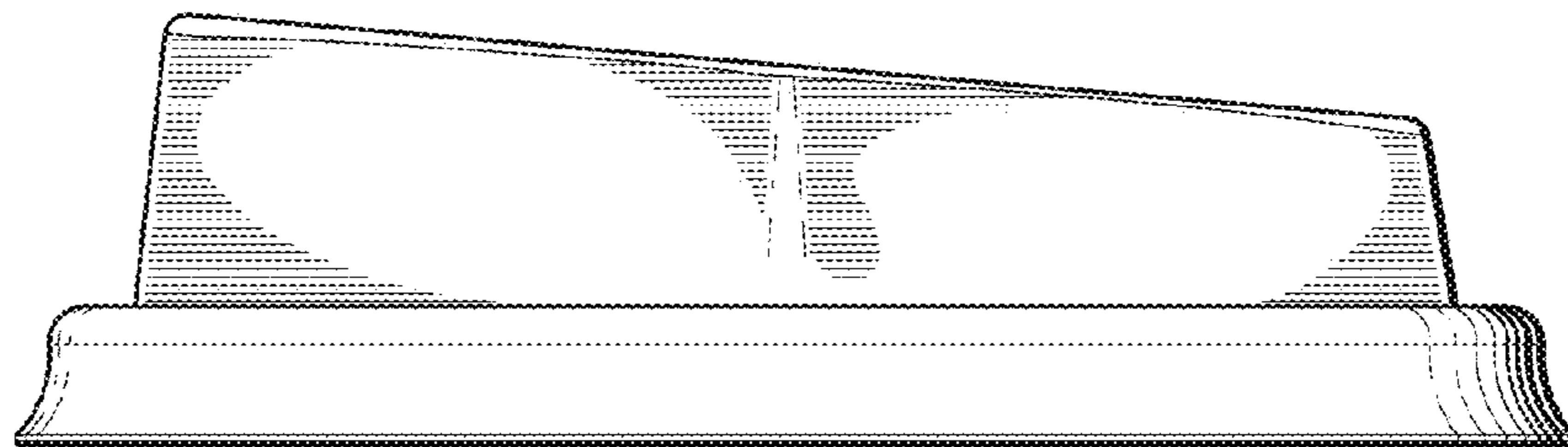


FIG. 5

FIG. 4



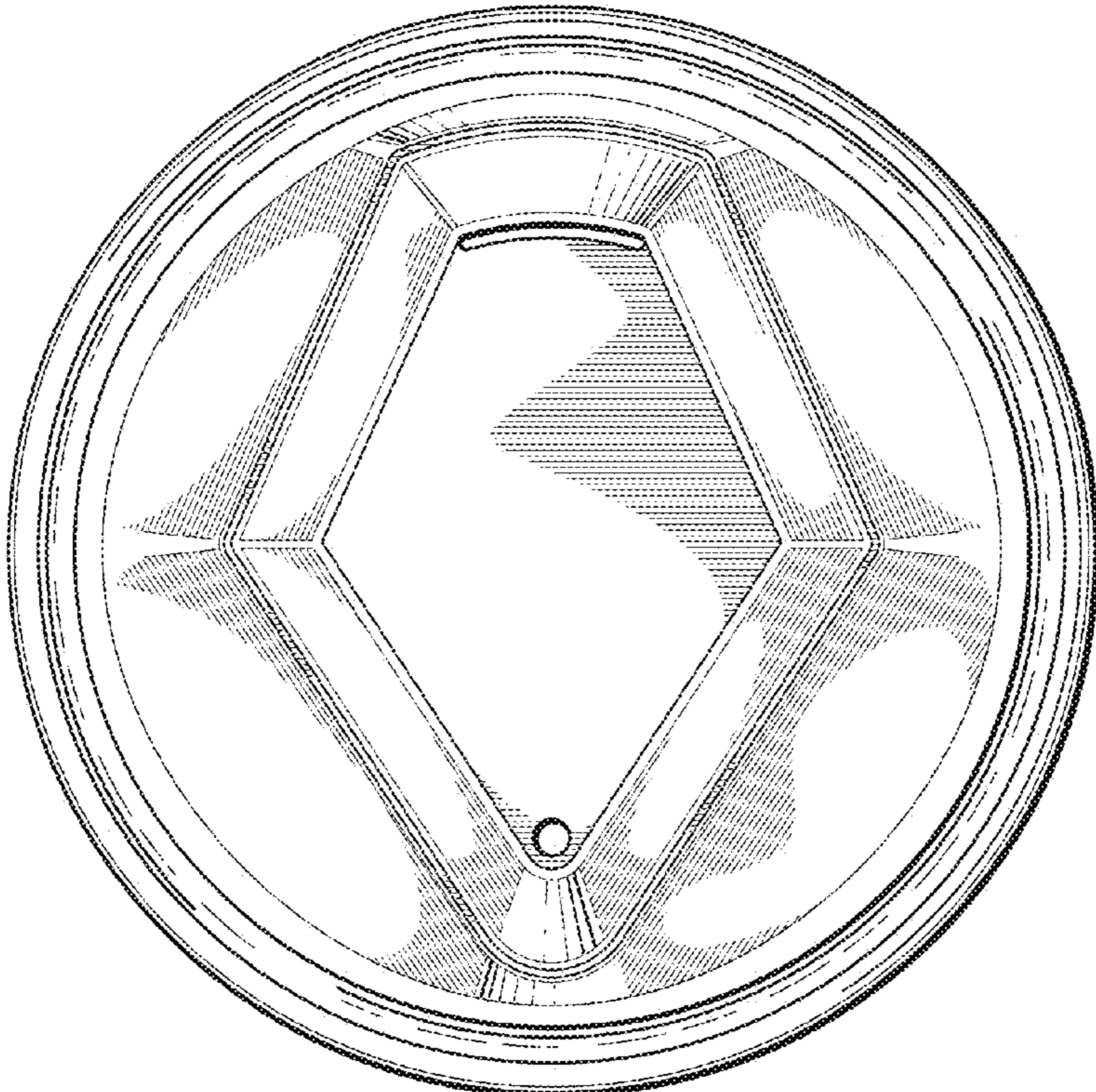


FIG. 6

FIG. 7

