



US00D739725S

(12) **United States Design Patent**
Mohler et al.

(10) **Patent No.:** **US D739,725 S**
(45) **Date of Patent:** **** Sep. 29, 2015**

(54) **CONTAINER**

(71) Applicant: **Kraft Foods Group Brands LLC**,
Northfield, IL (US)
(72) Inventors: **Niketa Mohler**, Ossining, NY (US);
Kristina Lambros, Sleepy Hollow, NY
(US); **Shelley Markoulis**, Wyckoff, NJ
(US); **Piaras Valdis de Cleir**, Tarrytown,
NY (US); **David Burke**, Willowbrook,
IL (US); **Andrew Bunner**, Evansville,
IN (US); **Jordan French**, Evansville, IN
(US)

(73) Assignee: **Kraft Foods Group Brands LLC**,
Northfield, IL (US)

(**) Term: **14 Years**

(21) Appl. No.: **29/465,011**

(22) Filed: **Aug. 22, 2013**

Related U.S. Application Data

(62) Division of application No. 29/419,483, filed on Apr.
27, 2012, now Pat. No. Des. 691,469.

(51) **LOC (10) Cl.** **09-03**

(52) **U.S. Cl.**
USPC **D9/429**

(58) **Field of Classification Search**

USPC D9/414, 415, 416, 417, 419, 421, 424,
D9/425, 428, 429; D7/318, 319, 619.1,
D7/629; 229/400-406, 906.1;
220/656-659, 669-675, 912,
220/4.21-4.27; 206/553, 557, 541, 775,
206/776, 217
CPC A47J 36/06; A47J 47/14; B65D 1/165;
B65D 15/08; B65D 21/083; B65D 21/0234;
B65D 43/162; B65D 71/50; B65D 77/24;
B65D 81/3869; B65D 2543/00046; B65D
2543/00055; B65D 2543/00083; B65D
2543/00092; B65D 2543/00296

See application file for complete search history.

(56) **References Cited**

U.S. PATENT DOCUMENTS

604,514 A 5/1898 Belden
1,331,372 A 5/1898 Popper

(Continued)

FOREIGN PATENT DOCUMENTS

FR 2205045 5/1974
GB 1427375 3/1976

(Continued)

OTHER PUBLICATIONS

“Deli Pot Topper” Pregis.

(Continued)

Primary Examiner — Karen S Acker

Assistant Examiner — Wendy Arminio

(74) *Attorney, Agent, or Firm* — Fitch, Even, Tabin &
Flannery LLP

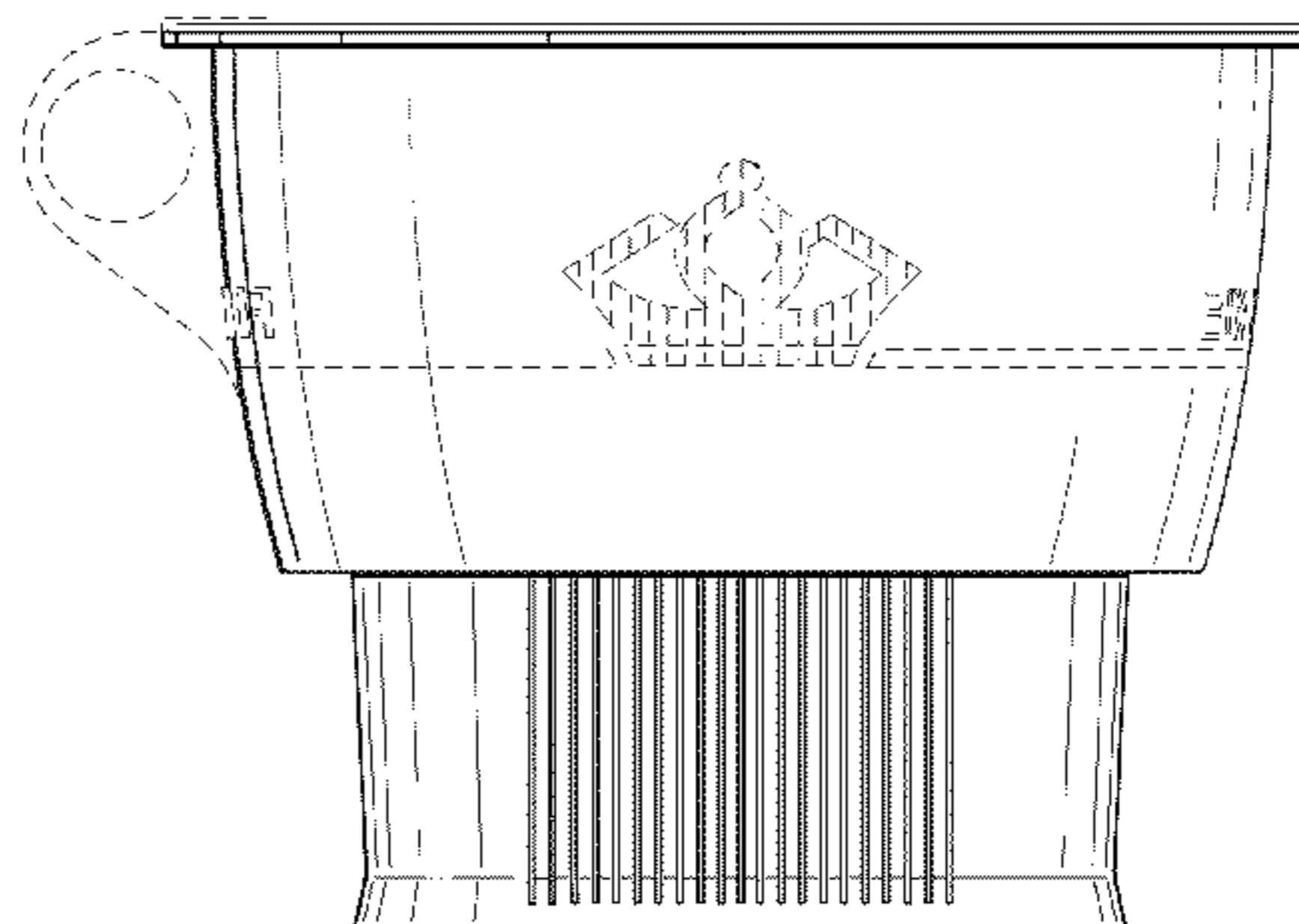
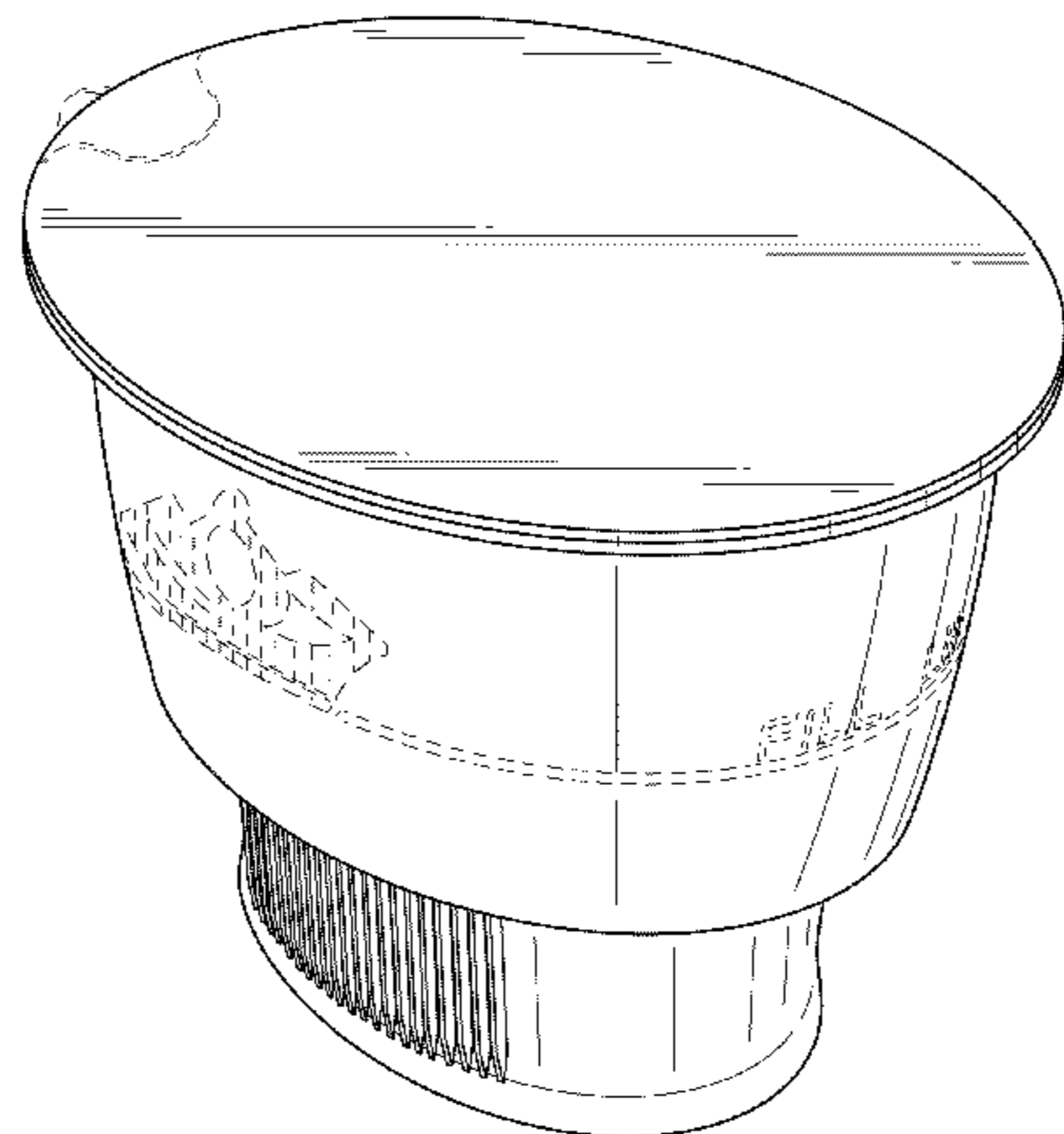
(57) **CLAIM**

The ornamental design for a container, as shown and
described.

DESCRIPTION

FIG. 1 is a perspective view of a container showing our new
design;
FIG. 2 is a front elevational view of the container of FIG. 1;
FIG. 3 is a right side elevational view of the container of FIG.
1, the left side elevational view being a mirror image thereof;
FIG. 4 is top plan view of the container of FIG. 1;
FIG. 5 is a rear elevational view of the container of FIG. 1;
and,
FIG. 6 is a bottom plan view of the container of FIG. 1.
The broken lines in the figures depict portions of the container
that form no part of the claimed design.

1 Claim, 3 Drawing Sheets



(56)

References Cited

U.S. PATENT DOCUMENTS

2,834,533 A * 5/1958 Carew 229/402
 3,057,536 A 10/1962 Warnsdorfer, Jr. et al.
 3,128,029 A * 4/1964 Price et al. 229/400
 D198,721 S * 7/1964 Eicholtz D9/429
 3,186,850 A 6/1965 Anthony
 3,443,714 A * 5/1969 Edwards 220/671
 D221,135 S 7/1971 Schorer et al.
 D239,151 S * 3/1976 Lundin D7/523
 4,039,435 A * 8/1977 Narva 206/217
 4,061,782 A * 12/1977 Baxter 426/86
 D265,462 S * 7/1982 Andrulionis et al. D9/429
 4,874,618 A 10/1989 Seaborne et al.
 5,242,077 A 9/1993 Smith et al.
 D397,915 S * 9/1998 McNaughton D7/619.1
 D400,763 S * 11/1998 Taylor et al. D7/619.1
 5,950,913 A 9/1999 Rea et al.
 6,042,858 A 3/2000 Kairys
 D433,327 S 11/2000 Lillelund et al.
 6,263,923 B1 7/2001 Castillo
 D473,788 S * 4/2003 Chen et al. D9/428
 D478,478 S * 8/2003 Soohoo et al. D7/586
 D482,240 S * 11/2003 Soohoo et al. D7/584
 D580,233 S 11/2008 Camarota et al.
 D593,407 S * 6/2009 Seo D9/428
 D617,043 S 6/2010 Patel et al.
 D629,243 S 12/2010 Meyl et al.
 D643,284 S 8/2011 Zomorodi et al.
 D643,285 S 8/2011 Zomorodi et al.
 D643,286 S 8/2011 Zomorodi et al.

D645,340 S * 9/2011 Menard et al. D9/428
 D646,968 S * 10/2011 Ortiz et al. D9/429
 D656,009 S 3/2012 Ortiz et al.
 D656,010 S 3/2012 Ortiz et al.
 D671,831 S 12/2012 Moreau
 8,336,732 B1 * 12/2012 Tobias 220/839
 D676,284 S 2/2013 Pallotto
 D691,468 S * 10/2013 Markoulis et al. D9/428
 D691,469 S * 10/2013 Mohler et al. D9/429
 D710,686 S * 8/2014 Gowens D9/429
 8,851,314 B2 * 10/2014 Hudson et al. 220/212
 8,870,054 B2 * 10/2014 Zhou 229/101
 2003/0222089 A1 12/2003 Hale
 2005/0266122 A1 12/2005 Franceschi
 2007/0193894 A1 8/2007 Macken et al.
 2009/0092711 A1 4/2009 Ninh et al.
 2009/0114650 A1 5/2009 Houston, Jr. et al.
 2009/0258115 A1 10/2009 Minfray
 2013/0108739 A1 * 5/2013 Markoulis et al. 426/87

FOREIGN PATENT DOCUMENTS

JP 2002102068 4/2002
 JP 10211953 7/2003
 WO WO9523744 9/1995
 WO WO2005037678 4/2005

OTHER PUBLICATIONS

International Search Report issued on Jan. 15, 2013 in International Application No. PCT/US2012/061854 (10 pgs.).

* cited by examiner

FIG. 1

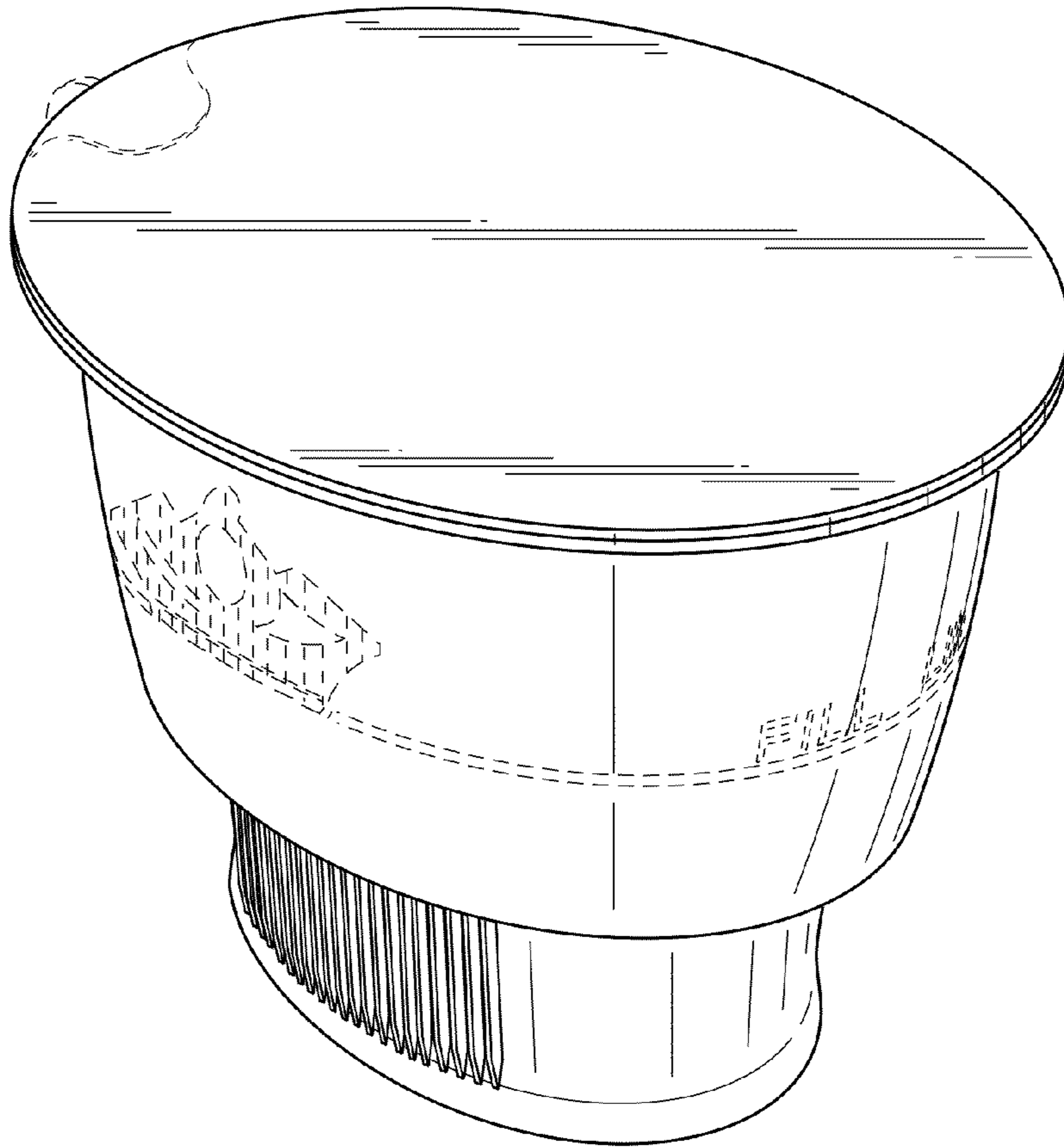


FIG. 2

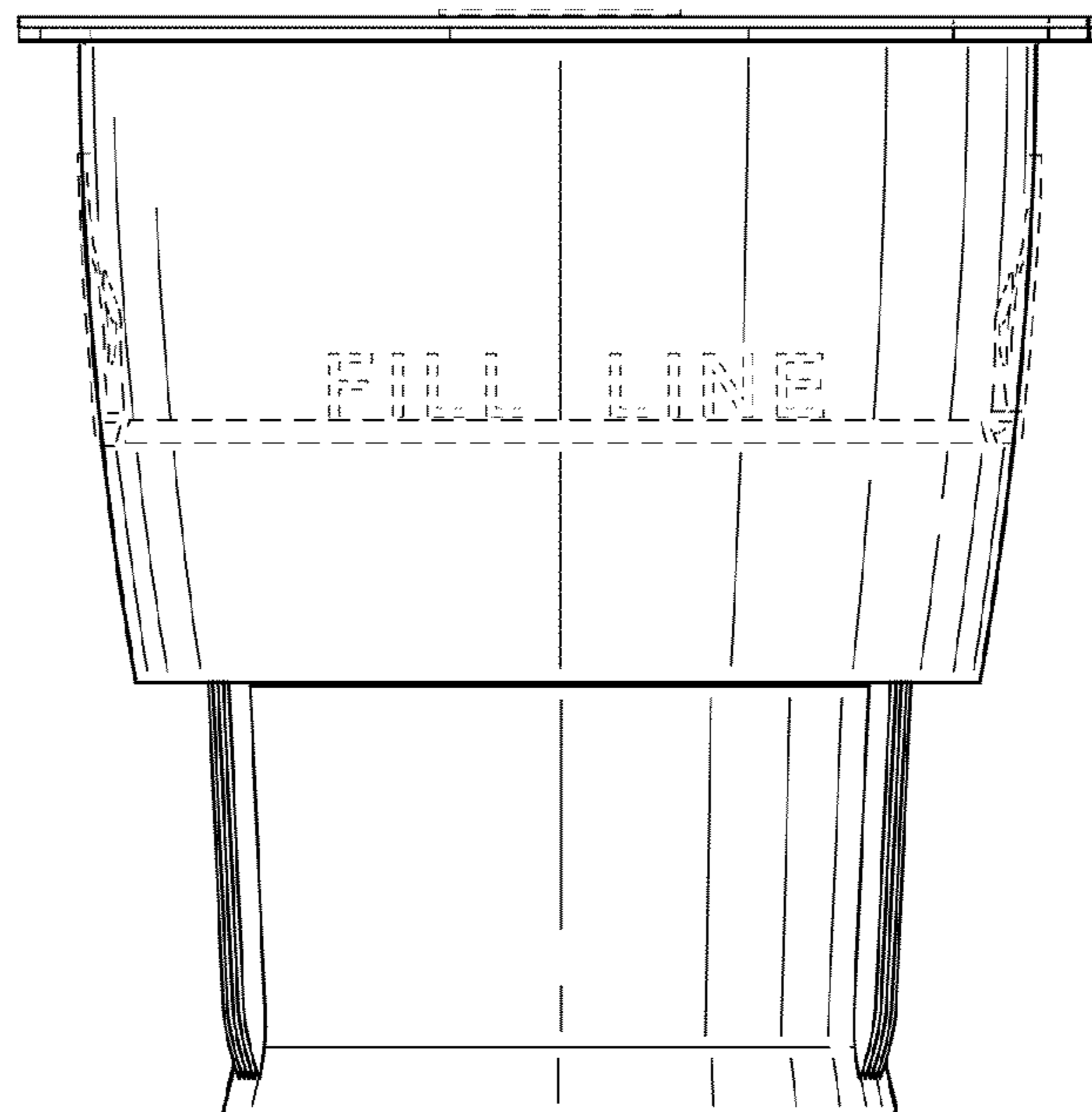


FIG. 3

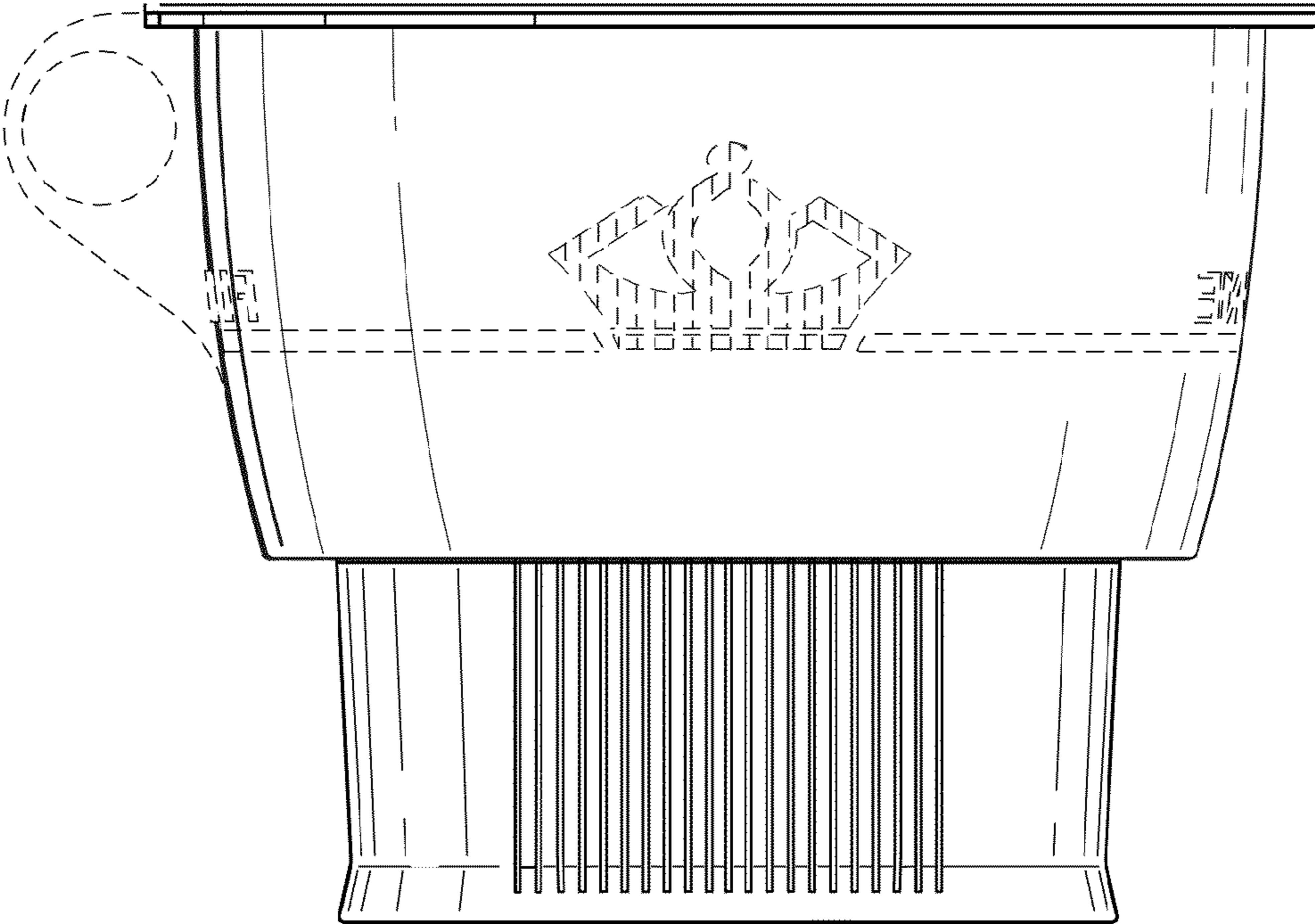


FIG. 4

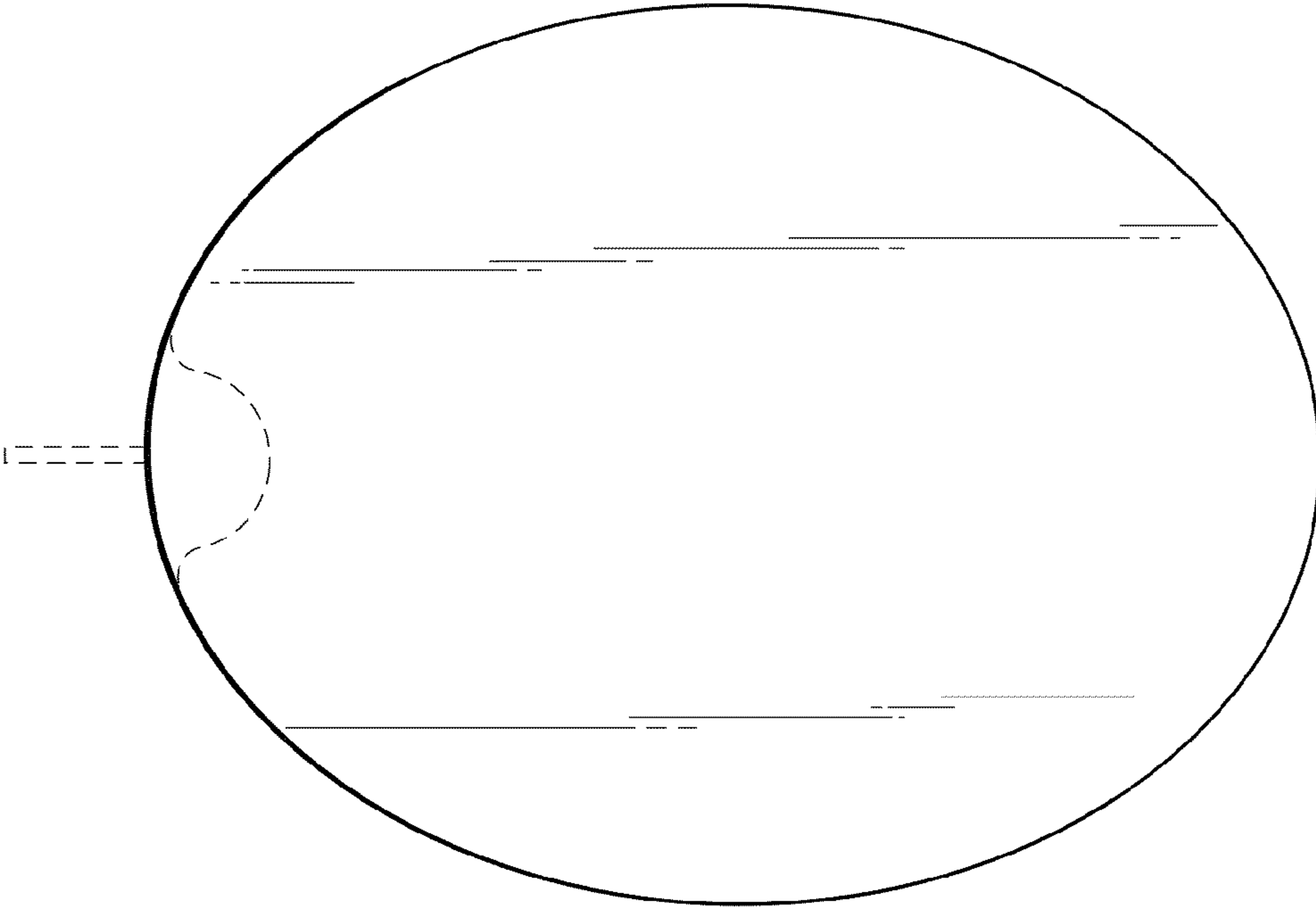


FIG. 5

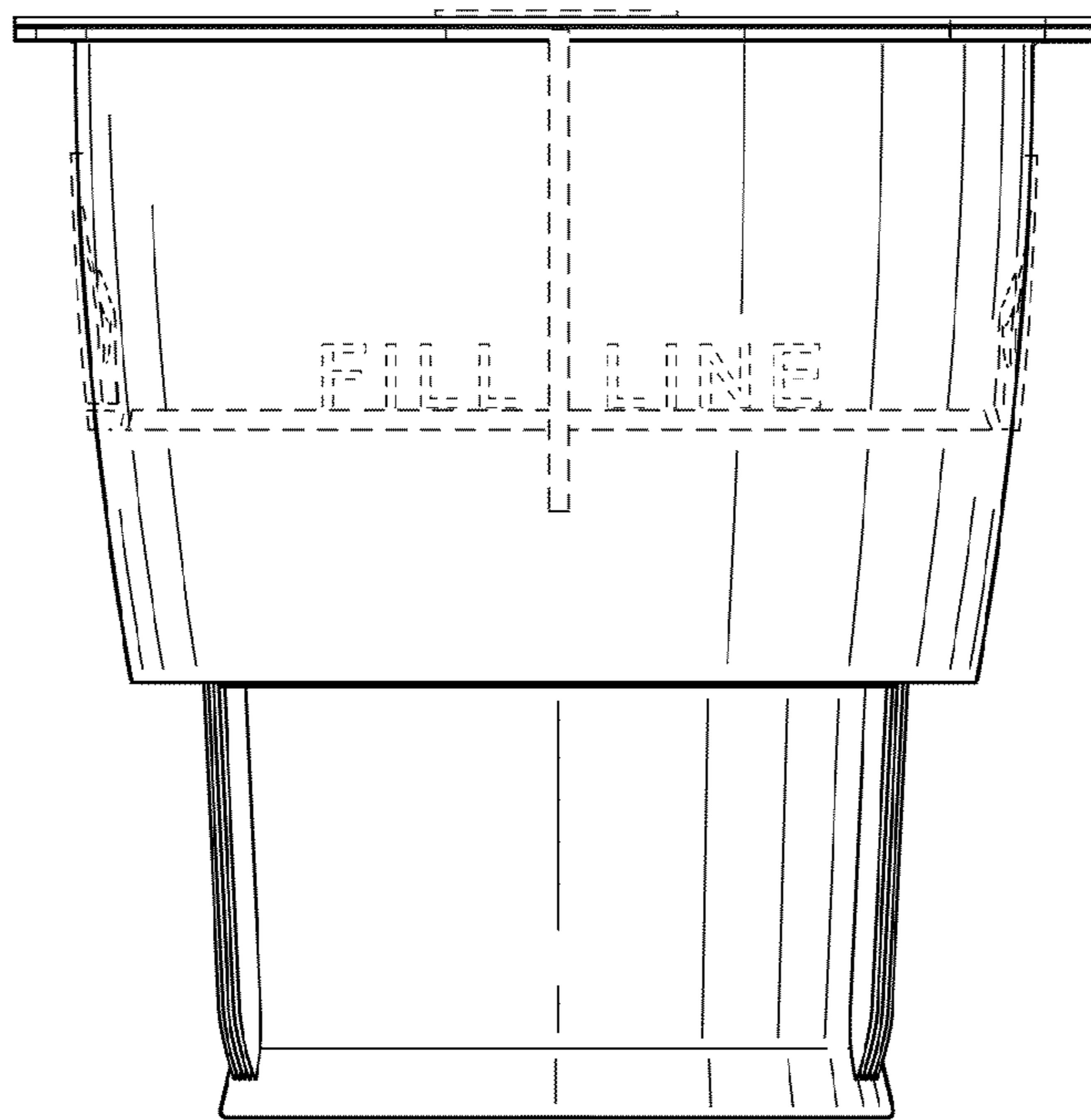


FIG. 6

