



US00D739721S

(12) **United States Design Patent**  
**Gretz**

(10) **Patent No.:** **US D739,721 S**

(45) **Date of Patent:** **\*\* Sep. 29, 2015**

(54) **WIRE GRIPPER WITH KNURLED THUMBSCREW**

(71) Applicant: **Thomas J. Gretz**, Port St. Lucie, FL (US)

(72) Inventor: **Thomas J. Gretz**, Port St. Lucie, FL (US)

(73) Assignee: **Arlington Industries, Inc.**, Scranton, PA (US)

(\*\*) Term: **14 Years**

(21) Appl. No.: **29/460,462**

(22) Filed: **Jul. 11, 2013**

(51) **LOC (10) Cl.** ..... **08-08**

(52) **U.S. Cl.**  
USPC ..... **D8/396**

(58) **Field of Classification Search**  
USPC ..... D8/72, 354, 355, 356, 371, 373, 394, D8/395, 396; 248/49, 61, 62, 63, 73, 248/74.1-74.4; 294/132; 174/40 R, 40 CC  
CPC ..... F16L 3/26; F16L 3/14; F16L 3/13; F16L 3/24; F16L 3/10; H02G 7/08; H02G 7/10; H02G 7/12; H02G 7/53; F16G 11/12  
See application file for complete search history.

(56) **References Cited**

U.S. PATENT DOCUMENTS

3,860,351	A *	1/1975	Weiss et al.	403/218
D305,860	S *	2/1990	DeFrance	D8/14
D336,535	S *	6/1993	Maglica et al.	D26/138
D342,669	S *	12/1993	Solomon	D8/396
D389,228	S *	1/1998	Winterer et al.	D23/245
5,733,139	A *	3/1998	Bray et al.	439/402
D484,400	S *	12/2003	Blake et al.	D8/394
D504,445	S *	4/2005	Johnson	D15/122

D507,481	S *	7/2005	Blake et al.	D8/394
D523,738	S *	6/2006	Henson	D8/395
D531,016	S *	10/2006	Kobayashi	D8/394
D531,890	S *	11/2006	Bentrim	D8/382
D538,143	S *	3/2007	Pu et al.	D8/394
7,191,988	B2 *	3/2007	Kim et al.	248/68.1
D577,990	S *	10/2008	Andre et al.	D8/395
D591,587	S *	5/2009	Mason	D8/396
D620,346	S *	7/2010	Gretz	D8/396
D620,786	S *	8/2010	Gretz	D8/396
D679,581	S *	4/2013	Liu et al.	D8/395
D708,052	S *	7/2014	Symons	D8/394
D709,459	S *	7/2014	Polidori	D13/149
D713,713	S *	9/2014	Symons	D8/396
D717,159	S *	11/2014	Lindberg et al.	D8/396
D722,897	S *	2/2015	Silberberg	D10/69

\* cited by examiner

*Primary Examiner* — John Windmuller

*Assistant Examiner* — Steven Czyz

(57) **CLAIM**

The ornamental design for wire gripper with knurled thumbscrew, as shown and described.

**DESCRIPTION**

FIG. 1 is a front side view of a wire gripper with knurled thumbscrew showing my new design, with the rear side being a mirror image thereof;

FIG. 2 is an end view thereof, with the opposing end view being a mirror image thereof;

FIG. 3 is a top view thereof;

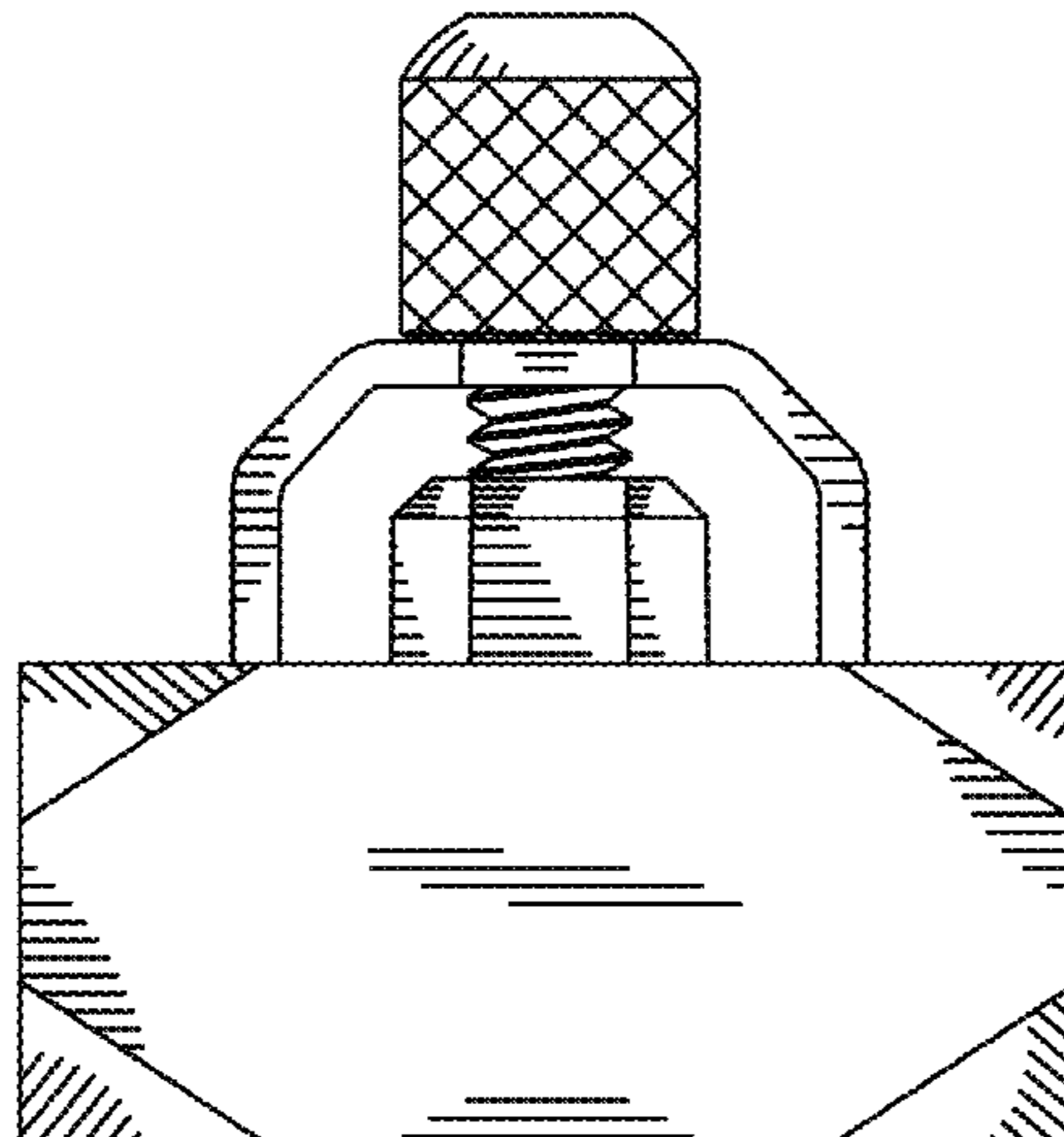
FIG. 4 is a bottom view thereof;

FIG. 5 is a top perspective view thereof; and,

FIG. 6 is a bottom perspective view thereof.

The broken lines are for illustrating portions of the wire gripper with knurled thumbscrew and form no part of the claimed design.

**1 Claim, 3 Drawing Sheets**



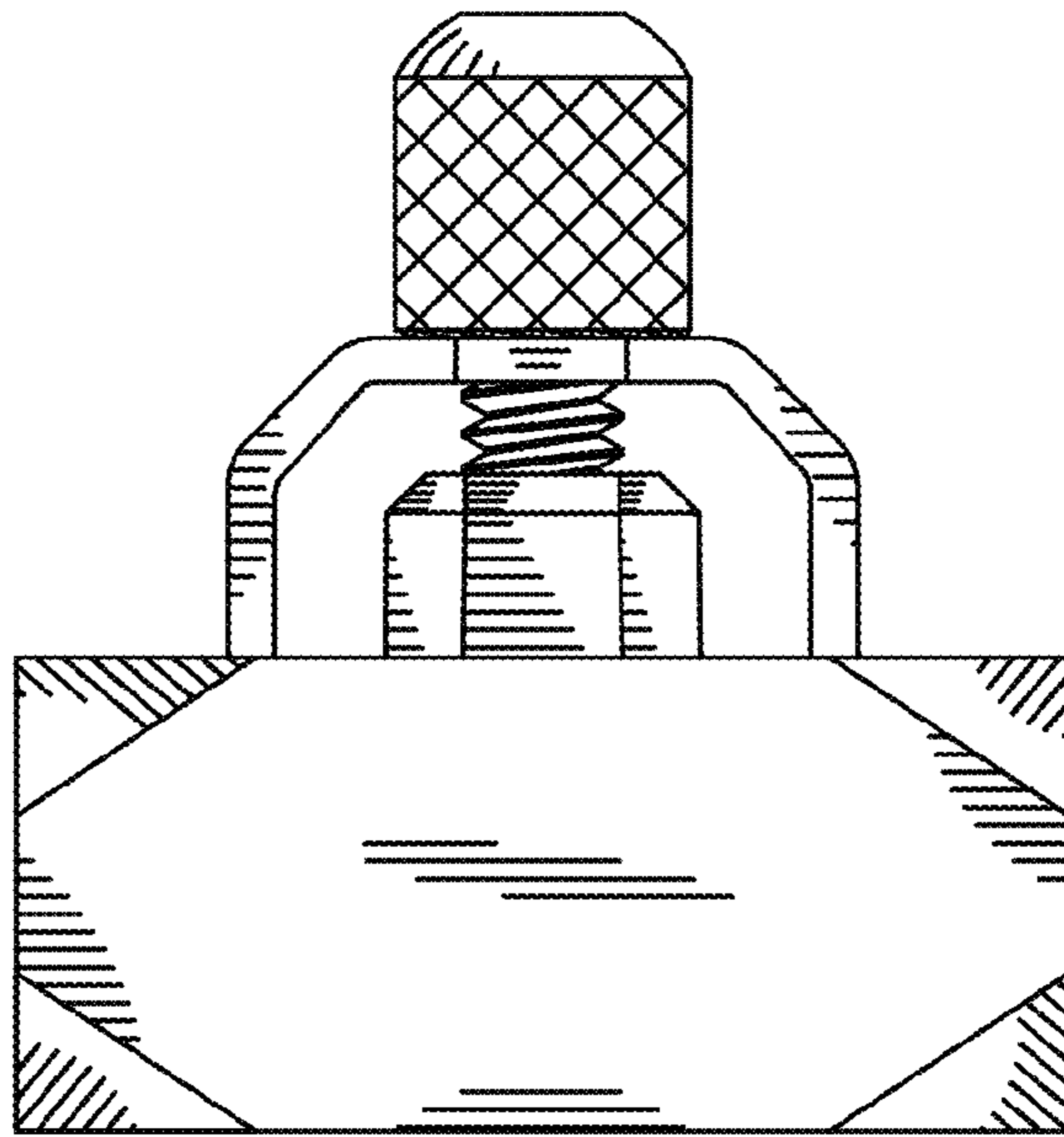


Fig. 1

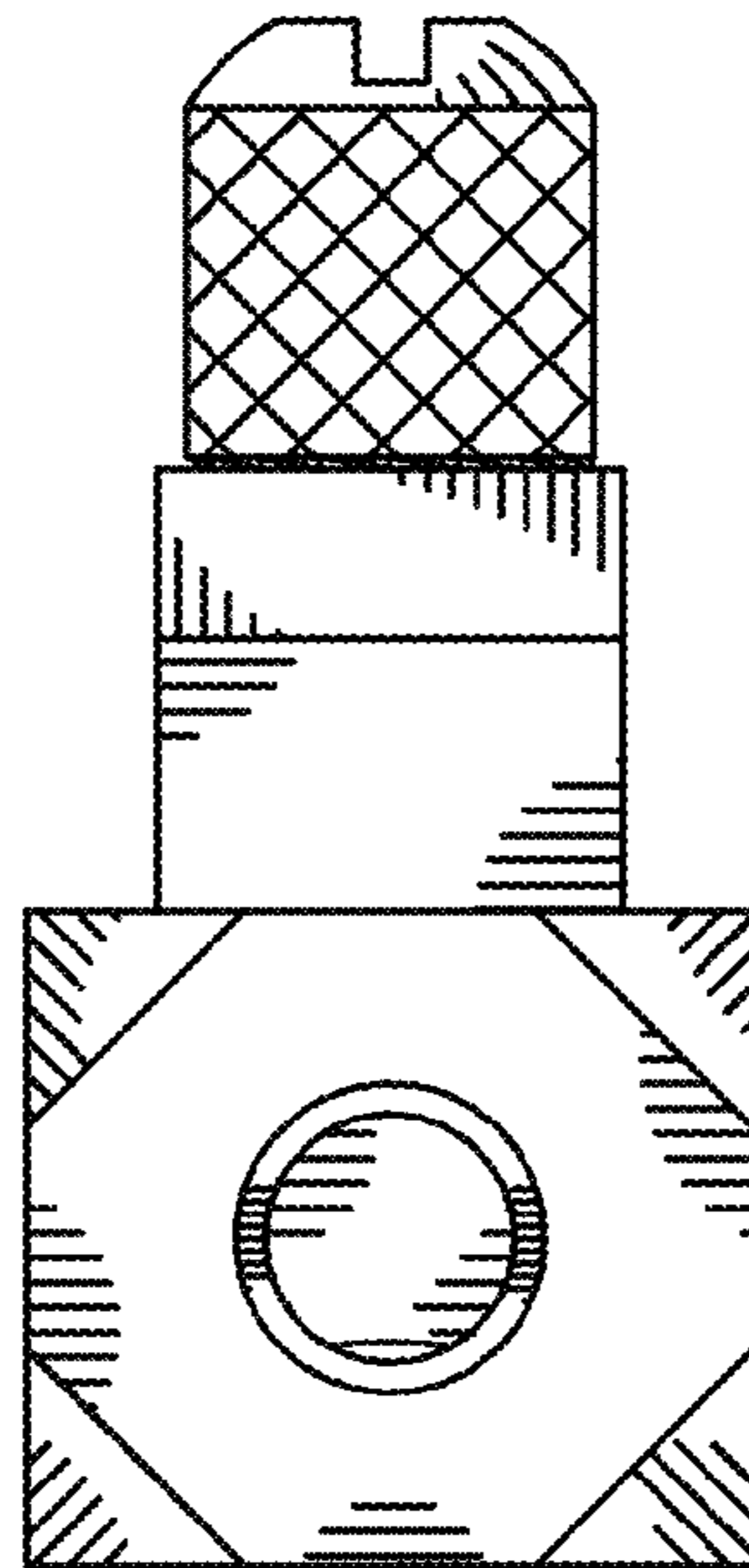


Fig. 2

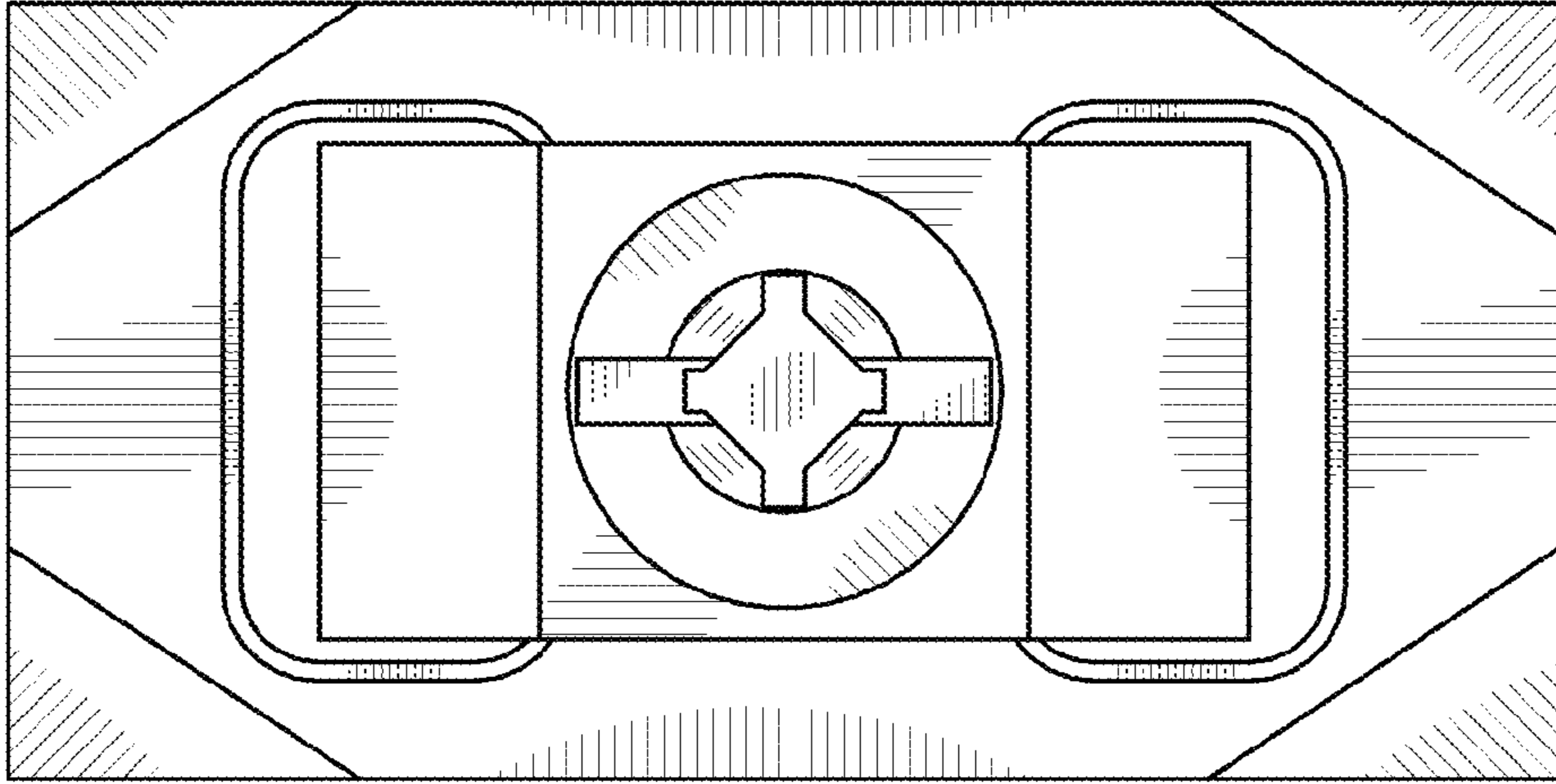


Fig. 3

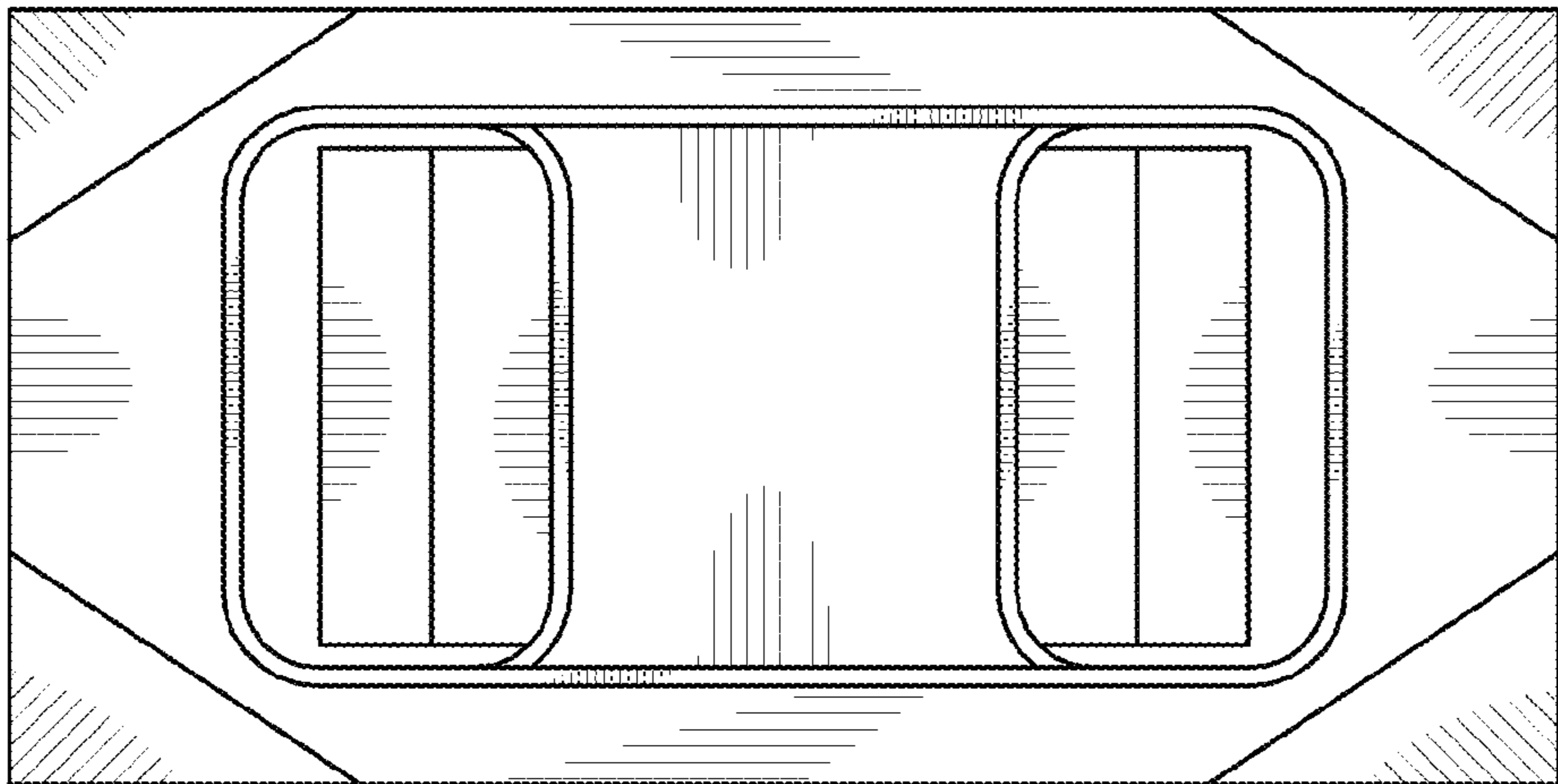


Fig. 4

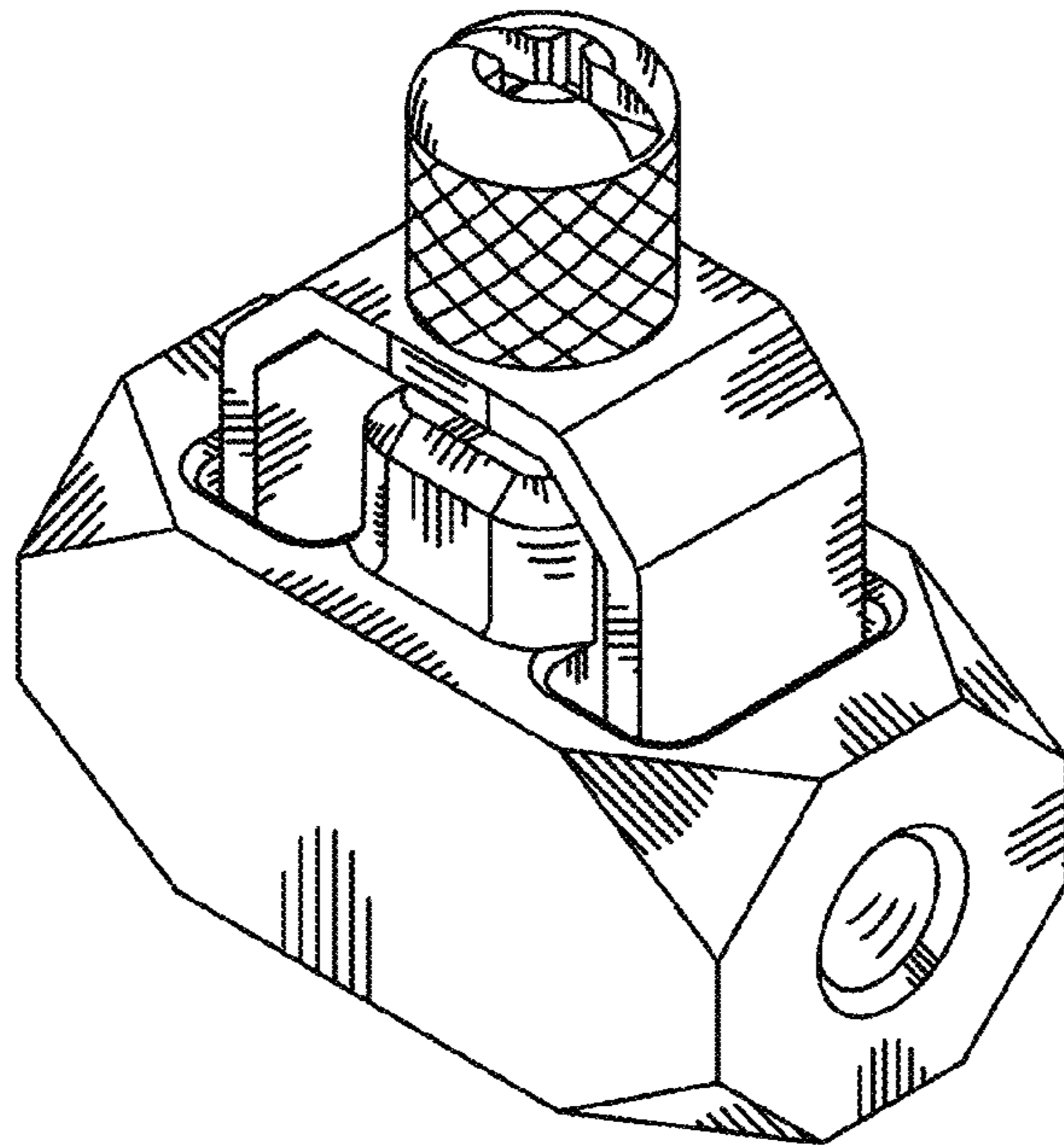


Fig. 5

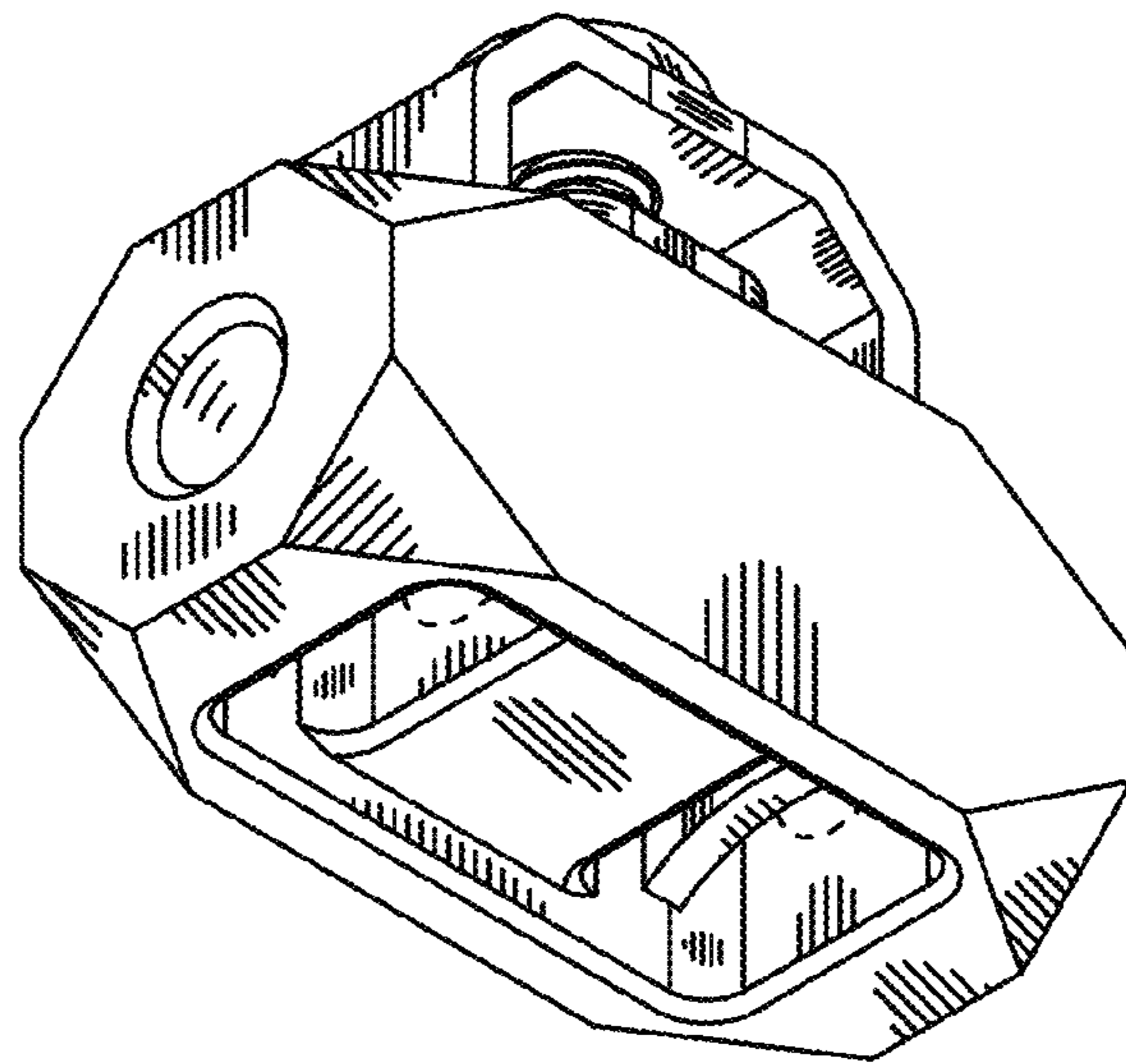


Fig. 6