



US00D739718S

(12) **United States Design Patent**
Brown

(10) **Patent No.:** **US D739,718 S**
(45) **Date of Patent:** **** Sep. 29, 2015**

- (54) **WIRE SPOOL GUIDE**
- (71) Applicant: **Walter Edward Brown**, Lake Elsinore, CA (US)
- (72) Inventor: **Walter Edward Brown**, Lake Elsinore, CA (US)
- (**) Term: **14 Years**
- (21) Appl. No.: **29/517,953**
- (22) Filed: **Feb. 18, 2015**
- (51) **LOC (10) Cl.** **08-05**
- (52) **U.S. Cl.**
USPC **D8/358**
- (58) **Field of Classification Search**
USPC D8/44, 358, 60, 314, 499, 382, 360, D8/359, 349, 380; D6/515; D12/96, 106, D12/400, 223, 217
CPC B66D 3/006; B66D 3/18; B66D 3/26; B66D 3/02; B66D 3/14; B63B 21/18; B63B 21/26; B65B 57/005; A61G 7/1051; A61G 7/1061; B65H 16/02; B65H 2301/4131; B65H 75/4471; B66B 11/08
See application file for complete search history.

5,516,059 A	5/1996	Gudgeon et al.	
6,082,278 A	7/2000	Asao et al.	
D447,405 S *	9/2001	Diener	D8/358
D459,195 S *	6/2002	Moutrey	D8/358
6,592,066 B1	7/2003	Hermanns et al.	
7,124,980 B2	10/2006	Giovannoni	
7,219,611 B1	5/2007	Troncoso et al.	
D581,238 S	11/2008	Patti	
D584,471 S	1/2009	Diedericks	
D679,973 S *	4/2013	Burris	D8/44
2005/0115480 A1	6/2005	Kronenberger	
2005/0279265 A1	12/2005	Chien	
2006/0138271 A1	6/2006	Yamazaki et al.	

* cited by examiner

Primary Examiner — Robert M Spear
Assistant Examiner — Eliza Bennett-Hattan
(74) *Attorney, Agent, or Firm* — Kirk A. Buhler; Buhler & Associates

(57) **CLAIM**
The ornamental design for a wire spool guide, as shown and described.

DESCRIPTION

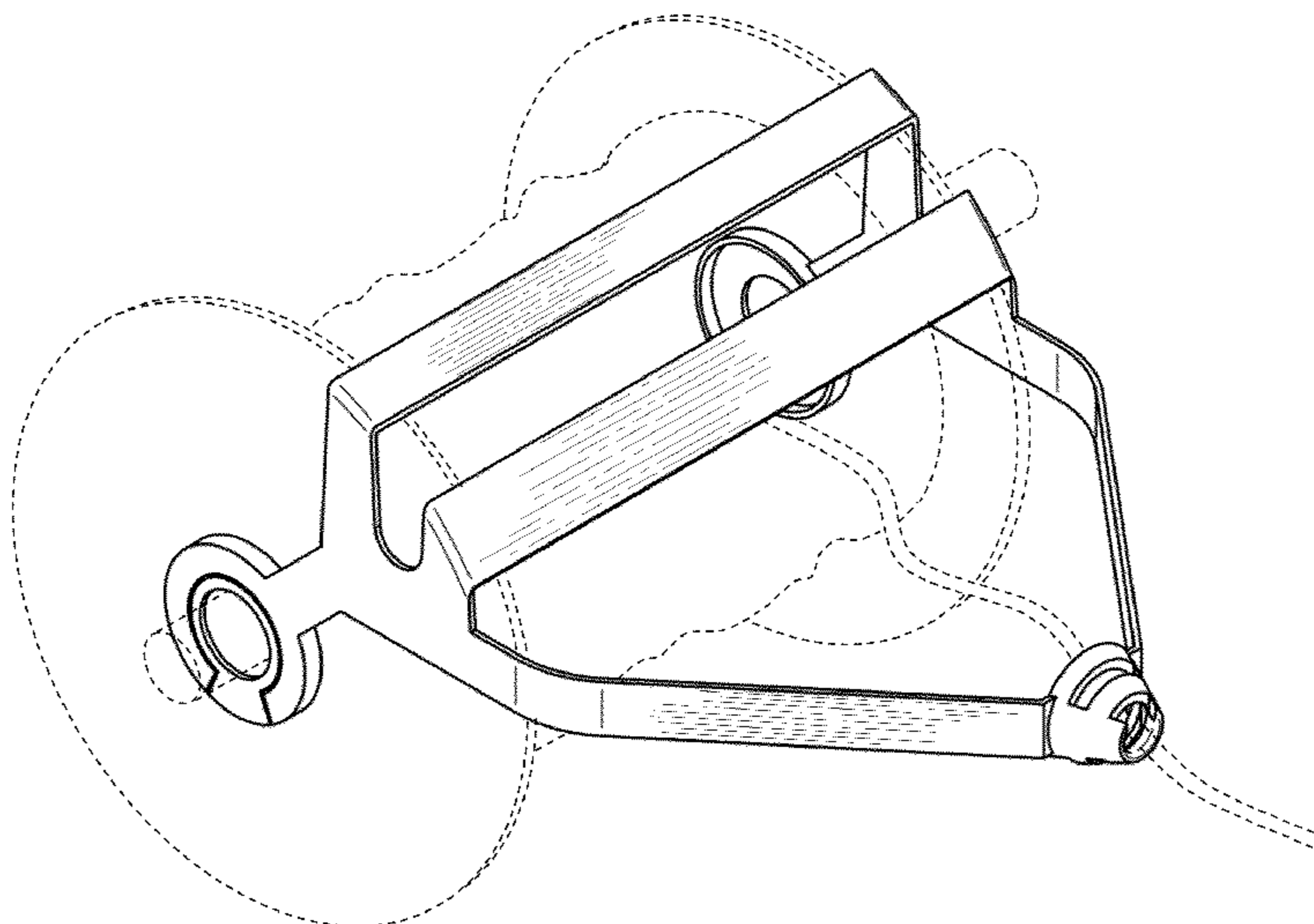
FIG. 1 is a top perspective view for a wire spool guide showing my new design;
FIG. 2 is a front side view thereof;
FIG. 3 is a back side view thereof;
FIG. 4 is a top side view thereof;
FIG. 5 is a bottom side view thereof;
FIG. 6 is a left side view, the right side view being a mirror image thereof;
FIG. 7 is a left sectional view taken along lines 7-7 from FIG. 4 thereof;
FIG. 8 is a top perspective view shown in an environment of use, and,
FIG. 9 is a top perspective view shown with the knock-outs displaced for clarity of disclosure.
The broken lines in FIG. 8 depict environmental subject matter and form no part of the claimed design.

1 Claim, 5 Drawing Sheets

(56) **References Cited**

U.S. PATENT DOCUMENTS

D20,530 S *	2/1891	Meeker	D8/358
D32,337 S *	3/1900	Cleff	D8/358
D34,834 S *	7/1901	Plopper	D8/499
3,381,943 A	5/1968	Miller	
3,476,068 A	11/1969	Preston	
3,625,443 A	12/1971	Knowles	
D228,870 S *	10/1973	Allen	D8/44
3,940,089 A	2/1976	Lindquist	
4,179,083 A	12/1979	Hara et al.	
4,301,975 A	11/1981	Camardella	
D265,171 S *	6/1982	Zukaitis	D8/44
4,469,290 A	9/1984	Frentzel-Beyme	
5,048,436 A	9/1991	Thiele	



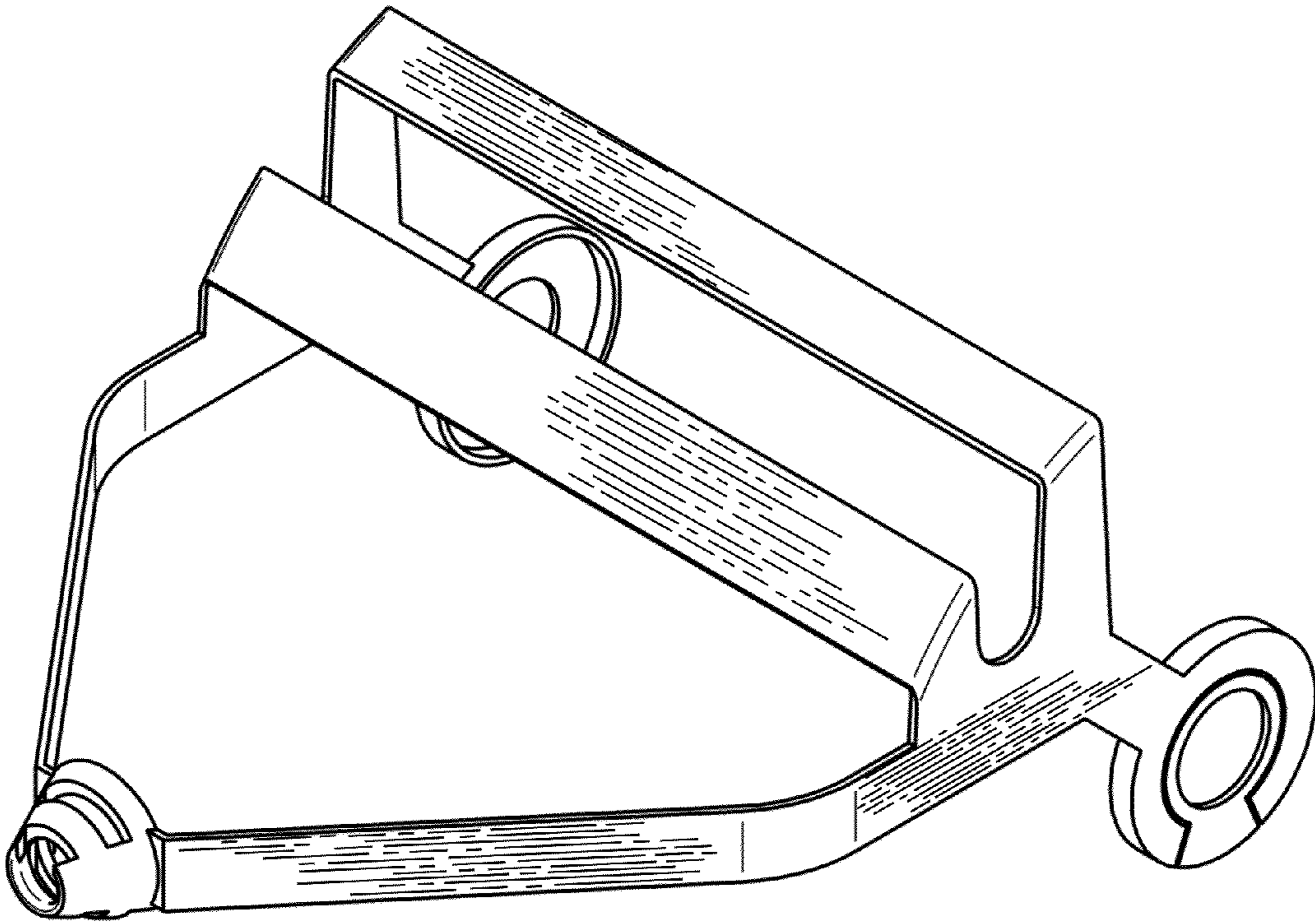


FIG. 1

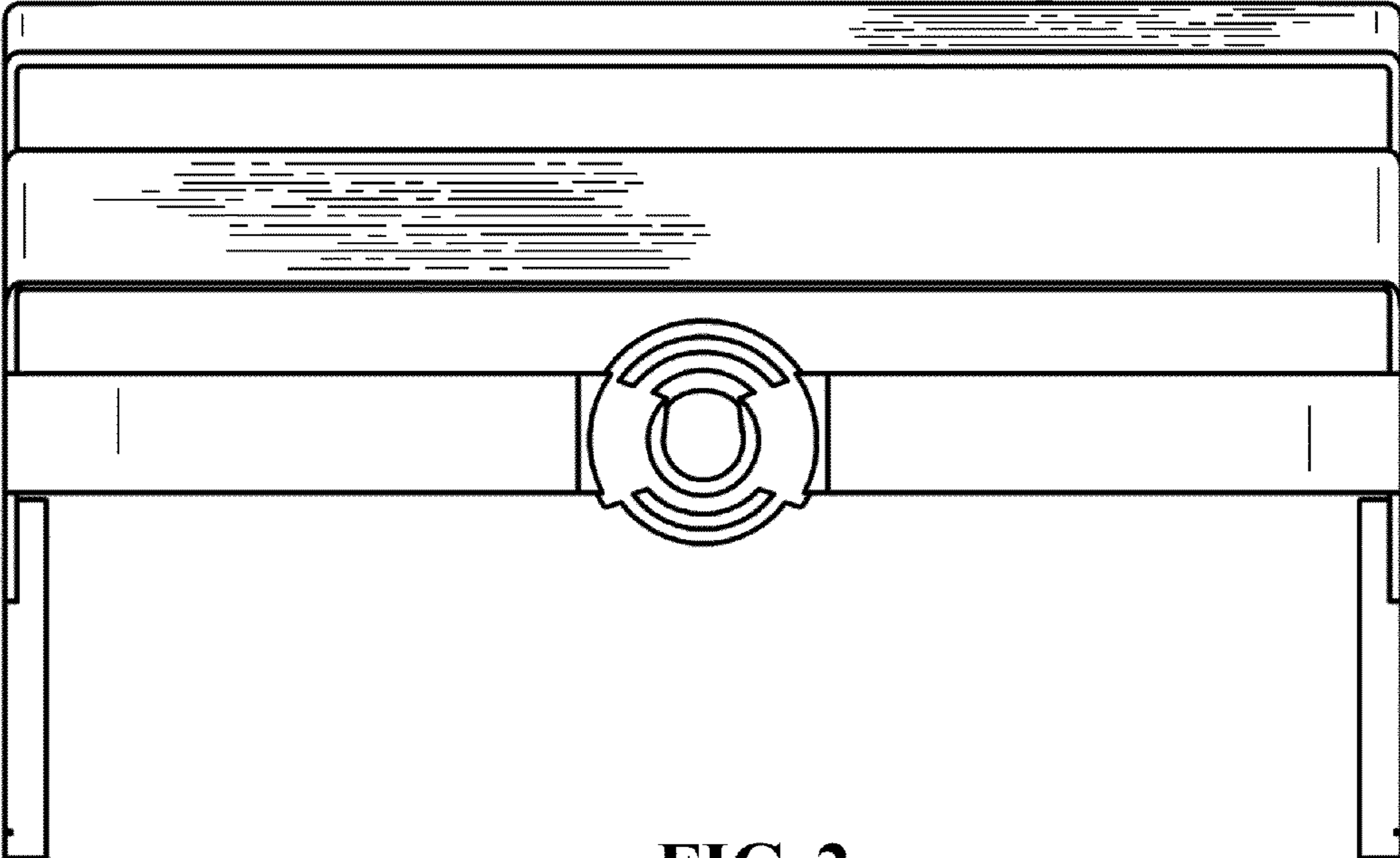


FIG. 2

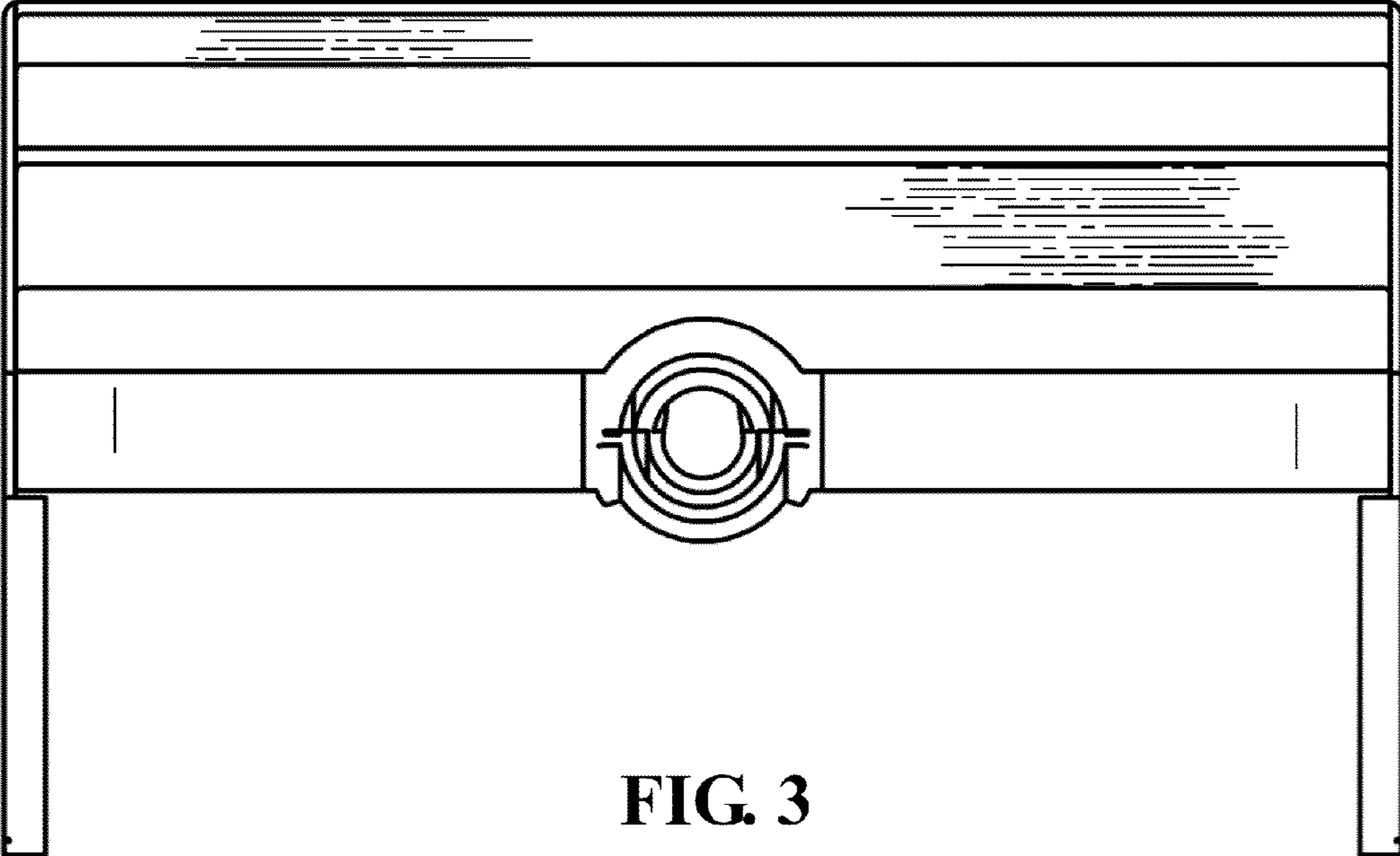


FIG. 3

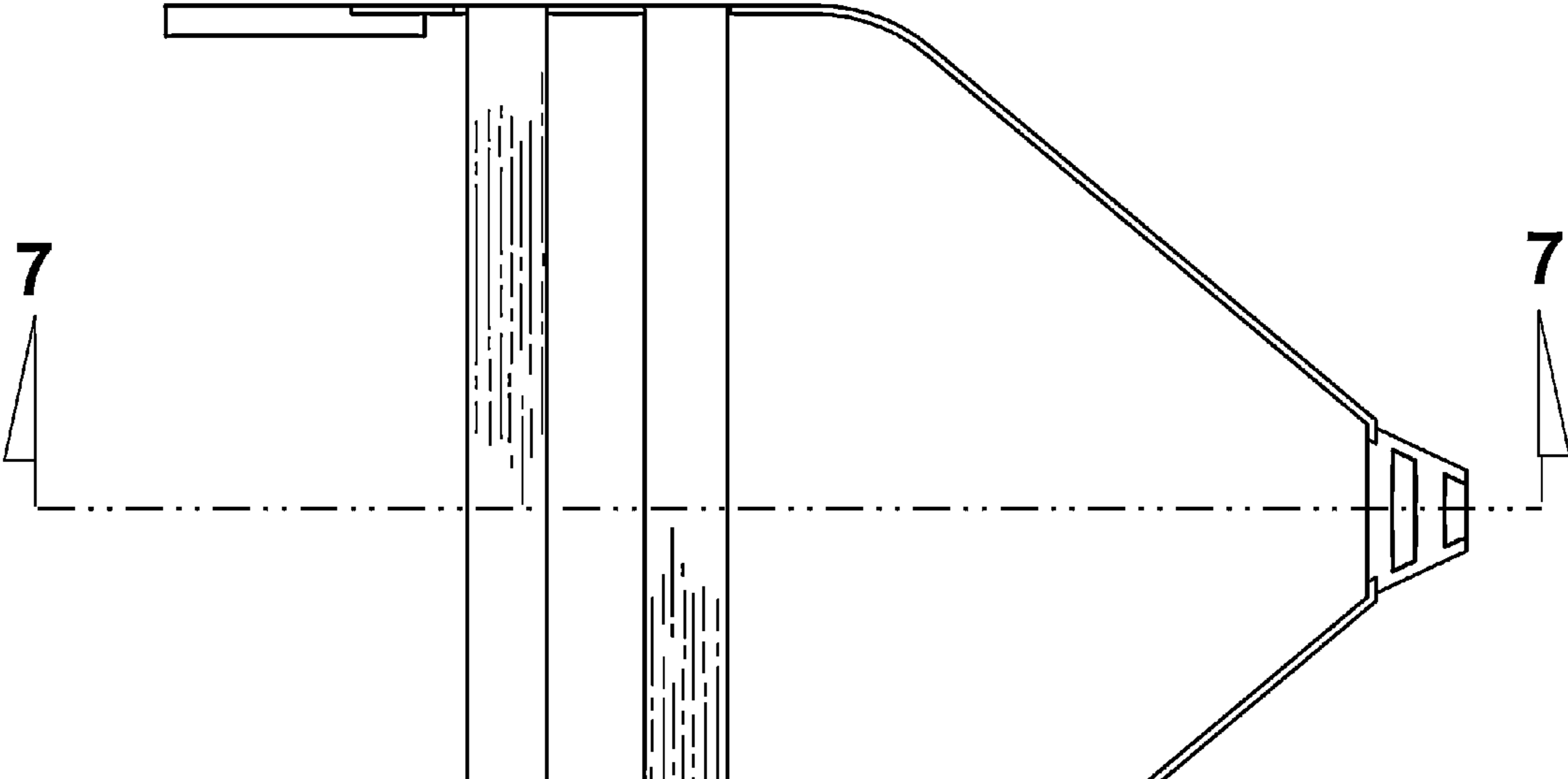


FIG. 4

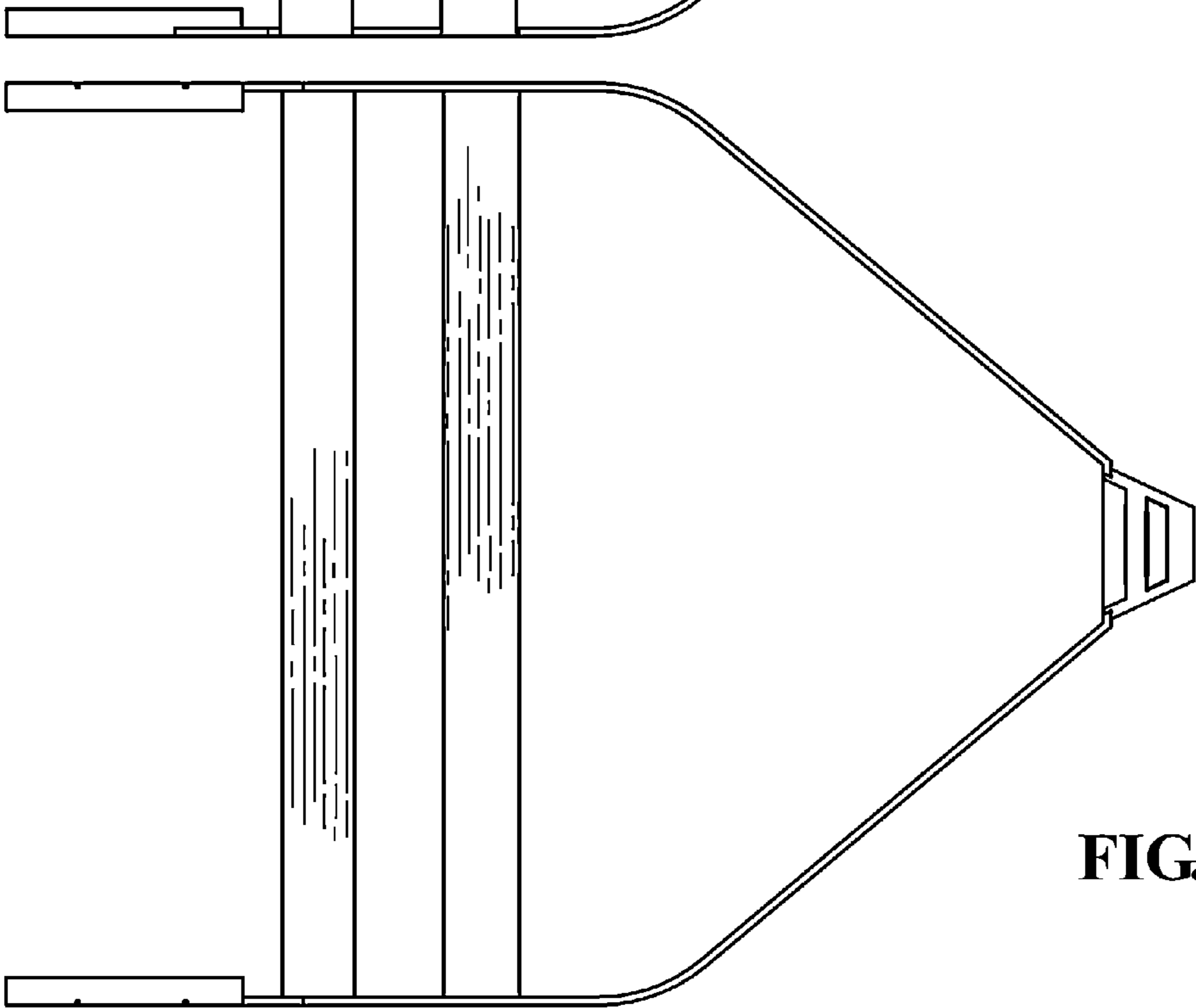


FIG. 5

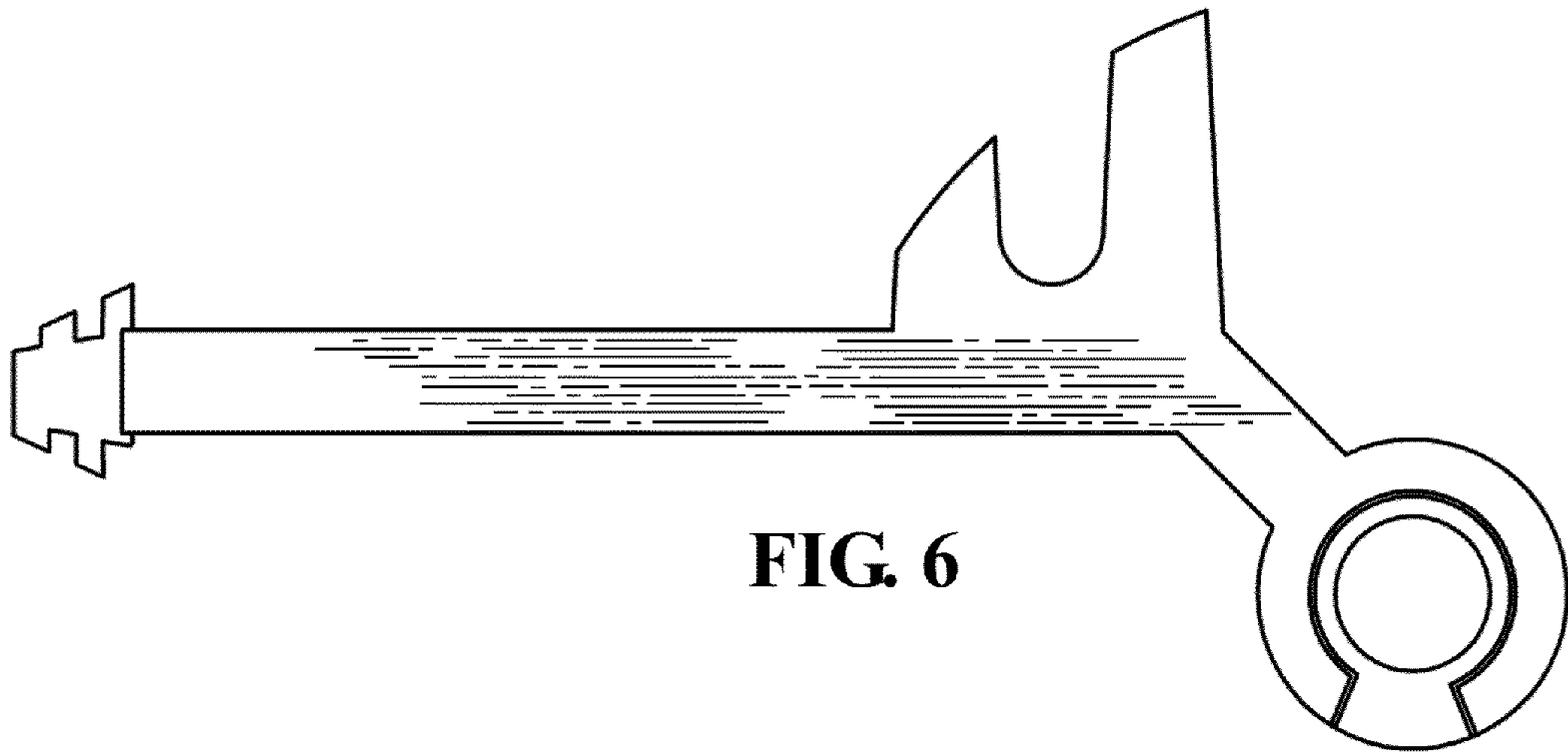


FIG. 6

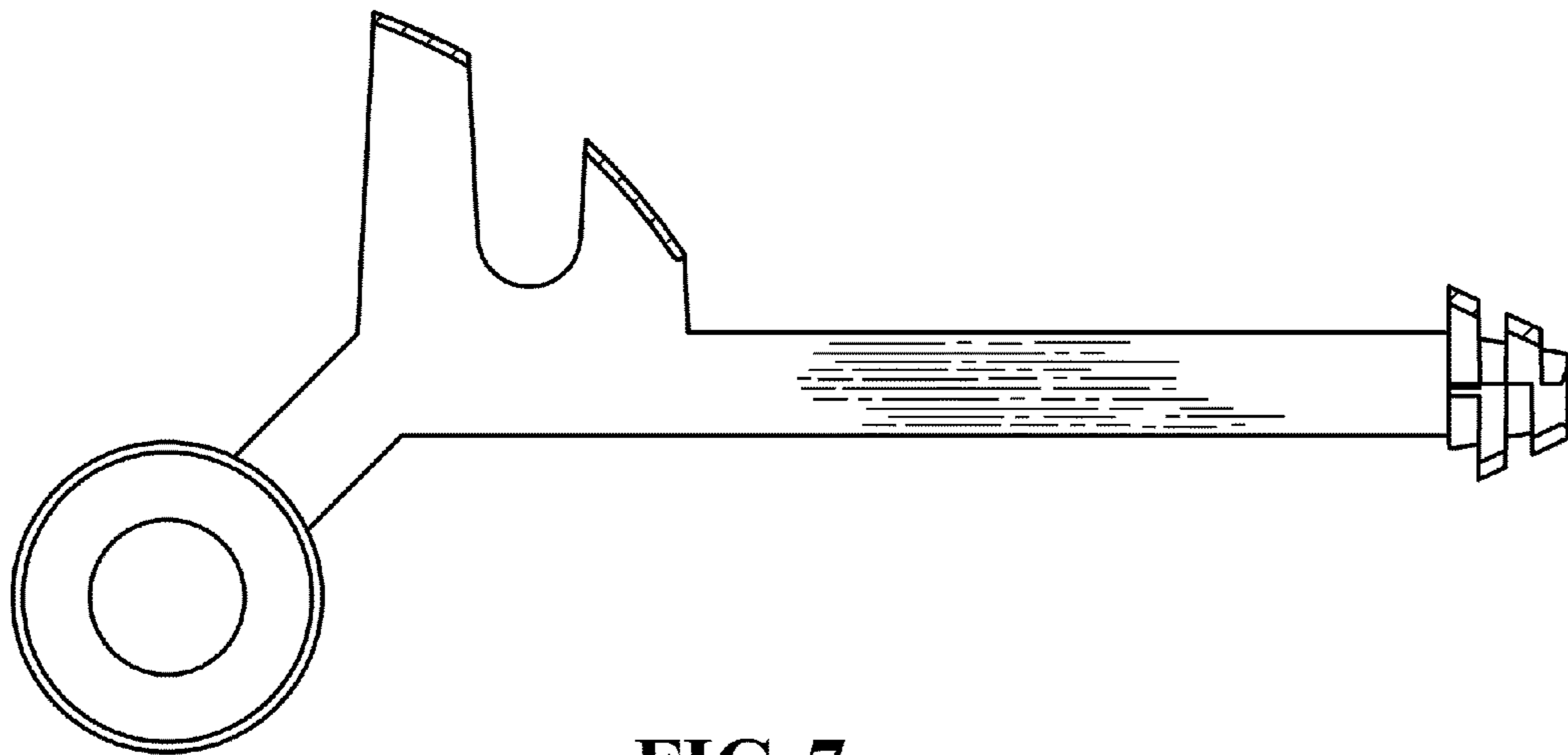


FIG. 7

