



US00D739716S

(12) **United States Design Patent**
Chen et al.

(10) **Patent No.:** **US D739,716 S**

(45) **Date of Patent:** **** Sep. 29, 2015**

(54) **WIRED CABLE MANAGEMENT DEVICE**

(71) Applicant: **ARCADYAN TECHNOLOGY CORPORATION**, Hsinchu (TW)

(72) Inventors: **Sheng-Chung Chen**, Hsinchu County (TW); **Shih- Hsin Huang**, Hsinchu (TW)

(73) Assignee: **ARCADYAN TECHNOLOGY CORPORATION**, Hsinchu (TW)

(**) Term: **14 Years**

(21) Appl. No.: **29/513,358**

(22) Filed: **Dec. 30, 2014**

(30) **Foreign Application Priority Data**

Jul. 29, 2014 (TW) 103304435

(51) **LOC (10) Cl.** **08-05**

(52) **U.S. Cl.**
USPC **D8/356**

(58) **Field of Classification Search**
USPC D8/367, 356, 349; D6/323; 248/301
CPC F16B 2/00; A63B 27/00
See application file for complete search history.

(56) **References Cited**

U.S. PATENT DOCUMENTS

5,806,139 A * 9/1998 Anderson et al. 16/2.1
6,149,164 A * 11/2000 Kreutz 277/628
6,259,034 B1 * 7/2001 Arthur 174/153 G

D502,864 S * 3/2005 Olson D8/356
D527,986 S * 9/2006 Johnson D8/354
D538,136 S * 3/2007 Barden et al. D8/356
D606,844 S * 12/2009 Glass et al. D8/356
D607,308 S * 1/2010 Moon D8/356
D649,017 S * 11/2011 Stieler D8/356
D670,995 S * 11/2012 Stieler D8/356
D707,635 S * 6/2014 Hagarty D13/156
D722,977 S * 2/2015 Hagarty D13/152
D722,978 S * 2/2015 Hagarty D13/152
D723,473 S * 3/2015 Hagarty D13/152
D731,293 S * 6/2015 Fretz D8/356
D735,560 S * 8/2015 Anderson et al. D8/356
2006/0200936 A1 * 9/2006 Gardner 16/2.1

* cited by examiner

Primary Examiner — Cynthia Underwood

(74) *Attorney, Agent, or Firm* — WPAT, PC; Justin King

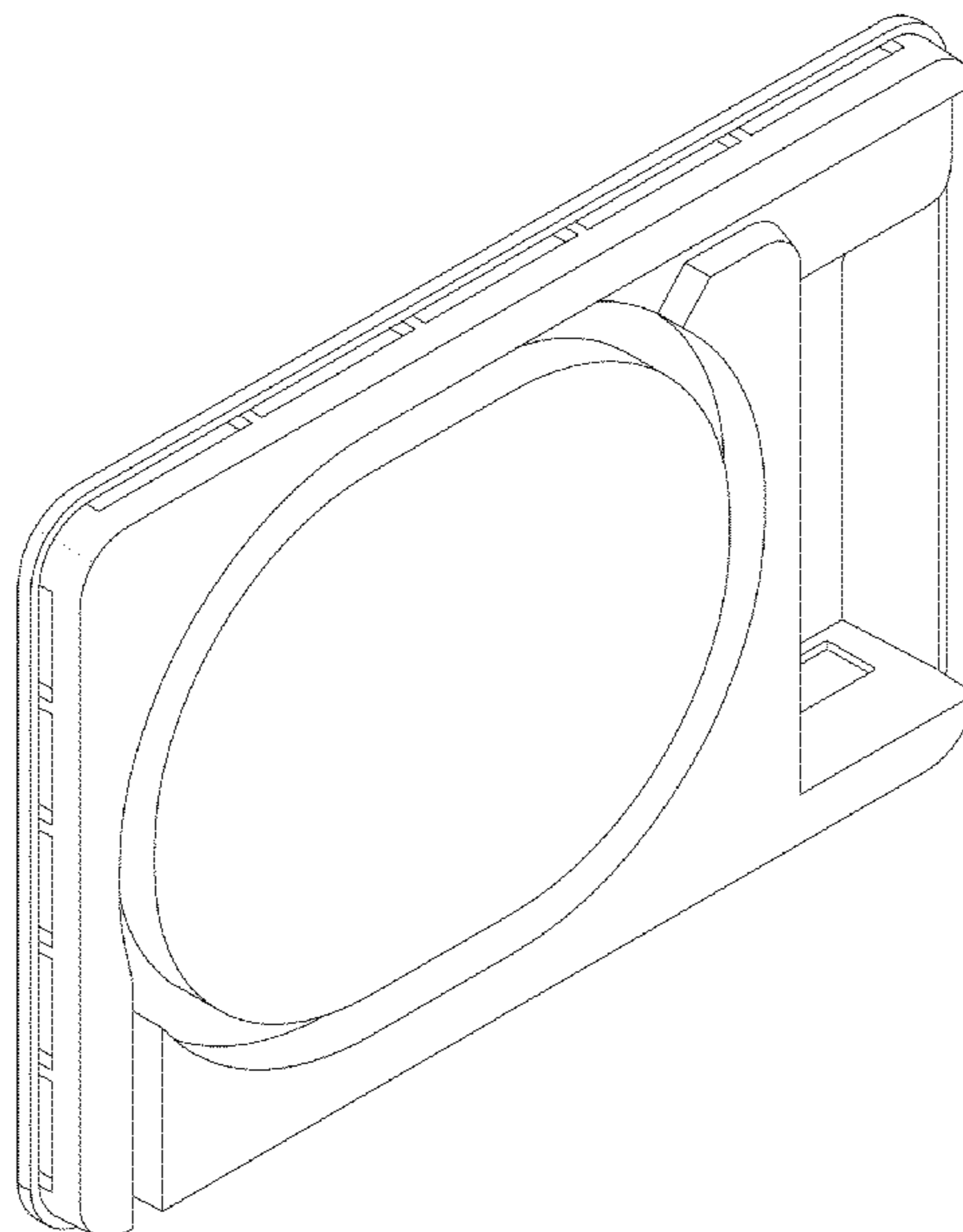
(57) **CLAIM**

The ornamental design for a wired cable management device, shown and described.

DESCRIPTION

FIG. 1 is a front perspective view of the wired cable management device showing my new design;
FIG. 2 is a front view thereof;
FIG. 3 is a back view thereof;
FIG. 4 is a left view thereof;
FIG. 5 is a right view thereof;
FIG. 6 is a top view thereof;
FIG. 7 is a bottom view thereof; and,
FIG. 8 is a back perspective view of the wired cable management device showing my new design.

1 Claim, 6 Drawing Sheets



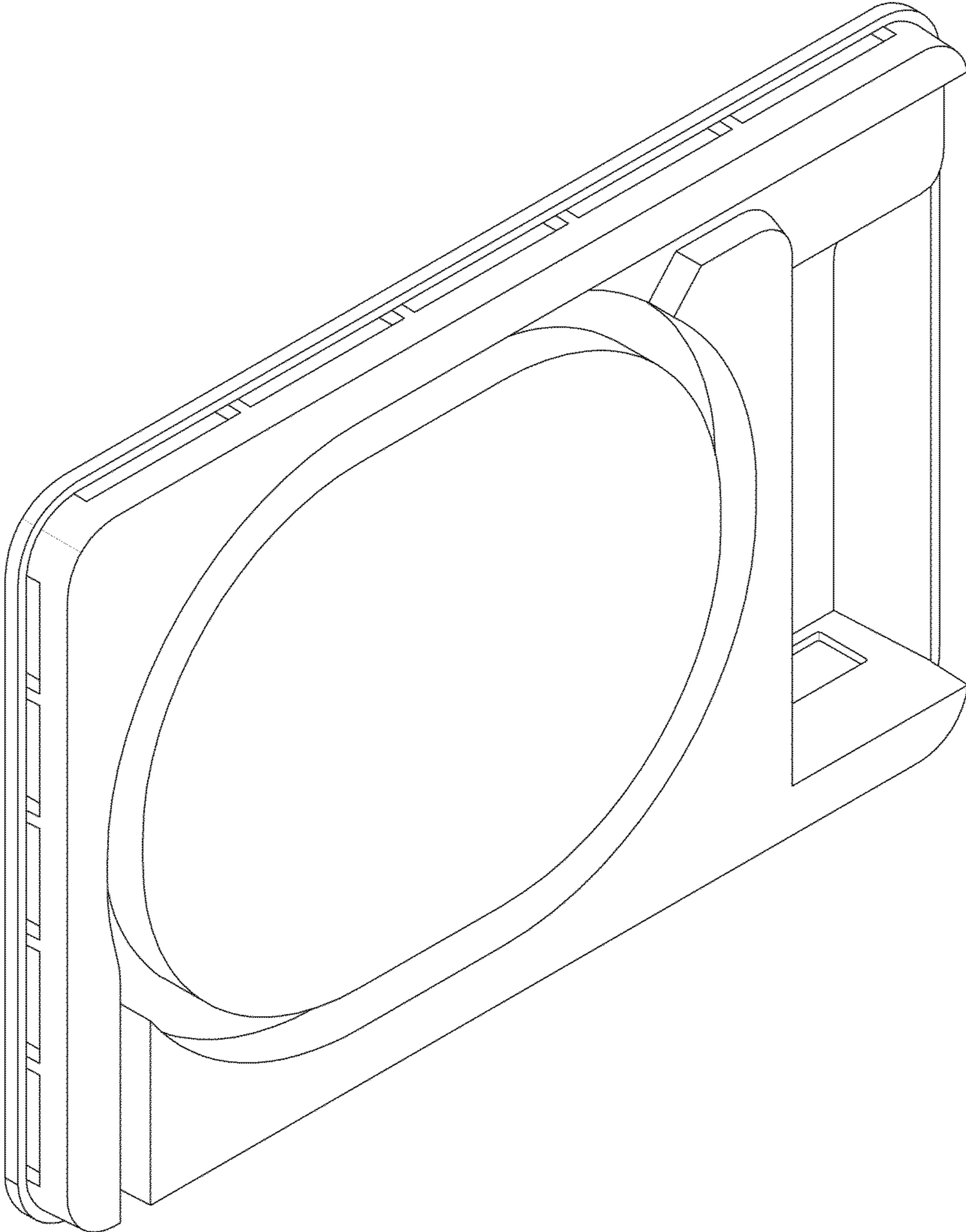


FIG. 1

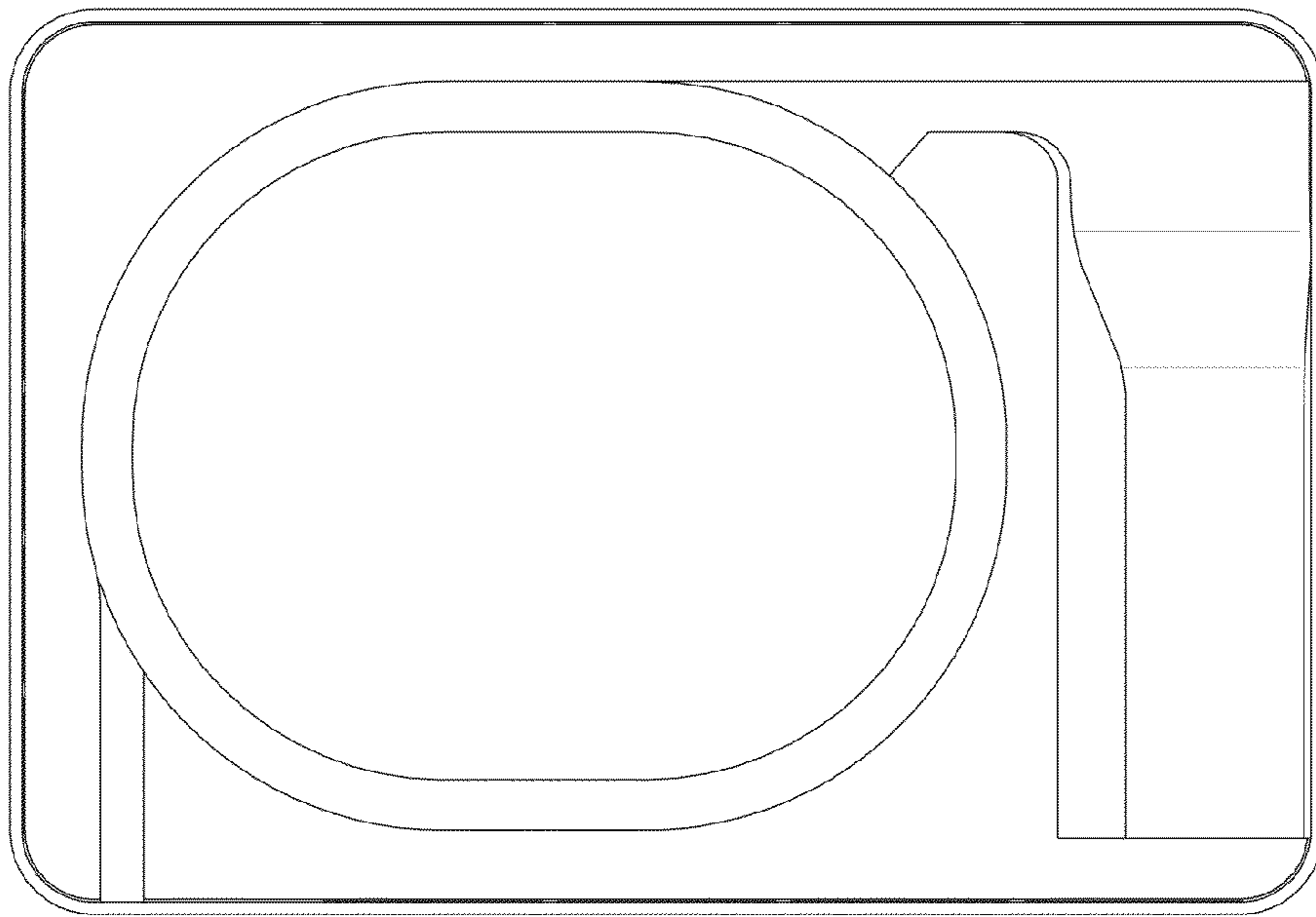


FIG. 2

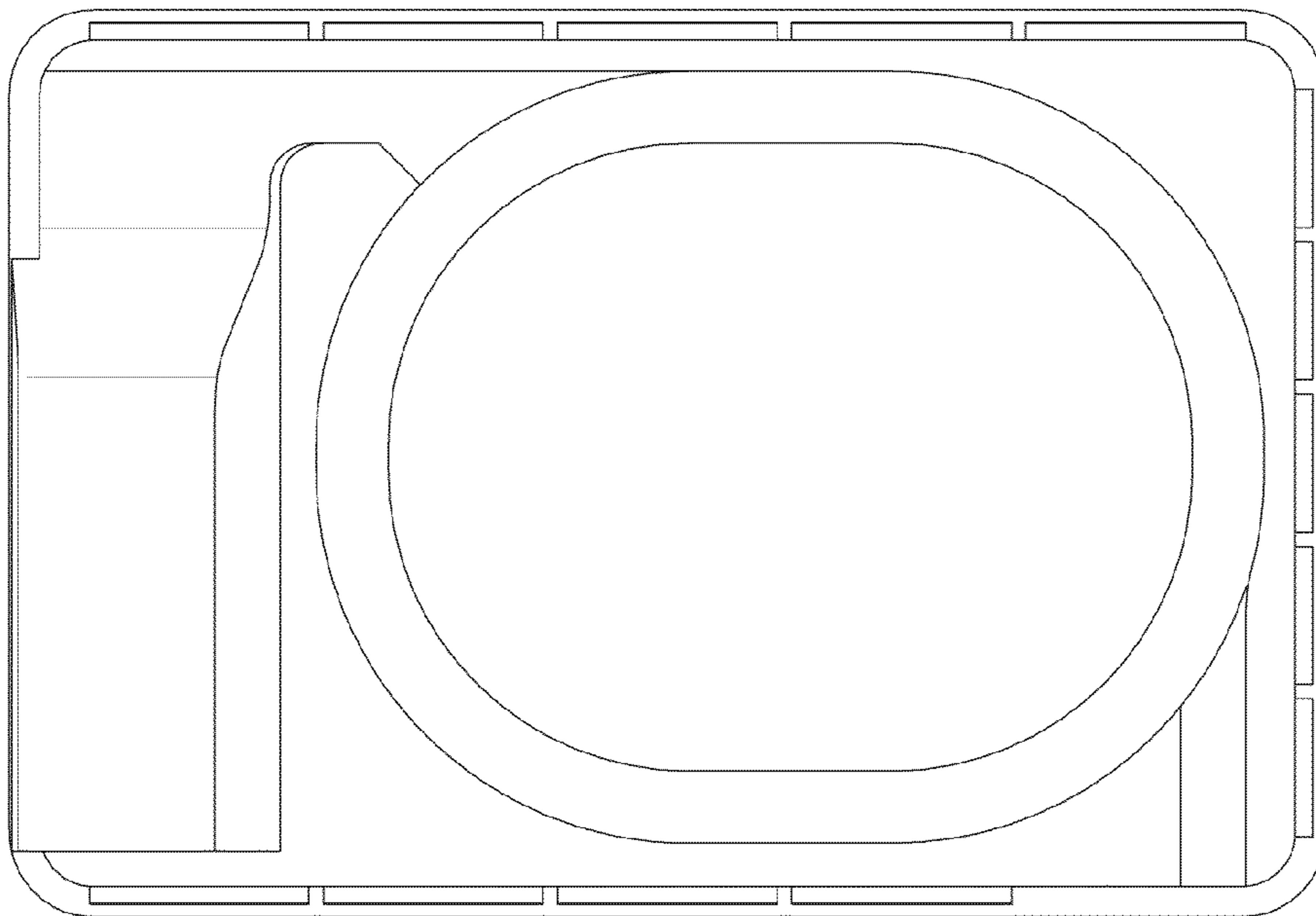


FIG. 3

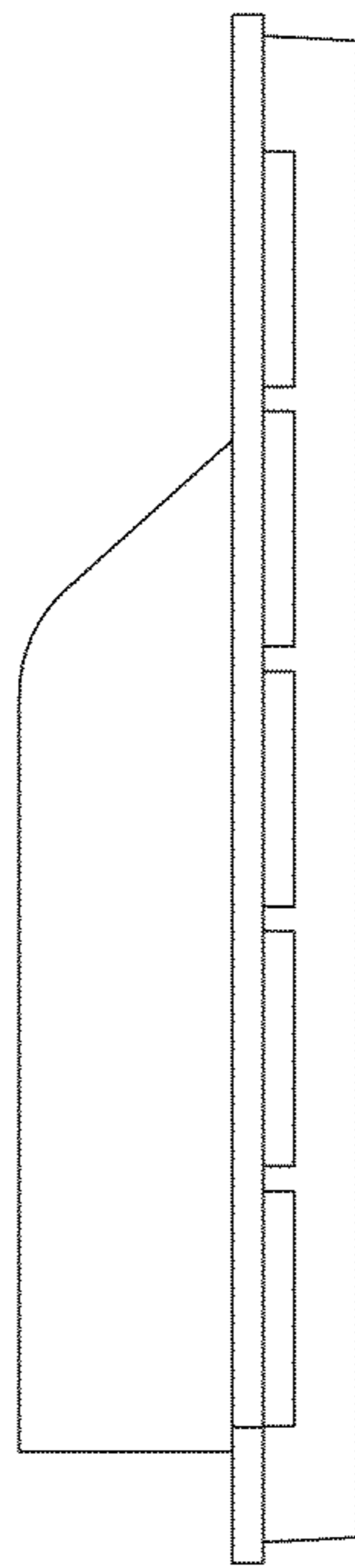


FIG. 4

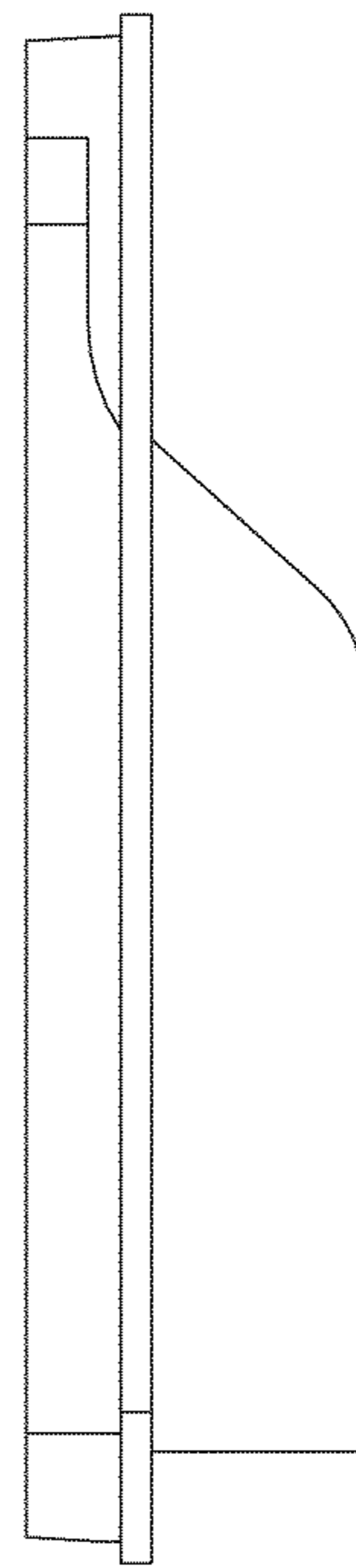


FIG. 5

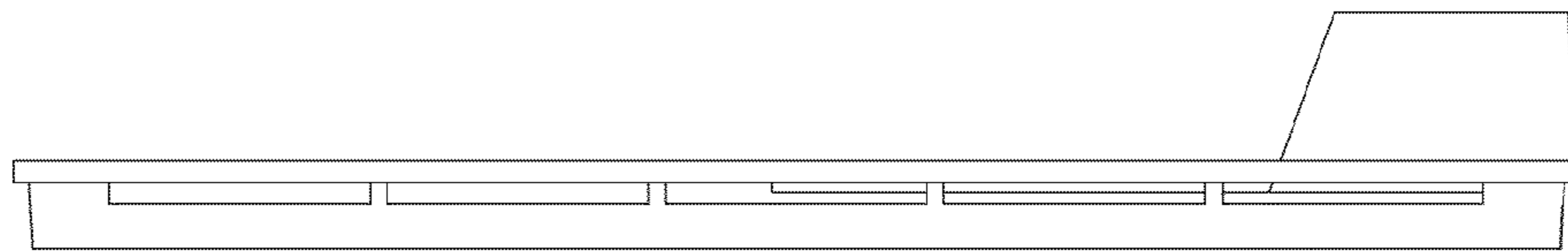


FIG. 6

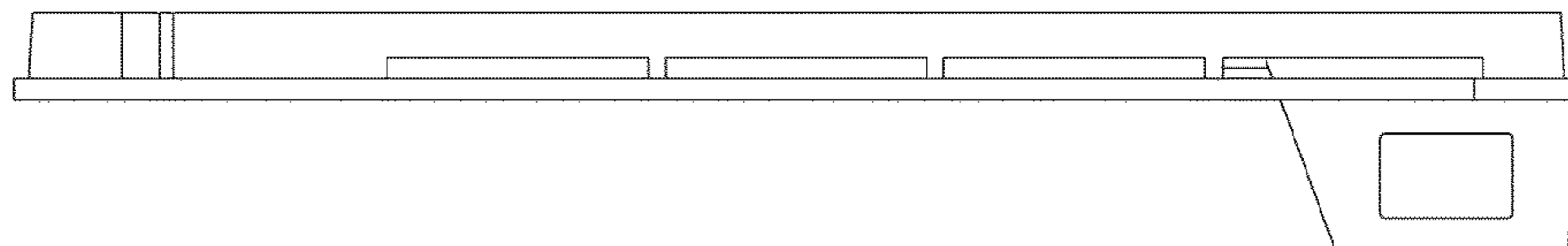


FIG. 7

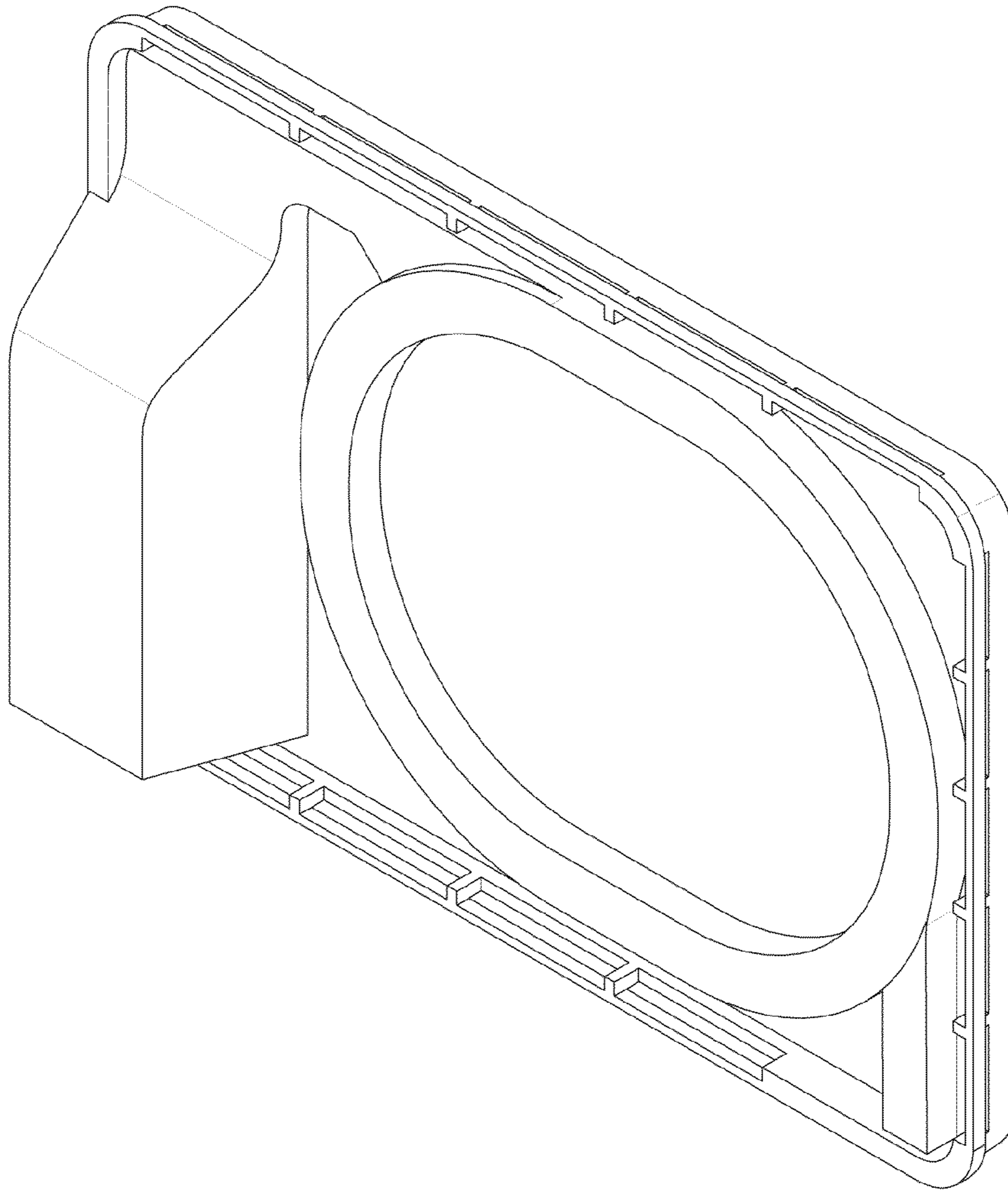


FIG. 8