



US00D739715S

(12) **United States Design Patent**
Gradwohl et al.

(10) **Patent No.:** **US D739,715 S**

(45) **Date of Patent:** **** Sep. 29, 2015**

(54) **HOSE REEL**

(71) Applicant: **Kärcher North America, Inc.,**
Englewood, CO (US)

(72) Inventors: **Jerry G. Gradwohl**, Vancouver, WA
(US); **Zhak A. Polovin**, Vancouver, WA
(US); **Alberto Espinoza**, Guadalupe
(MX)

(73) Assignee: **Kärcher North America, Inc.,**
Englewood, CO (US)

6,079,675	A *	6/2000	Hsu	248/75
D435,782	S *	1/2001	Thomas	D8/356
D436,020	S *	1/2001	Thomas	D8/356
D442,444	S *	5/2001	Bowling et al.	D8/1
D459,194	S *	6/2002	Johansson et al.	D8/356
D462,254	S *	9/2002	Wright et al.	D8/356
D462,603	S *	9/2002	Wright et al.	D8/356
D474,396	S *	5/2003	Tisbo et al.	D8/356
6,637,454	B1	10/2003	Eley	
D554,979	S *	11/2007	Hsu	D8/356
D559,085	S *	1/2008	Yu	D8/358
7,344,103	B1	3/2008	Eley	
D570,573	S *	6/2008	Arcati et al.	D34/24

(Continued)

(**) Term: **14 Years**

OTHER PUBLICATIONS

(21) Appl. No.: **29/510,841**

“Free Standing Swivel hose Reel,” Home Depot, © 2013, 2 pages
[retrieved from: <http://www.homedepot.com/p/Lewis-Tools-Free-Standing-Swivel-Hose-Reel-100505390/202494215>].

(22) Filed: **Dec. 3, 2014**

(51) **LOC (10) Cl.** **08-05**

(52) **U.S. Cl.**

USPC **D8/356**

(58) **Field of Classification Search**

USPC D8/367, 354, 349, 373, 372, 371, 356,
D8/353; D6/323; 248/301, 302, 303, 304,
248/339, 205.3, 544; 294/209, 24, 2, 210,
294/211; 403/53, 91, 97; 604/179

CPC F16B 2/00; A63B 27/00

See application file for complete search history.

Primary Examiner — Cynthia Underwood

(74) *Attorney, Agent, or Firm* — Sheridan Ross P.C.

(57)

CLAIM

The ornamental design for a hose reel, as shown and described.

DESCRIPTION

FIG. 1 is a front perspective view of the hose reel;

FIG. 2 is a front elevation view thereof;

FIG. 3 is a rear elevation view thereof;

FIG. 4 is a right elevation view thereof;

FIG. 5 is a left elevation view thereof;

FIG. 6 is a top plan view thereof; and,

FIG. 7 is a bottom plan view thereof.

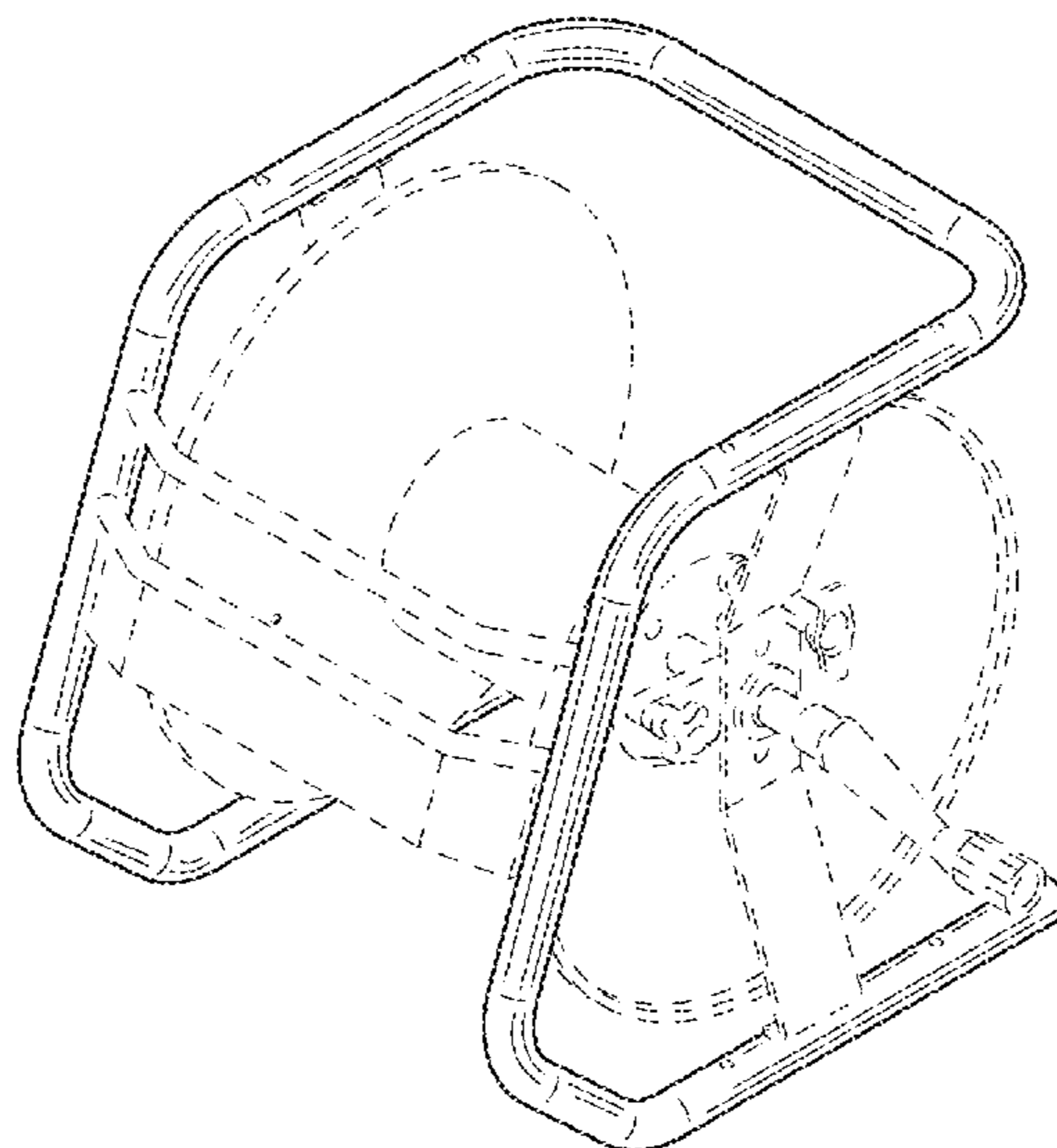
The broken lines showing a hose reel are included for the purpose of illustrating environment and form no part of the claimed design.

(56) **References Cited**

U.S. PATENT DOCUMENTS

383,699	A	5/1888	Bruegger, Jr.	
3,472,456	A	10/1969	Strong	
4,669,145	A	6/1987	Kehr	
5,109,882	A	5/1992	Eley	
5,179,972	A	1/1993	Eley	
D341,767	S *	11/1993	Brueske	D8/356
5,303,866	A	4/1994	Hawks, Jr.	
5,330,121	A	7/1994	Eley	
5,636,648	A	6/1997	O'Brien et al.	
5,676,402	A	10/1997	Eley et al.	

1 Claim, 4 Drawing Sheets



(56)

References Cited

U.S. PATENT DOCUMENTS

7,389,790	B1	6/2008	Eley et al.	
D590,566	S *	4/2009	Arcati et al.	D34/24
D607,308	S *	1/2010	Moon	D8/356
D621,119	S *	8/2010	Spadotto	D34/14
D636,253	S *	4/2011	Hatcher et al.	D8/356
D661,571	S *	6/2012	Vogler et al.	D8/358
D664,026	S *	7/2012	Zalzalalah	D8/359
D669,341	S *	10/2012	Hernandez	D8/356
8,403,250	B1 *	3/2013	Callahan	242/403.1
D701,447	S *	3/2014	Allen	D8/356
D704,408	S *	5/2014	Loudon et al.	D34/14
D714,127	S *	9/2014	Zavala	D8/356
2007/0114319	A1	5/2007	Anderson et al.	

OTHER PUBLICATIONS

“Gardena Wall-Mounted Automatic Retractable hose Reel,” The Green Head, 2014, 3 pages [retrieved on Jan. 6, 2015 from: <https://web.archive.org/web/20140122110658/http://www.thegreenhead.com/2013/05/gardena-wall-mounted-automatic-retractable-hose-reel.php>].

“Legacy Hose Reels,” Spraymart Pressure Supply, 2010, 1 page.

“ReelCraft Hose Reel Spring Driven Wall Mount With 50ft of hose,” A.M. Leonard™, 2012, 2 pages [retrieved from: <http://www.amleo.com/reelcraft-hose-reel-spring-driven-wall-mount-with-50ft-of-hose/p/SGA3850/>].

* cited by examiner

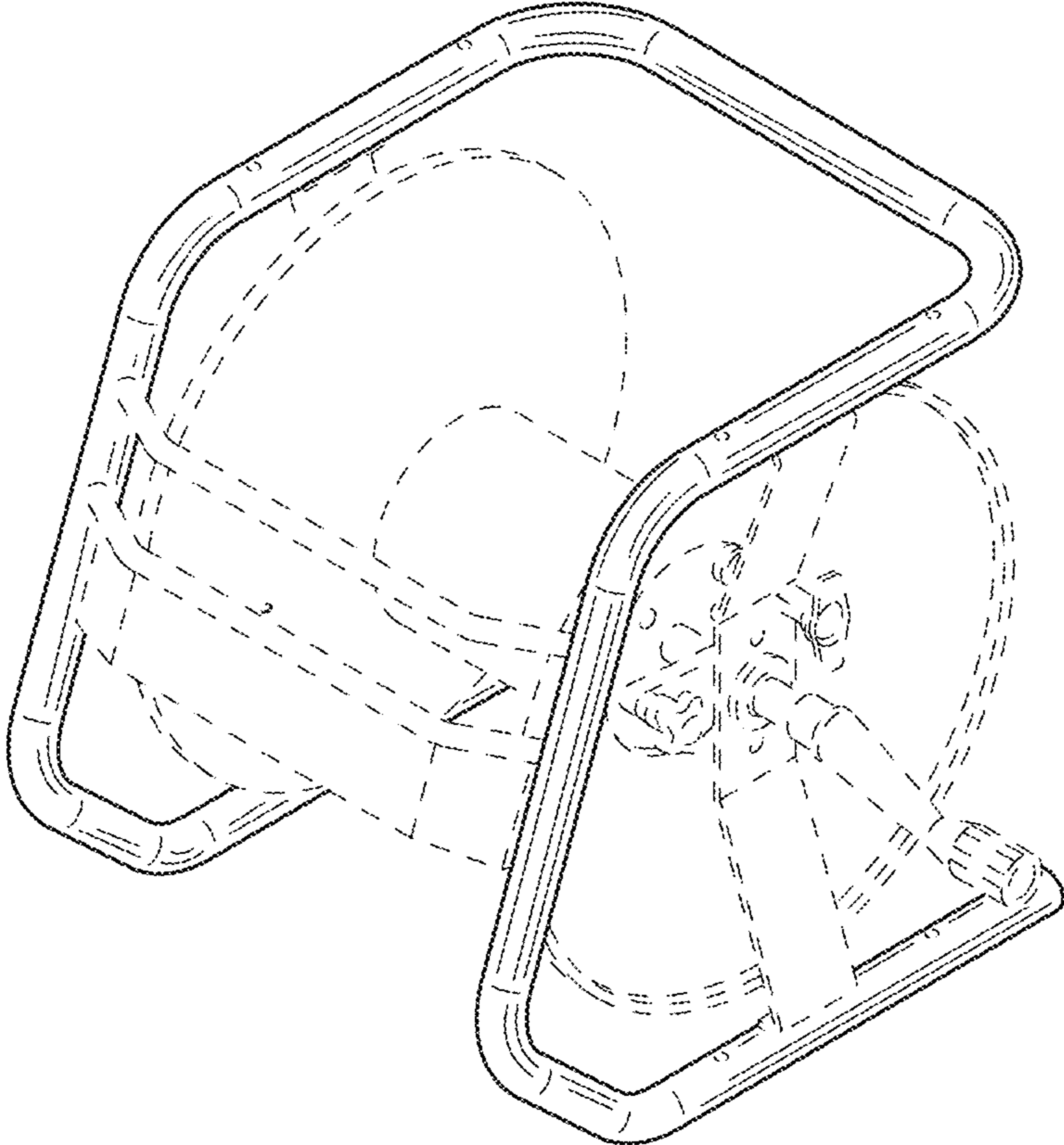


FIG.1

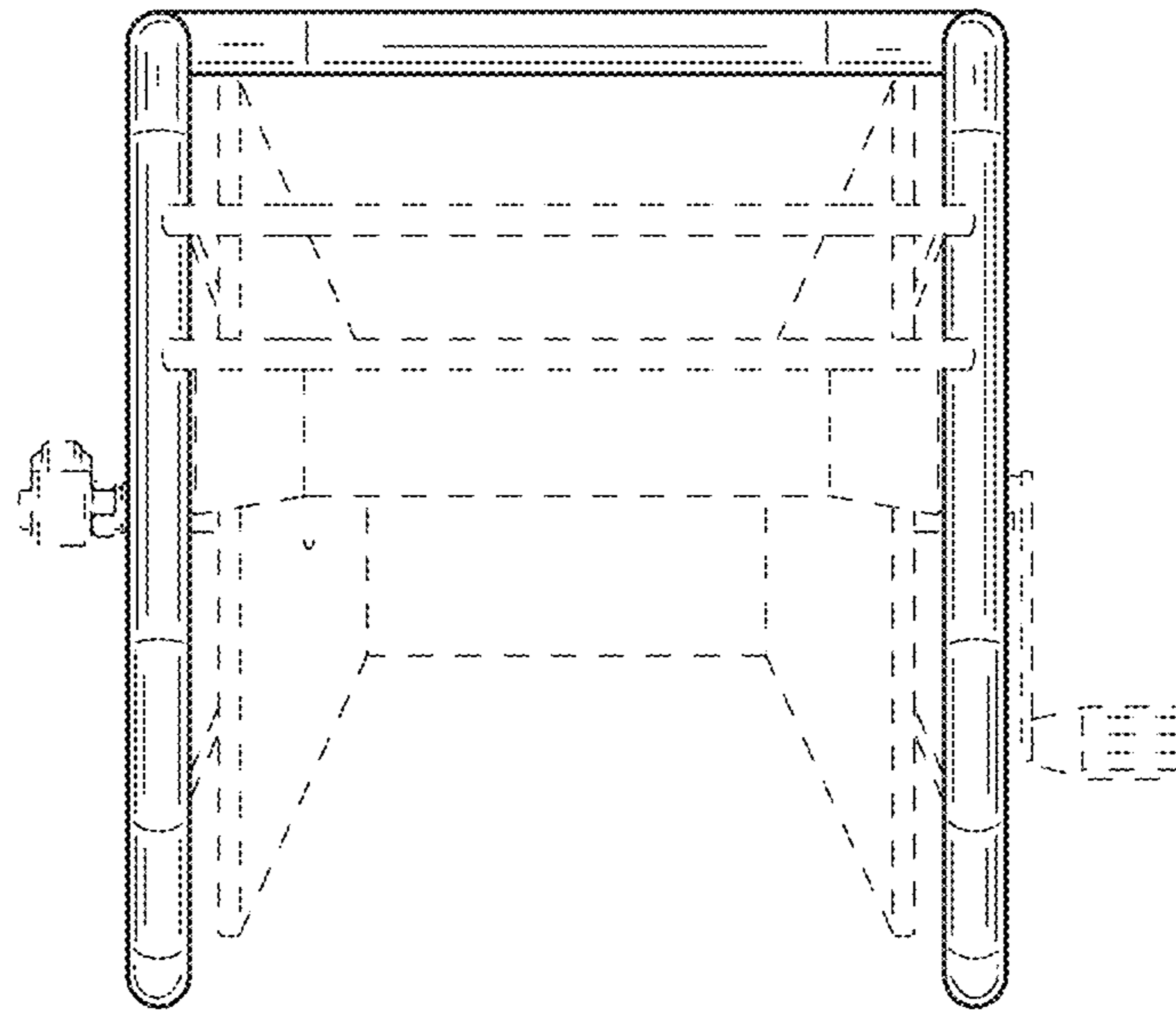


FIG. 2

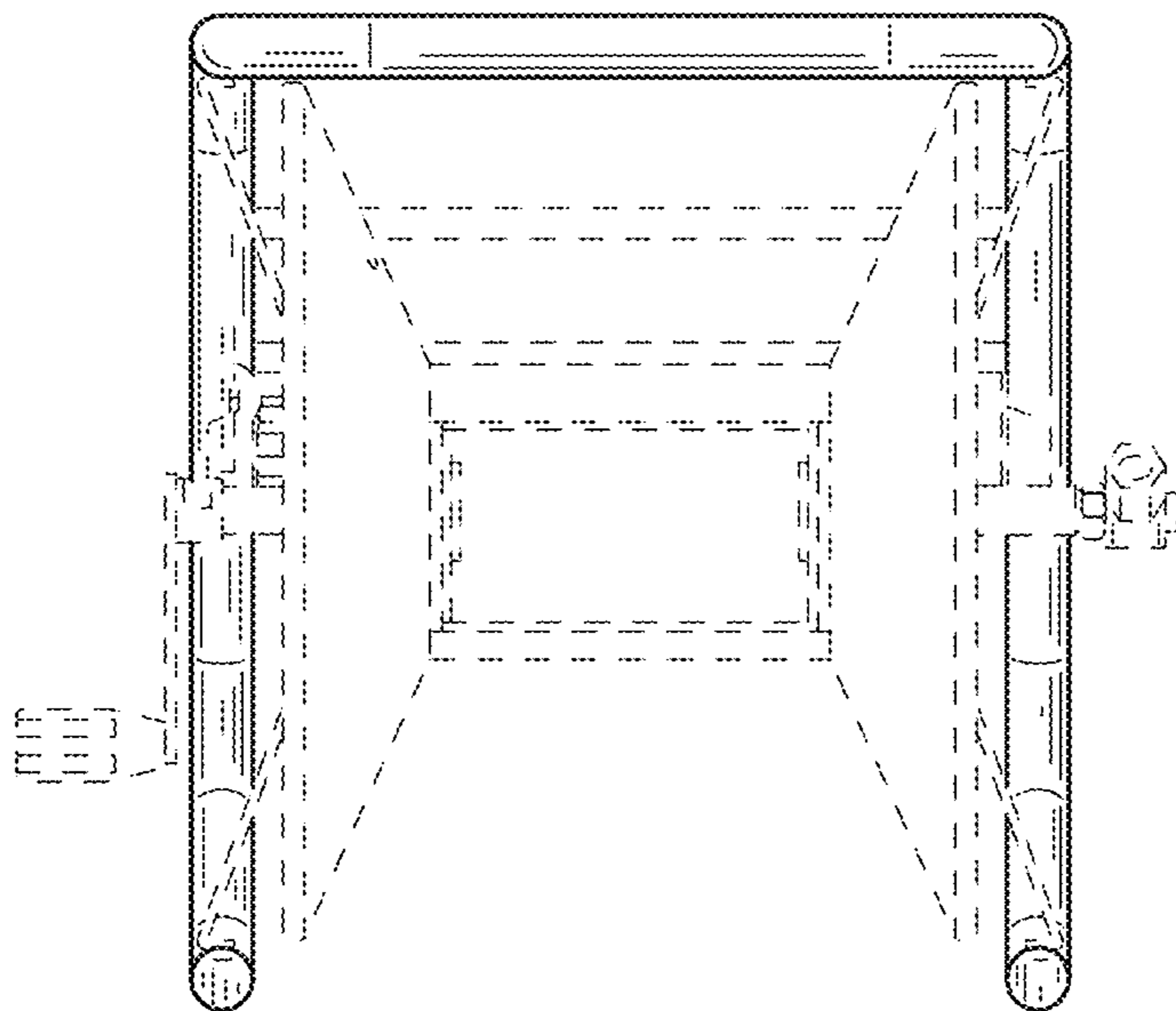


FIG. 3

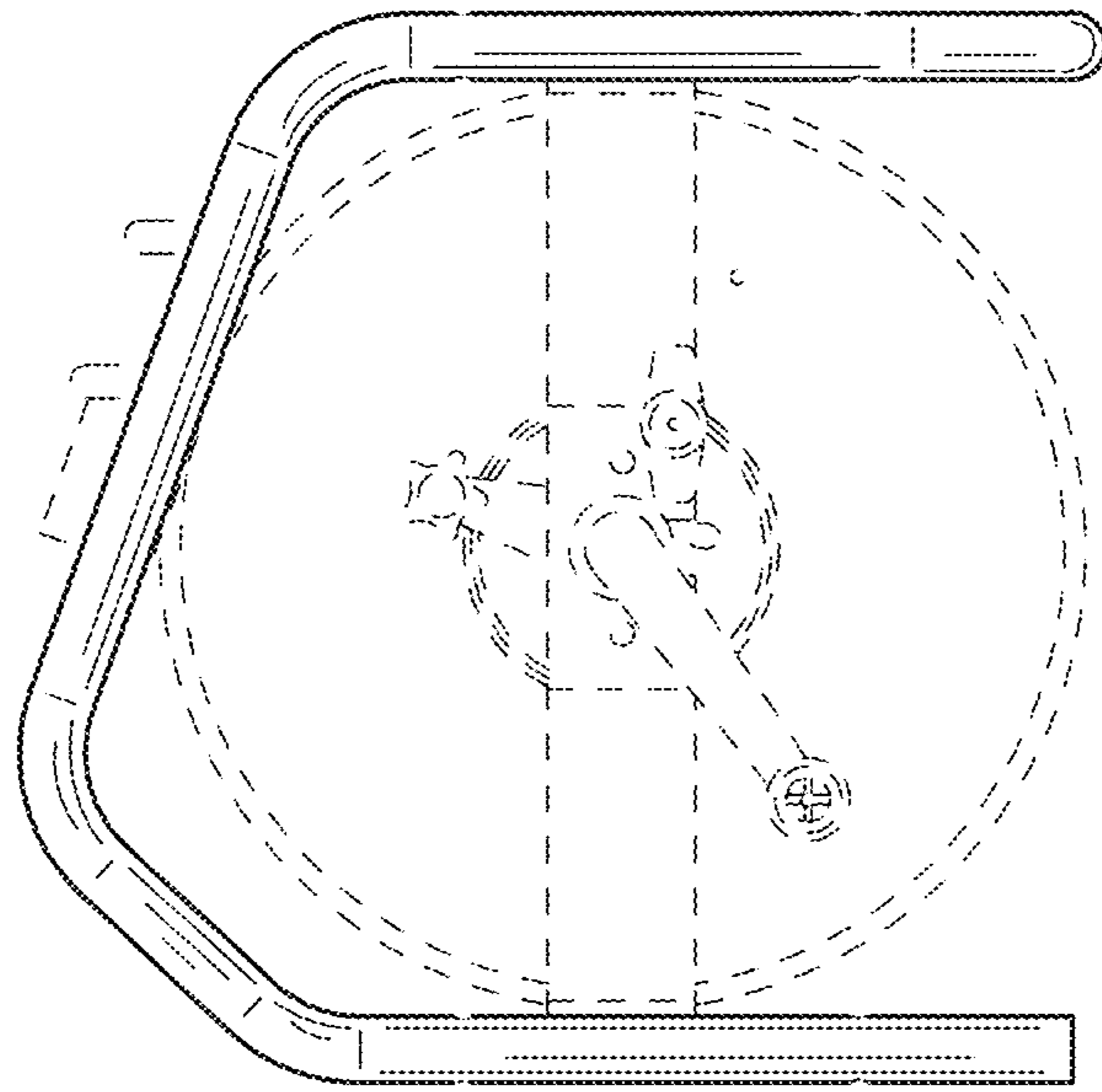


FIG. 4

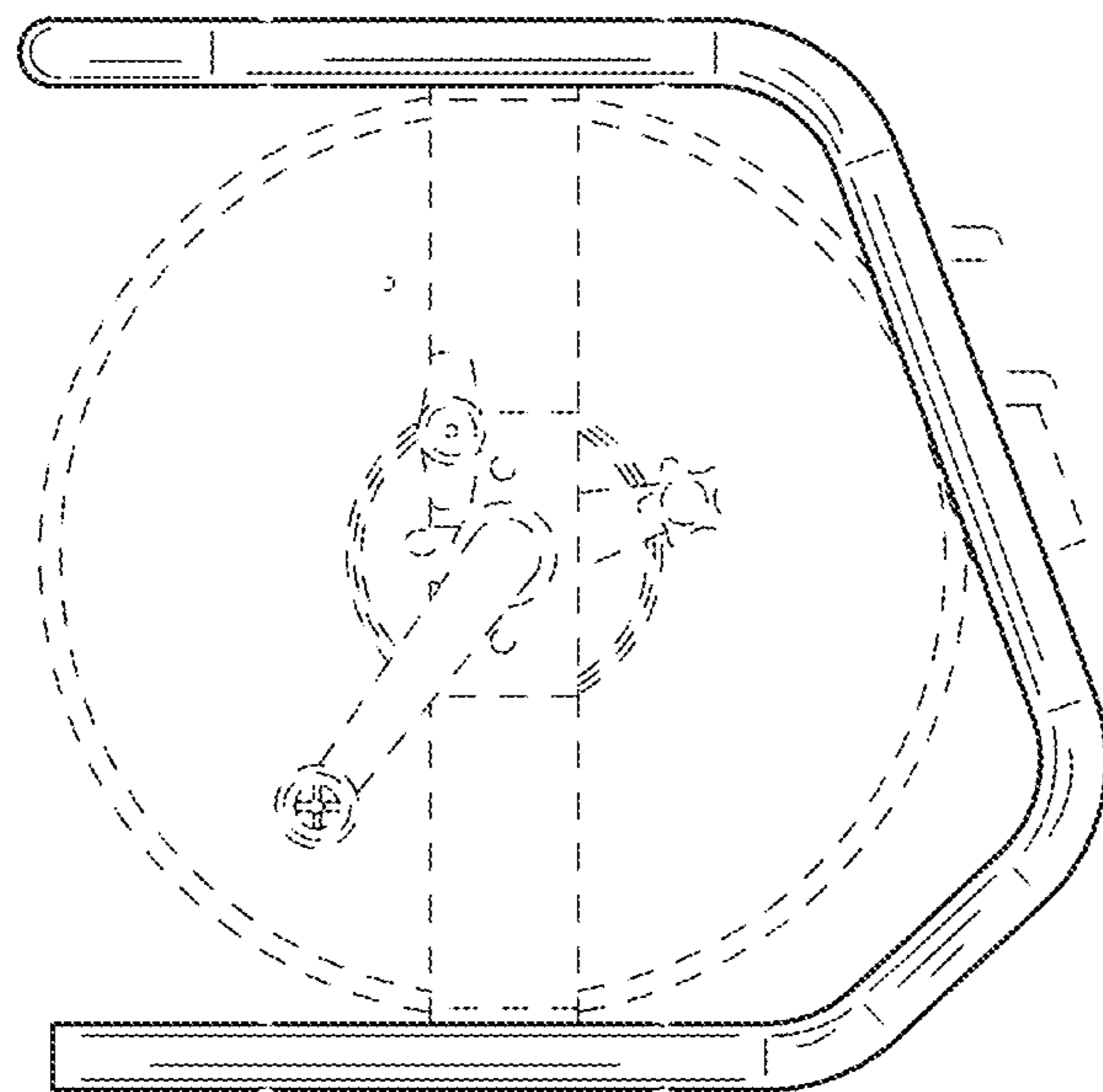


FIG. 5

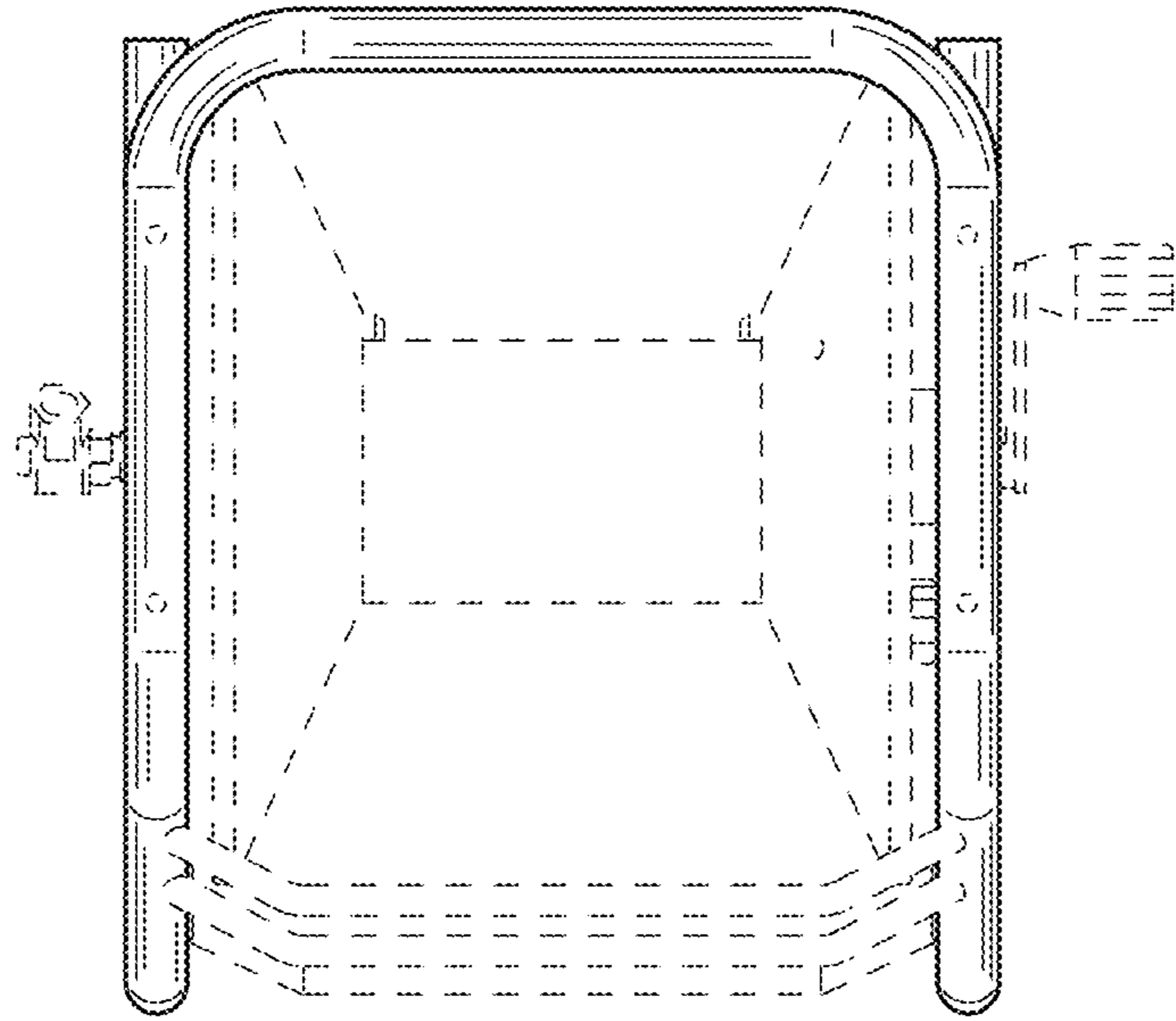


FIG. 6

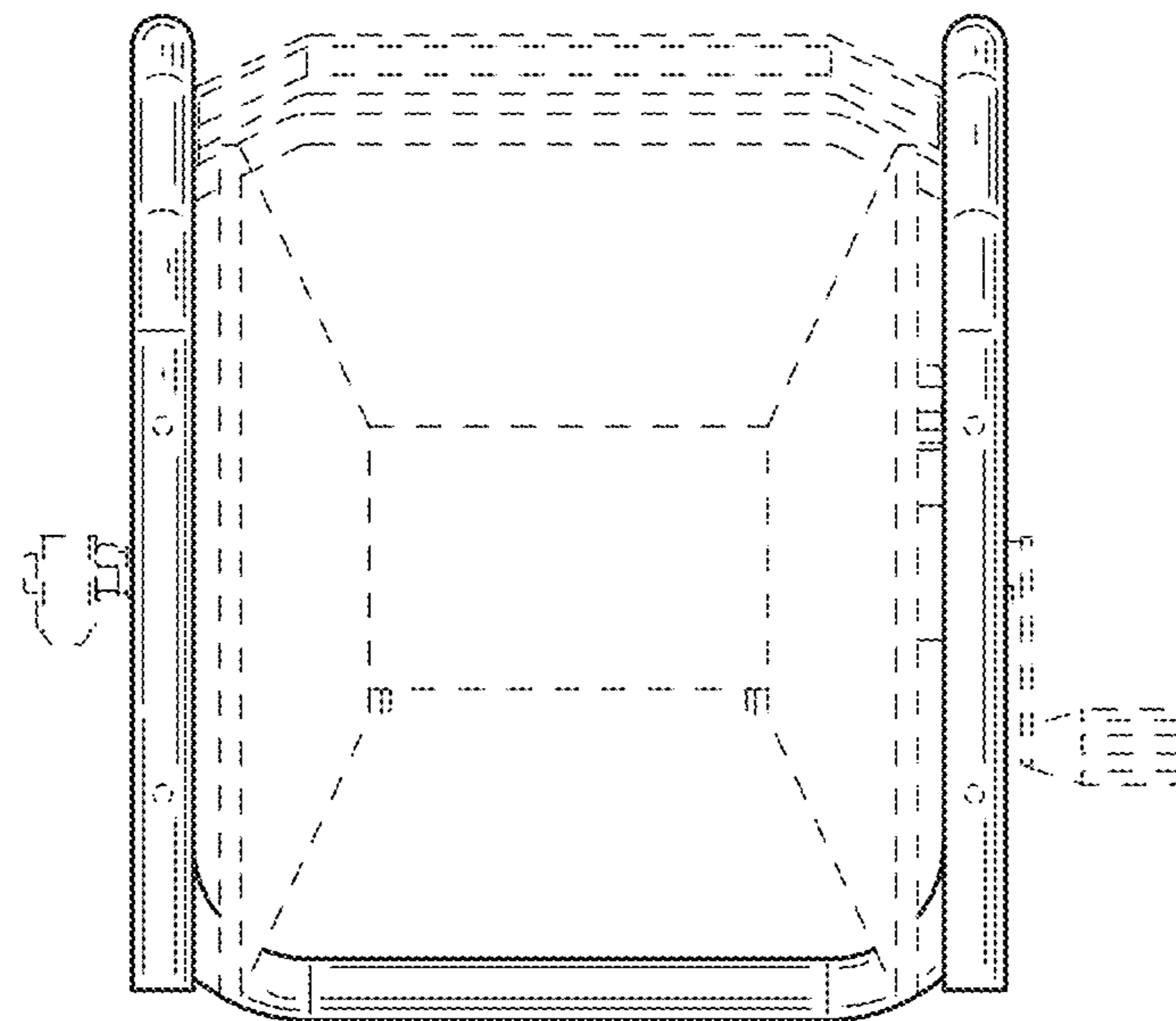


FIG. 7