

US00D739712S

(12) **United States Design Patent**
Wadey et al.

(10) **Patent No.:** **US D739,712 S**

(45) **Date of Patent:** **** Sep. 29, 2015**

(54) **MOUNTING DEVICE**

(71) Applicants: **Brian Wadey**, Sumner, WA (US);
Steven Anthony Ouimet, Bonney Lake,
WA (US); **Marcos Oquendo**, Miami, FL
(US); **Elizabeth Oquendo**, Miami, FL
(US)

(72) Inventors: **Brian Wadey**, Sumner, WA (US);
Steven Anthony Ouimet, Bonney Lake,
WA (US); **Marcos Oquendo**, Miami, FL
(US); **Elizabeth Oquendo**, Miami, FL
(US)

(**) Term: **14 Years**

(21) Appl. No.: **29/479,234**

(22) Filed: **Jan. 14, 2014**

(51) **LOC (10) Cl.** **08-05**

(52) **U.S. Cl.**
USPC **D8/356**

(58) **Field of Classification Search**
USPC 385/78, 81, 60, 115, 135; 29/428;
398/115; D8/356, 354, 349
See application file for complete search history.

(56) **References Cited**

U.S. PATENT DOCUMENTS

D556,017 S * 11/2007 Hutter, III D8/354
D596,577 S * 7/2009 Asano et al. D13/147

D605,127 S * 12/2009 Yasuda et al. D13/147
D658,486 S * 5/2012 Hecht et al. D8/354
D666,473 S * 9/2012 Despotellis D8/354
D666,895 S * 9/2012 Despotellis D8/354
D691,461 S * 10/2013 Waugh et al. D8/354
D698,377 S * 1/2014 McGaughy D15/141
D705,168 S * 5/2014 Yamauchi et al. D13/133
D717,157 S * 11/2014 Widdows et al. D8/356
D722,567 S * 2/2015 Lee et al. D13/147

* cited by examiner

Primary Examiner — Cynthia Underwood

(74) *Attorney, Agent, or Firm* — Mark T. Vogelbacker; Reed
Smith LLP

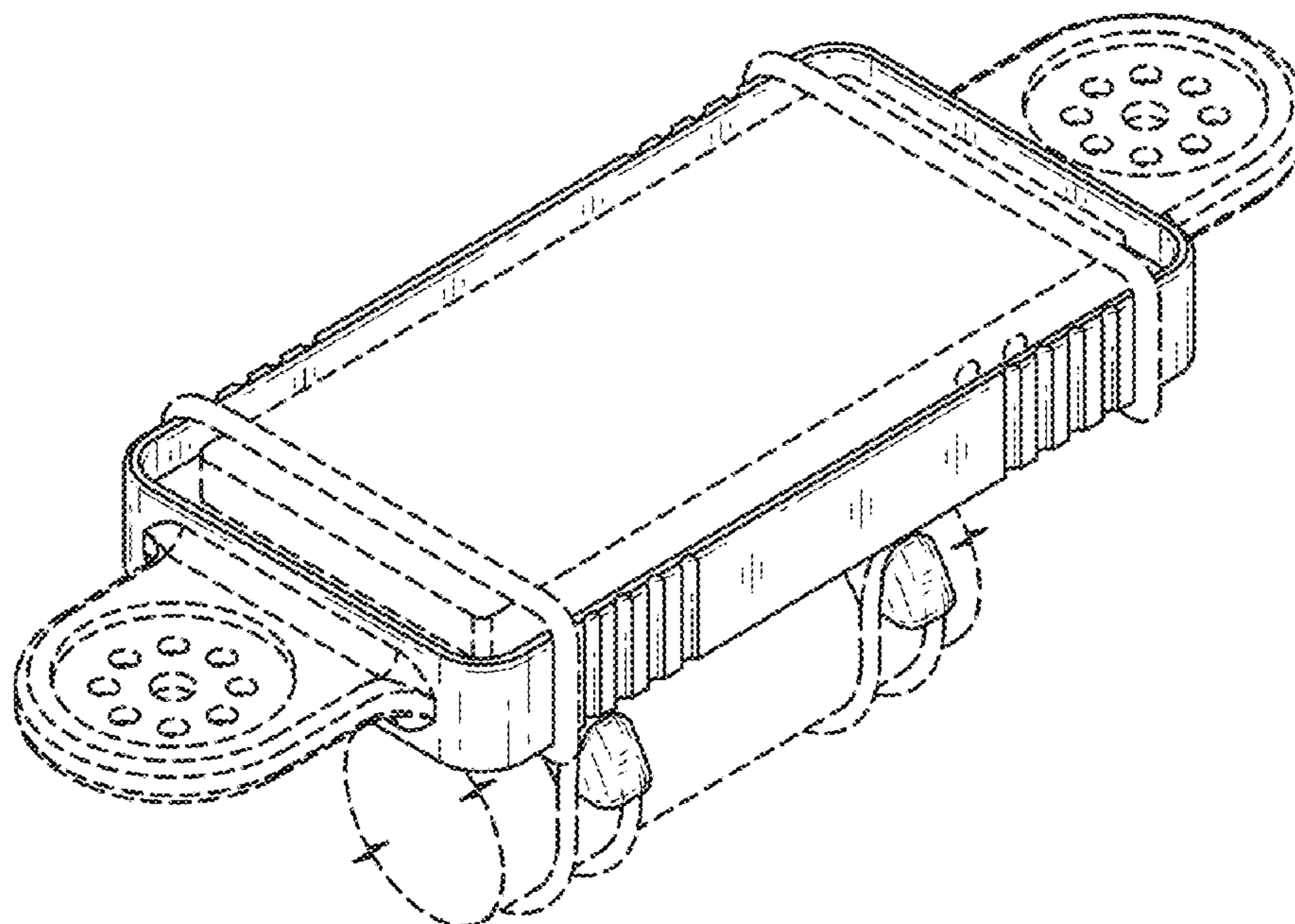
(57) **CLAIM**

The ornamental design for a mounting device, as shown and
described.

DESCRIPTION

FIG. 1 is a perspective view of a mounting device in accor-
dance with our new design;
FIG. 2 is a front elevation view thereof, wherein the rear
elevation view is a mirror image thereof;
FIG. 3 is a top plan view thereof
FIG. 4 is a bottom plan view thereof; and,
FIG. 5 is a side elevation view thereof.
The broken lines in the figures illustrate environmental struc-
ture only and form no part of the claimed design.

1 Claim, 2 Drawing Sheets



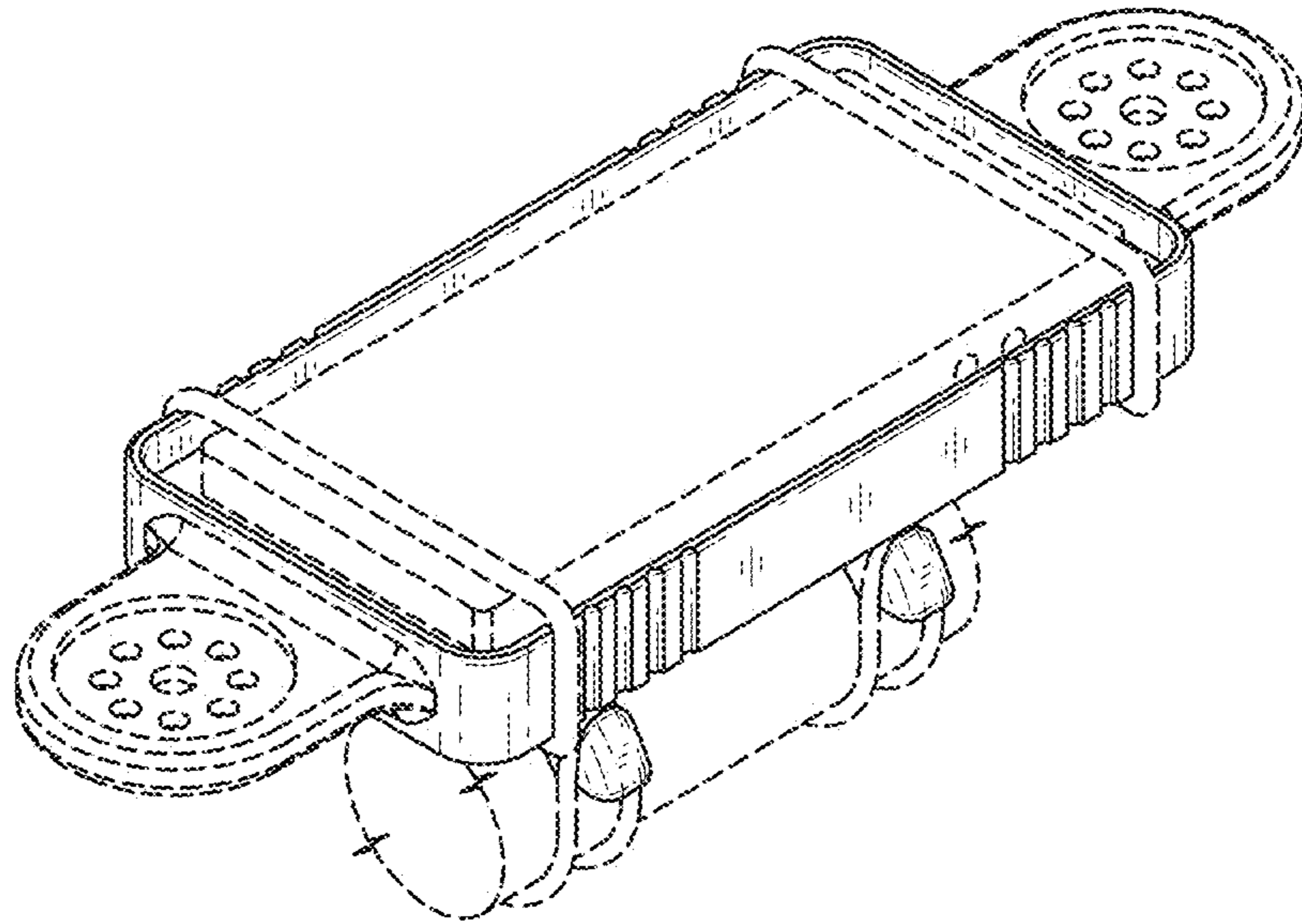


Fig. 1

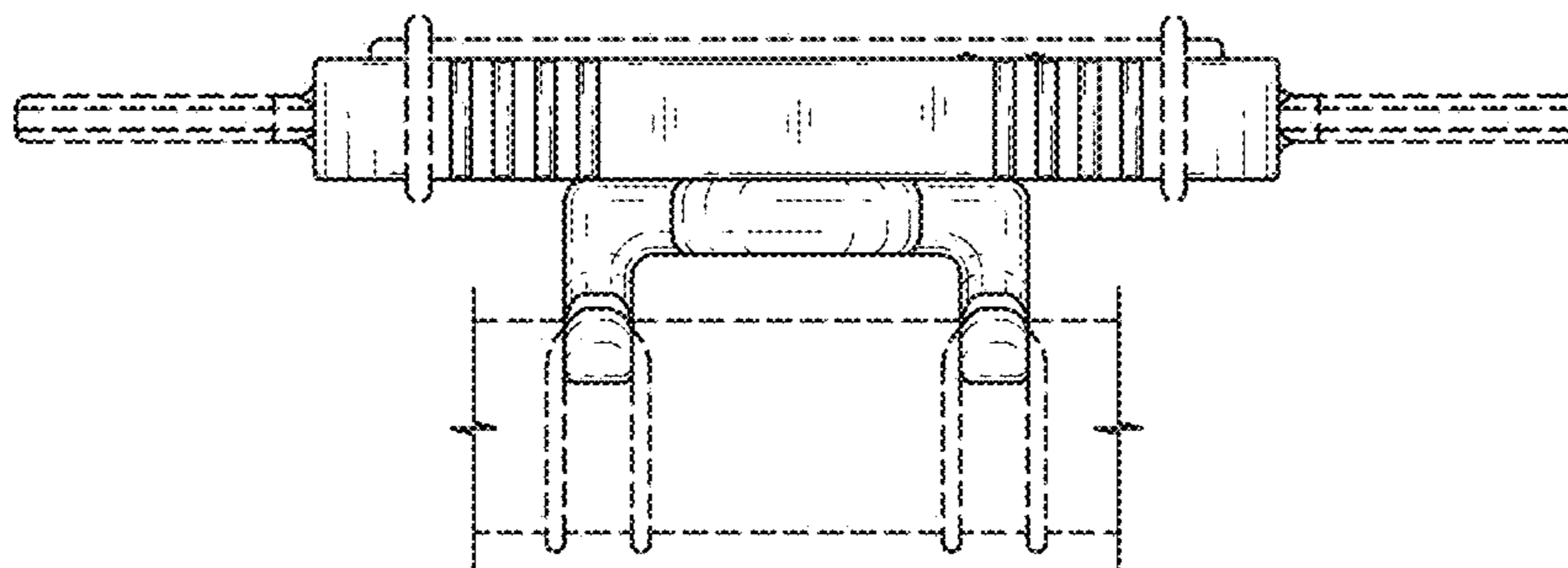


Fig. 2

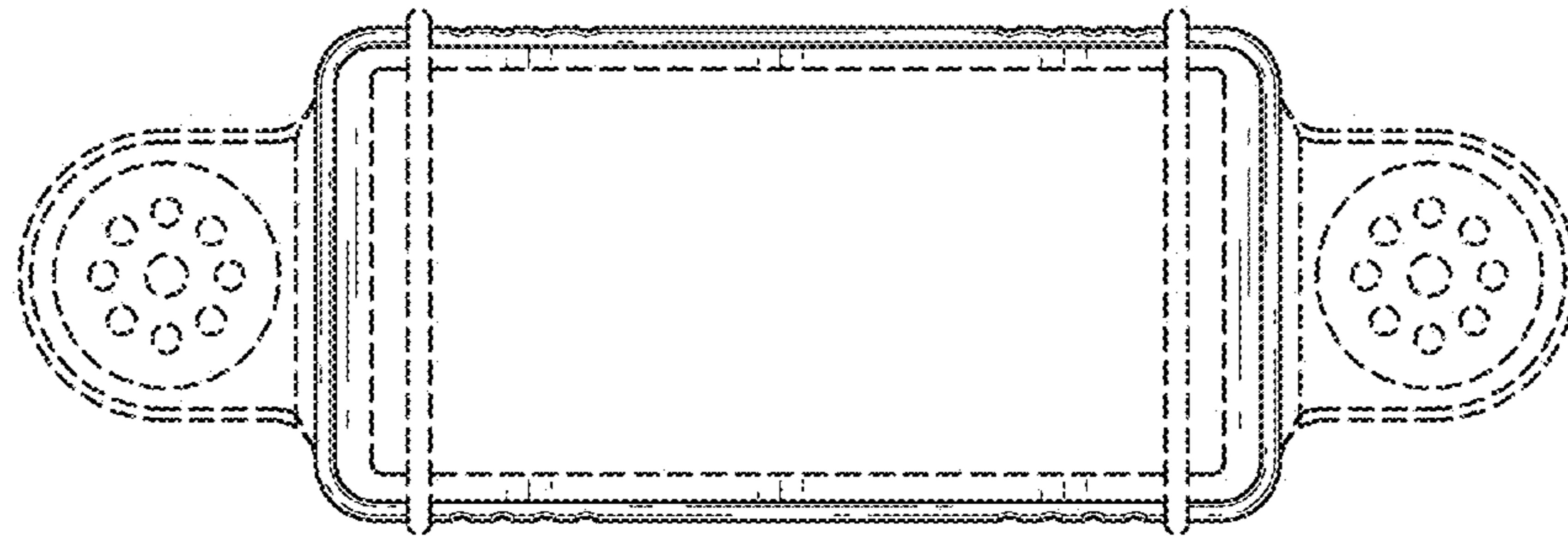


Fig. 3

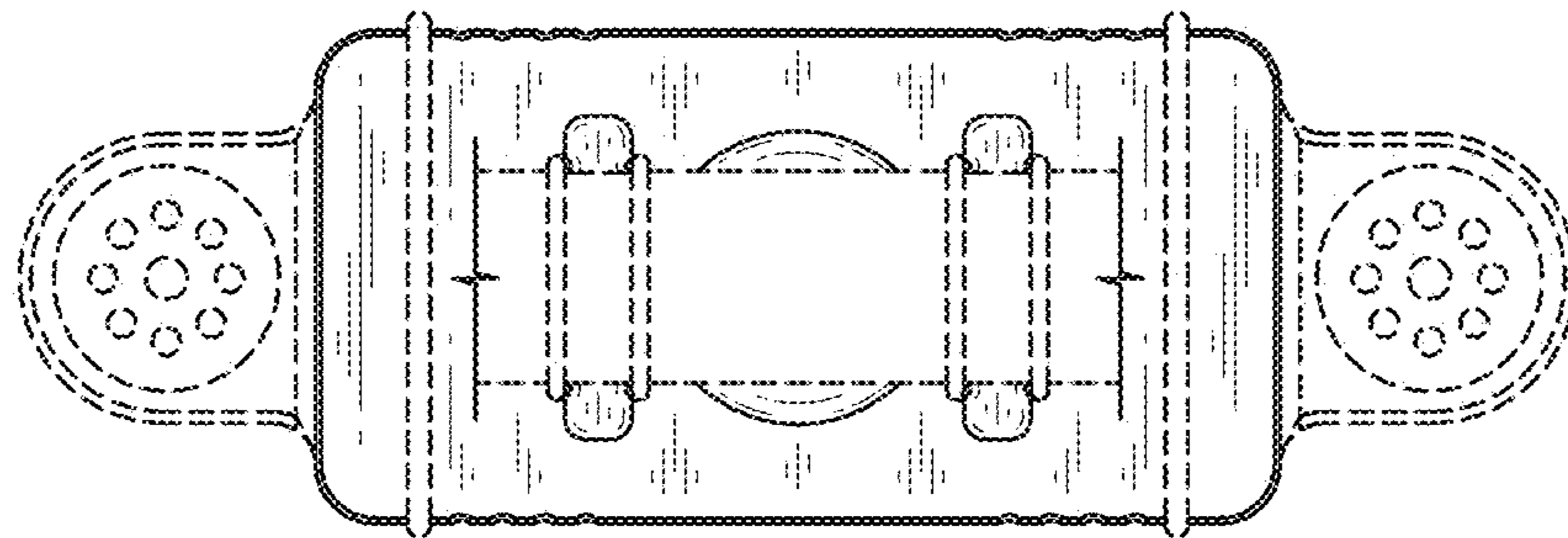


Fig. 4

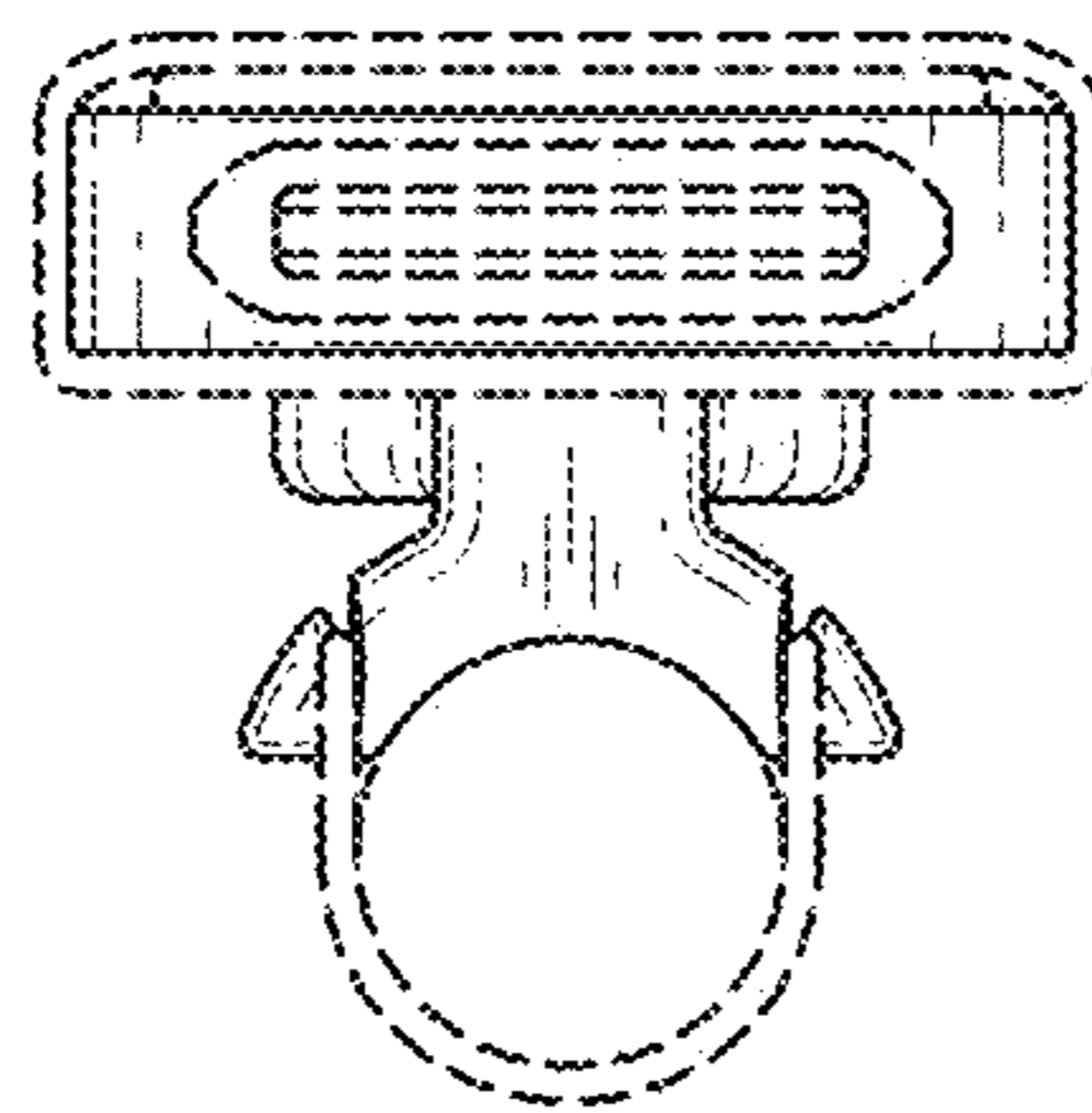


Fig. 5