



US00D739710S

(12) **United States Design Patent**
Bukovitz et al.

(10) **Patent No.:** **US D739,710 S**

(45) **Date of Patent:** **** Sep. 29, 2015**

(54) **UNIVERSAL BRUSH AND TOOL HOLDER**

(75) Inventors: **Richard K. Bukovitz**, Orrville, OH
(US); **John L. Scott, Sr.**, Wooster, OH
(US)

(73) Assignee: **The Wooster Brush Company**,
Wooster, OH (US)

(**) Term: **14 Years**

(21) Appl. No.: **29/416,866**

(22) Filed: **Mar. 28, 2012**

(51) **LOC (10) Cl.** **08-05**

(52) **U.S. Cl.**

USPC **D8/355**; D8/396; D4/199

(58) **Field of Classification Search**

USPC D8/349, 350, 353, 354, 355, 356, 359,
D8/366, 367, 373, 374, 394, 396; 248/110,
248/111, 113, 200, 220.2, 229, 271, 300,
248/489; 403/73; D4/104, 108, 199

CPC B05C 17/00; B05C 17/0205; E04G 7/16;
E04G 7/18; E04G 7/20

See application file for complete search history.

(56) **References Cited**

U.S. PATENT DOCUMENTS

936,150	A *	10/1909	Nelson	403/73
2,510,198	A	6/1950	Tesmer		
2,794,265	A	6/1957	Kruger		
2,884,709	A	5/1959	Kruger		
2,912,769	A	11/1959	Kruger		
3,273,192	A	9/1966	Mazzella		
3,357,035	A	12/1967	Ficke		
3,583,734	A	6/1971	Magi		
3,737,187	A	6/1973	Pryor		
4,528,714	A	7/1985	Beck		
D299,693	S *	2/1989	Wick	D8/396
4,854,625	A *	8/1989	Eubanks et al.	294/92
D312,566	S *	12/1990	Scherer	D8/355

5,056,952	A	10/1991	Gringer		
D396,755	S *	8/1998	Lennox	D4/199
5,903,952	A	5/1999	Camp, Jr. et al.		
6,189,420	B1	2/2001	Shiao		
D446,022	S *	8/2001	Vonarburg et al.	D4/108
D454,479	S *	3/2002	Kolpin	D8/349
D456,147	S *	4/2002	Anderson	D4/199
D484,399	S *	12/2003	Arthur	D8/394
D499,954	S *	12/2004	Brushaber	D8/355
7,100,238	B2	9/2006	McCauley		

(Continued)

OTHER PUBLICATIONS

Wooster Brush and Tool Holder, 1 page (enclosed).

Primary Examiner — Eric Goodman

Assistant Examiner — Bao-Yen Nguyen

(74) *Attorney, Agent, or Firm* — Renner, Otto, Boisselle & Sklar, LLP

(57) **CLAIM**

The ornamental design for a universal brush and tool holder, as shown and described.

DESCRIPTION

FIG. 1 is a top perspective view of a universal brush and tool holder showing our new design as seen from the front left-hand side.

FIG. 2 is a bottom perspective view thereof.

FIG. 3 is a front side view of FIG. 1, the back side view being a mirror image.

FIG. 4 is a top view of FIG. 1.

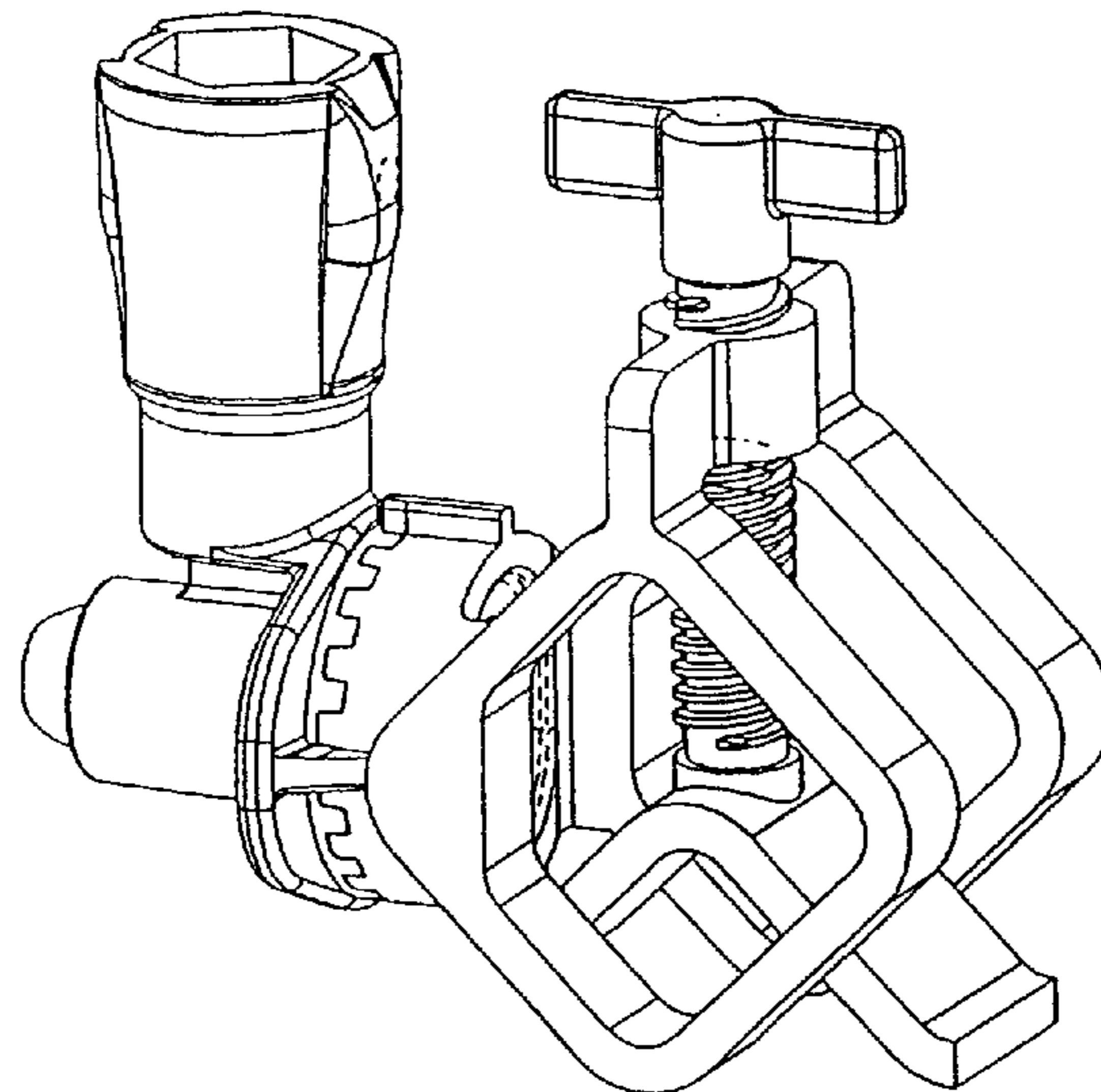
FIG. 5 is a bottom view of FIG. 1.

FIG. 6 is a left end view of FIG. 1; and,

FIG. 7 is a right end view of FIG. 1.

The portions of the design shown in broken lines are not included in the claim or are portions of the drawings that represent unclaimed environment.

1 Claim, 3 Drawing Sheets



(56)

References Cited

U.S. PATENT DOCUMENTS

D554,975 S * 11/2007 Kimura D8/354
D556,458 S * 12/2007 Lanz D4/199
D558,027 S * 12/2007 Lanz D8/355

D586,060 S * 2/2009 Kahn D32/54
D604,345 S * 11/2009 Camp et al. D15/134
D636,658 S * 4/2011 McGrath D8/355
D662,398 S * 6/2012 Jahnke et al. D8/355
D667,290 S * 9/2012 Chelton D8/355

* cited by examiner

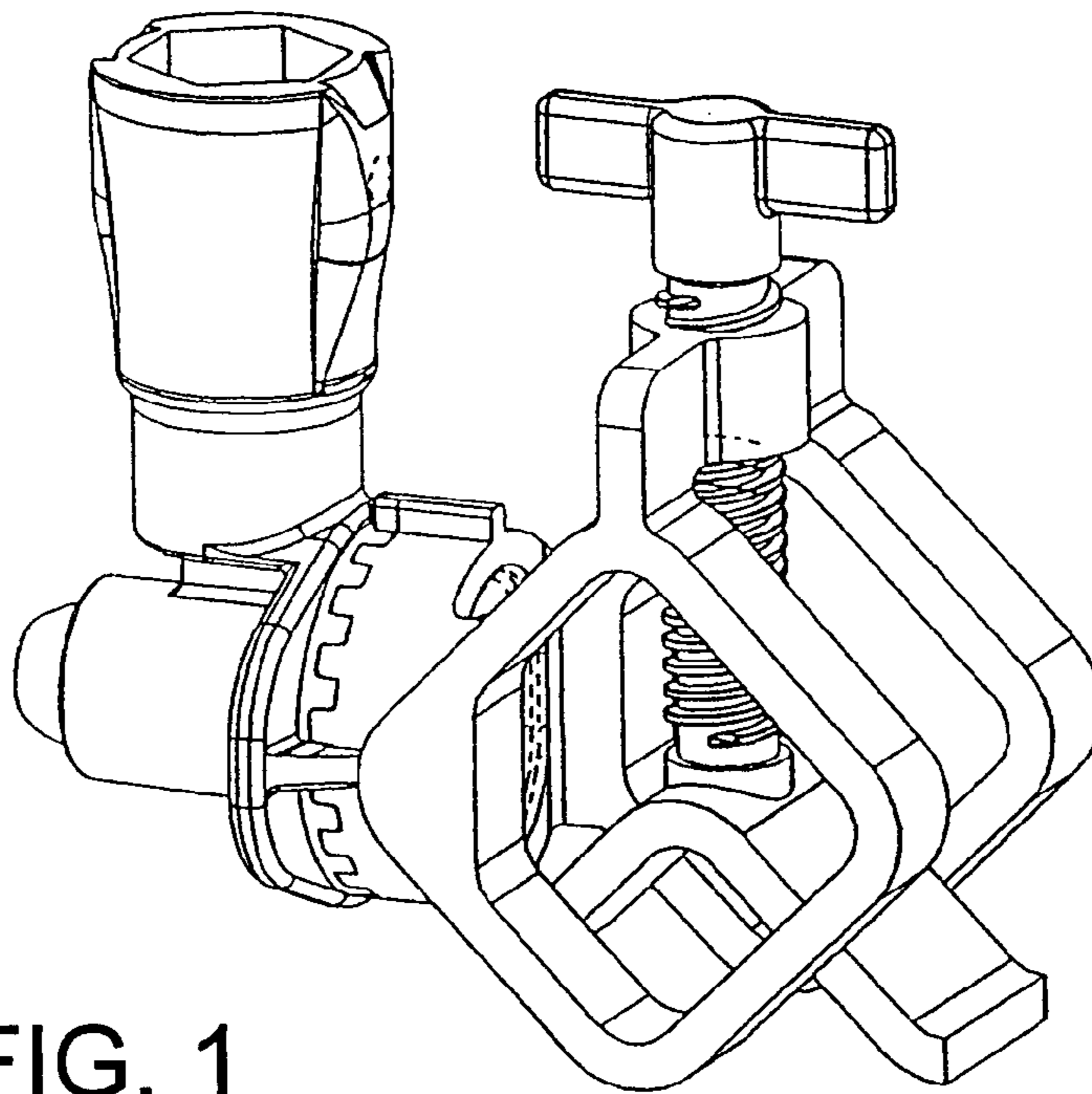


FIG. 1

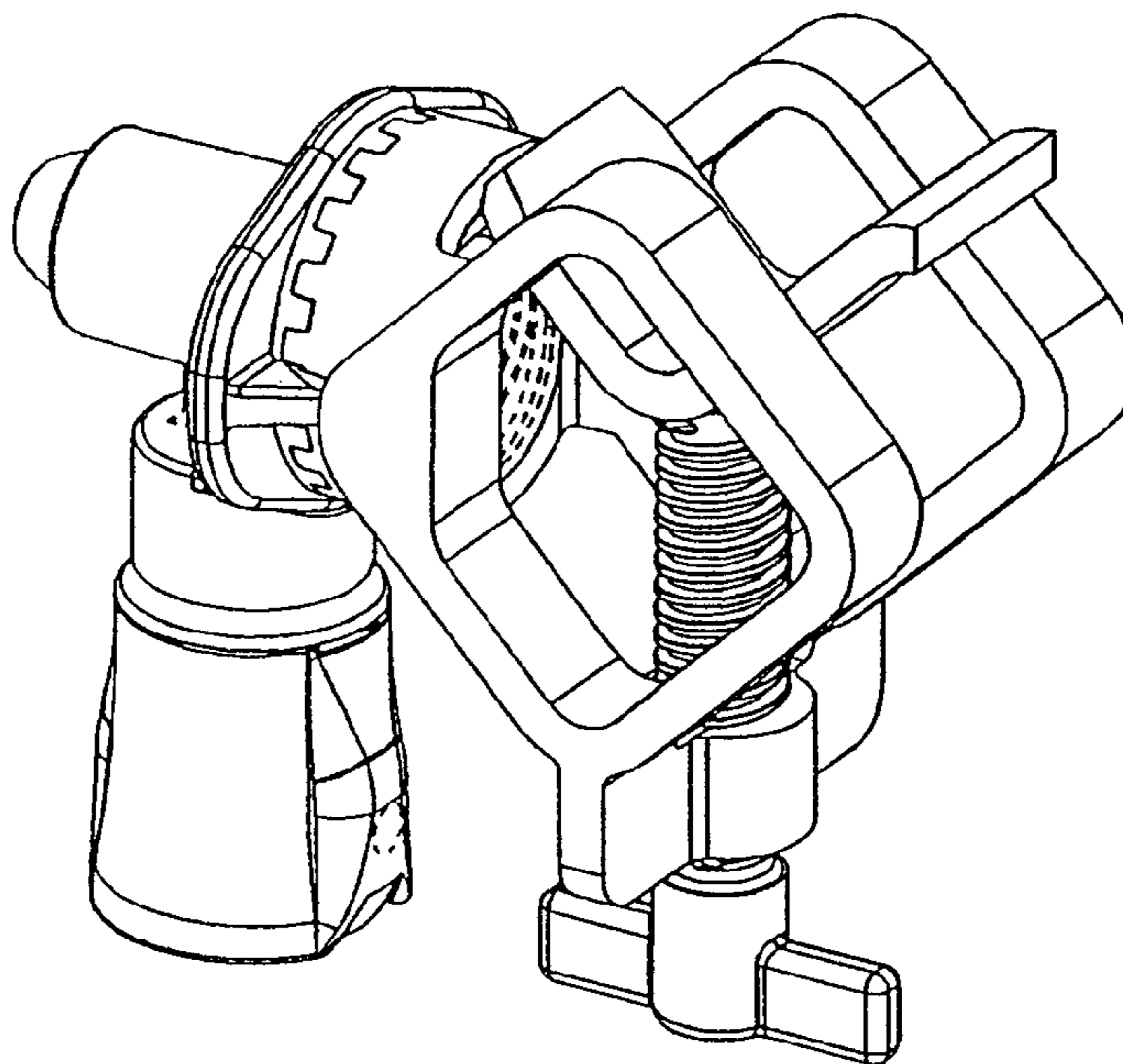


FIG. 2

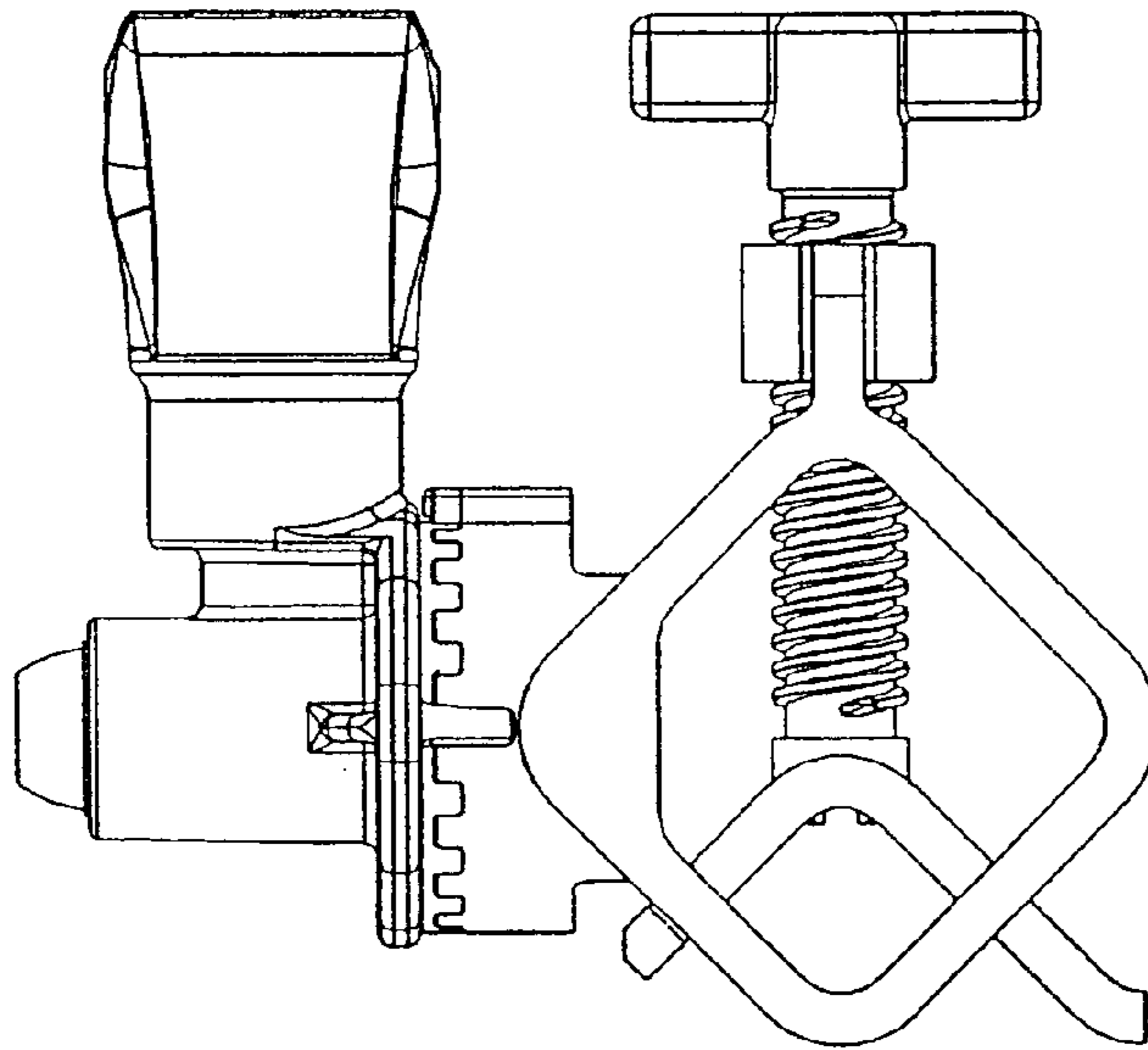


FIG. 3

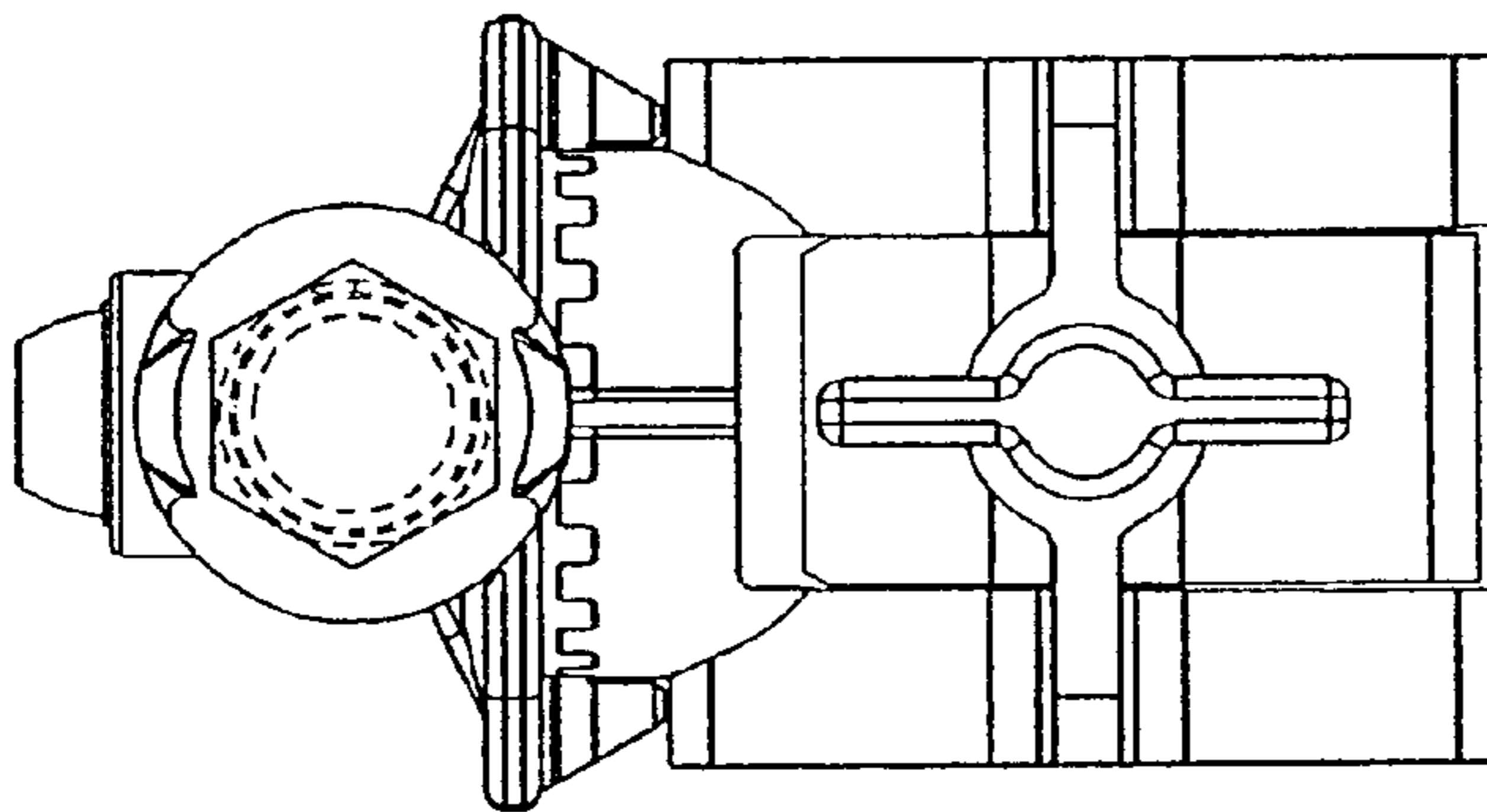


FIG. 4

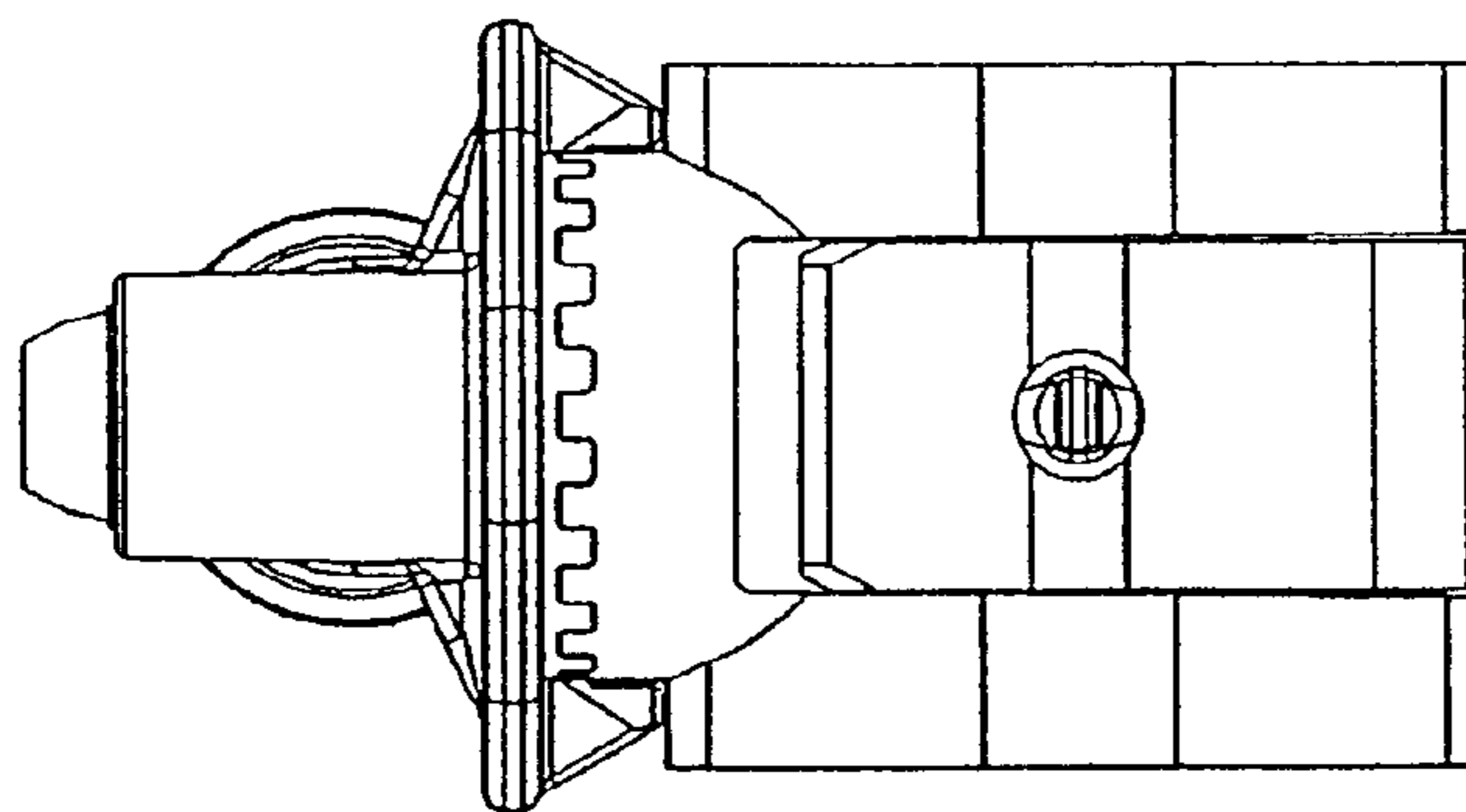


FIG. 5

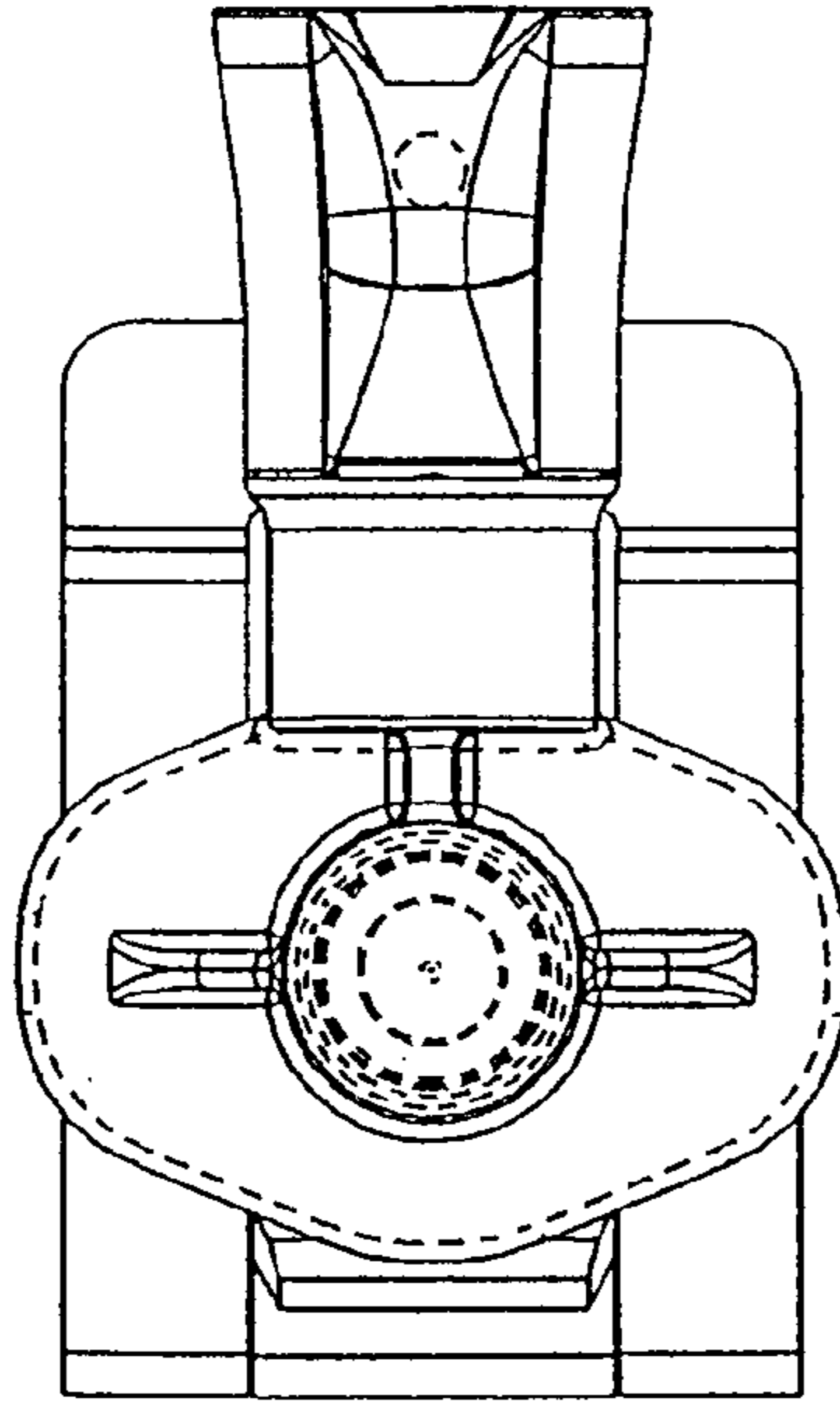


FIG. 6

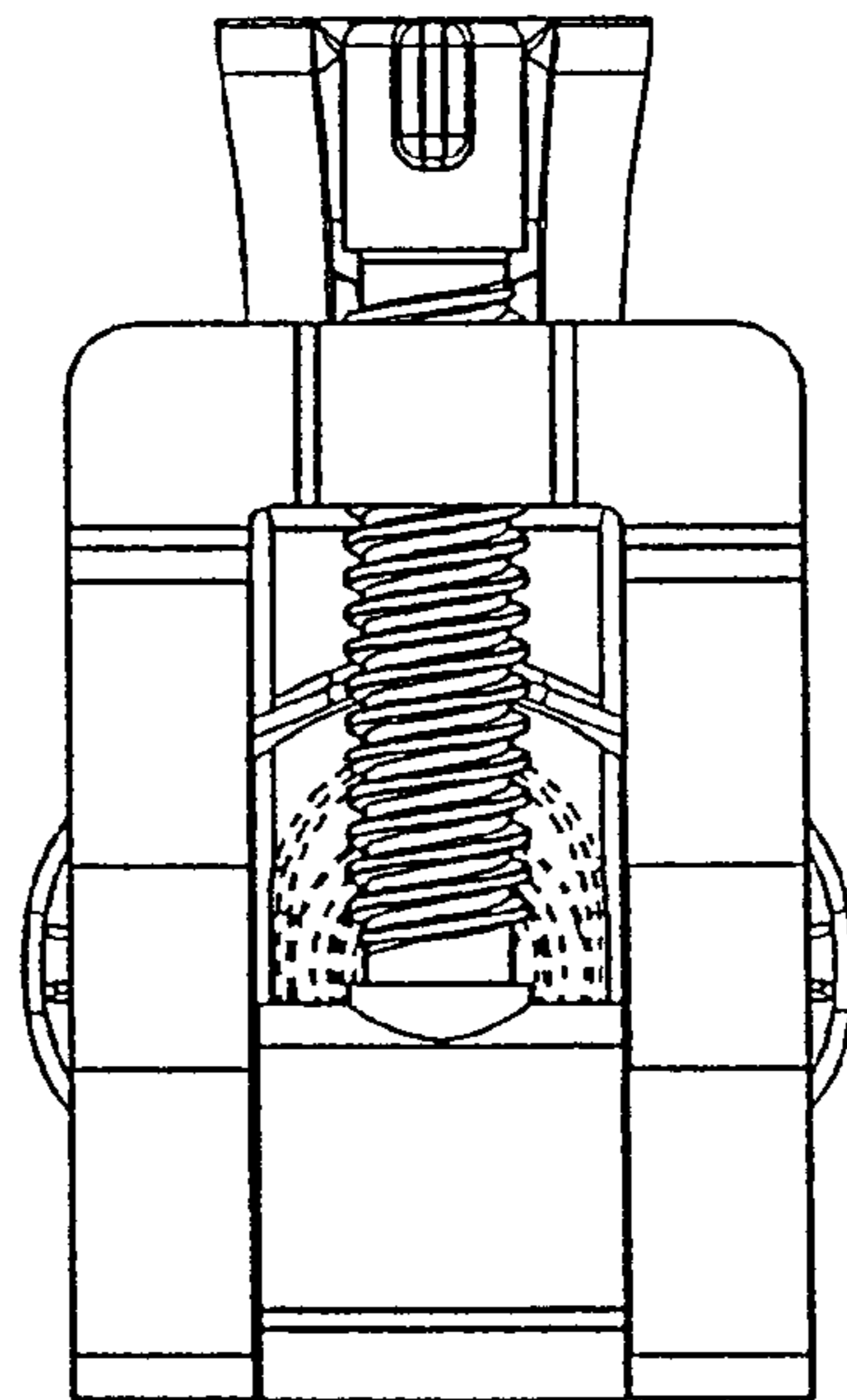


FIG. 7