



US00D739709S

(12) **United States Design Patent**
Wright

(10) **Patent No.:** **US D739,709 S**

(45) **Date of Patent:** **** Sep. 29, 2015**

(54) **FIXED WALL ANGLE BRACKET EXTRUSION**

(56)

References Cited

(71) Applicant: **Studform Pty Ltd.**, Mt Gambier (AU)

U.S. PATENT DOCUMENTS

(72) Inventor: **Athol David Wright**, Mt. Gambier (AU)

D288,615 S	3/1987	Hardy	
5,360,121 A	11/1994	Sothman	
5,619,833 A	4/1997	Neff	
5,997,117 A	12/1999	Krietzman	
6,041,564 A	3/2000	Shirey	
D462,787 S	9/2002	Scalzott	
D518,186 S	3/2006	Zarb	
D518,901 S	* 4/2006	Stackenwalt et al. D25/136
D583,083 S	* 12/2008	Stackenwalt et al. D25/136
D661,524 S	6/2012	Watts	
D668,352 S	10/2012	Field et al.	
D679,418 S	4/2013	Nolan et al.	
D693,483 S	11/2013	Krieger	
D700,717 S	3/2014	Campacci	

(73) Assignee: **Studform Pty Ltd**, Mt. Gambier, SA
(AU)

(**) Term: **14 Years**

(21) Appl. No.: **29/480,232**

(22) Filed: **Jan. 24, 2014**

* cited by examiner

(30) **Foreign Application Priority Data**

Jul. 26, 2013 (AU) 13608/2013

Primary Examiner — Holly Baynham

(74) *Attorney, Agent, or Firm* — Sand & Sebolt

(51) **LOC (10) Cl.** **08-05**

(57)

CLAIM

The ornamental design for fixed wall angle bracket extrusion, as shown.

(52) **U.S. Cl.**

DESCRIPTION

USPC **D8/354**

(58) **Field of Classification Search**

USPC D8/349, 354; D25/119, 121, 136

CPC A47F 5/00; A47H 1/10; E04G 5/06;

A47G 29/00; A47G 29/08; A47B 97/00;

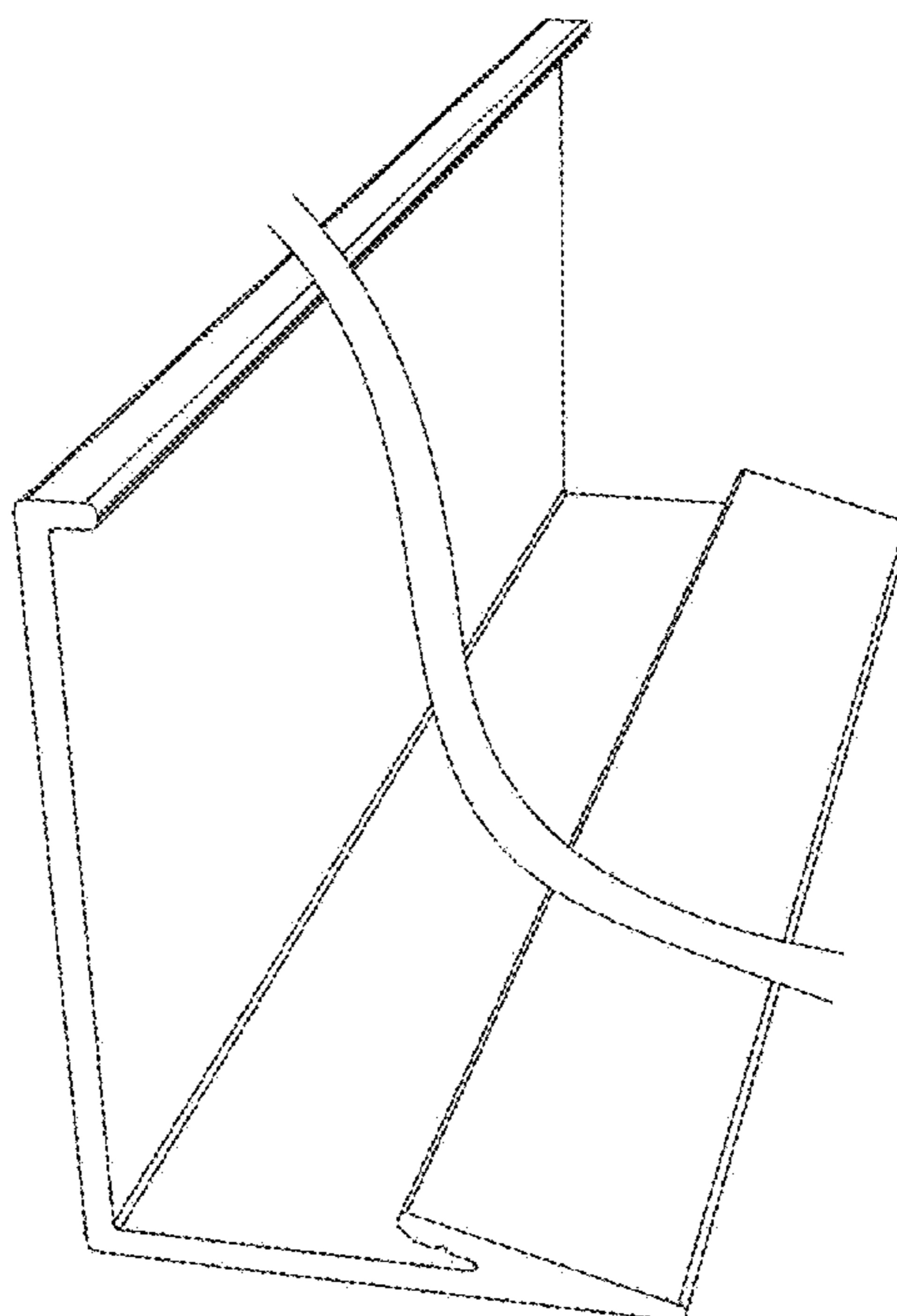
A47B 47/00; B60R 2011/005; B60K

2350/941; B60K 37/04

FIG. 1 is a perspective view of a fixed wall angle bracket extrusion in accordance with my design;
FIG. 2 is a front view thereof;
FIG. 3 is a rear view thereof;
FIG. 4 is a top view thereof;
FIG. 5 is a bottom view thereof;
FIG. 6 is a left side view thereof; and,
FIG. 7 is a right side view thereof.

See application file for complete search history.

1 Claim, 4 Drawing Sheets



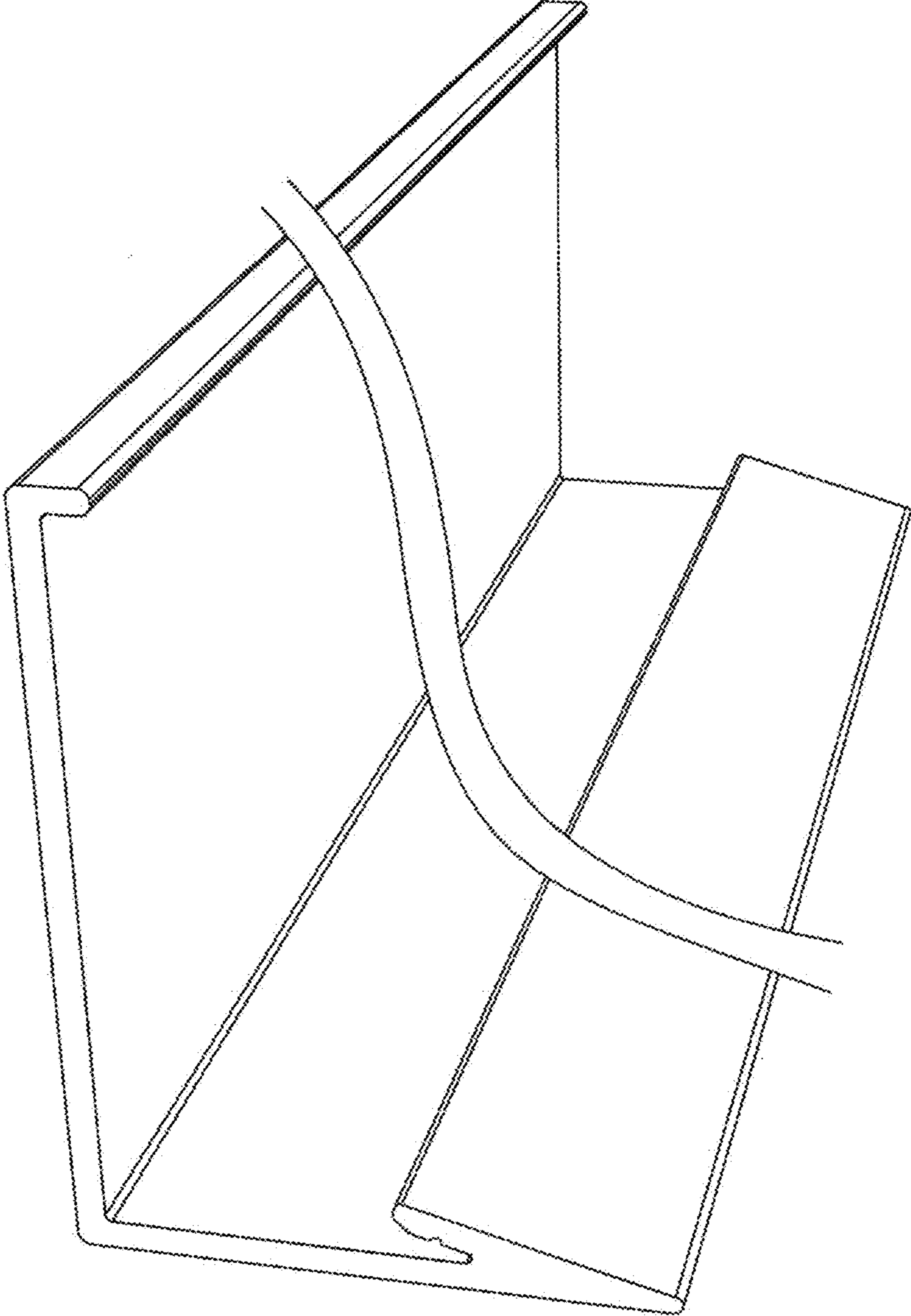


Fig. 1

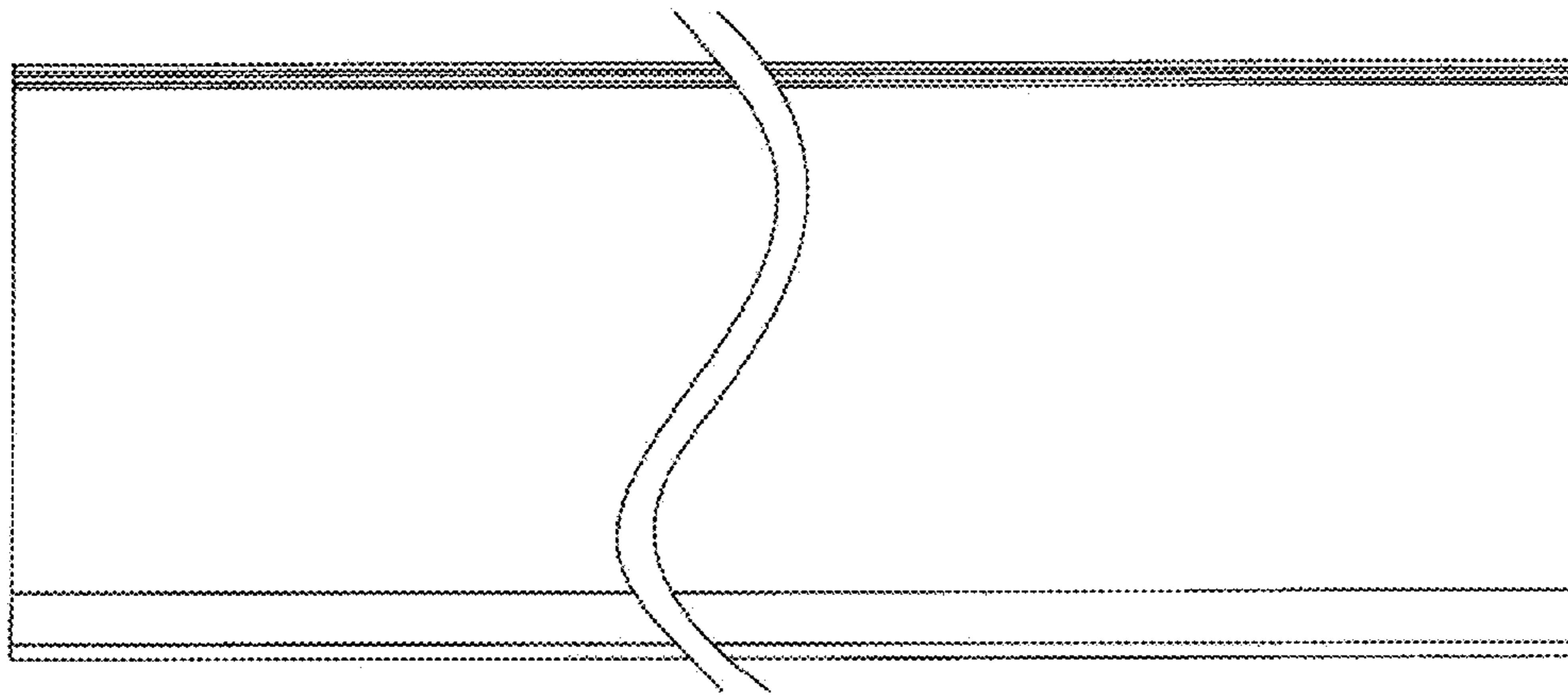


Fig. 2

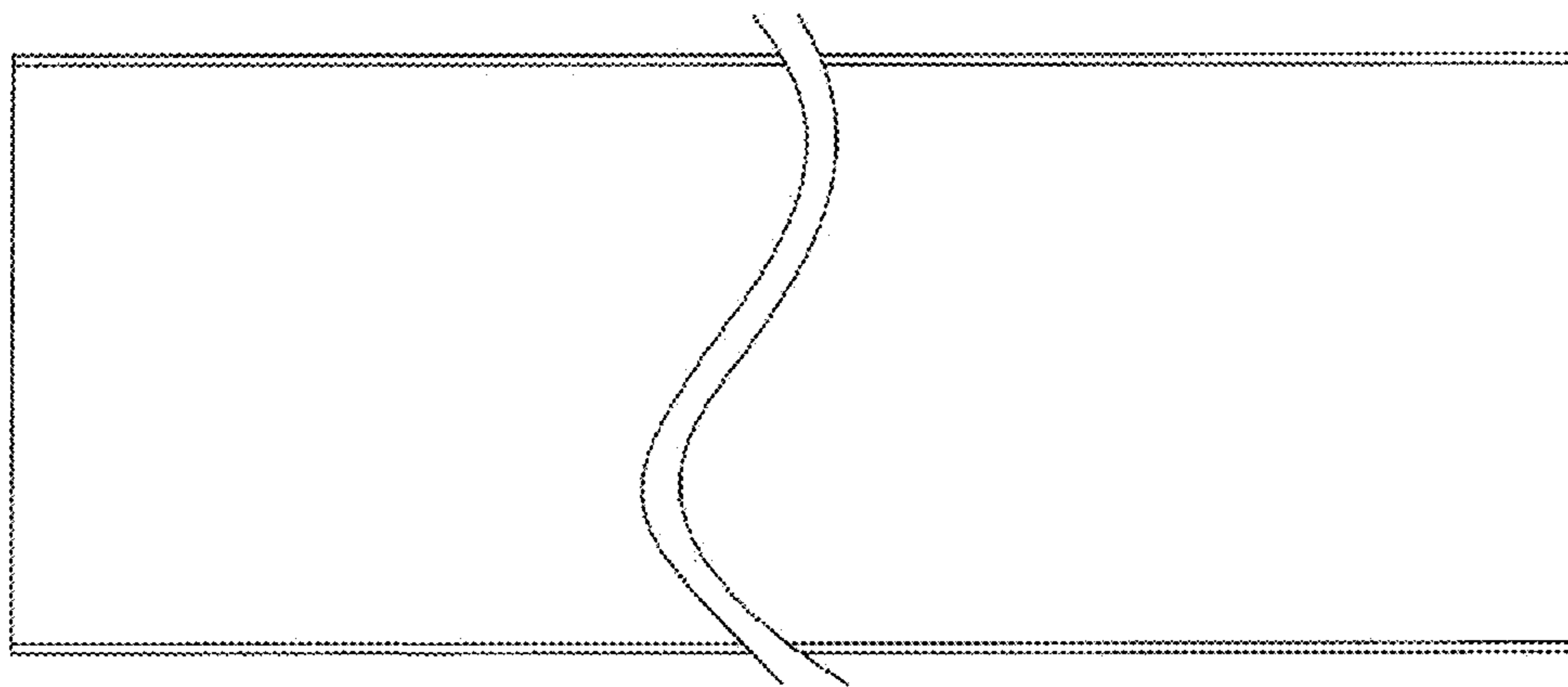


Fig. 3

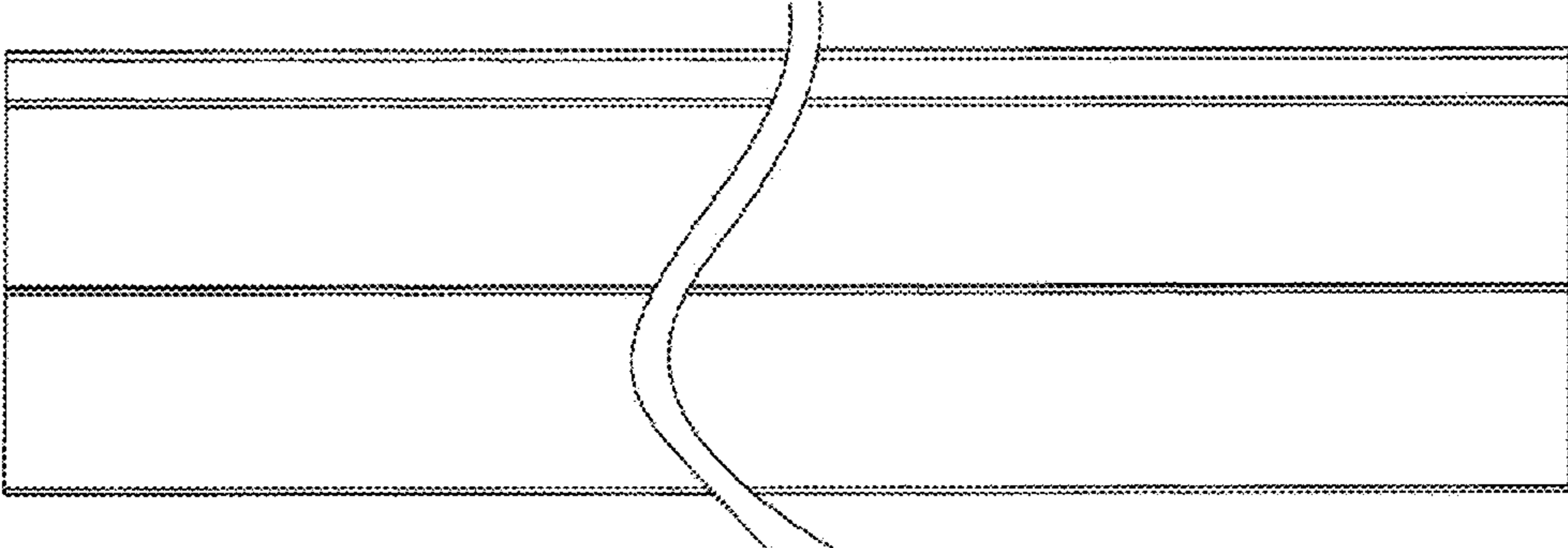


Fig. 4

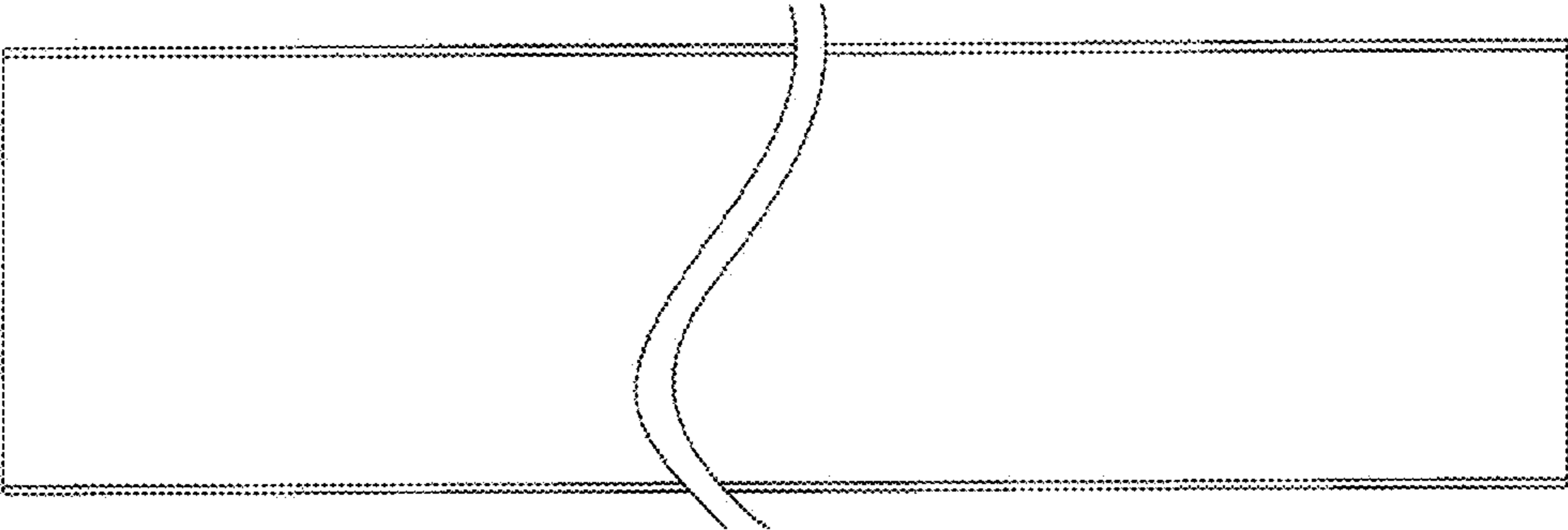


Fig. 5

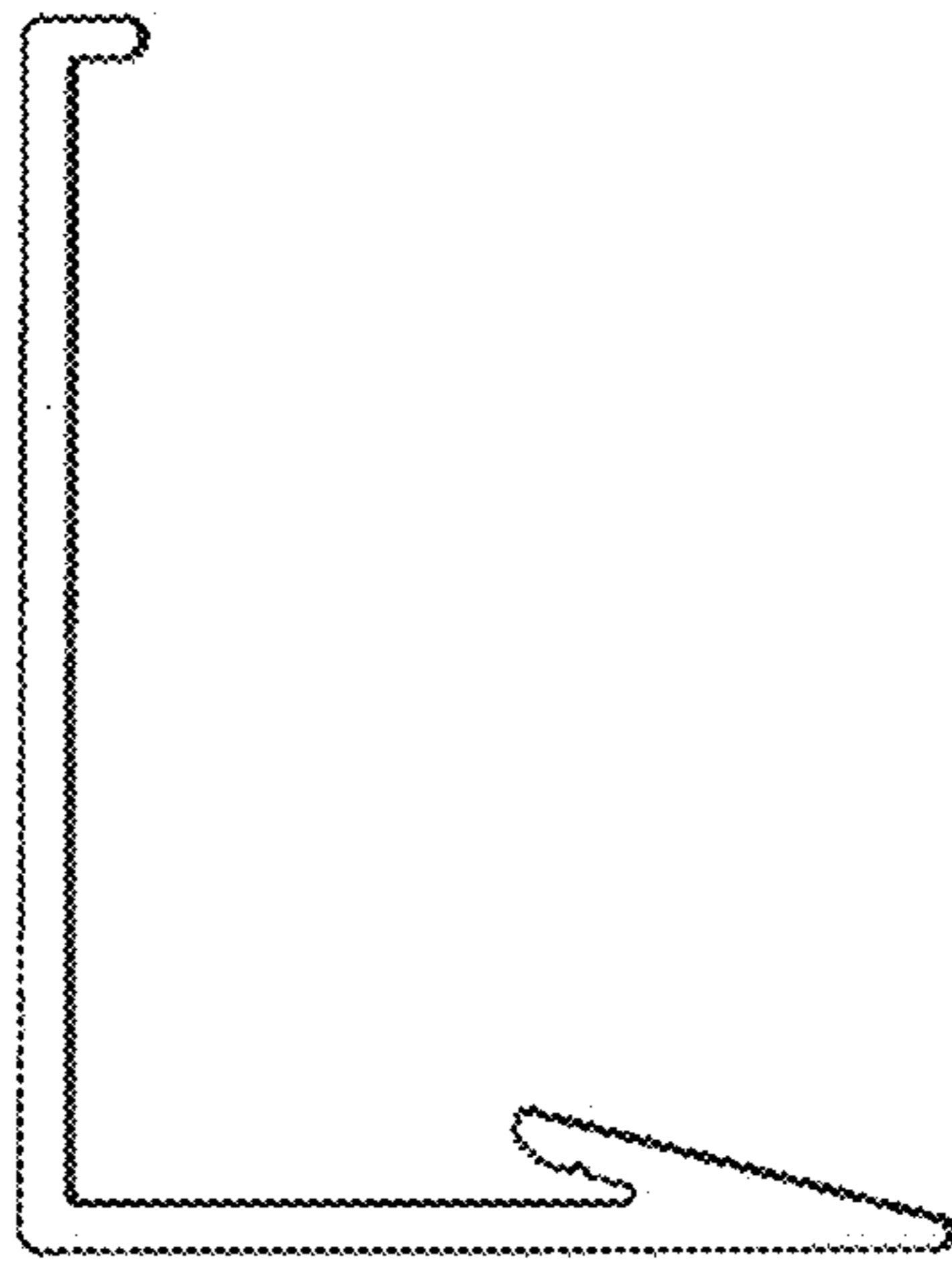


Fig. 6

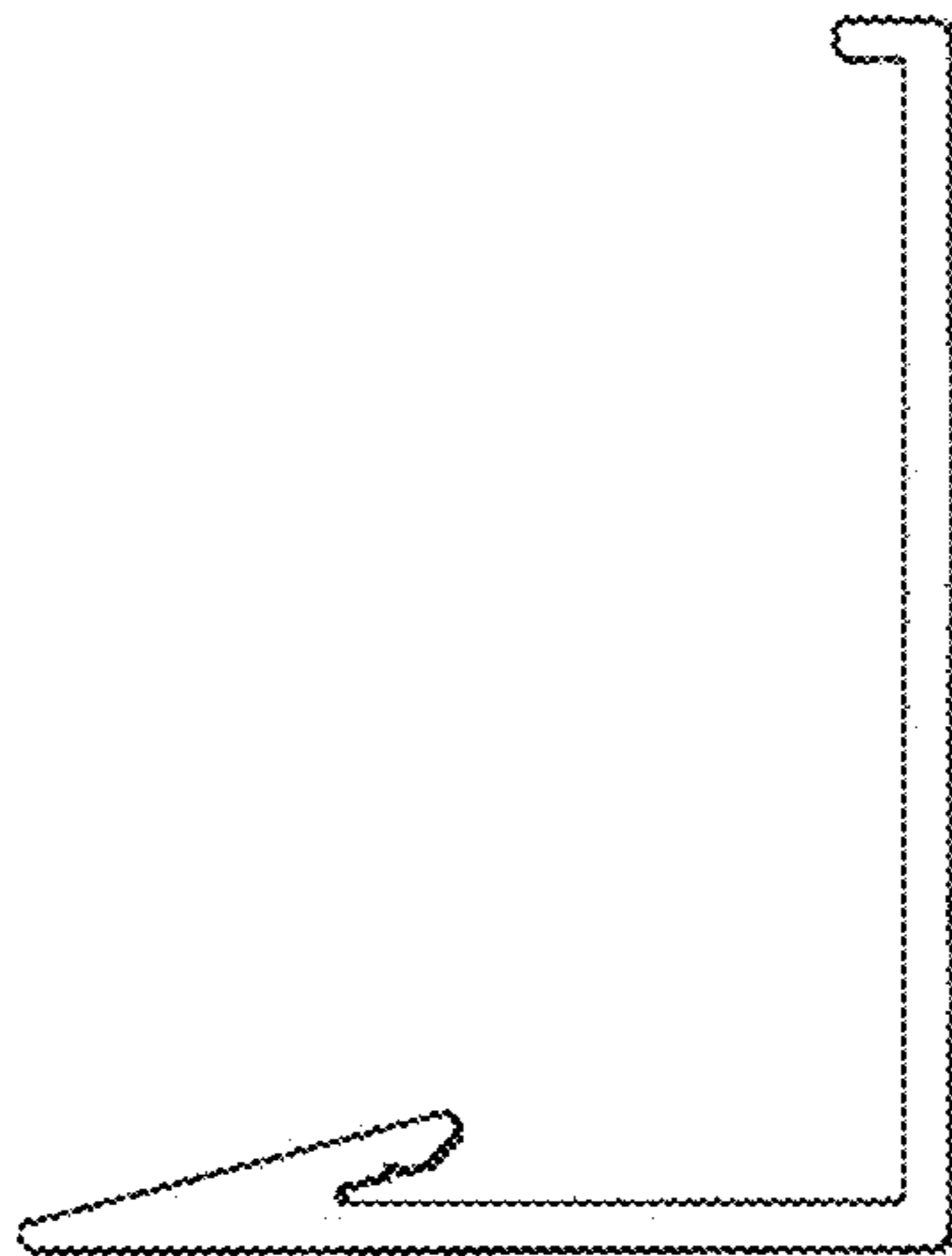


Fig. 7