



US00D739708S

(12) **United States Design Patent**  
**McSweyn et al.**

(10) **Patent No.:** **US D739,708 S**

(45) **Date of Patent:** **\*\* Sep. 29, 2015**

(54) **MAGNETIC MOUNTING SYSTEM**

(71) Applicant: **SCOSCHE INDUSTRIES, INC.**,  
Oxnard, CA (US)

(72) Inventors: **Christopher Michael McSweyn**,  
Oxnard, CA (US); **Vince Alves**, Oxnard,  
CA (US); **Mark Larson**, Camarillo, CA  
(US)

(73) Assignee: **SCOSCHE INDUSTRIES INC.**,  
Oxnard, CA (US)

(\*\*) Term: **14 Years**

(21) Appl. No.: **29/476,359**

(22) Filed: **Dec. 12, 2013**

(51) **LOC (10) Cl.** ..... **08-05**

(52) **U.S. Cl.**  
USPC ..... **D8/349**

(58) **Field of Classification Search**  
USPC ..... D8/349, 354-355, 380, 382-383, 394,  
D8/363, 499; D13/155, 102, 118, 154,  
D13/184, 199; D25/119, 123, 124, 125;  
D21/484, 500, 504; D14/251, 253,  
D14/447, 217

CPC B60R 11/00; B60R 11/0241; B60R 11/0258;  
B60R 11/0264

See application file for complete search history.

(56) **References Cited**

**U.S. PATENT DOCUMENTS**

3,329,277	A	7/1967	Gaudino	
3,642,122	A	2/1972	Von Ende	
D317,697	S *	6/1991	Lage	D7/624.1
D327,840	S *	7/1992	Askew	D8/499
5,992,807	A	11/1999	Tarulli	
6,075,499	A *	6/2000	Edwards et al.	343/882
6,076,790	A	6/2000	Richter	
6,135,408	A	10/2000	Richter	
6,149,116	A	11/2000	Won	

6,305,656	B1	10/2001	Wemyss	
6,382,482	B1	5/2002	Chao	
6,502,727	B1	1/2003	Decoteau	
D489,578	S *	5/2004	Lai	D7/624.1
6,888,940	B1	5/2005	Deppen	
D554,491	S *	11/2007	Stenberg et al.	D8/499
7,374,142	B2	5/2008	Carnevali	
7,431,251	B2	10/2008	Carnevali	
8,016,255	B2	9/2011	Lin	
D681,867	S *	5/2013	Wegger et al.	D26/124
D686,595	S *	7/2013	Andre et al.	D14/217
D687,441	S *	8/2013	Janzen	D14/447
D694,249	S *	11/2013	Akana et al.	D14/447
D711,322	S *	8/2014	McSweyn et al.	D13/144
D715,132	S *	10/2014	McSweyn et al.	D8/363
D718,612	S *	12/2014	McSweyn et al.	D8/363
D719,959	S *	12/2014	Vogel	D14/447
2011/0192857	A1	8/2011	Rothbaum et al.	

\* cited by examiner

*Primary Examiner* — Karen E Kearney

*Assistant Examiner* — Nathaniel D Buckner

(74) *Attorney, Agent, or Firm* — Stetina Brunda Garred & Brucker

(57) **CLAIM**

The ornamental design for a magnetic mounting system, as shown and described.

**DESCRIPTION**

FIG. 1 is a top perspective view of a magnetic mounting system showing our new design.

FIG. 2 is a bottom perspective view thereof;

FIG. 3 is a top plan view thereof;

FIG. 4 is a right side view thereof;

FIG. 5 is a left side view thereof;

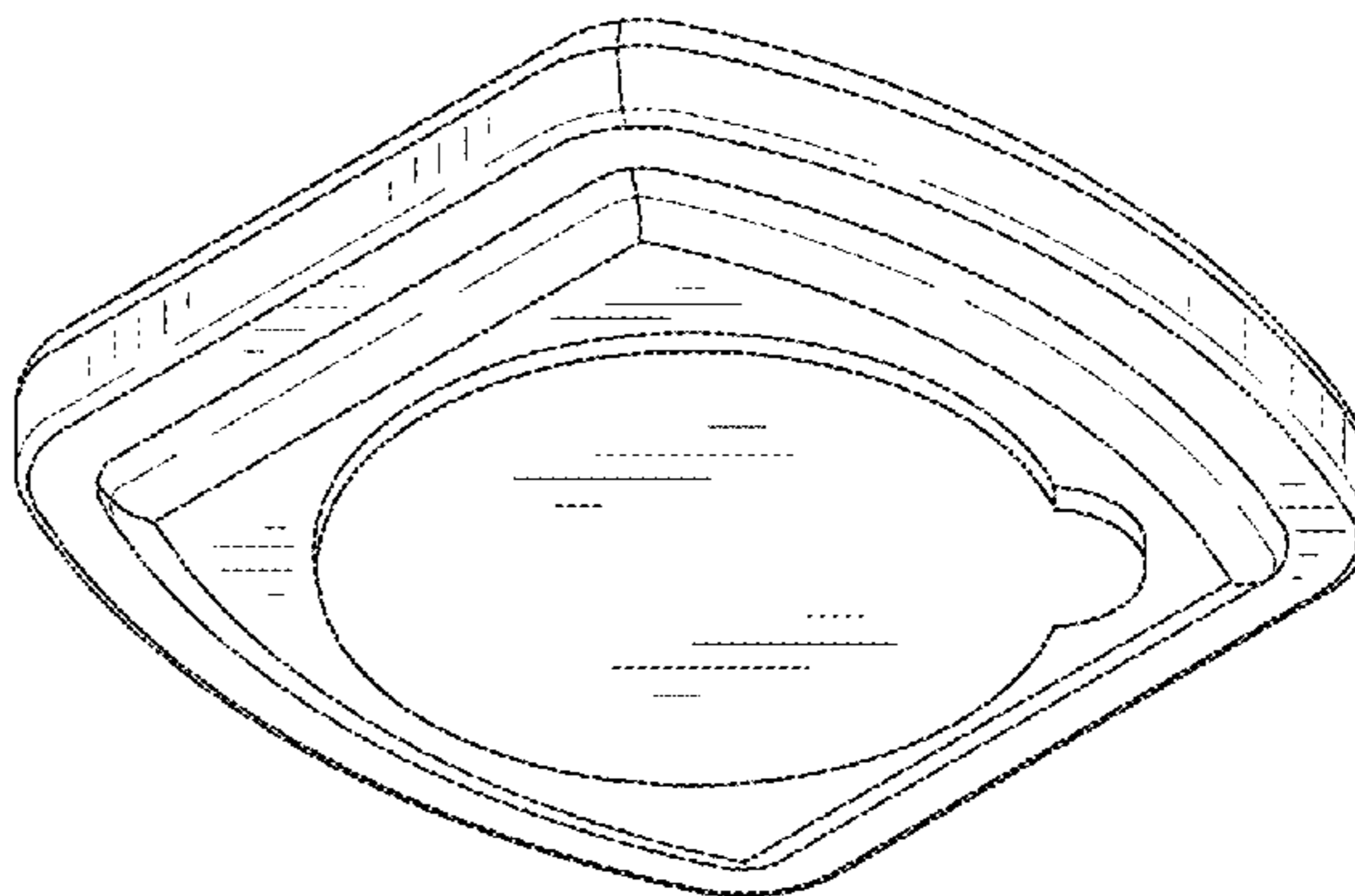
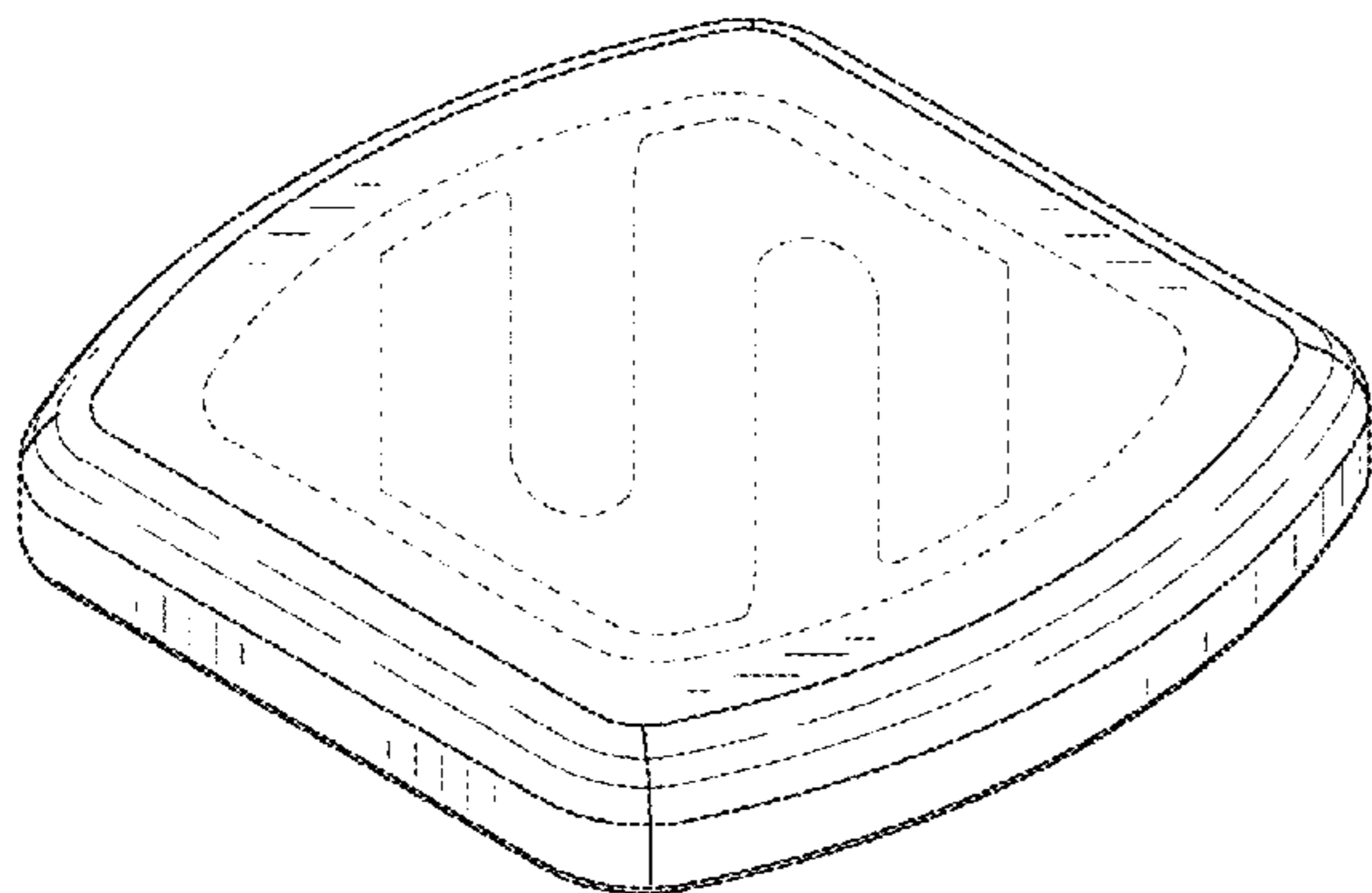
FIG. 6 is bottom plan view thereof;

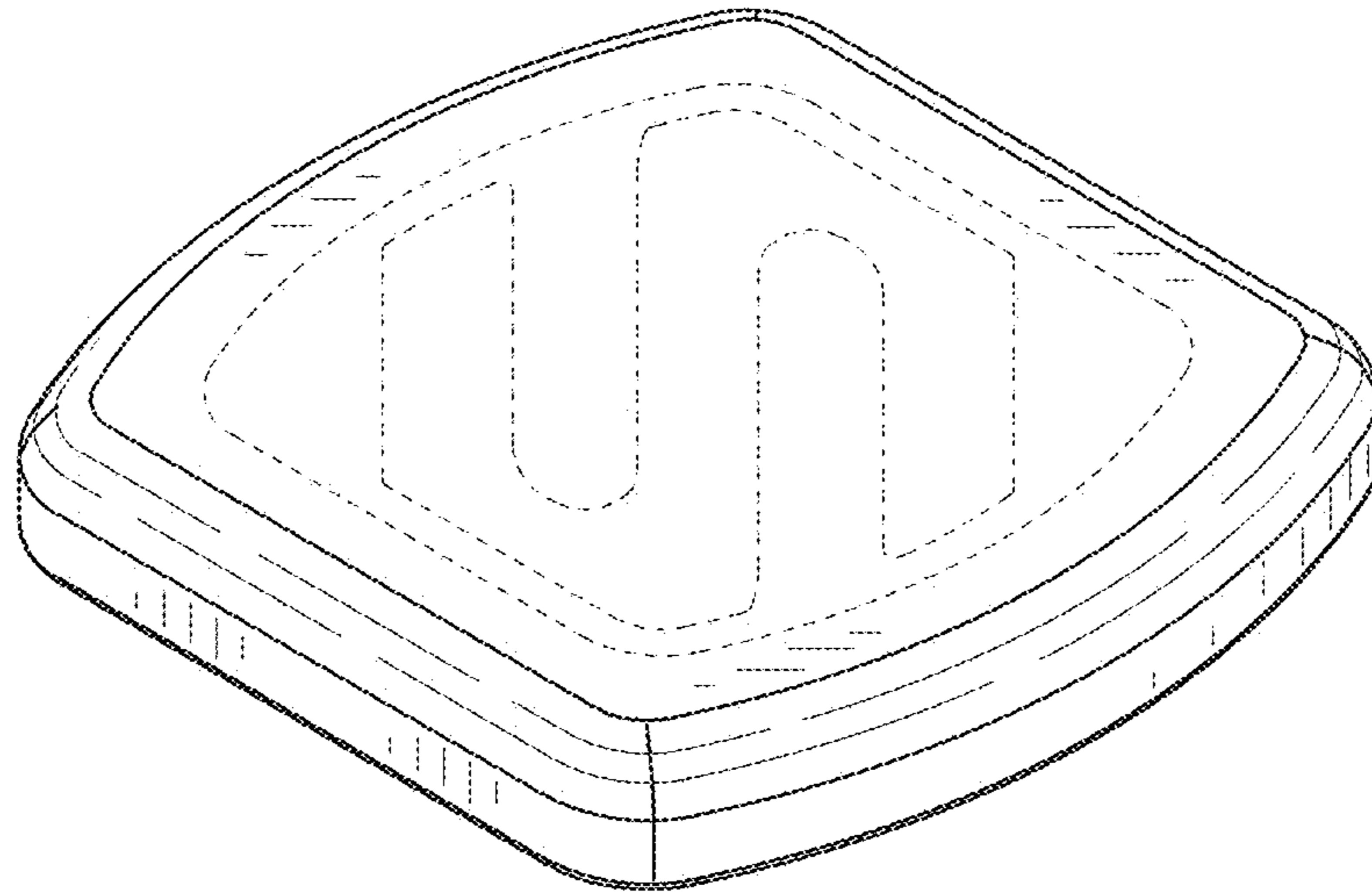
FIG. 7 is a front view thereof; and,

FIG. 8 is a rear view thereof.

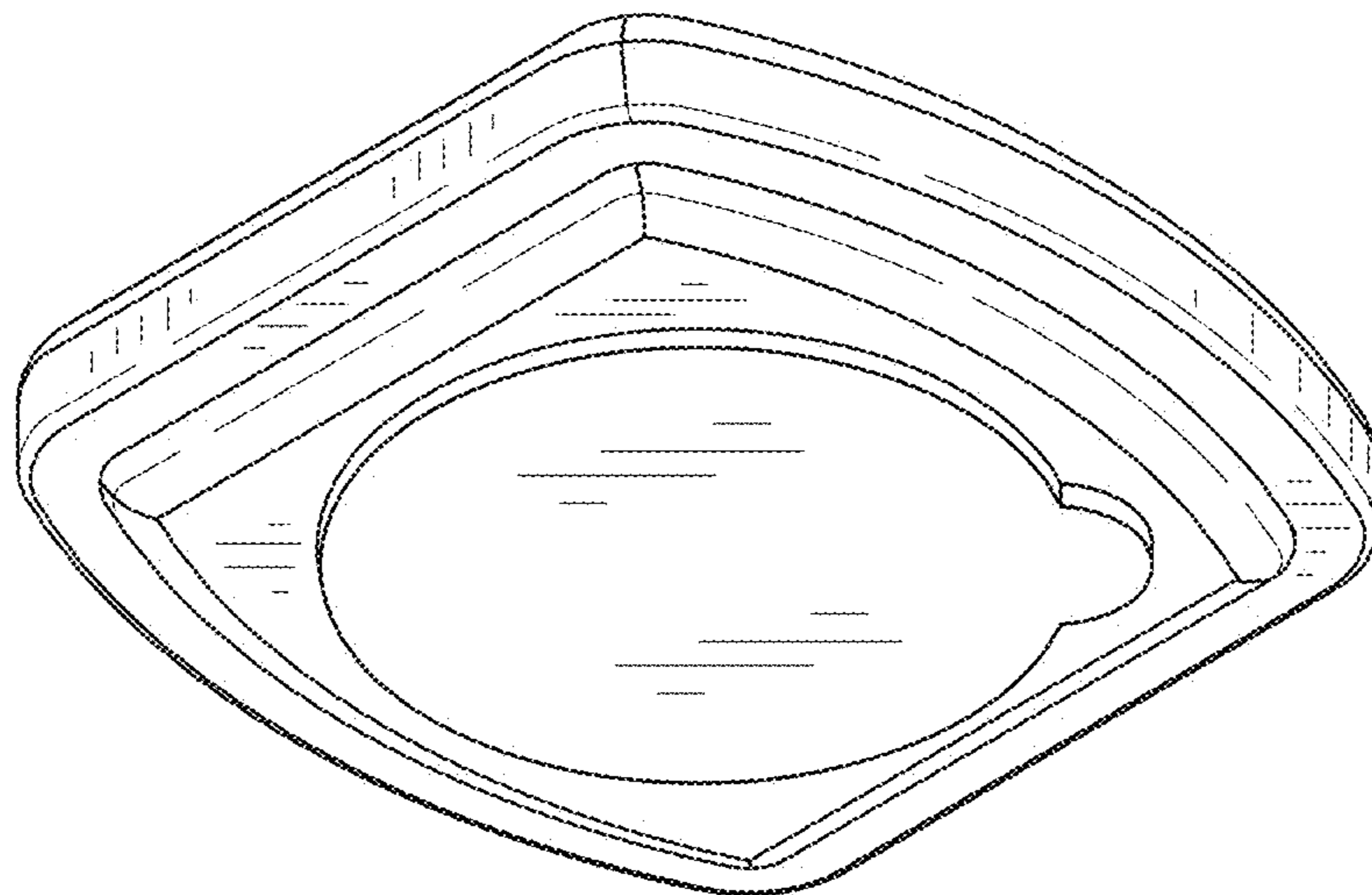
The broken lines in the drawings are included for the purpose of illustrating portions of the article and form no part of the claimed design.

**1 Claim, 2 Drawing Sheets**

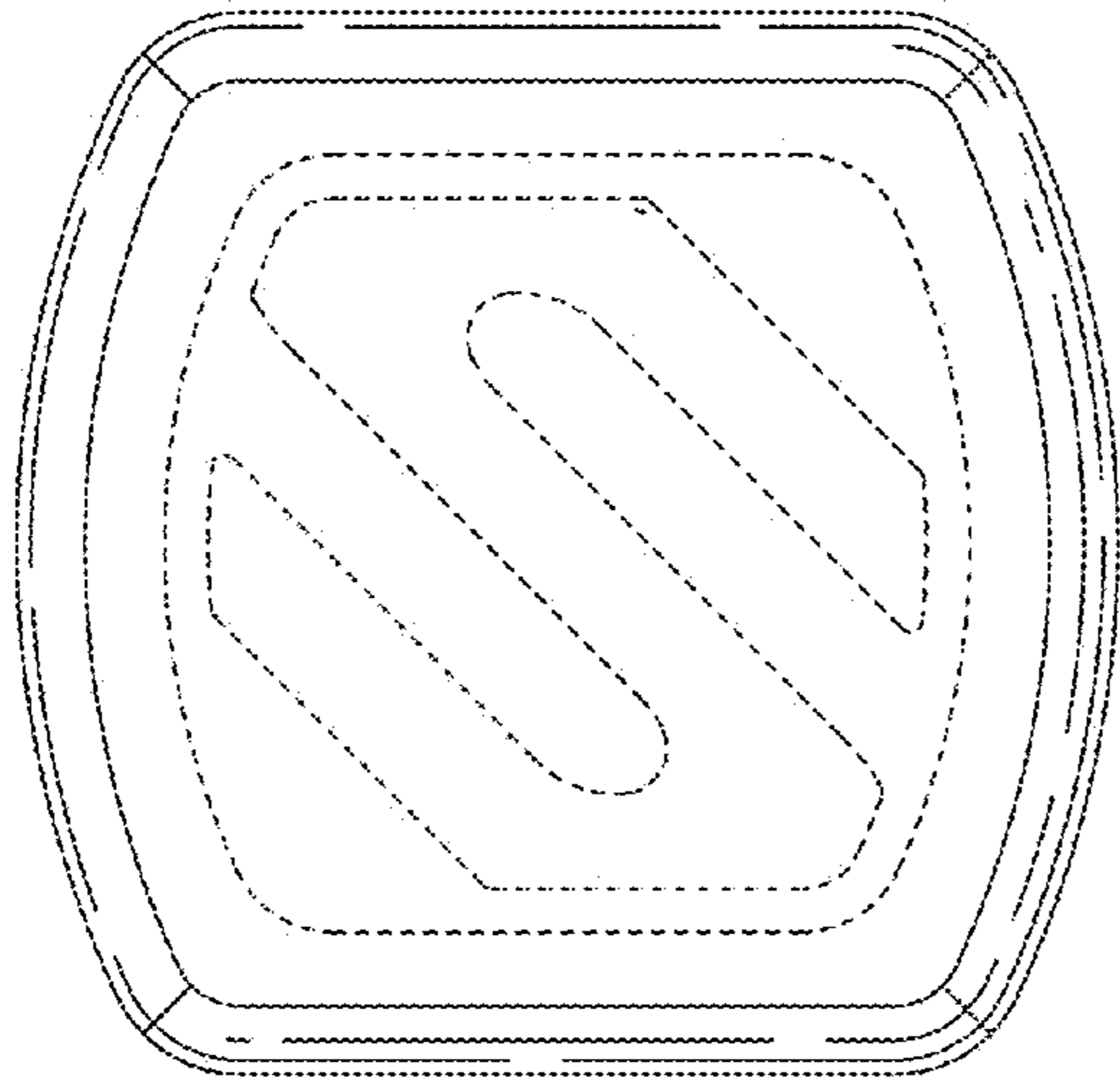




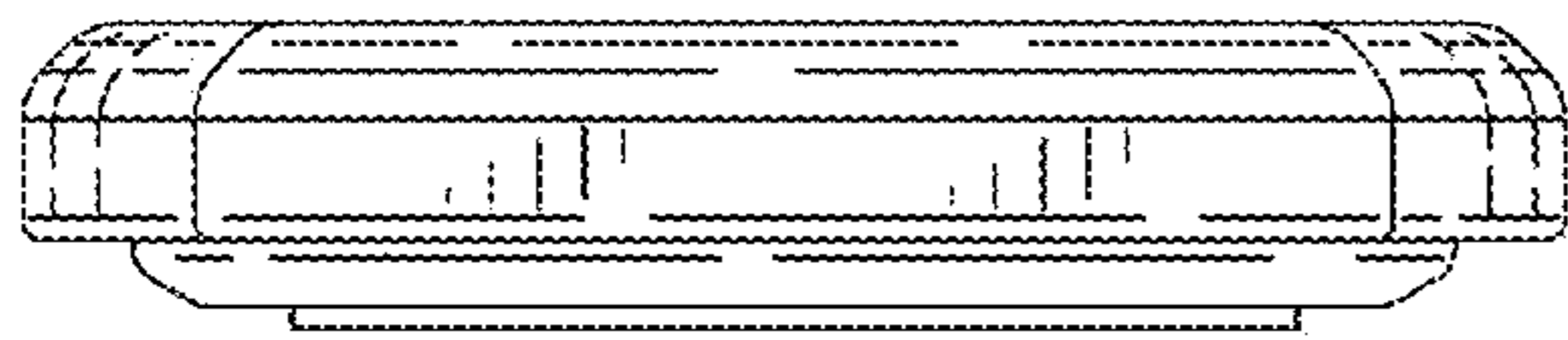
*Fig. 1*



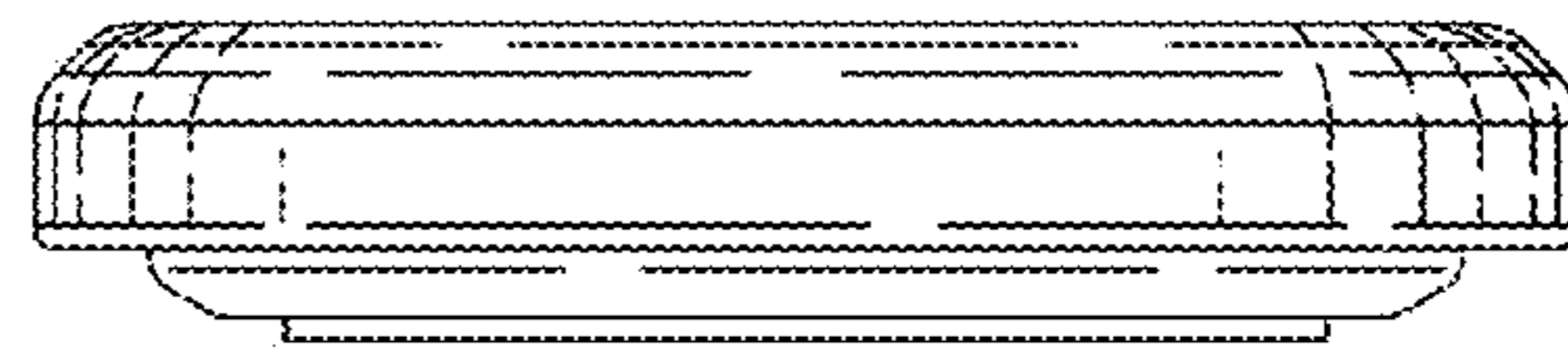
*Fig. 2*



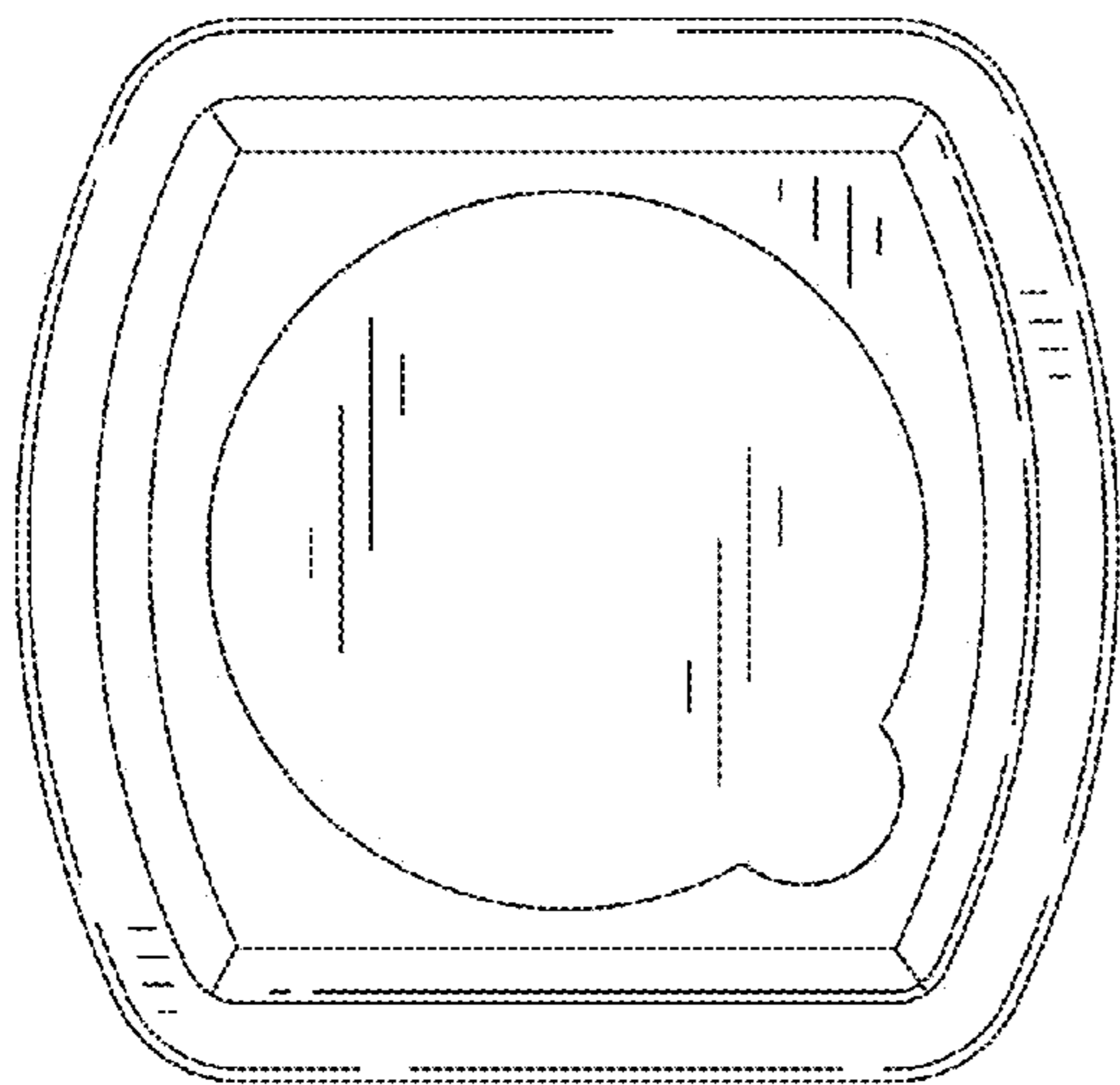
*Fig. 3*



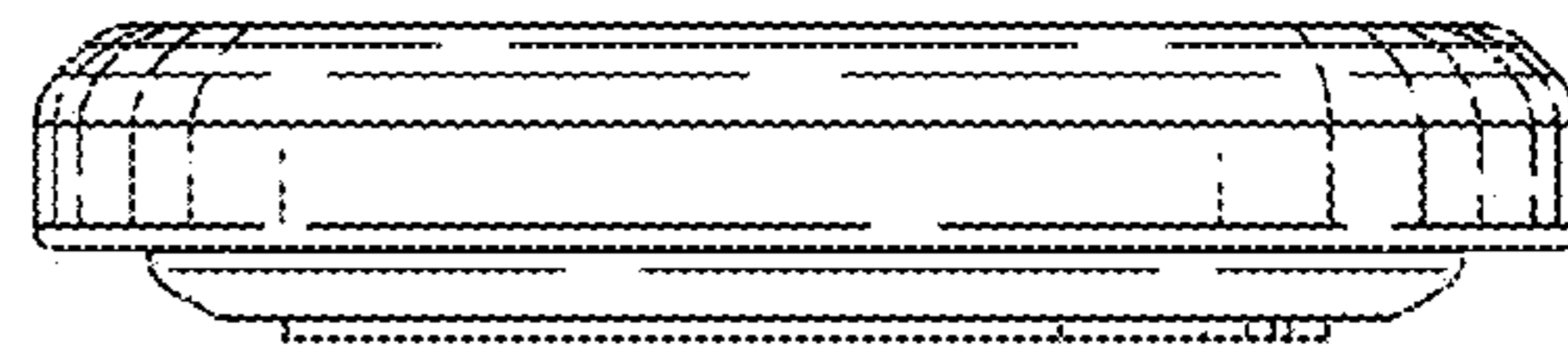
*Fig. 4*



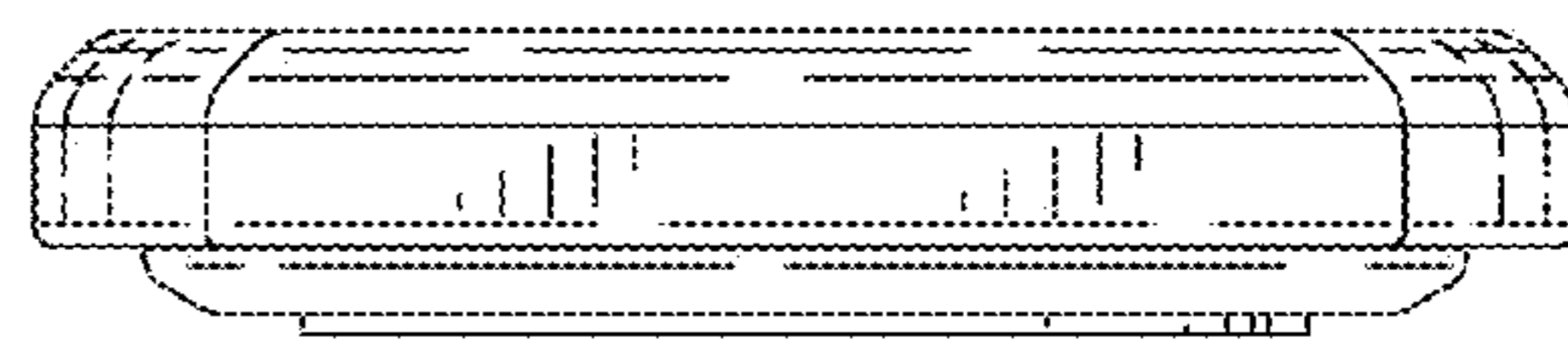
*Fig. 5*



*Fig. 6*



*Fig. 7*



*Fig. 8*