



US00D739702S

(12) **United States Design Patent**
Summers et al.

(10) **Patent No.:** **US D739,702 S**
(45) **Date of Patent:** **** Sep. 29, 2015**

(54) **EXTERNAL MOUNT FREE FALL HANDLE**

(71) Applicant: **Peninsula Components, Inc.**, San Carlos, CA (US)

(72) Inventors: **Gregg Vincent Summers**, Scottsdale, AZ (US); **Alwin Golosinda Guittard**, Litchfield Park, AZ (US)

(73) Assignee: **Peninsula Components, Inc.**, San Carlos, CA (US)

(**) Term: **14 Years**

(21) Appl. No.: **29/438,856**

(22) Filed: **Dec. 4, 2012**

(51) **LOC (10) Cl.** **08-06**

(52) **U.S. Cl.**
USPC **D8/315**

(58) **Field of Classification Search**
USPC D8/306, 302, 338, 315; D3/318, 282; 16/412, 430, 438, 444, 445; 190/39, 190/115, 121; 70/70; 292/336.3
CPC A45C 13/00; A45C 13/26; A47B 95/02; G06F 1/18; G06F 1/20; G06F 1/183
See application file for complete search history.

(56) **References Cited**

U.S. PATENT DOCUMENTS

2,767,424 A * 10/1956 Knuepfer 16/445
3,562,849 A * 2/1971 Brayshaw 16/445
D283,977 S * 5/1986 Kunzler D8/301
5,400,470 A * 3/1995 Kammersgard et al. 16/438
D439,500 S * 3/2001 Mirick D8/352

D448,269 S * 9/2001 Willems D8/301
D455,640 S * 4/2002 Hansen D8/352
6,397,436 B1 * 6/2002 Wang 16/445
6,594,862 B2 * 7/2003 Totani et al. 16/430
D530,094 S * 10/2006 Hagan et al. D3/318
7,451,525 B2 * 11/2008 Willems 16/445
D597,817 S * 8/2009 Menzies D8/306
D625,574 S * 10/2010 Burns D8/306
D723,900 S * 3/2015 Bertani D8/306

* cited by examiner

Primary Examiner — Mark Goodwin

(74) *Attorney, Agent, or Firm* — Dergosits & Noah LLP

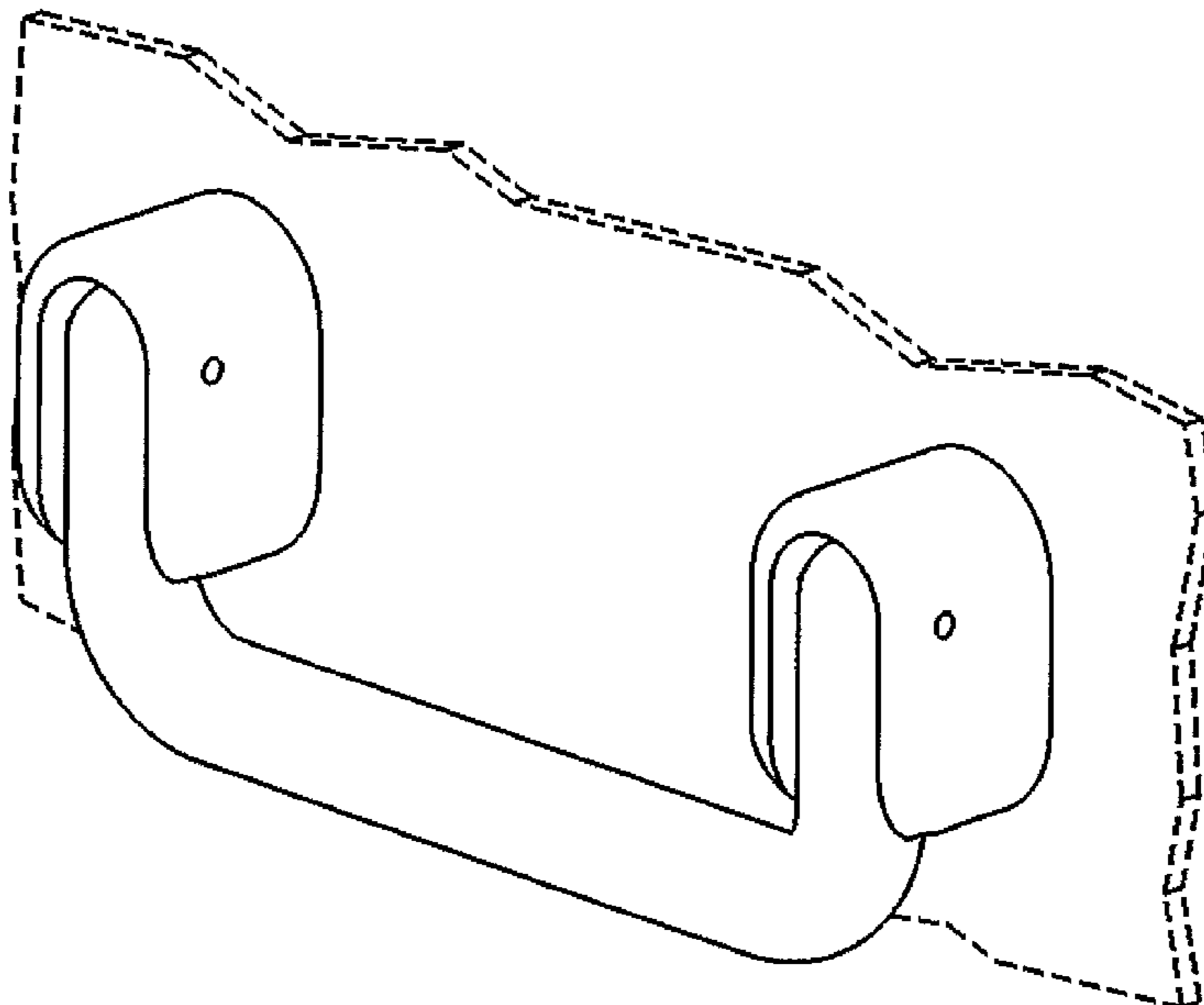
(57) **CLAIM**

The ornamental design for an external mounted free fall handle, as shown and described.

DESCRIPTION

FIG. 1 is a top view of an external mount free fall handle showing my new design.
FIG. 2 is a side view thereof.
FIG. 3 is an end view thereof.
FIG. 4 is a front perspective view thereof shown in a mounted configuration with the handle bail in the lifting position.
FIG. 5 is a front perspective view thereof shown in a mounted configuration with the handle bail in the unrestrained position; and,
FIG. 6 is a rear perspective view thereof shown in a mounted configuration with the handle bail in the lifting position.
The broken lines showing in the figures are included for the purpose of illustrating environmental use only and form no part of the claimed design.

1 Claim, 4 Drawing Sheets



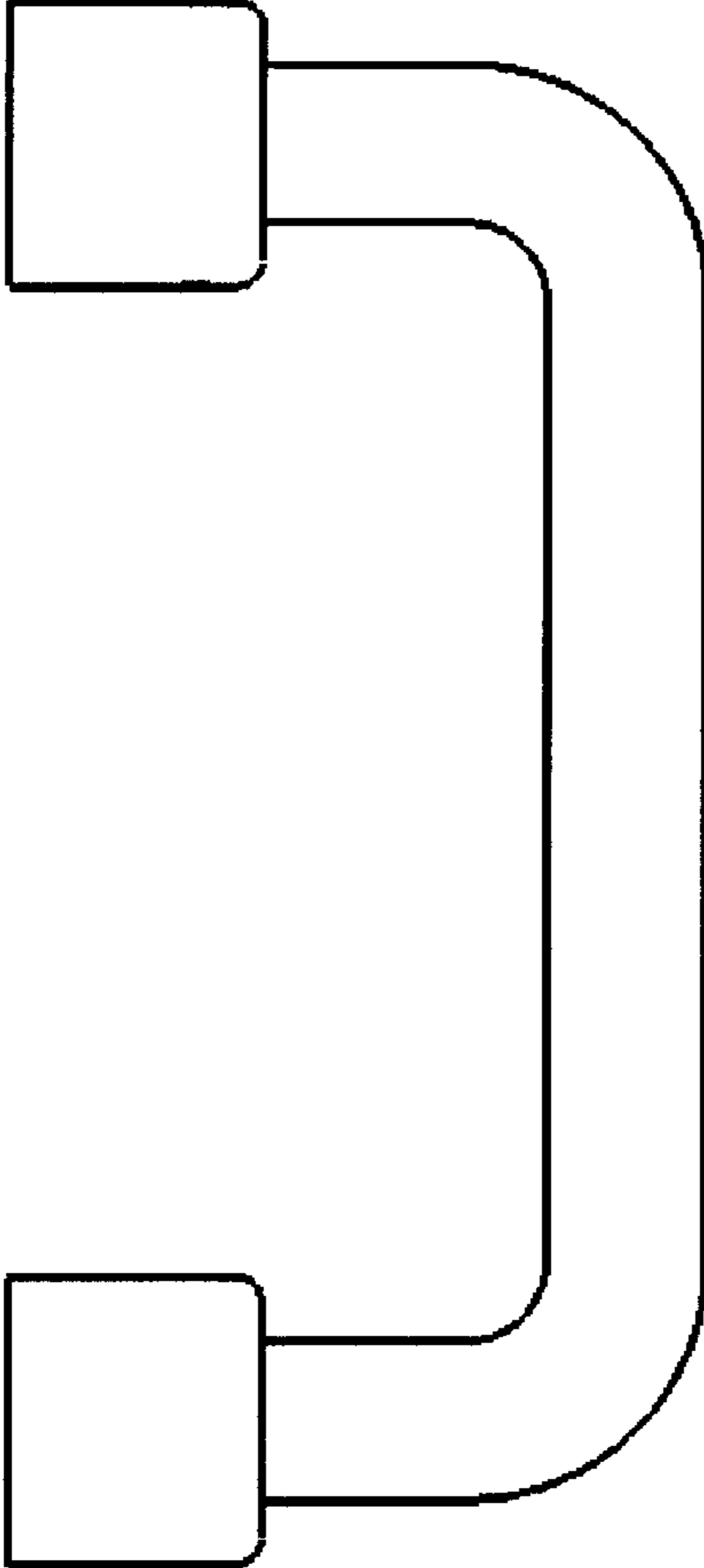


Fig. 1

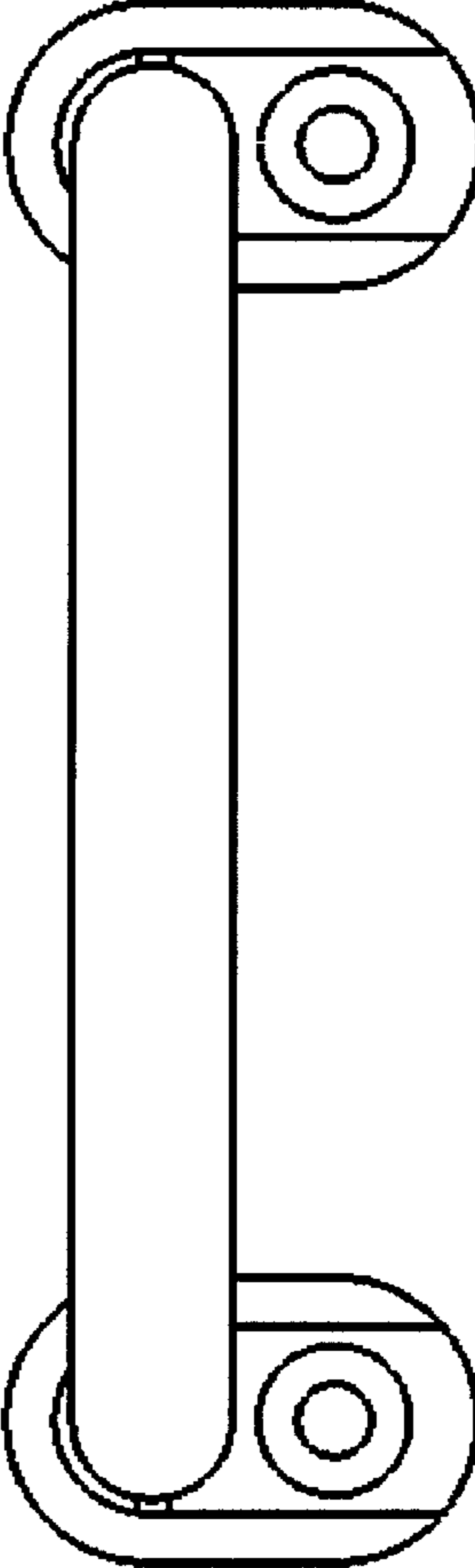


Fig. 2

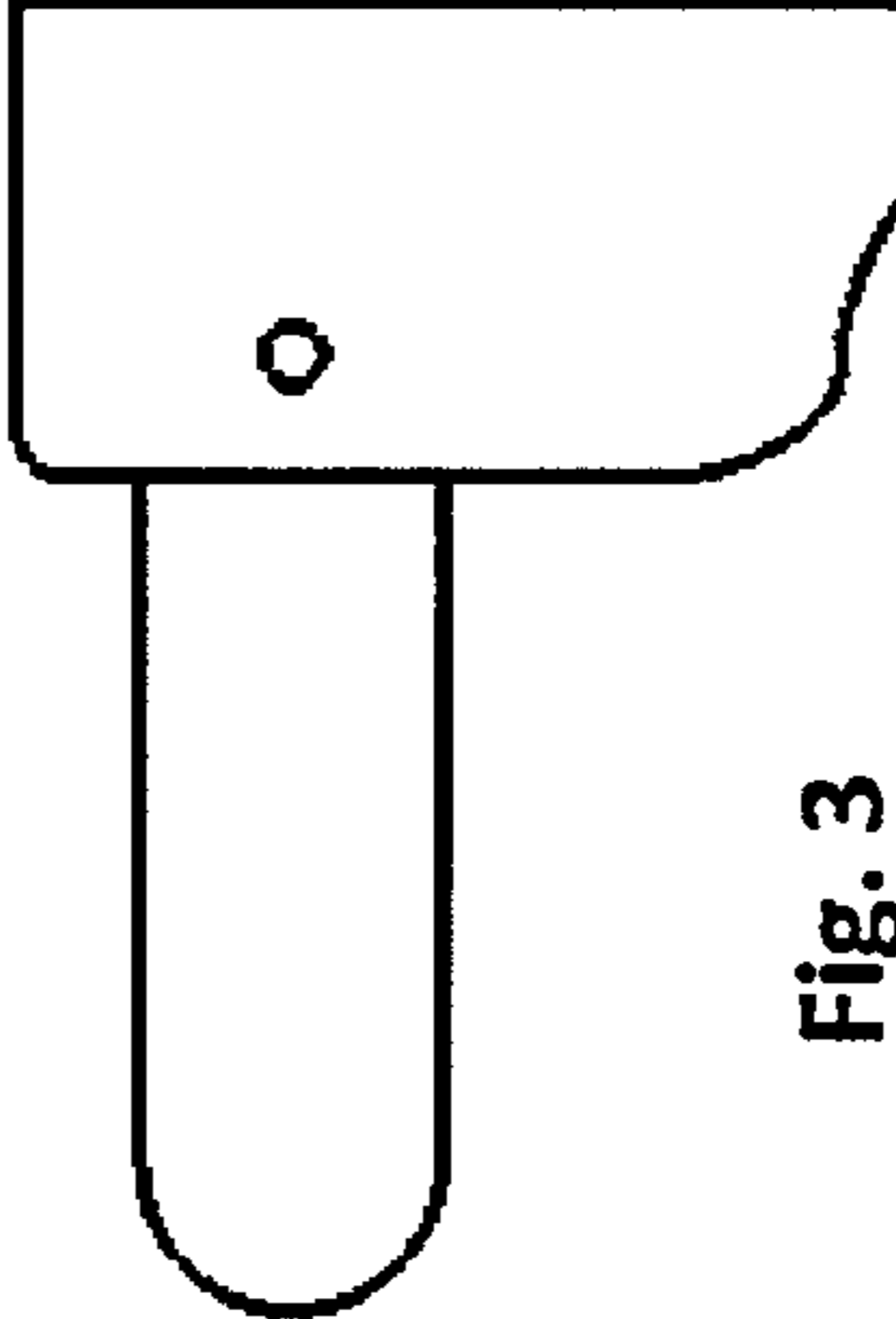


Fig. 3

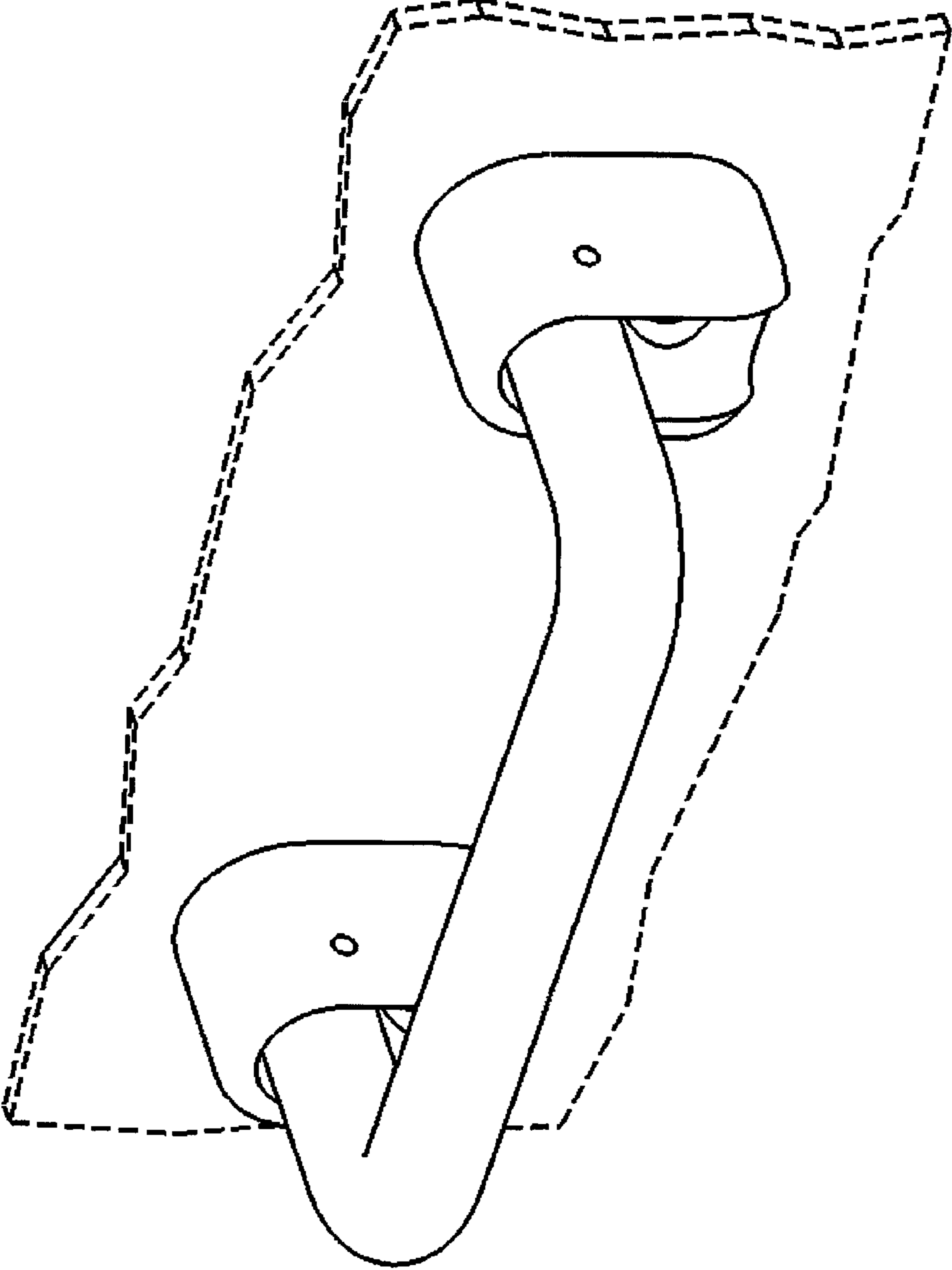


Fig. 4

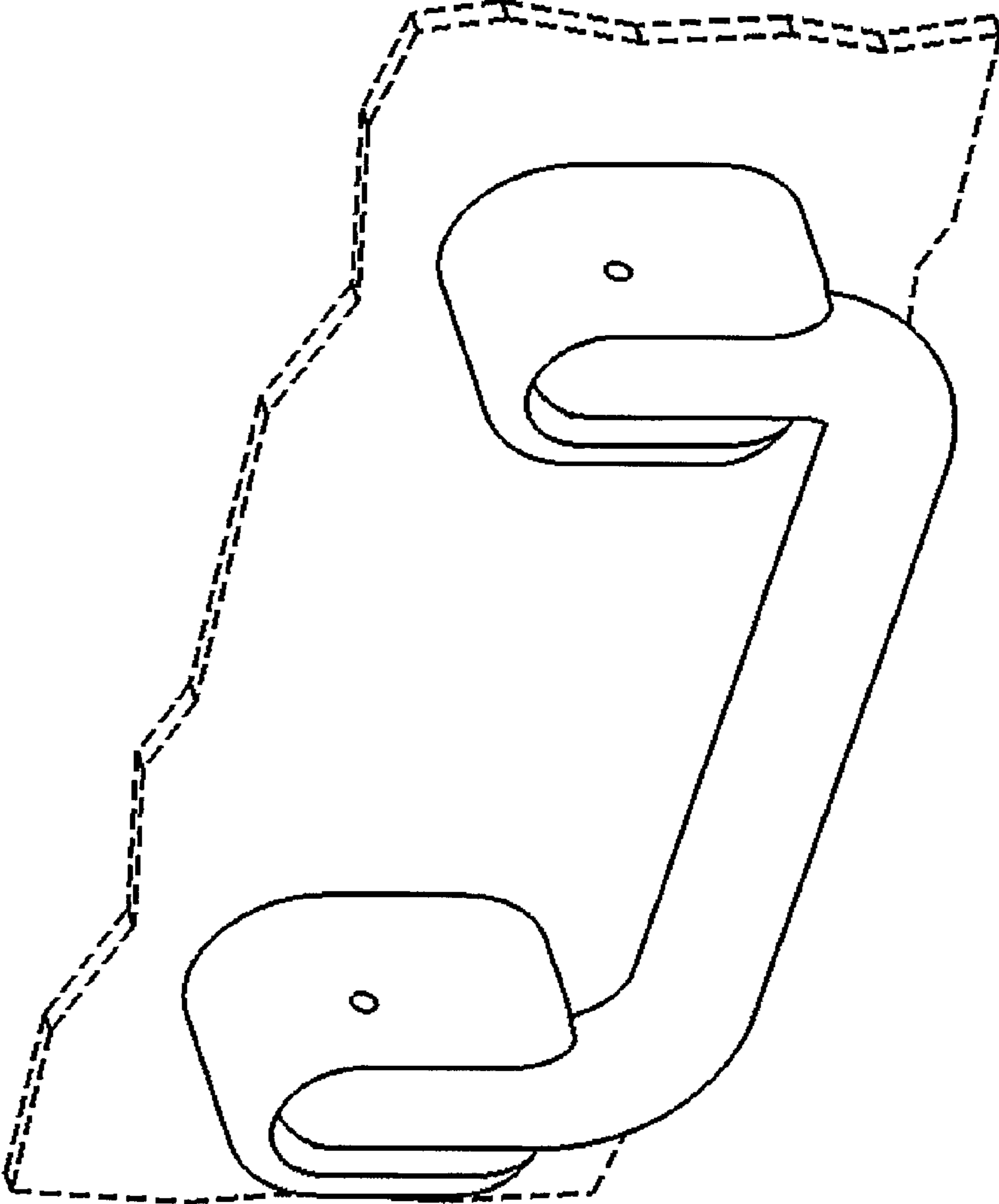


Fig. 5

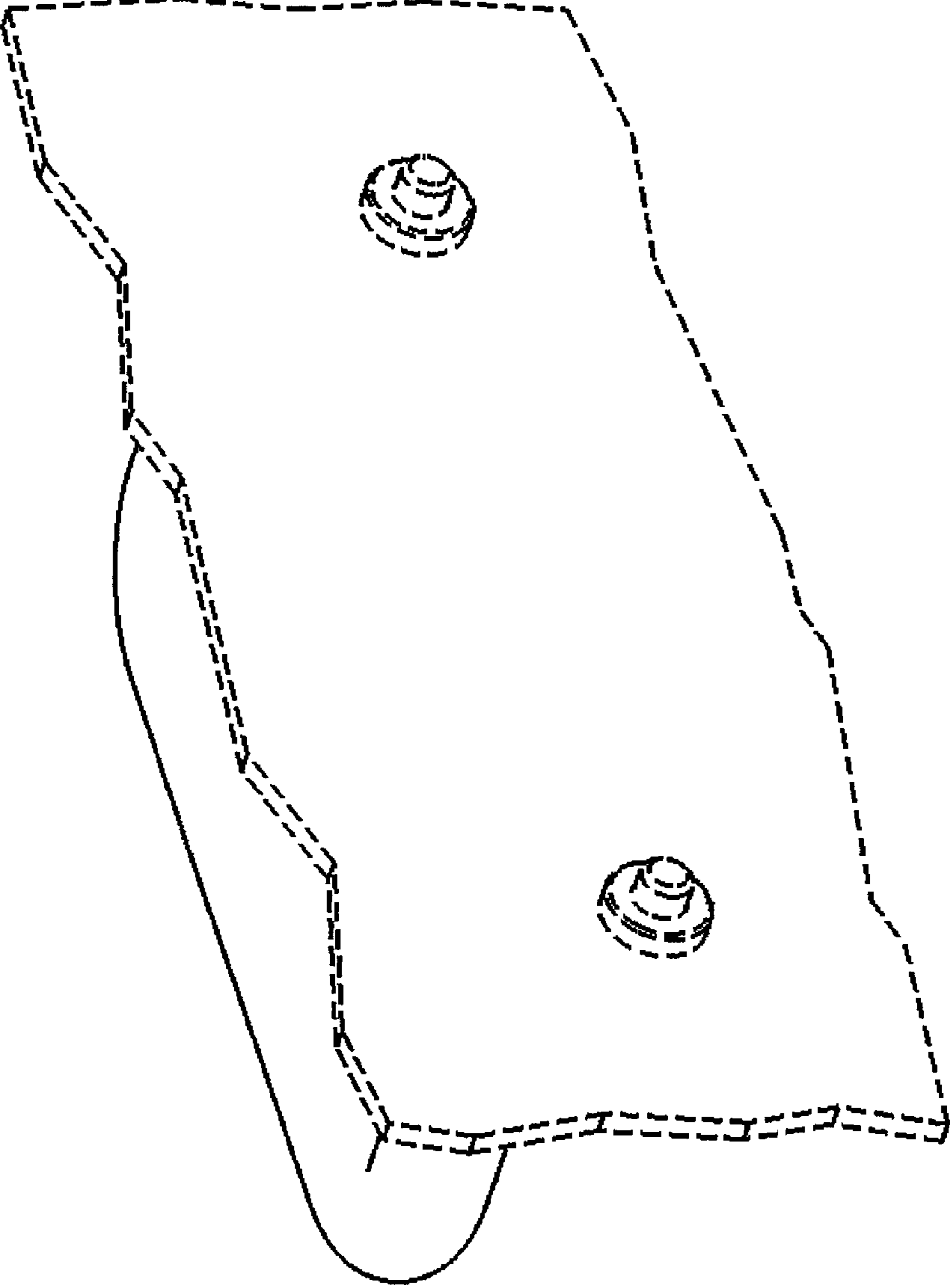


Fig. 6