



US00D739701S

(12) **United States Design Patent**
Jerry et al.

(10) **Patent No.:** **US D739,701 S**
(45) **Date of Patent:** **** Sep. 29, 2015**

(54) **DOOR HANDLE, ESCUTCHEON, AND LATCH ASSEMBLY**

(71) Applicant: **Hampton Products International Corporation**, Foothill Ranch, CA (US)

(72) Inventors: **Brian James Jerry**, Birchwood, WI (US); **Lucas Jeffrey Stanton**, Stone Lake, WI (US); **Kari Jo Hoffman**, Rice Lake, WI (US); **Emily Beth Gianoli**, Rice Lake, WI (US); **Michael Joseph Gianoli**, Birchwood, WI (US); **Kevin Mark Rothstein**, Rice Lake, WI (US)

(73) Assignee: **HAMPTON PRODUCTS INTERNATIONAL CORPORATION**, Foothill Ranch, CA (US)

(**) Term: **14 Years**

(21) Appl. No.: **29/497,873**

(22) Filed: **Jul. 29, 2014**

(51) **LOC (10) Cl.** **08-06**

(52) **U.S. Cl.**
USPC **D8/302**

(58) **Field of Classification Search**
USPC D8/300–302, 307–309, 310, 311, 10; D23/250, 252; 292/336.3; 74/523, 543; 70/192, 201, 206, 207; 16/110.1, 412, 16/416, DIG. 30
CPC Y10T 16/44; Y10T 74/20612; Y10T 74/20732; Y10T 16/458; Y10T 16/498; Y10T 16/469; Y10T 16/476; Y10T 74/20744; Y10T 74/20864; Y10T 16/4628; Y10T 74/20642; Y10T 16/473; Y10T 74/20762; Y10T 74/2042; Y10T 74/20828; Y10T 16/459; Y10T 16/4713; Y10T 74/2014; Y10T 16/50; Y10T 74/20438; Y10T 74/20582; Y10T 74/20738; Y10T 16/48; Y10T 74/20618; Y10T 74/20684; Y10T 74/20624; Y10T 74/20468; Y10T 16/61; Y10T 16/4719; Y10T 16/86; Y10S 16/30; Y10S 292/31; Y10S 292/53; Y10S 16/12;

Y10S 292/23; Y10S 292/27; Y10S 292/30; Y10S 292/63; E05B 85/16; E05B 1/0015; E05B 77/06; E05B 79/06; E05B 85/18; E05B 85/12; E05B 85/10; E05B 7/00; E05B 1/0053; E05B 77/265

See application file for complete search history.

(56) **References Cited**

U.S. PATENT DOCUMENTS

4,042,268 A * 8/1977 Coglan 292/347
D502,078 S * 2/2005 Denoual D8/301

(Continued)

Primary Examiner — Derrick Holland

Assistant Examiner — Lauren Calve

(74) *Attorney, Agent, or Firm* — Klein, O’Neill & Singh, LLP

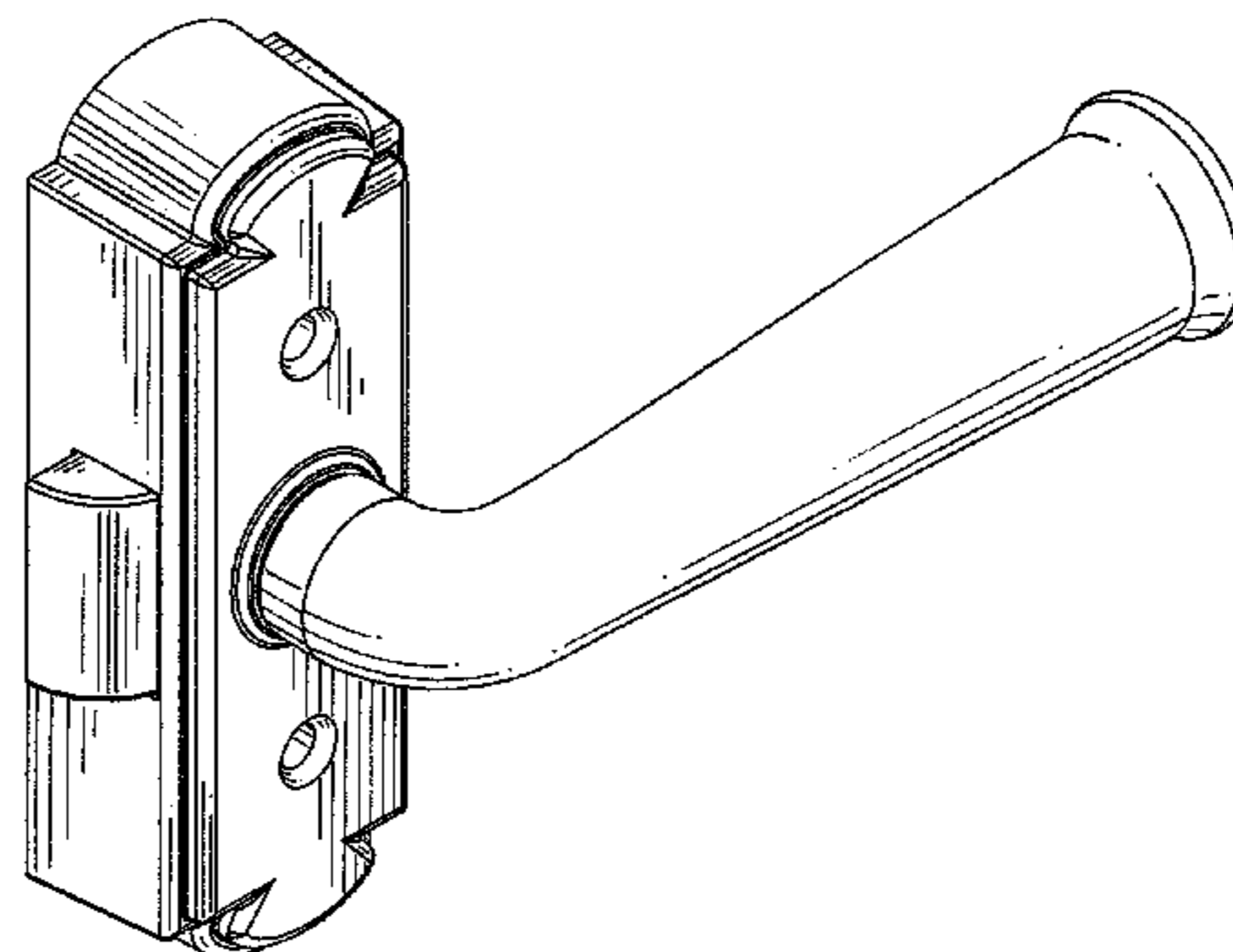
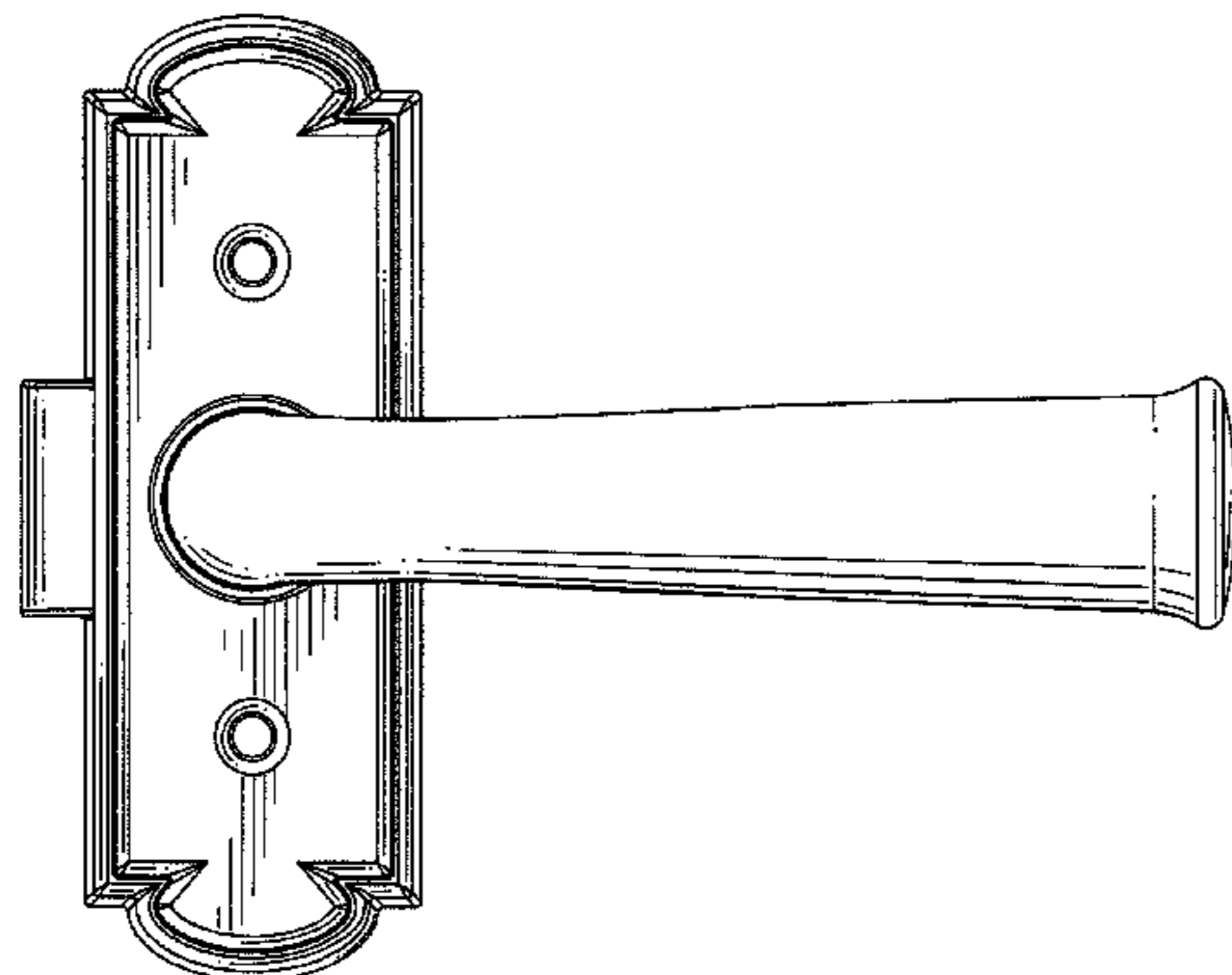
(57) **CLAIM**

The ornamental design for a door handle, escutcheon, and latch assembly, as shown and described.

DESCRIPTION

FIG. 1 is a front elevation view of a door handle, escutcheon, and latch assembly, in accordance with our new design; FIG. 2 is a rear elevation view of the door handle, escutcheon, and latch assembly shown in FIG. 1; FIG. 3 is a top plan view of the door handle, escutcheon, and latch assembly shown in FIG. 1; FIG. 4 is a bottom plan view of the door handle, escutcheon, and latch assembly shown in FIG. 1; FIG. 5 is a left side elevation view of the door handle, escutcheon, and latch assembly shown in FIG. 1; FIG. 6 is a right side elevation view of the door handle, escutcheon, and latch assembly shown in FIG. 1; FIG. 7 is a front, top, and right side perspective view of the door handle, escutcheon, and latch assembly shown in FIG. 1; and, FIG. 8 is a front, top, and left side perspective view of the door handle, escutcheon, and latch assembly shown in FIG. 1. The broken lines shown represent unclaimed subject matter and form no part of the claimed design.

1 Claim, 8 Drawing Sheets



US D739,701 S

Page 2

(56)

References Cited

D589,324 S * 3/2009 Schneider D8/308
D691,452 S * 10/2013 Weathersby et al. D8/302

U.S. PATENT DOCUMENTS

7,347,462 B2 * 3/2008 Ellis et al. 292/348 * cited by examiner

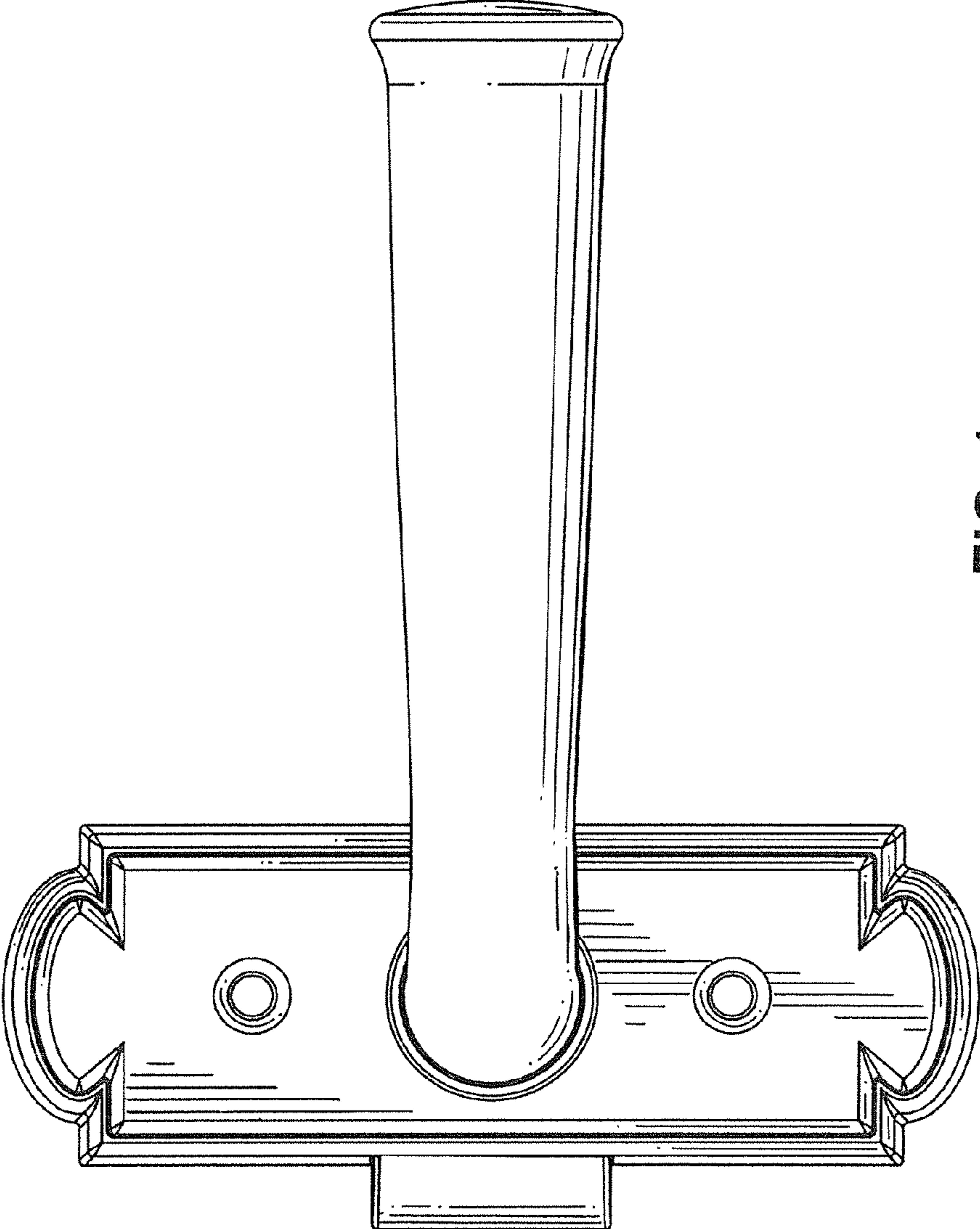


FIG. 1

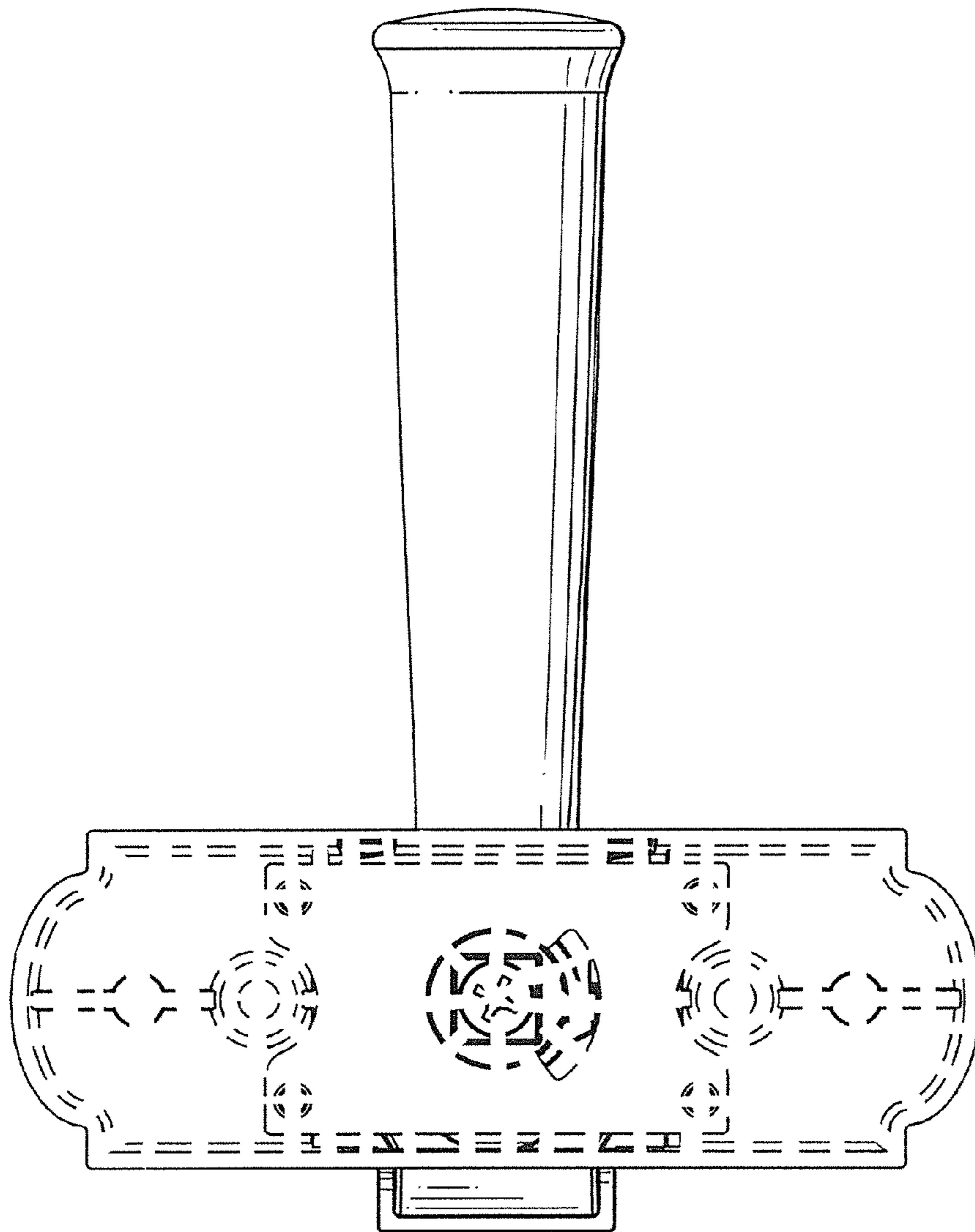


FIG. 2

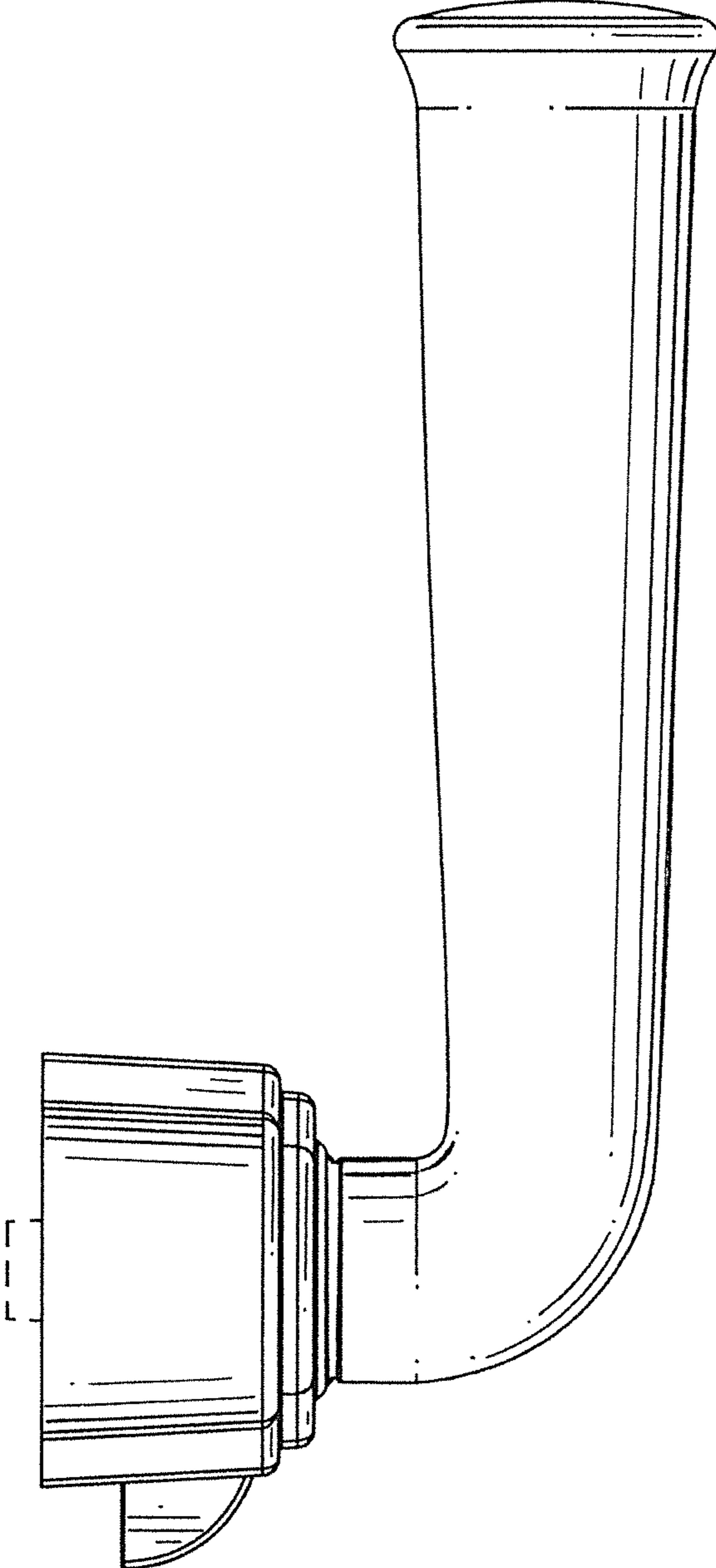


FIG. 3

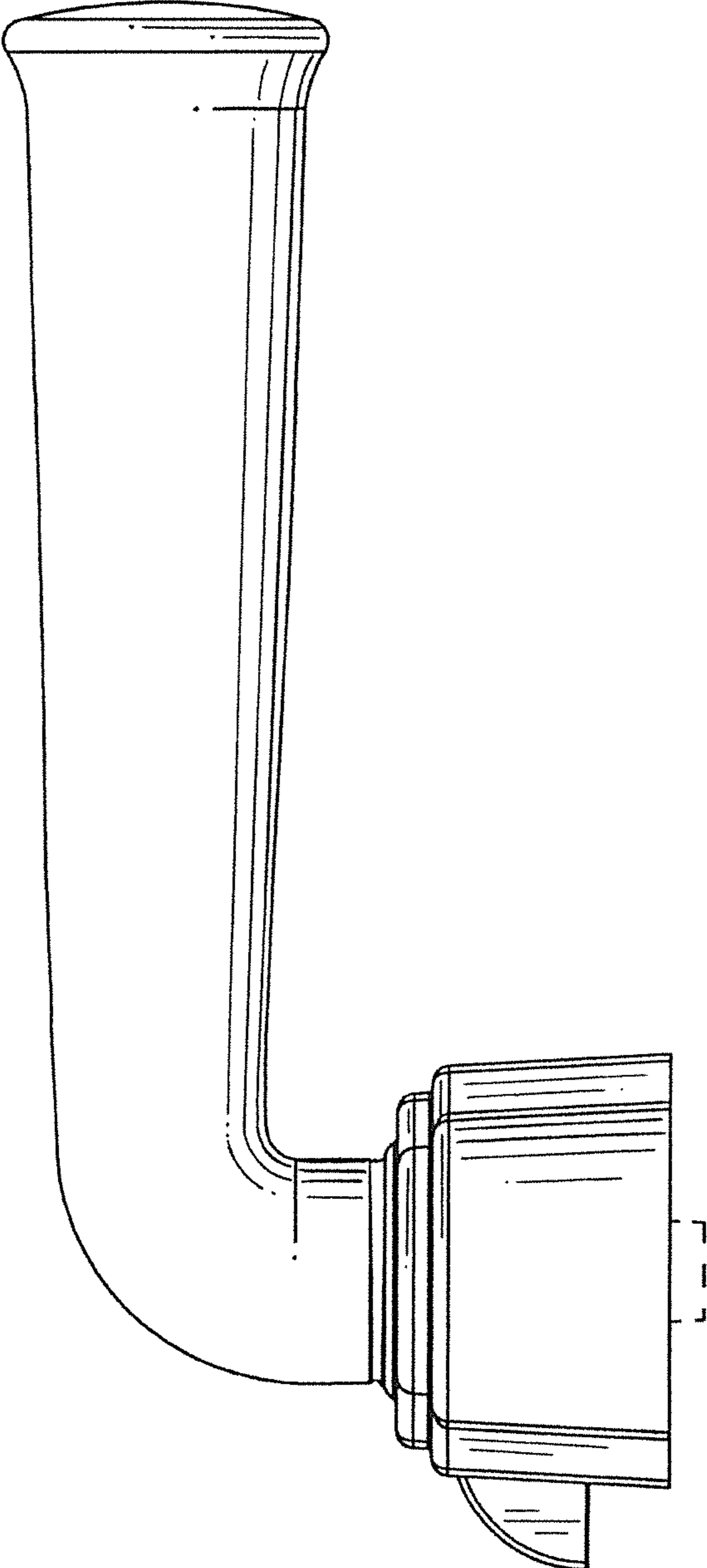


FIG. 4

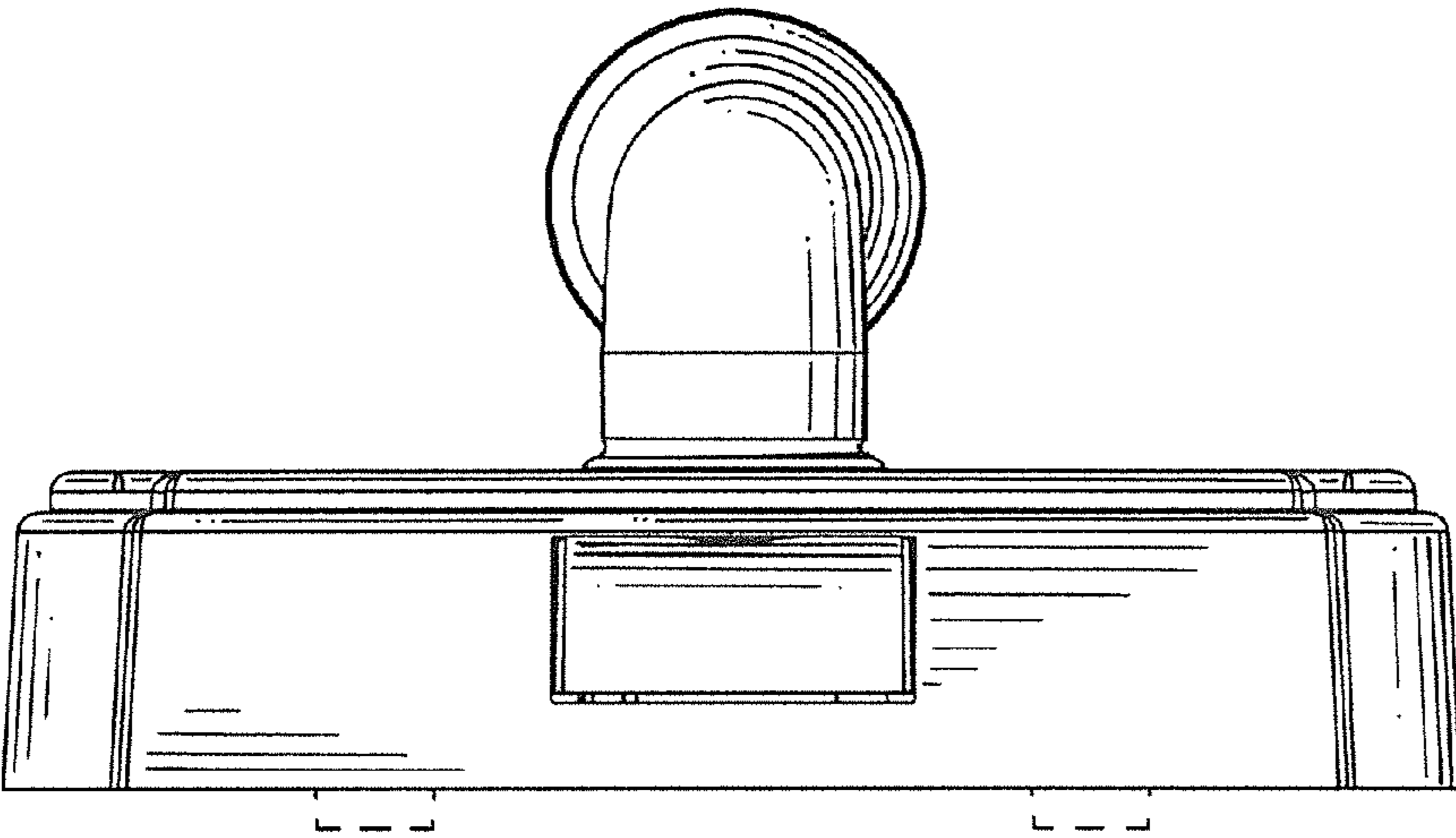


FIG. 5

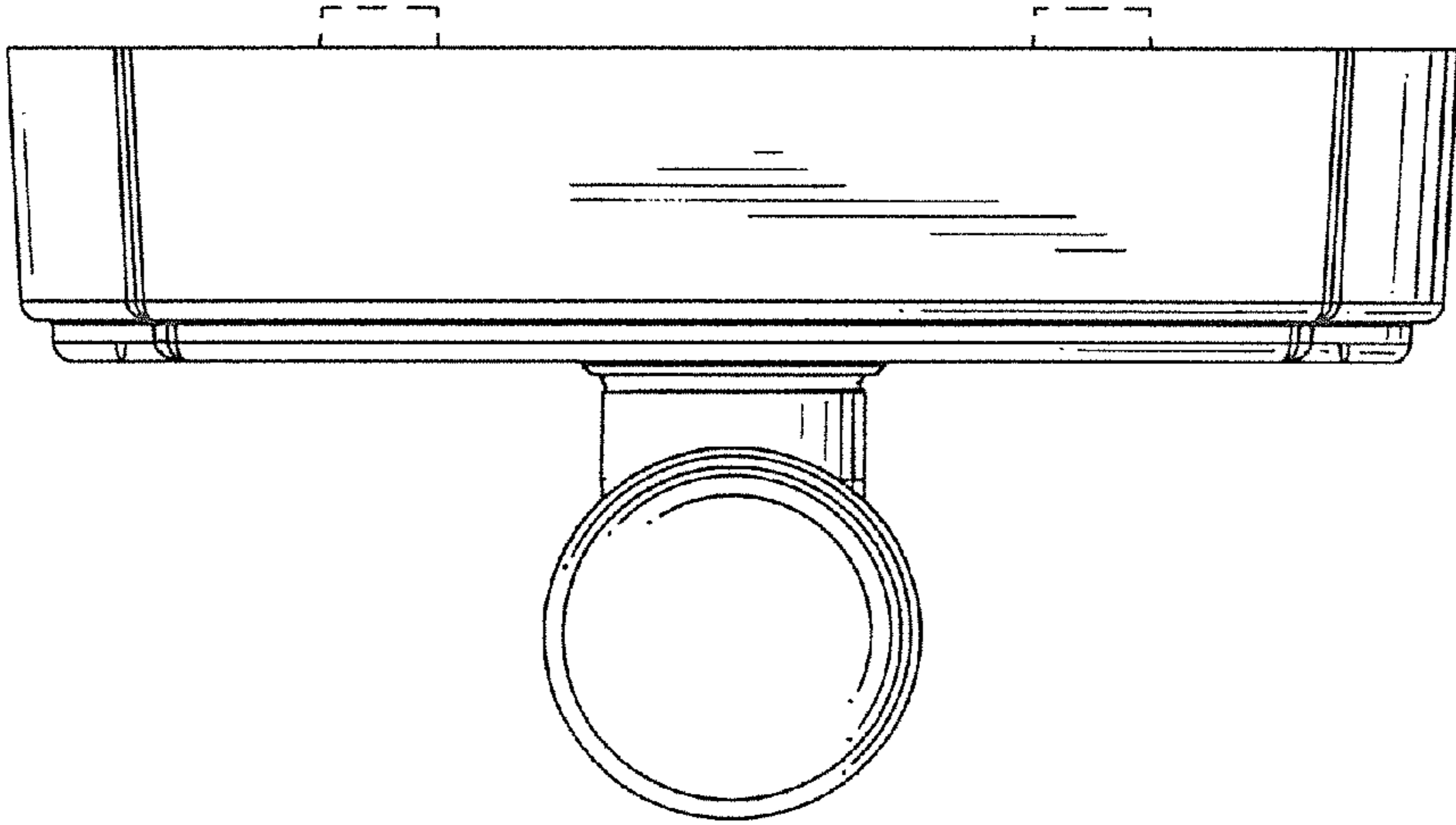


FIG. 6

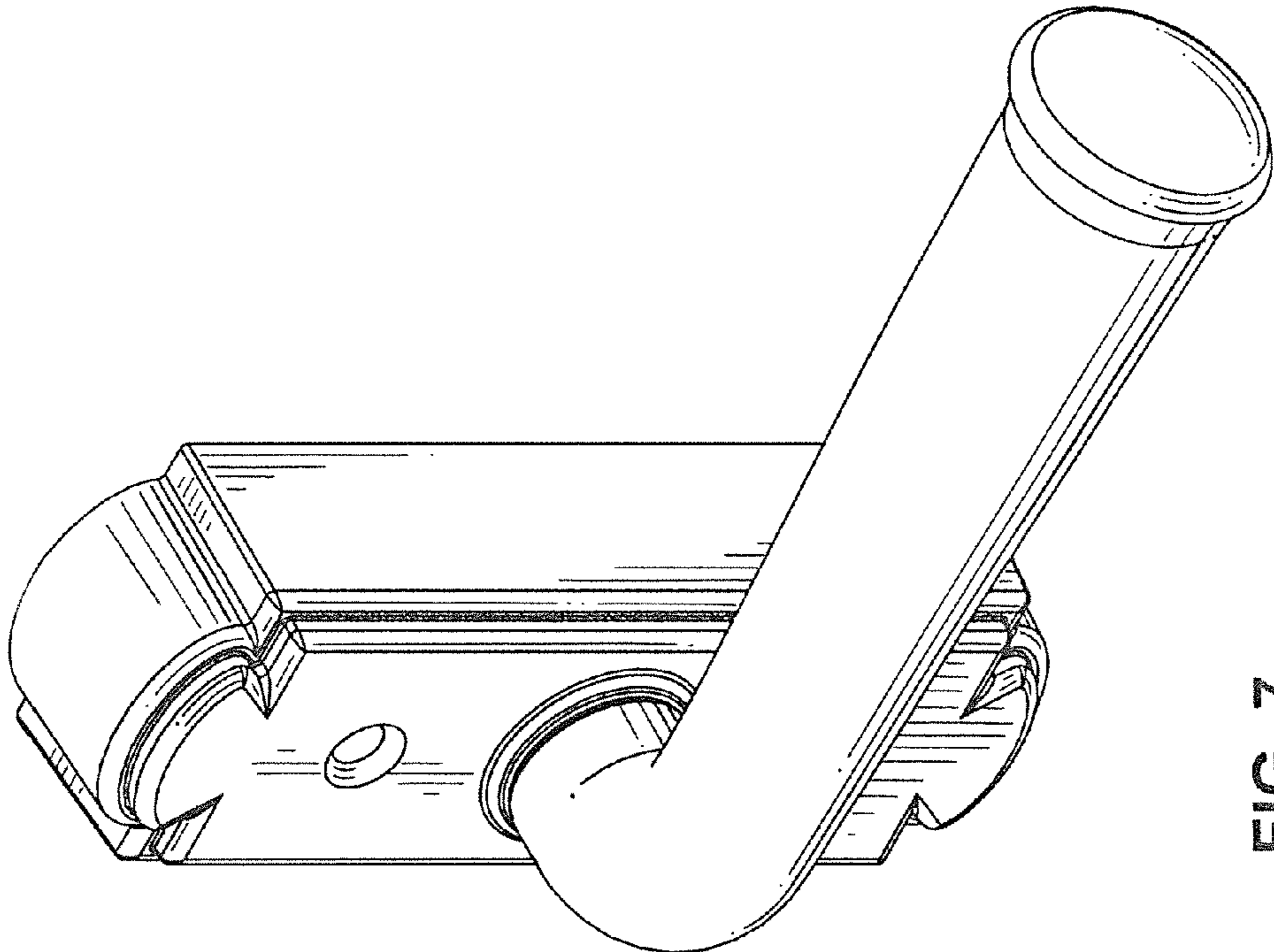


FIG. 7

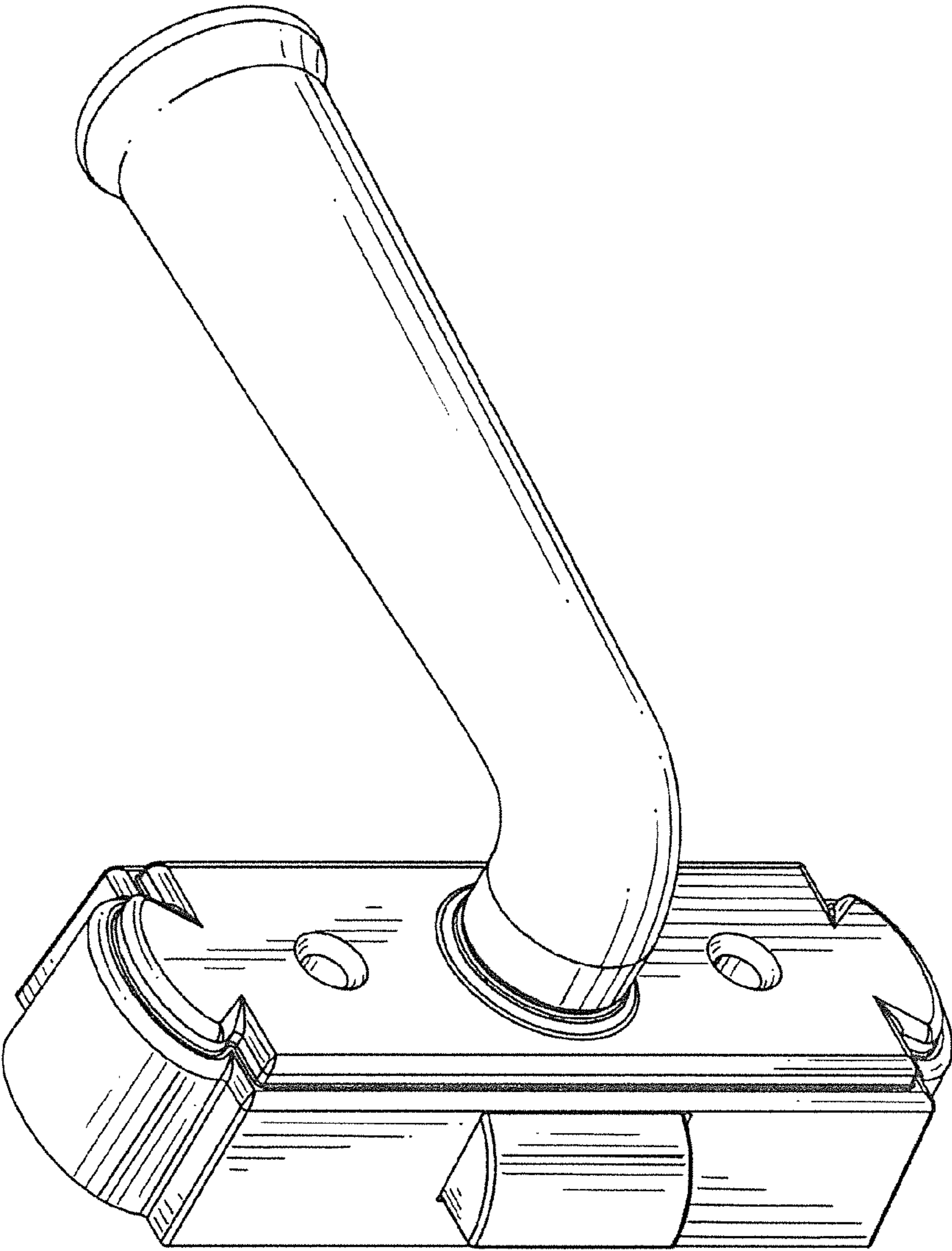


FIG. 8