



US00D739700S

(12) **United States Design Patent**
Stanton et al.

(10) **Patent No.:** **US D739,700 S**
(45) **Date of Patent:** **** Sep. 29, 2015**

(54) **DOOR HANDLE**

E05B 85/12; E05B 85/10; E05B 7/00; E05B
1/0053; E05B 77/265

(71) Applicant: **HAMPTON PRODUCTS**
INTERNATIONAL CORPORATION,
Foothill Ranch, CA (US)

See application file for complete search history.

(72) Inventors: **Lucas Jeffrey Stanton,** Stone Lake, WI
(US); **Brian James Jerry,** Birchwood,
WI (US)

(56) **References Cited**

U.S. PATENT DOCUMENTS

(73) Assignee: **HAMPTON PRODUCTS**
INTERNATIONAL CORPORATION,
Foothill Ranch, CA (US)

D261,726	S	*	11/1981	Valli	D8/301
D362,380	S	*	9/1995	Ellis et al.	D8/301
D458,829	S	*	6/2002	Zoerner	D8/308
D499,326	S	*	12/2004	Roberts, III	D8/302
D531,482	S	*	11/2006	Chen	D8/302
7,364,212	B1	*	4/2008	Fan	292/336.3

(Continued)

(**) Term: **14 Years**

Primary Examiner — Derrick Holland

(21) Appl. No.: **29/483,122**

Assistant Examiner — Lauren Calve

(22) Filed: **Feb. 25, 2014**

(74) *Attorney, Agent, or Firm* — Klein, O'Neill & Singh,
LLP

(51) **LOC (10) Cl.** **08-06**

(52) **U.S. Cl.**
USPC **D8/302**

(57) **CLAIM**

The ornamental design for a door handle, as shown and
described.

(58) **Field of Classification Search**

USPC D8/300–302, 307–309, 310, 311,
D8/DIG. 10; D23/250, 252; 292/336.3;
74/523, 543; 70/192, 201, 206, 207;
16/110.1, 412, 416, DIG. 30

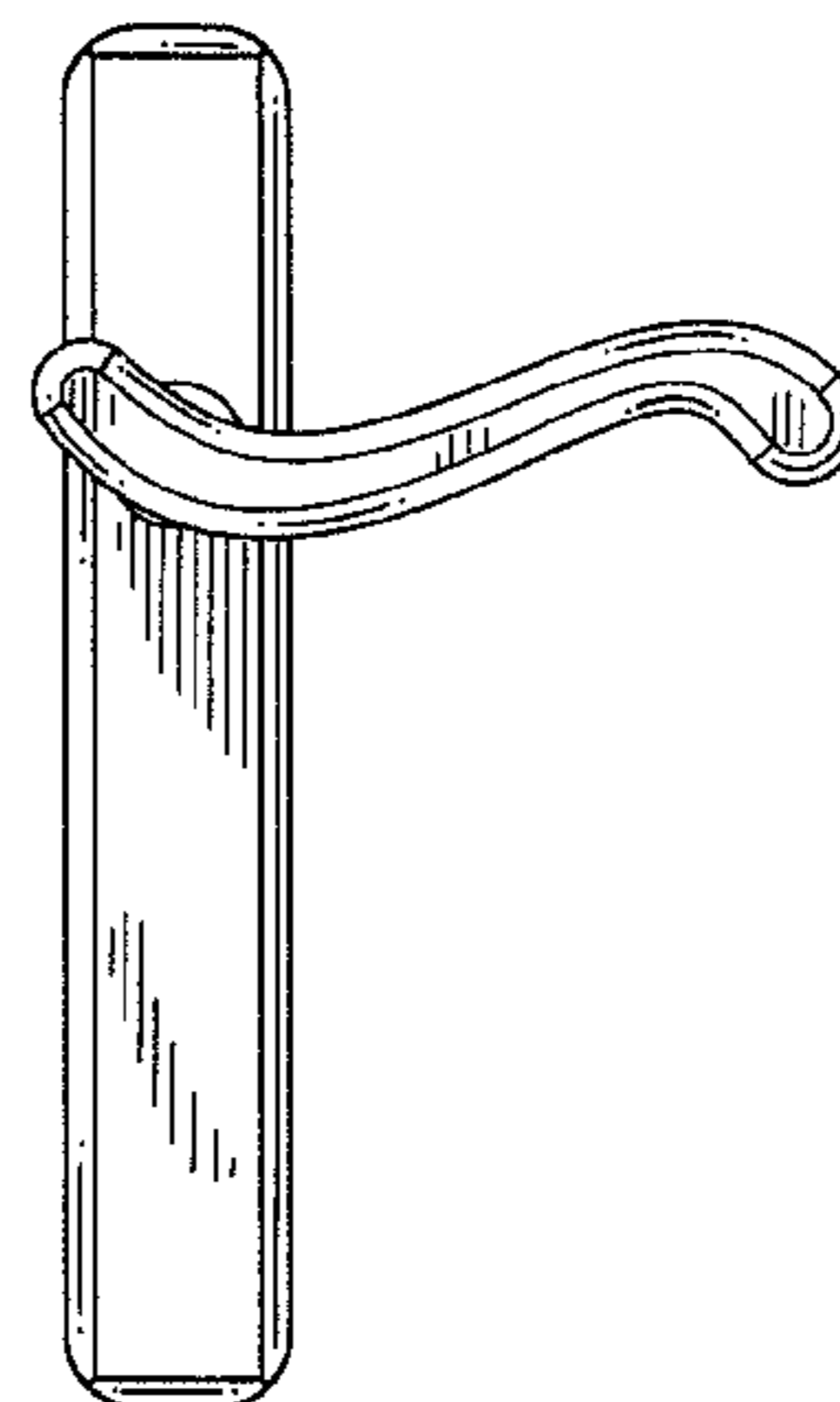
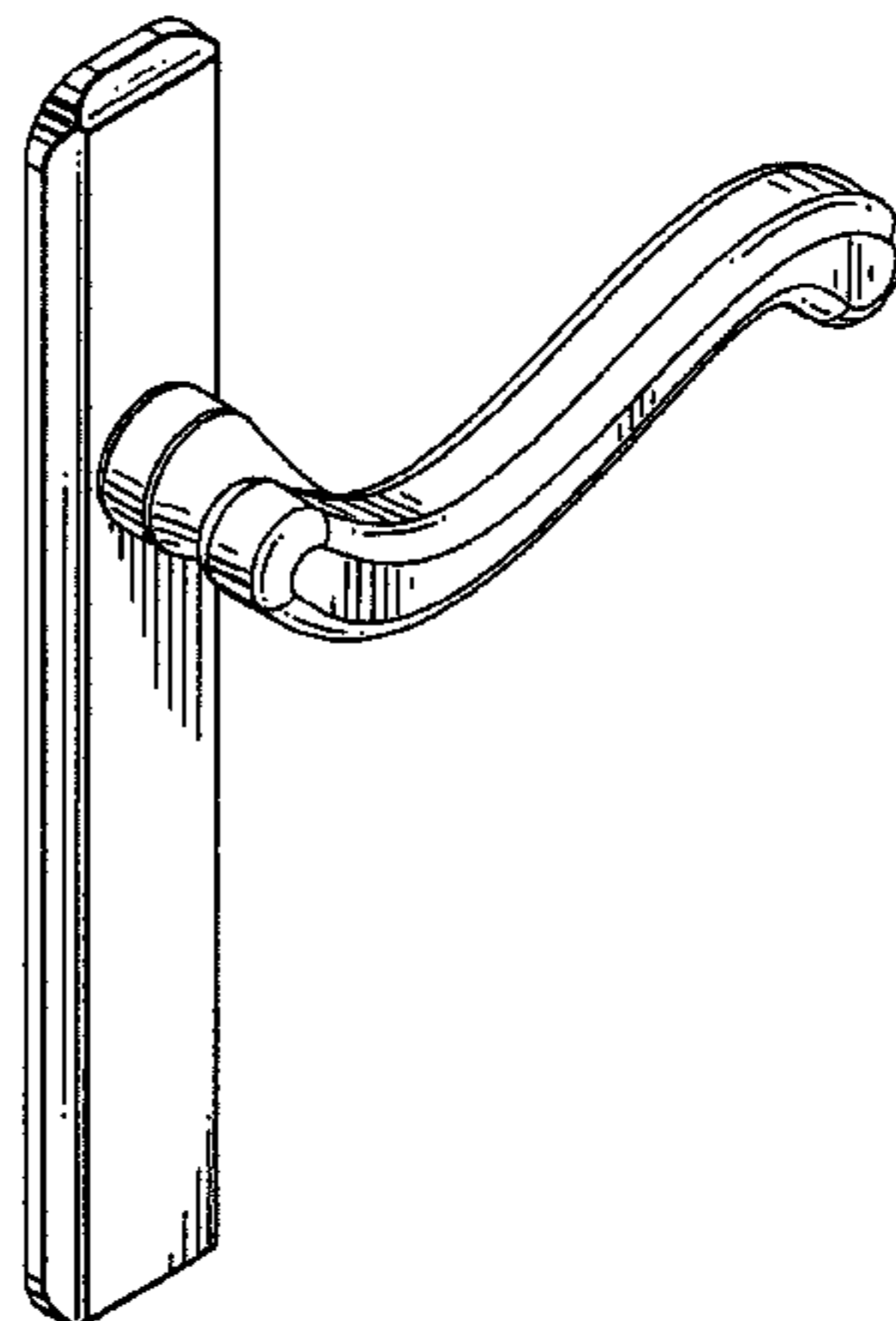
CPC Y10T 16/44; Y10T 74/20612; Y10T
74/20732; Y10T 16/458; Y10T 16/498;
Y10T 16/469; Y10T 16/476; Y10T 74/20744;
Y10T 74/20864; Y10T 16/4628; Y10T
74/20642; Y10T 16/473; Y10T 74/20762;
Y10T 74/2042; Y10T 74/20828; Y10T
16/459; Y10T 16/4713; Y10T 74/2014;
Y10T 16/50; Y10T 74/20438; Y10T
74/20582; Y10T 74/20738; Y10T 16/48;
Y10T 74/20618; Y10T 74/20684; Y10T
74/20624; Y10T 74/20468; Y10T 16/61;
Y10T 16/4719; Y10T 16/86; Y10S 16/30;
Y10S 292/31; Y10S 292/53; Y10S 16/12;
Y10S 292/23; Y10S 292/27; Y10S 292/30;
Y10S 292/63; E05B 85/16; E05B 1/0015;
E05B 77/06; E05B 79/06; E05B 85/18;

DESCRIPTION

FIG. 1 is a front, top, left side perspective view of a door handle, in accordance with our new design;
FIG. 2 is a front elevation view of the door handle shown in FIG. 1;
FIG. 3 is a side elevation view of the door handle shown in FIG. 1;
FIG. 4 is an opposite side elevation view of the door handle shown in FIG. 1;
FIG. 5 is a top plan view of the door handle shown in FIG. 1;
FIG. 6 is a bottom plan view of the door handle shown in FIG. 1; and,
FIG. 7 is a rear elevation view of the door handle shown in FIG. 1.

The broken lines shown represent unclaimed subject matter and form no part of the claimed design.

1 Claim, 3 Drawing Sheets



US D739,700 S

Page 2

(56)

References Cited

U.S. PATENT DOCUMENTS

D579,302 S *	10/2008	Roberts, III	D8/302	2005/0073157 A1*	4/2005	Etlicher	292/336.3
2004/0169379 A1*	9/2004	Hemping	292/336.3	2005/0125954 A1*	6/2005	Shyu	16/412
					2005/0167995 A1*	8/2005	Wallis et al.	292/336.3
					2006/0125248 A1*	6/2006	Heeley et al.	292/336.3

* cited by examiner

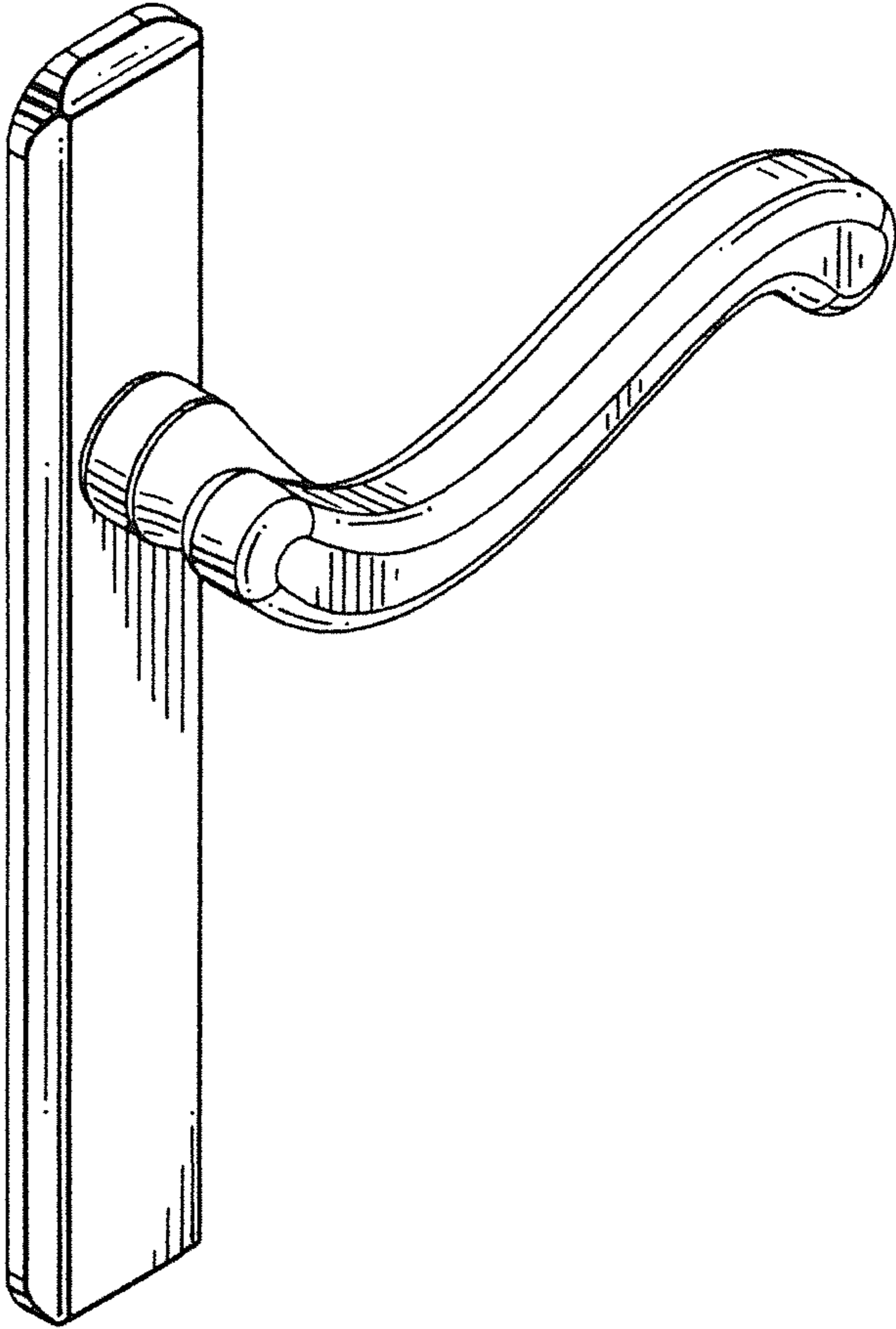


FIG. 1

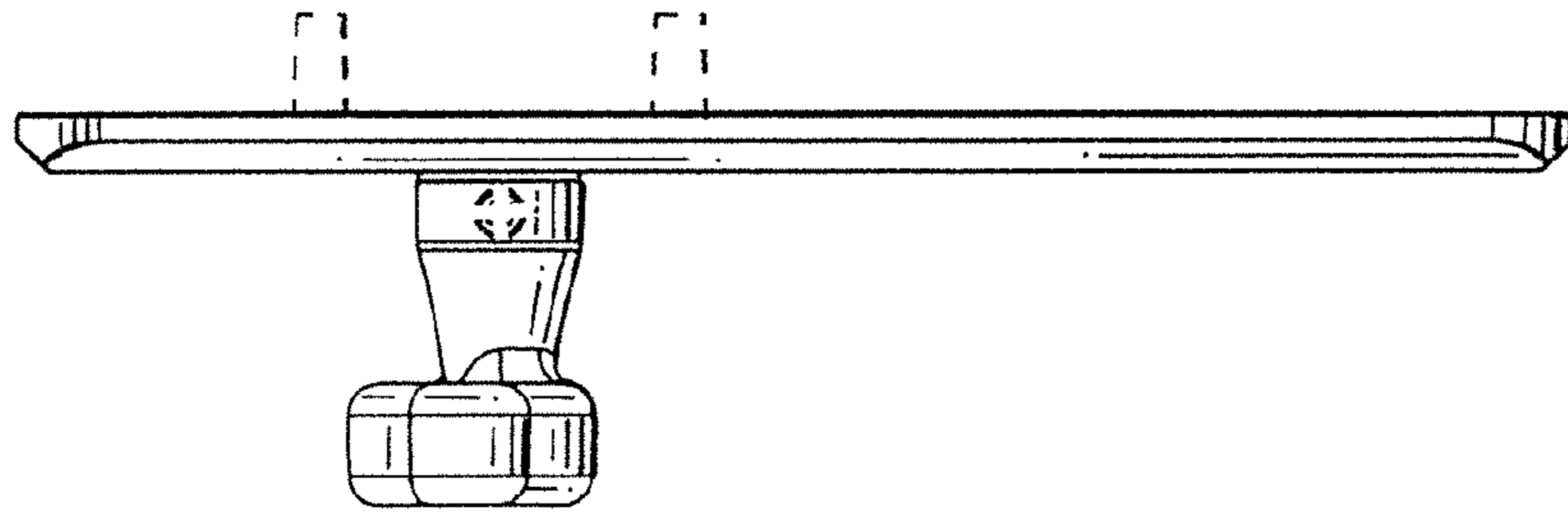


FIG. 4

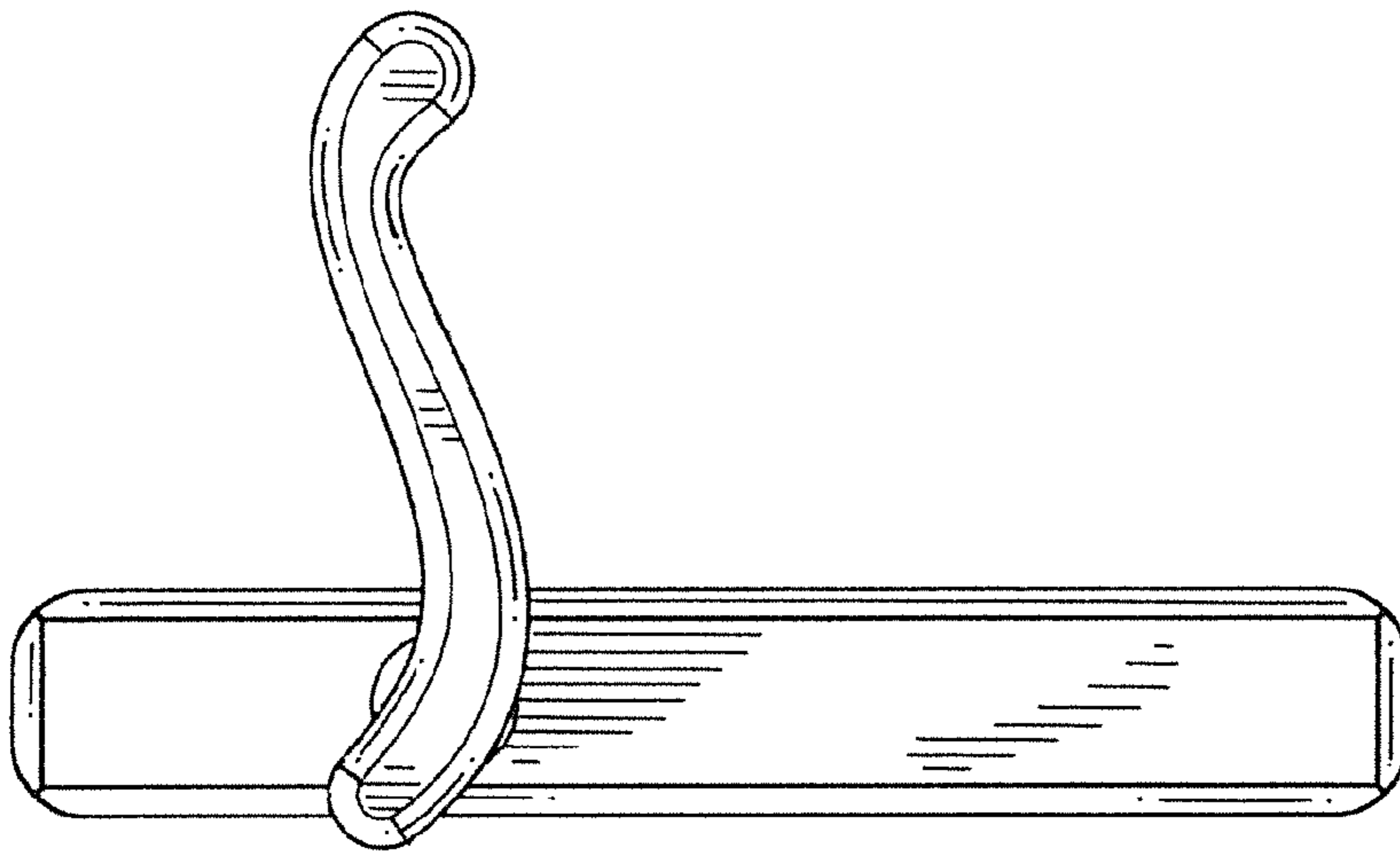


FIG. 2

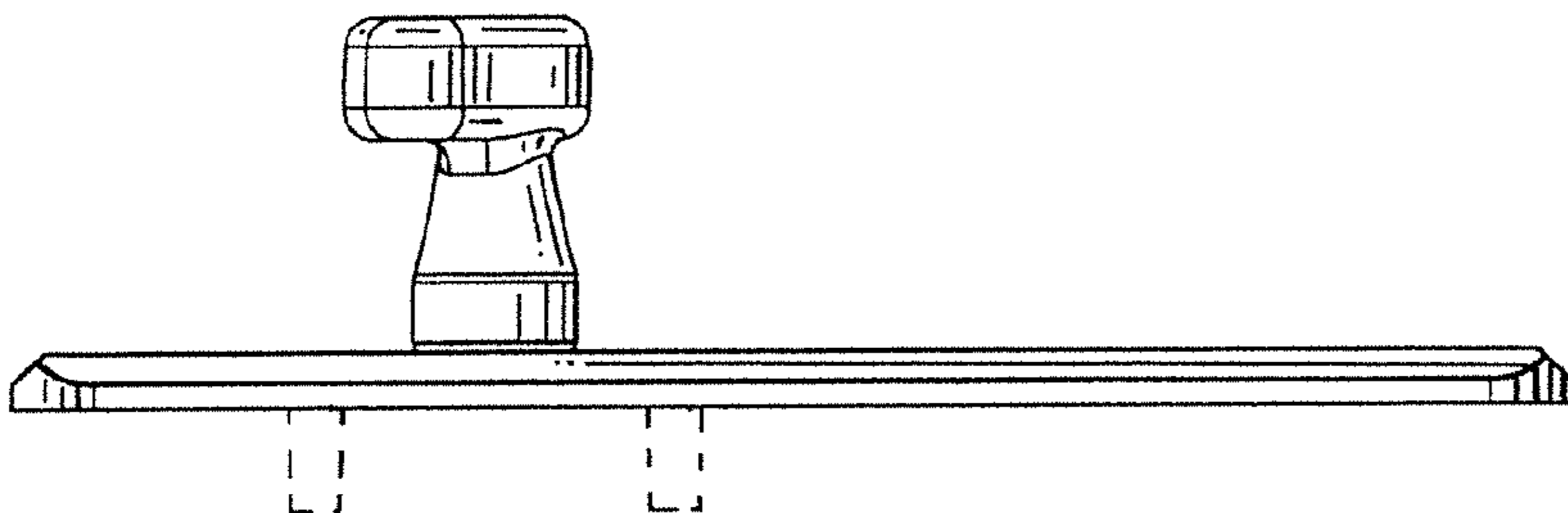


FIG. 3

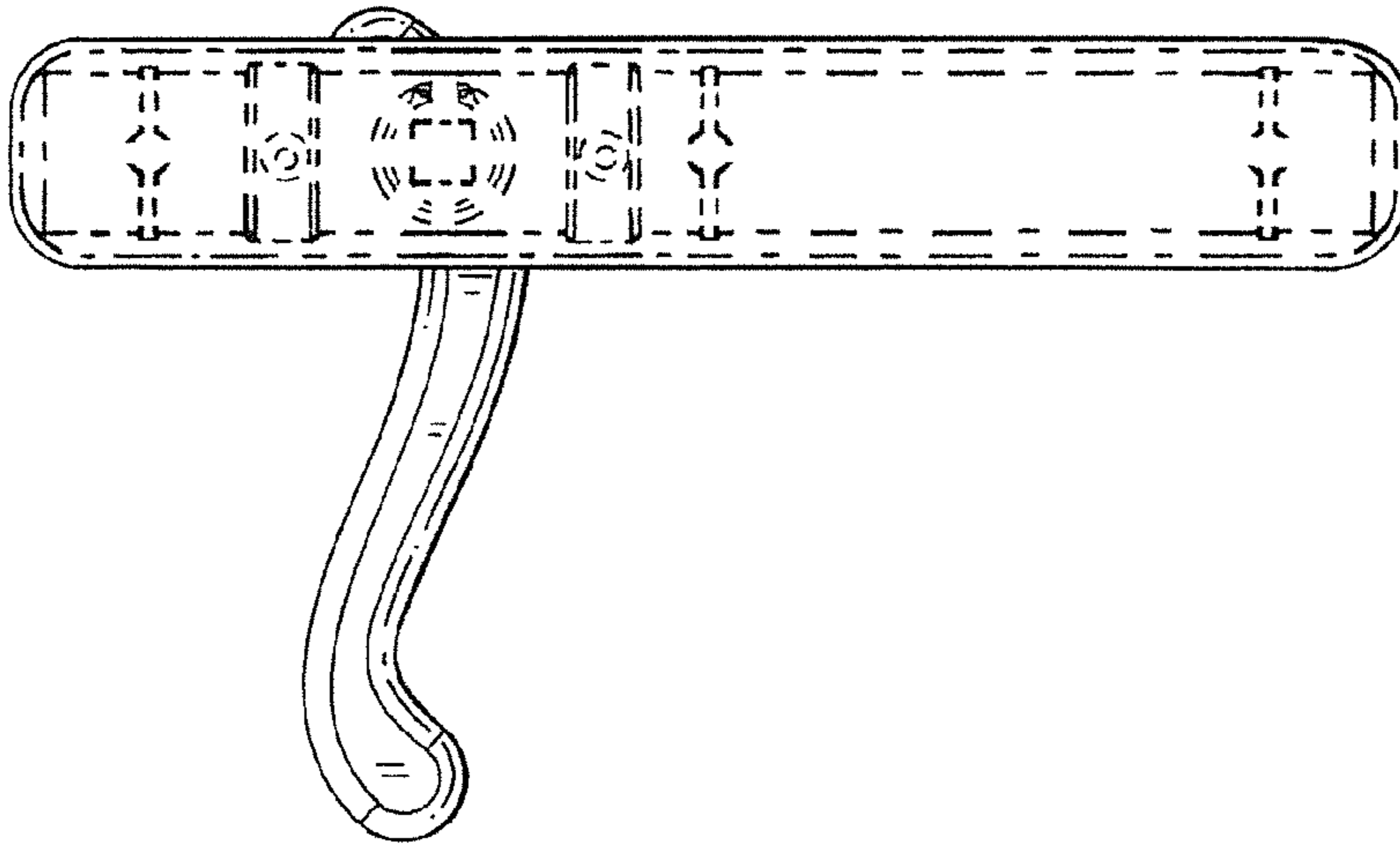


FIG. 7

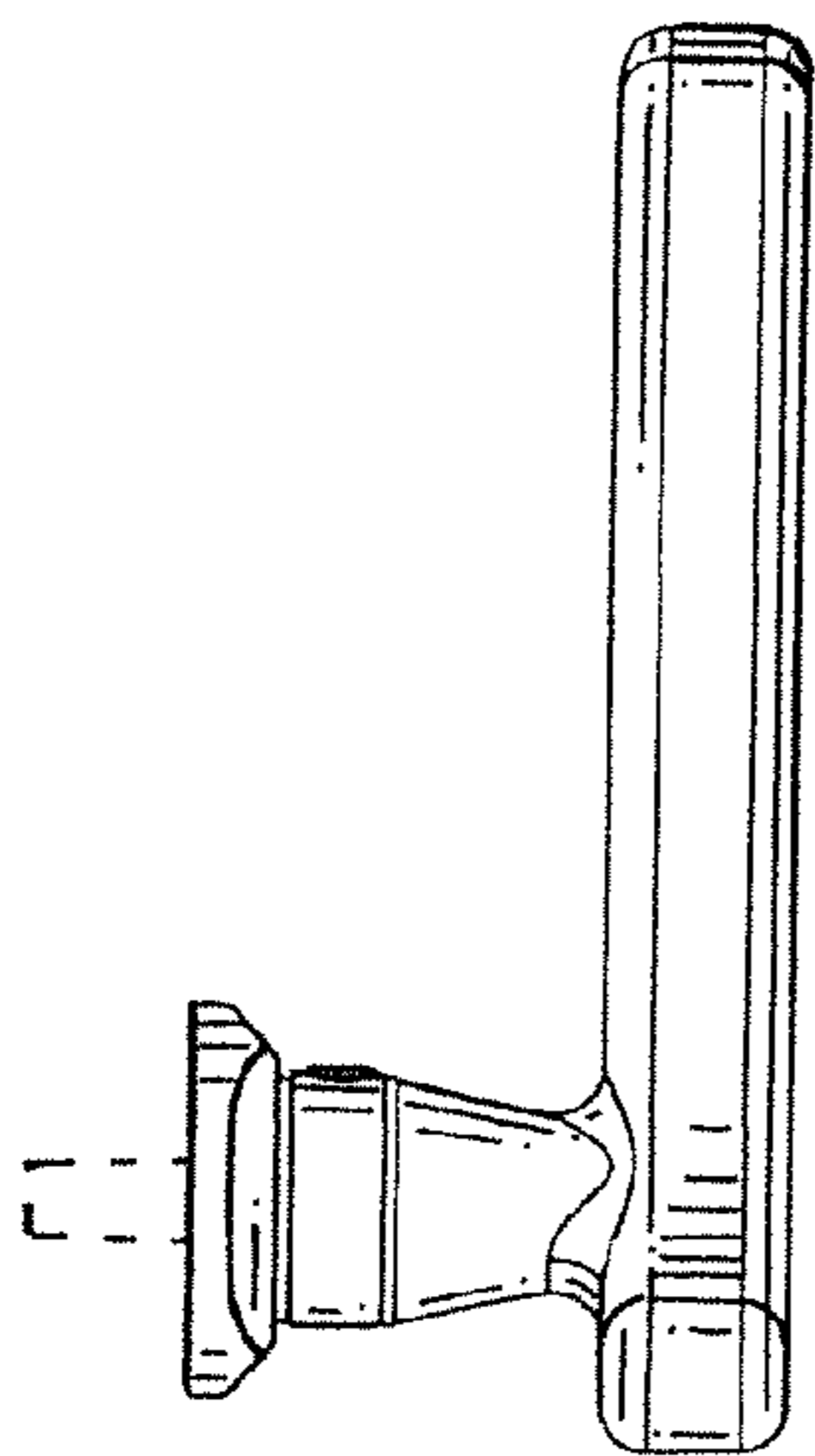


FIG. 5

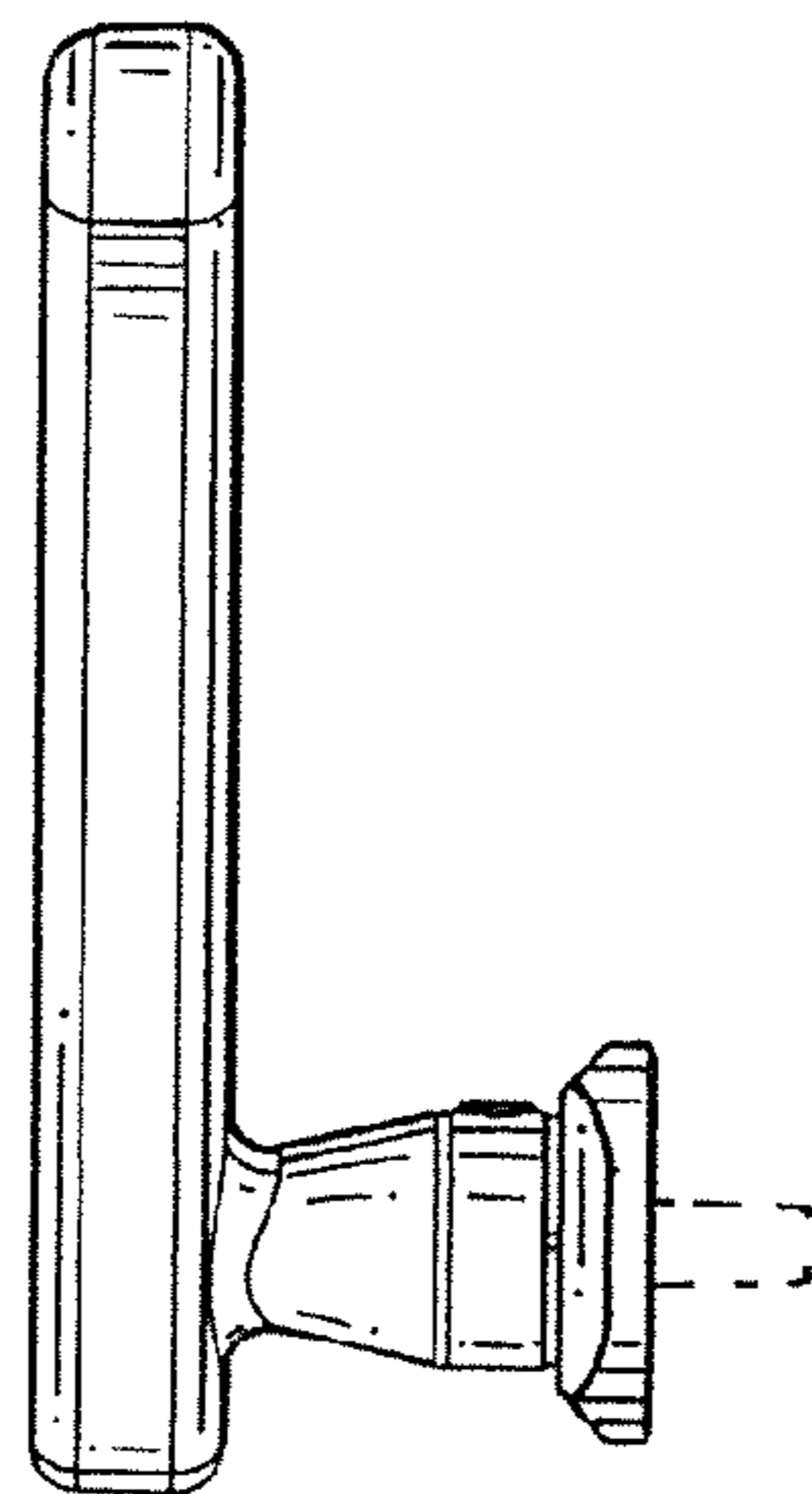


FIG. 6