



US00D739699S

(12) **United States Design Patent**  
**Jerry et al.**

(10) **Patent No.:** **US D739,699 S**

(45) **Date of Patent:** **\*\* Sep. 29, 2015**

(54) **DOOR HANDLE AND ESCUTCHEON ASSEMBLY**

(71) Applicant: **Hampton Products International Corporation**, Foothill Ranch, CA (US)

(72) Inventors: **Brian James Jerry**, Birchwood, WI (US); **Lucas Jeffrey Stanton**, Stone Lake, WI (US); **Kari Jo Hoffman**, Rice Lake, WI (US); **Emily Beth Gianoli**, Rice Lake, WI (US); **Michael Joseph Gianoli**, Birchwood, WI (US); **Kevin Mark Rothstein**, Rice Lake, WI (US)

(73) Assignee: **HAMPTON PRODUCTS INTERNATIONAL CORPORATION**, Foothill Ranch, CA (US)

(\*\*) Term: **14 Years**

(21) Appl. No.: **29/497,875**

(22) Filed: **Jul. 29, 2014**

(51) **LOC (10) Cl.** ..... **08-06**

(52) **U.S. Cl.**  
USPC ..... **D8/301**

(58) **Field of Classification Search**  
USPC ..... D8/300-302, 307-309, 310, 311, D8/DIG. 10; D23/250, 252; 292/336.3; 74/523, 543; 70/192, 201, 206, 207; 16/110.1, 412, 416, DIG. 30  
CPC ..... Y10T 16/44; Y10T 74/20612; Y10T 74/20732; Y10T 16/458; Y10T 16/498; Y10T 16/469; Y10T 16/476; Y10T 74/20744; Y10T 74/20864; Y10T 16/4628; Y10T 74/20642; Y10T 16/473; Y10T 74/20762; Y10T 74/2042; Y10T 74/20828; Y10T 16/459; Y10T 16/4713; Y10T 74/2014; Y10T 16/50; Y10T 74/20438; Y10T 74/20582; Y10T 74/20738; Y10T 16/48; Y10T 74/20618; Y10T 74/20684; Y10T 74/20624; Y10T 74/20468; Y10T 16/61; Y10T 16/4719; Y10T 16/86; Y10S 16/30;

Y10S 292/31; Y10S 292/53; Y10S 16/12; Y10S 292/23; Y10S 292/27; Y10S 292/30; Y10S 292/63; E05B 85/16; E05B 1/0015; E05B 77/06; E05B 79/06; E05B 85/18; E05B 85/12; E05B 85/10; E05B 7/00; E05B 1/0053; E05B 77/265

See application file for complete search history.

(56) **References Cited**

U.S. PATENT DOCUMENTS

D261,726 S \* 11/1981 Valli ..... D8/301  
D499,326 S \* 12/2004 Roberts, III ..... D8/302

(Continued)

*Primary Examiner* — Derrick Holland

*Assistant Examiner* — Lauren Calve

(74) *Attorney, Agent, or Firm* — Klein, O'Neill & Singh, LLP

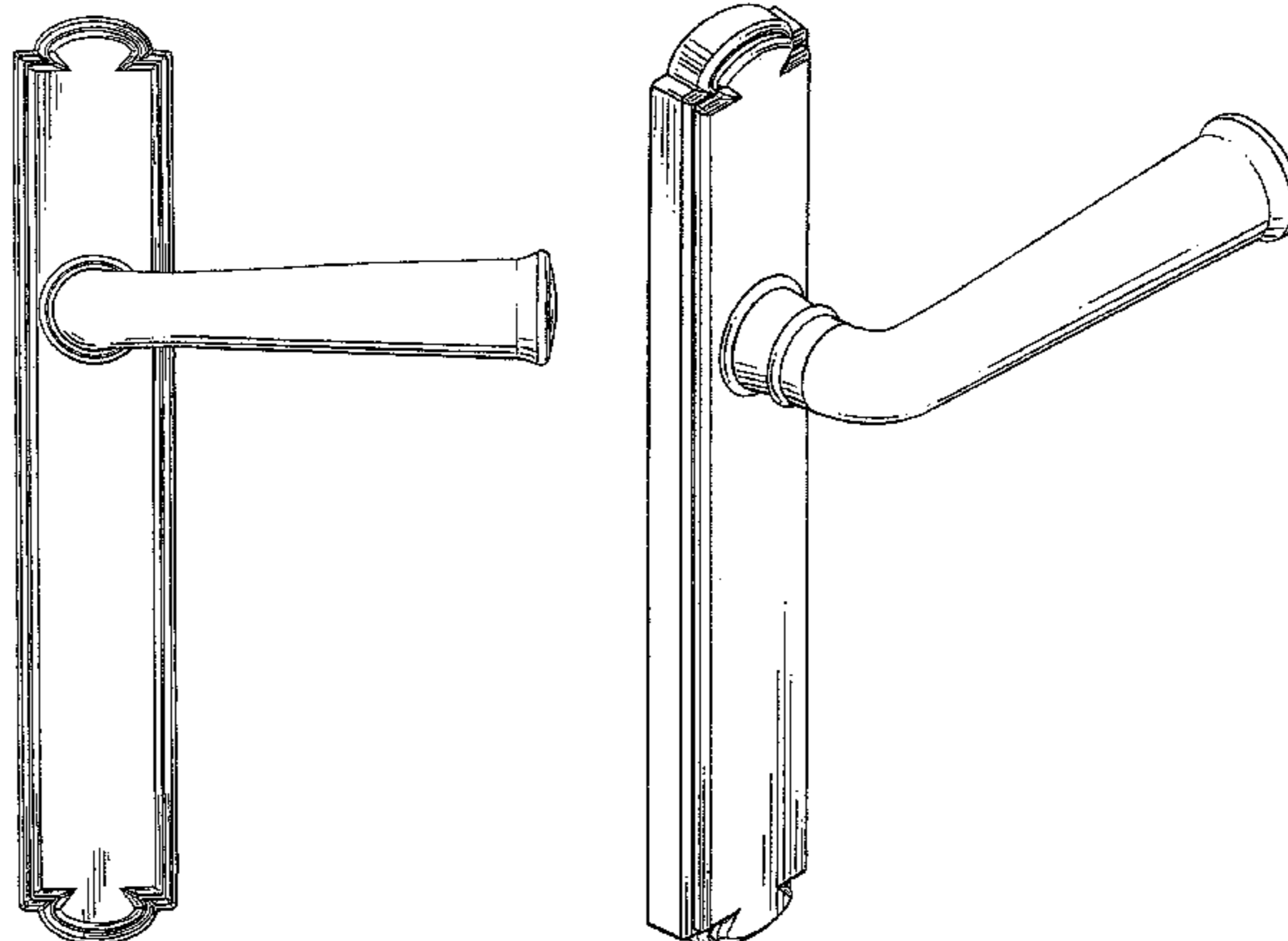
(57) **CLAIM**

The ornamental design for a door handle and escutcheon assembly, as shown and described.

**DESCRIPTION**

FIG. 1 is a front elevation view of a door handle and escutcheon assembly, in accordance with our new design; FIG. 2 is a rear elevation view of the door handle and escutcheon assembly shown in FIG. 1; FIG. 3 is a top plan view of the door handle and escutcheon assembly shown in FIG. 1; FIG. 4 is a bottom plan view of the door handle and escutcheon assembly shown in FIG. 1; FIG. 5 is a left side elevation view of the door handle and escutcheon assembly shown in FIG. 1; FIG. 6 is a right side elevation view of the door handle and escutcheon assembly shown in FIG. 1; and, FIG. 7 is a front, top, and left side perspective view of the door handle and escutcheon assembly shown in FIG. 1. The broken lines shown represent unclaimed subject matter and form no part of the claimed design.

**1 Claim, 5 Drawing Sheets**



# US D739,699 S

Page 2

---

(56)

## References Cited

### U.S. PATENT DOCUMENTS

	D589,324 S *	3/2009	Schneider .....	D8/308
	2005/0099023 A1 *	5/2005	Qing .....	292/336.3
	2005/0125954 A1 *	6/2005	Shyu .....	16/412
6,997,024 B2 *	2/2006	Etlicher .....	70/210	* cited by examiner

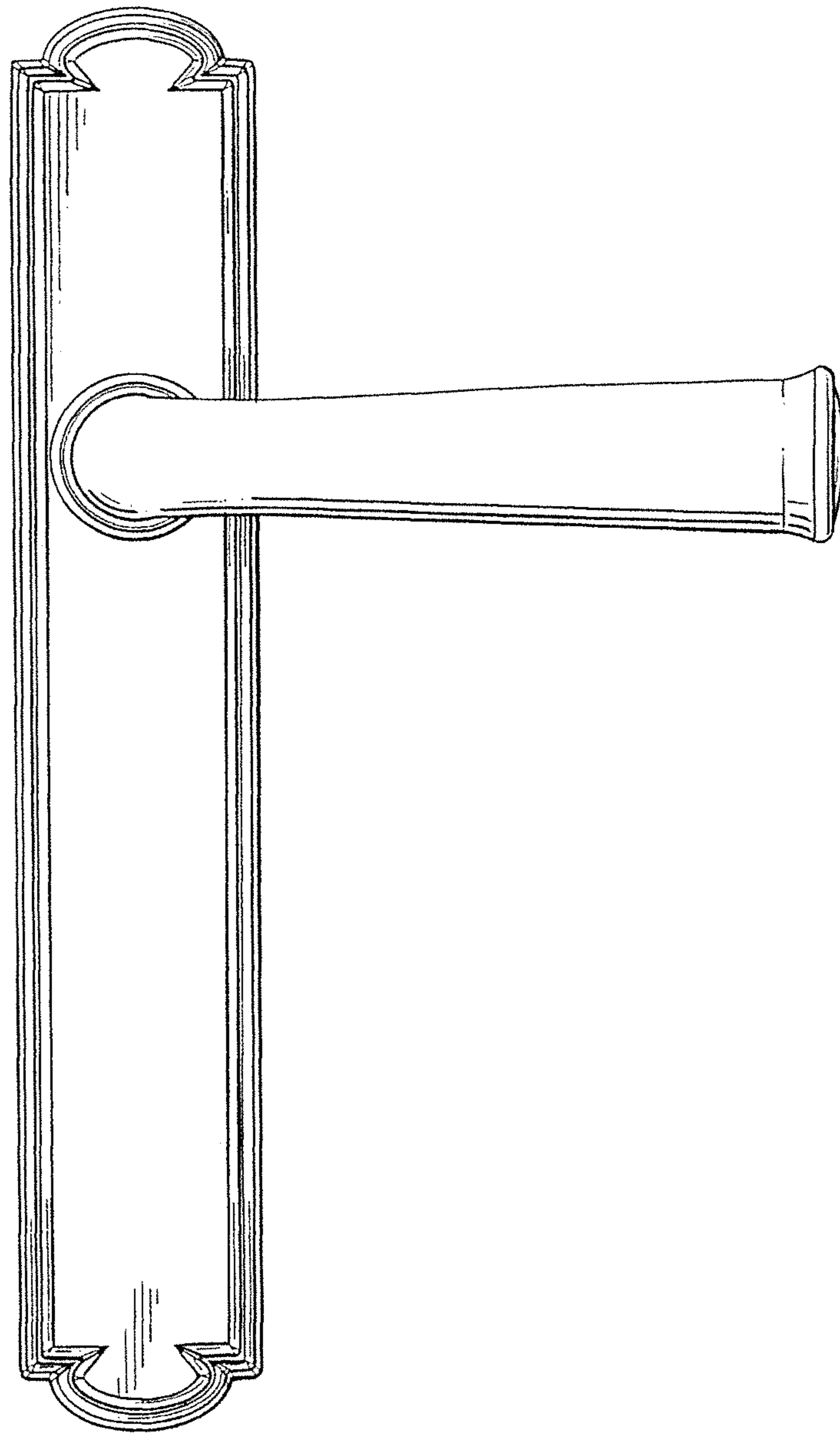


FIG. 1

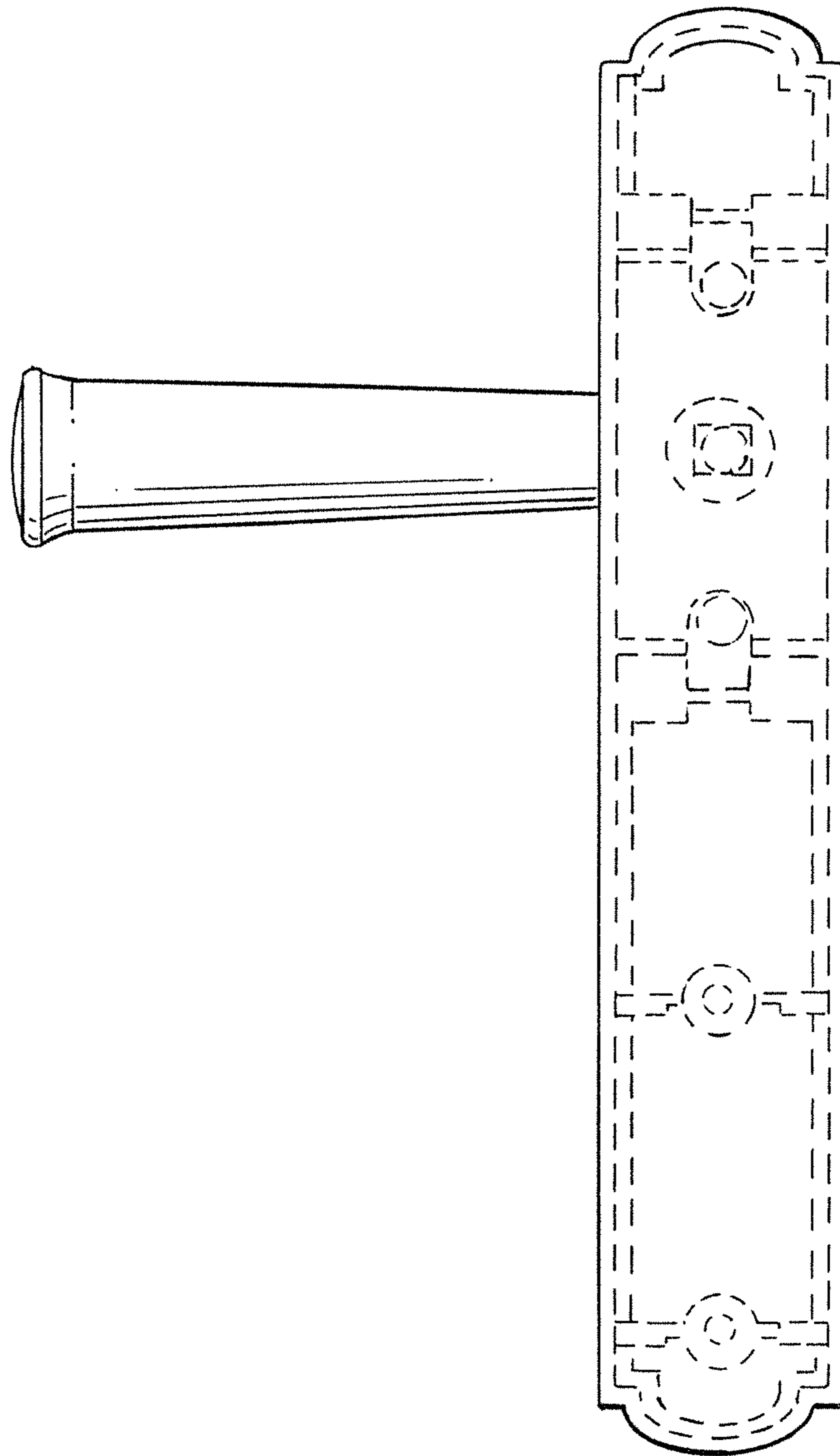


FIG. 2

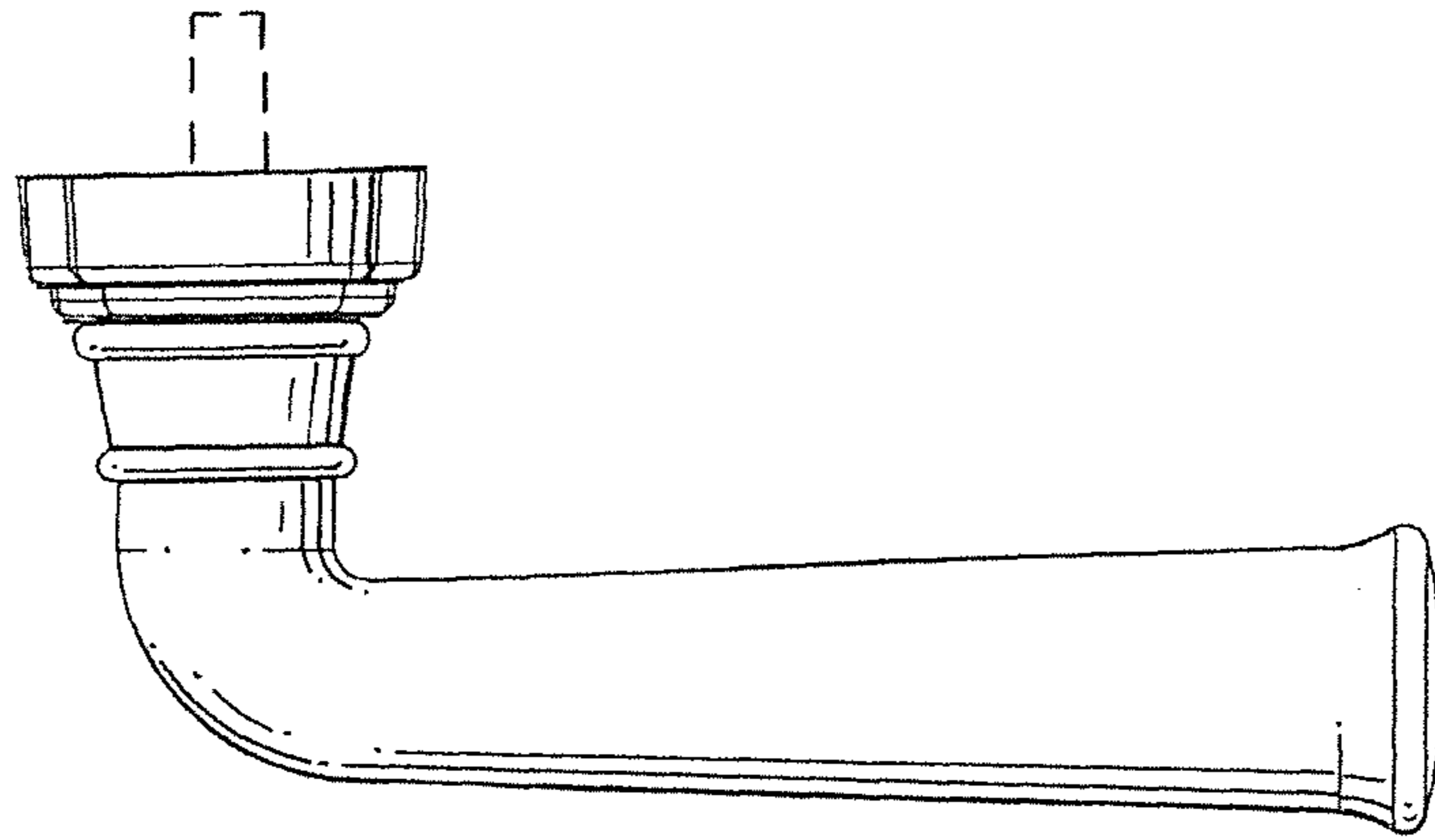


FIG. 3

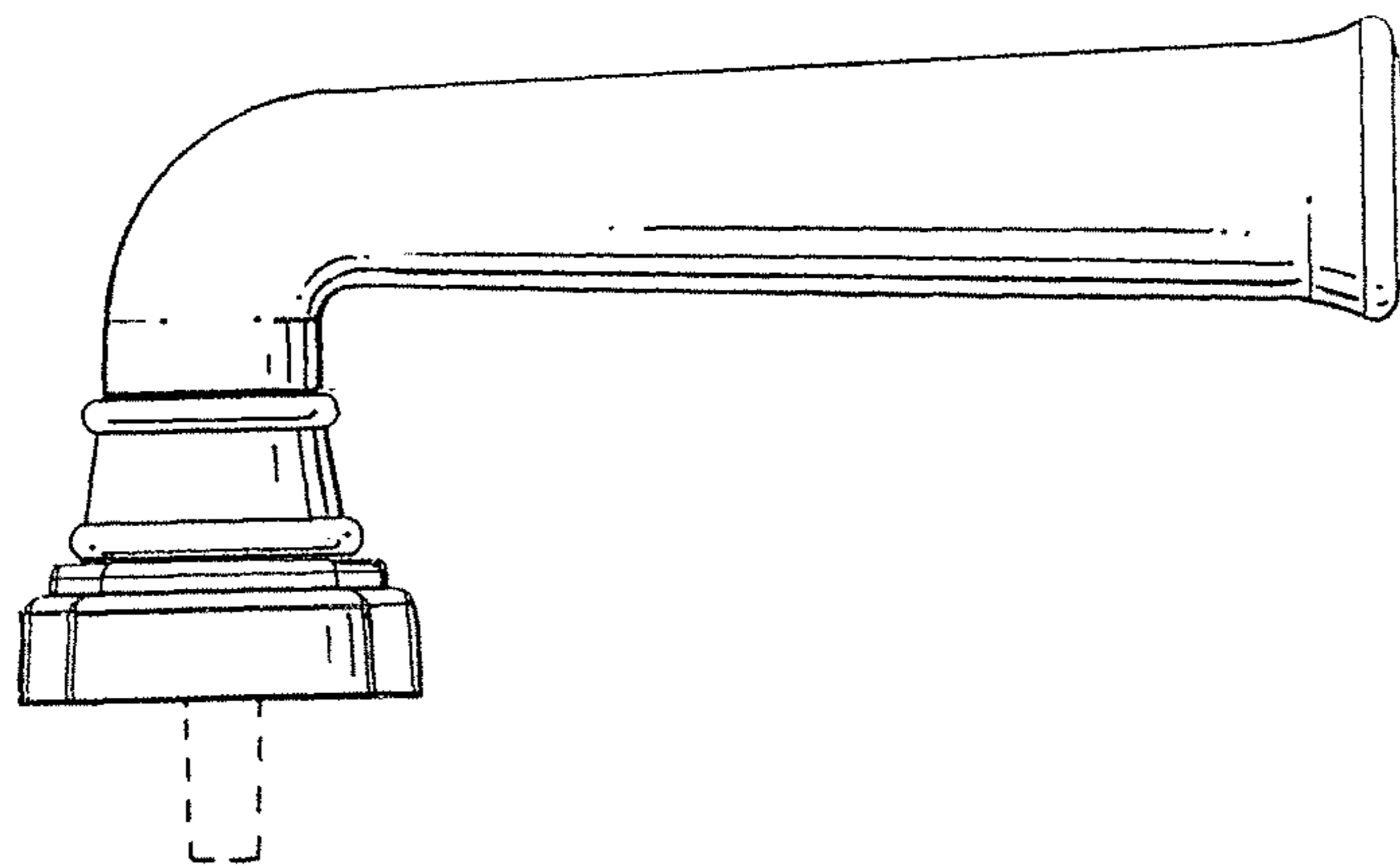


FIG. 4

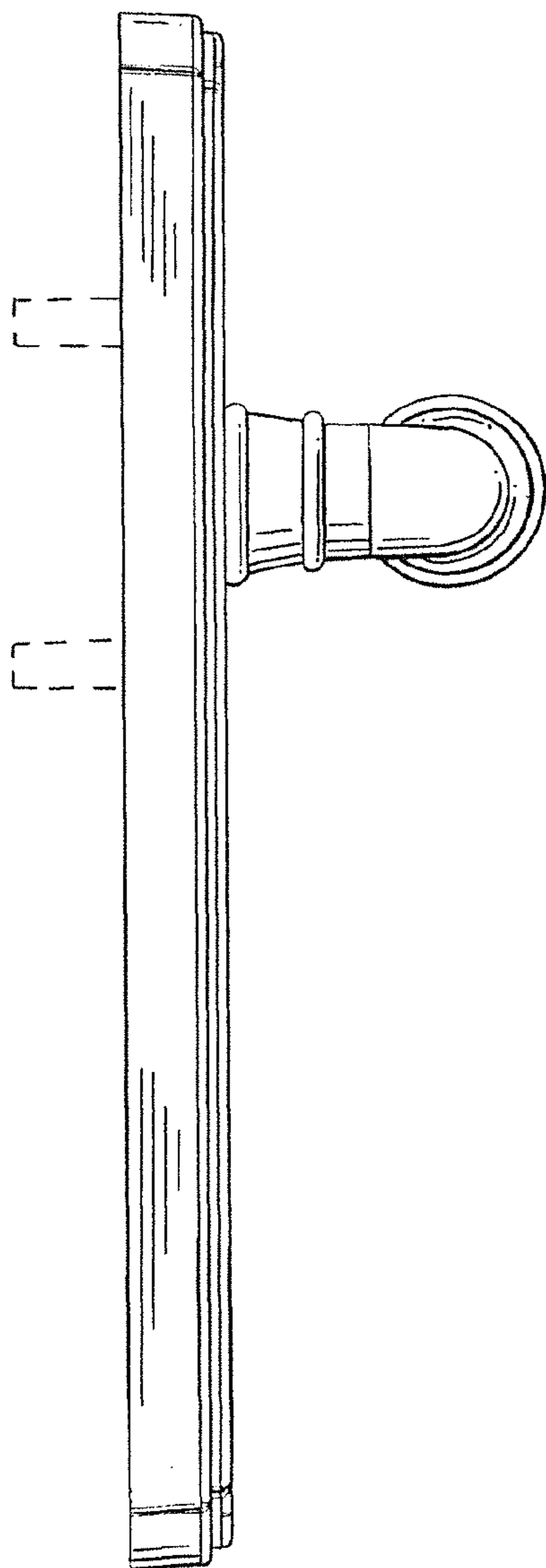


FIG. 5

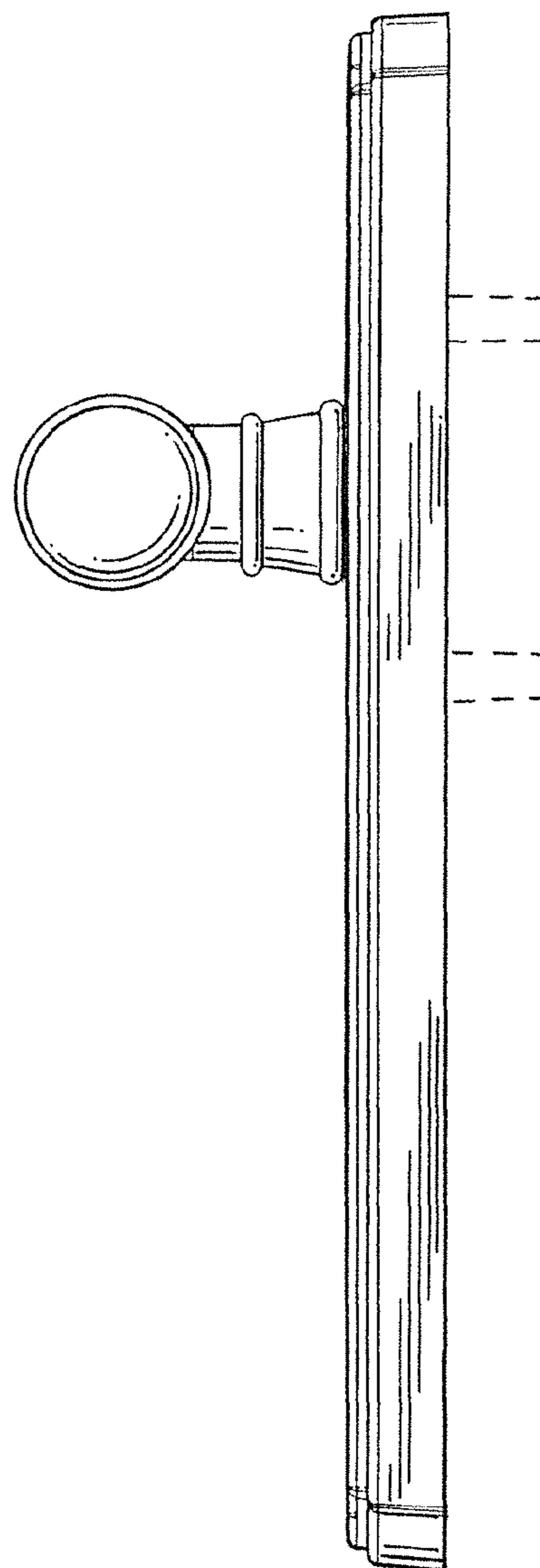


FIG. 6

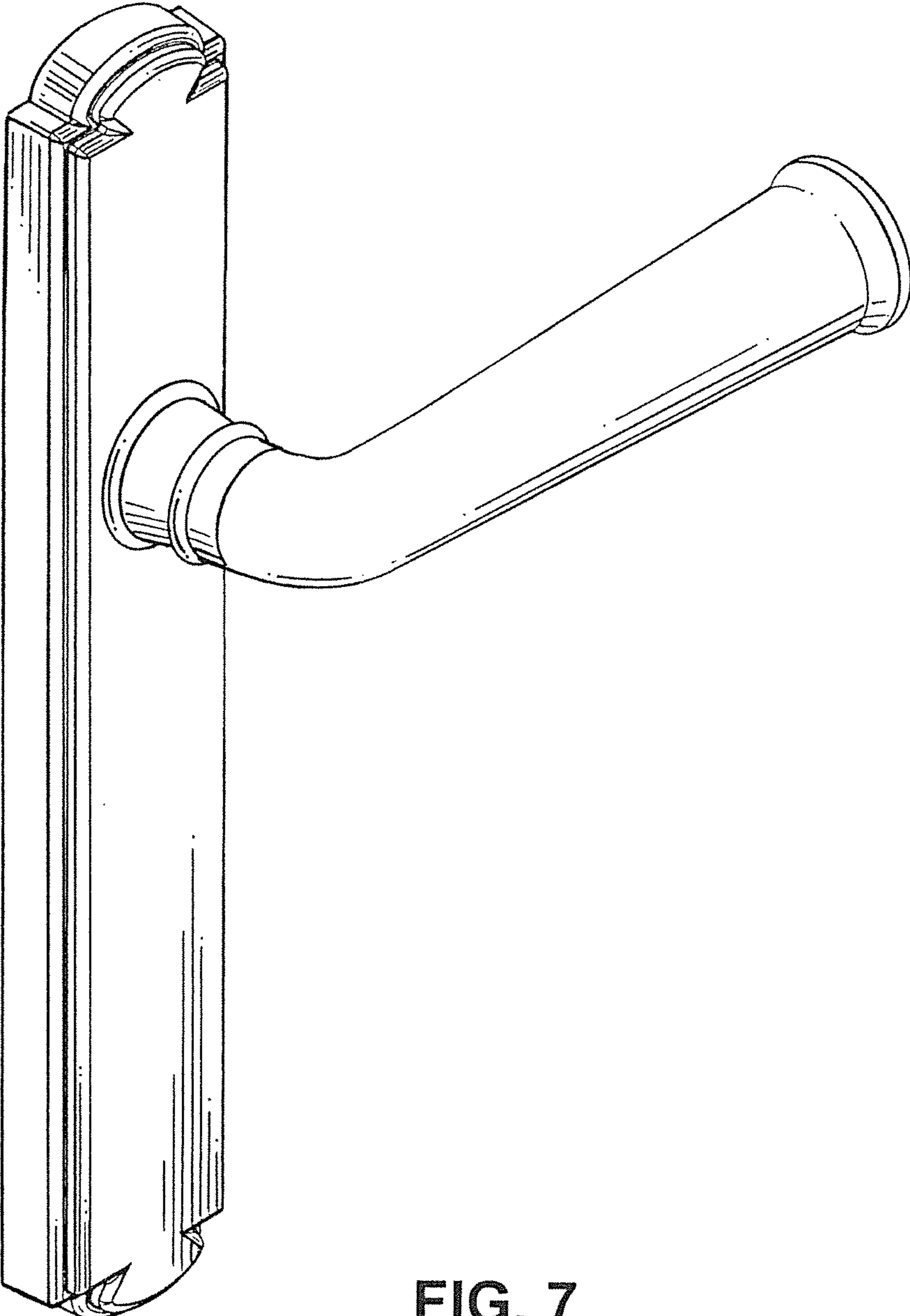


FIG. 7