



US00D739694S

(12) **United States Design Patent**
Epting

(10) **Patent No.:** **US D739,694 S**

(45) **Date of Patent:** **** Sep. 29, 2015**

(54) **FIRE LOG TRANSPORTATION TOOL**

(71) Applicant: **Patrick E. Epting**, Clemmons, NC (US)

(72) Inventor: **Patrick E. Epting**, Clemmons, NC (US)

(**) Term: **14 Years**

(21) Appl. No.: **29/483,081**

(22) Filed: **Feb. 25, 2014**

(51) **LOC (10) Cl.** **08-03**

(52) **U.S. Cl.**

USPC **D8/14**

(58) **Field of Classification Search**

USPC D8/1, 14, 88, 89

CPC F24B 4/199; F24B 15/10; B27B 29/00;

B25B 9/04

See application file for complete search history.

(56) **References Cited**

U.S. PATENT DOCUMENTS

| | | | | | |
|-----------|-----|---------|---------------------|-------|--------|
| 2,326,676 | A * | 8/1943 | Peters | | 294/11 |
| D254,704 | S * | 4/1980 | Hammond | | D8/51 |
| 4,307,909 | A * | 12/1981 | Yaworski | | 294/11 |
| D267,074 | S * | 11/1982 | Feighery | | D8/13 |
| D267,999 | S * | 2/1983 | Rhoades | | D8/14 |
| 4,449,743 | A * | 5/1984 | Pankratz | | 294/11 |
| 4,955,647 | A * | 9/1990 | Alfredson | | 294/14 |
| D342,876 | S * | 1/1994 | Brontkowski et al. | | D8/51 |
| D558,547 | S * | 1/2008 | Gildemeister et al. | | D8/51 |
| D566,495 | S * | 4/2008 | Hackmann | | D8/14 |

| | | | | | |
|-----------|------|--------|------------|-------|--------|
| D568,123 | S * | 5/2008 | Bantle | | D8/14 |
| 8,162,361 | B2 * | 4/2012 | Biddington | | 294/14 |
| 8,226,134 | B2 * | 7/2012 | O'Donnell | | 294/11 |

OTHER PUBLICATIONS

Six (6) page printout from "eBay" website showing various campfire tools; Copyright 1995-2014 eBay Inc.

Two (2) page printout from "Tom's Fire Tenders" website showing a "fire tender tool"; Copyright 2011 Tom's Fire Tenders.

Two (2) page printout from "Master Campfire Tools" website showing various campfire tools; undated.

* cited by examiner

Primary Examiner — Phillip S Hyder

(74) *Attorney, Agent, or Firm* — Blake P. Hurt; Tuggle Duggins P.A.

(57) **CLAIM**

The ornamental design for a fire log transportation tool, as shown and described.

DESCRIPTION

FIG. 1 is a perspective view of a fire log transportation tool showing my new design;

FIG. 2 is a front elevational view thereof;

FIG. 3 is a rear elevational view thereof;

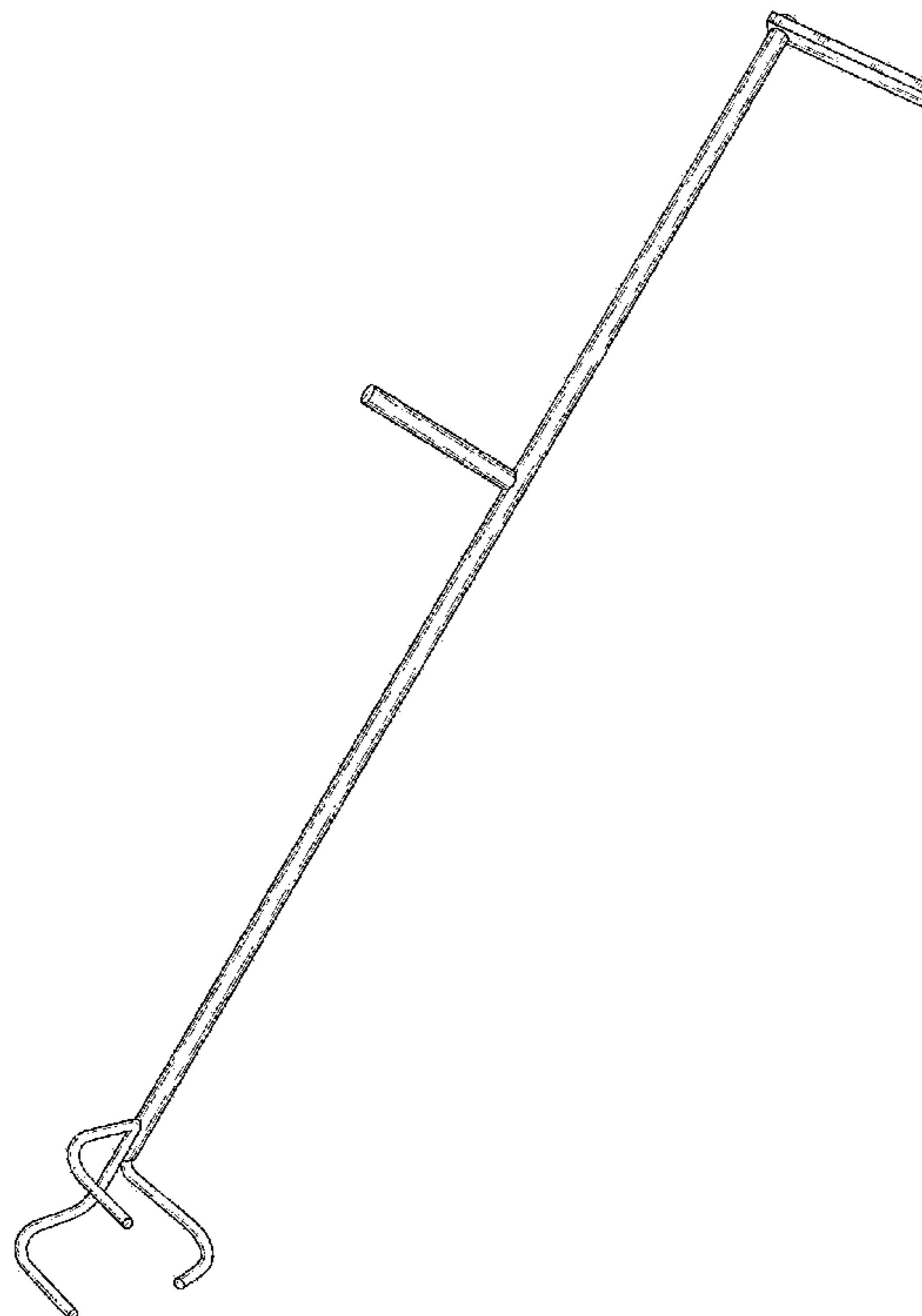
FIG. 4 is a right side elevational view thereof;

FIG. 5 is a left side elevational view thereof;

FIG. 6 is a top plan view thereof; and,

FIG. 7 is a bottom plan view thereof.

1 Claim, 4 Drawing Sheets



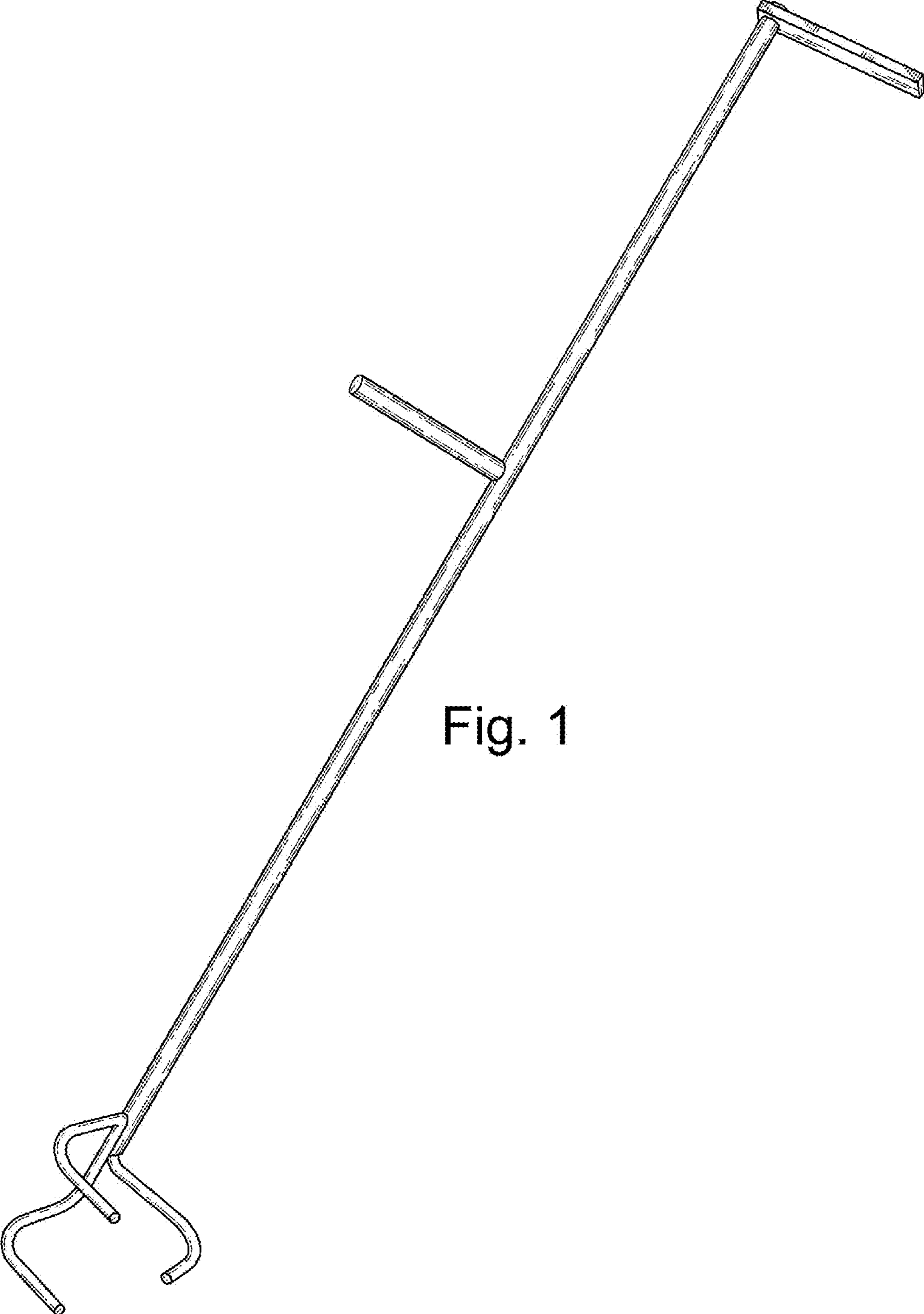


Fig. 1

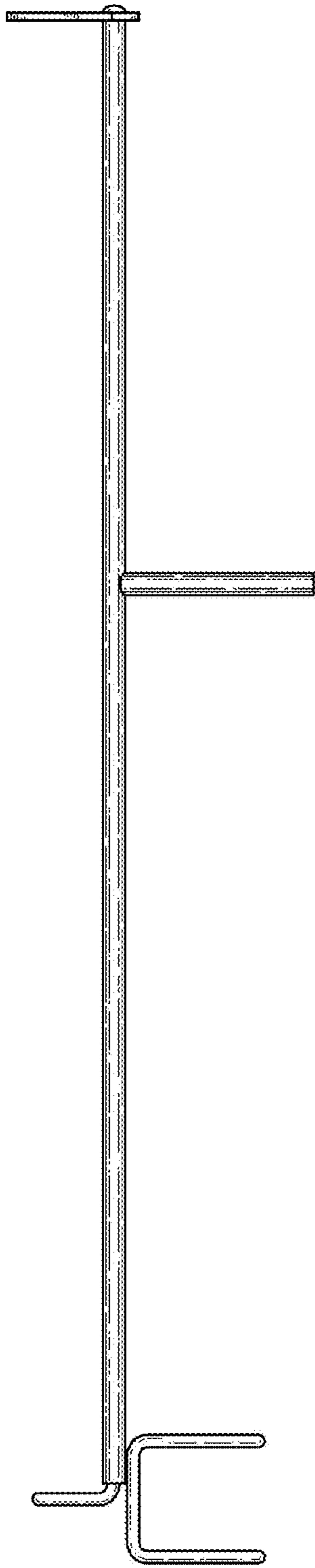


Fig. 2

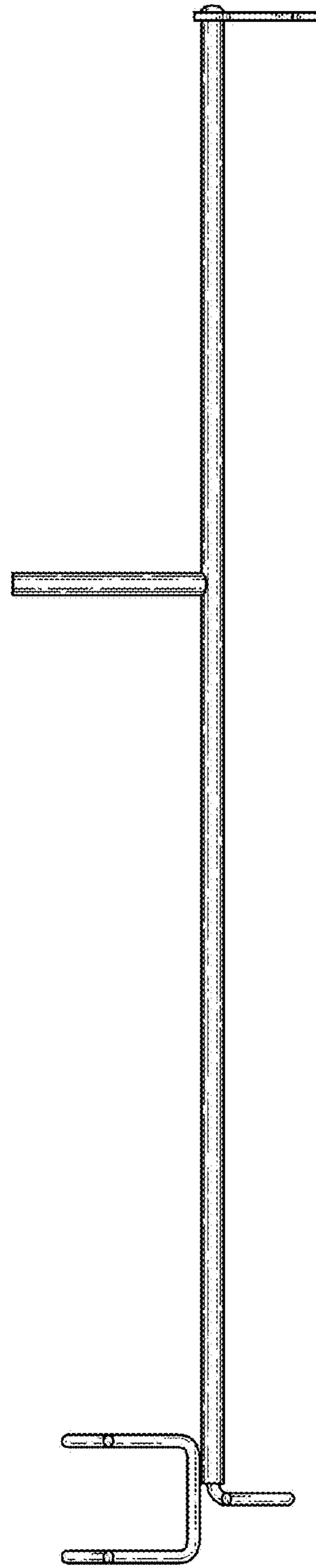


Fig. 3

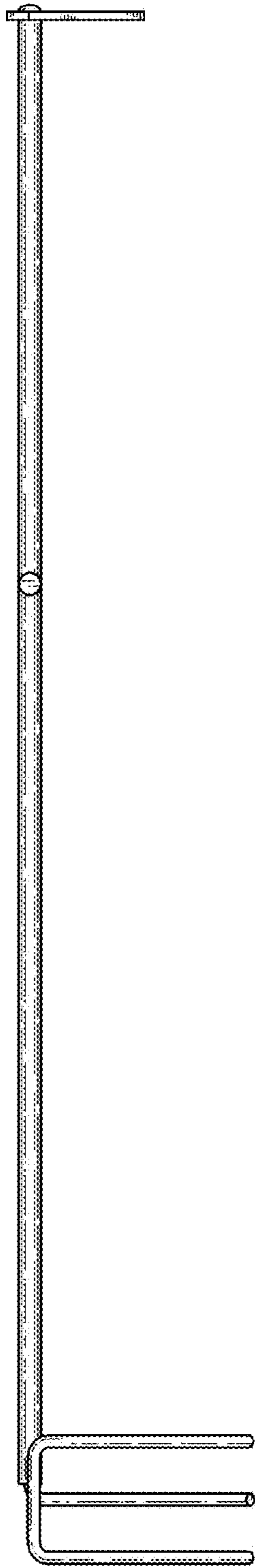


Fig. 4

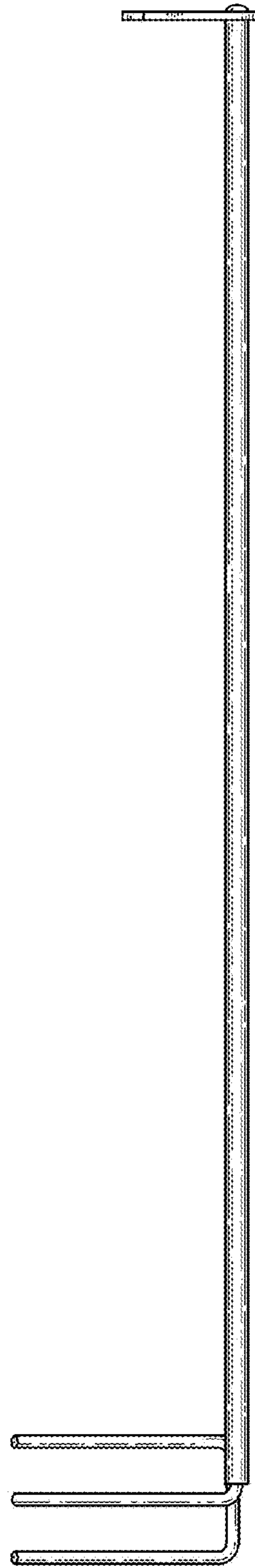


Fig. 5

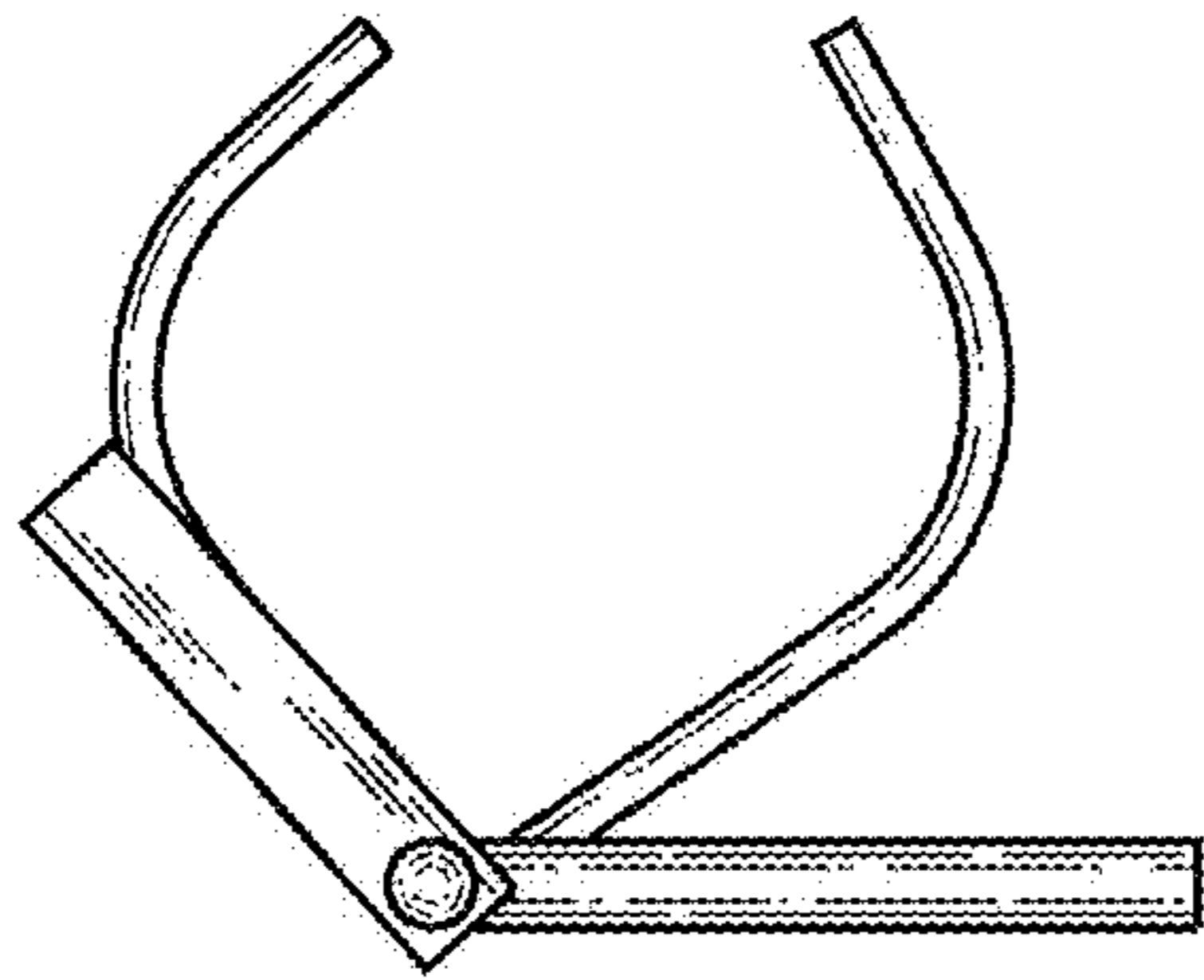


Fig. 6

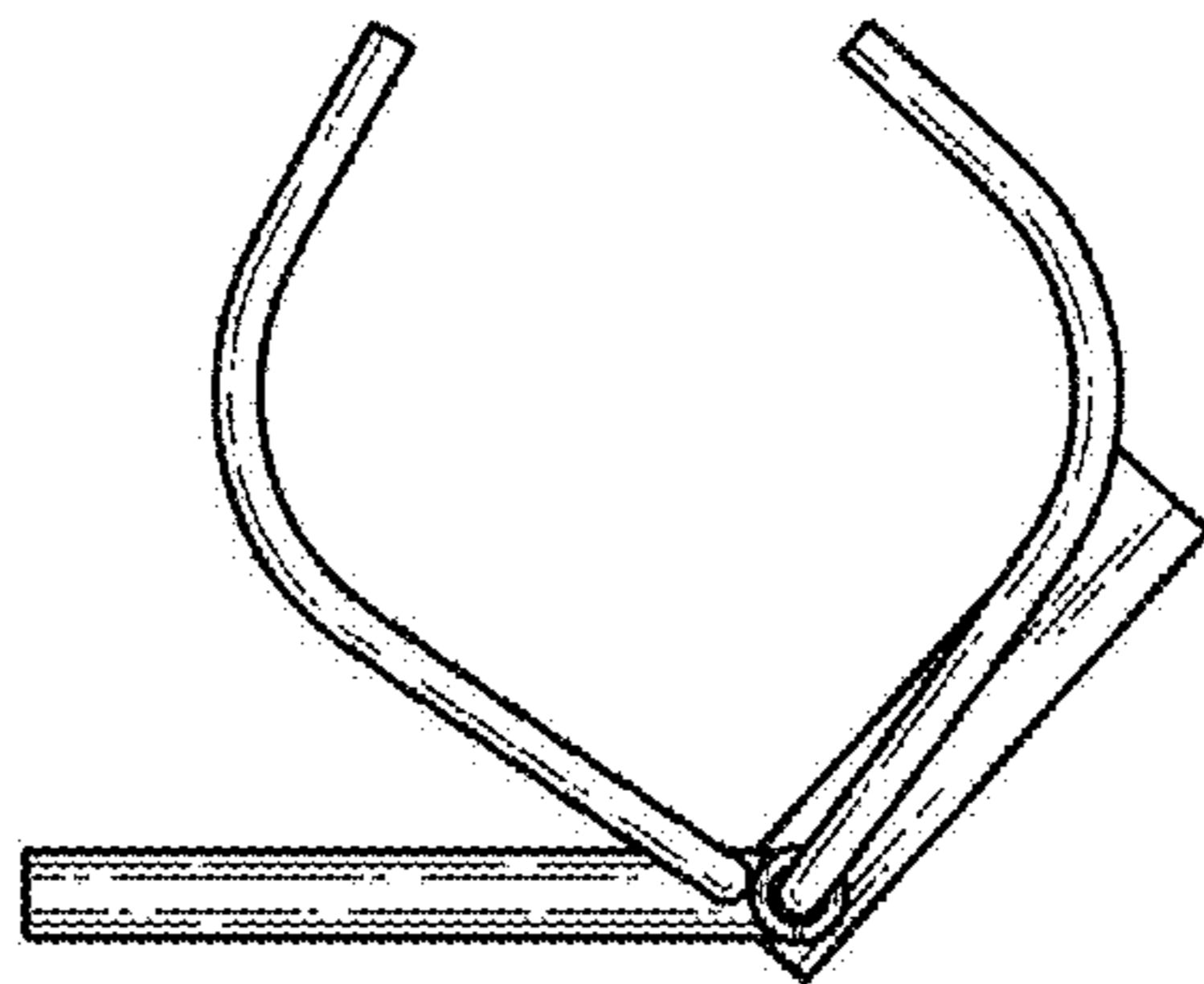


Fig. 7