



US00D739693S

(12) **United States Design Patent**  
**Cooper**

(10) **Patent No.:** **US D739,693 S**

(45) **Date of Patent:** **\*\* Sep. 29, 2015**

(54) **GARDEN HOE**

(71) Applicant: **Jack M. Cooper**, Blackwell, OK (US)

(72) Inventor: **Jack M. Cooper**, Blackwell, OK (US)

(\*\*) Term: **14 Years**

(21) Appl. No.: **29/497,693**

(22) Filed: **Jul. 28, 2014**

(51) **LOC (10) Cl.** ..... **08-01**

(52) **U.S. Cl.**  
USPC ..... **D8/11**

(58) **Field of Classification Search**  
USPC ..... D8/10, 11, 20; D21/532  
CPC ..... A01D 34/13; A01B 1/06; A01B 1/10;  
A01B 1/12; A01B 1/14; A01B 1/20; A01B  
1/16; A01B 1/22; A01B 1/27  
See application file for complete search history.

(56) **References Cited**

**U.S. PATENT DOCUMENTS**

18,979	A *	12/1857	Lothrop	172/378
25,862	A *	10/1859	Adams	172/378
197,956	A *	12/1877	Walker	172/375
1,239,316	A *	9/1917	Svendsen	172/376
1,490,809	A *	4/1924	Eichenberger-Girarde	172/378
1,749,731	A *	3/1930	Mehlig	172/375
2,712,782	A *	7/1955	Blankenship	172/374
2,752,839	A *	7/1956	Robertson	172/375
3,000,451	A	9/1961	Adams	
D232,015	S *	7/1974	Pontius	D8/11
5,004,053	A	4/1991	Martell	
5,046,254	A	9/1991	Russell	
5,452,769	A	9/1995	Markert	
5,560,434	A	10/1996	Janik	
D379,141	S	5/1997	Cleghorn	
D425,383	S *	5/2000	Rigdon	D8/11

6,311,783	B1	11/2001	Harpell	
6,467,246	B1 *	10/2002	McCredie	56/296
8,291,996	B2	10/2012	Hoang	
D729,599	S *	5/2015	Talbot	D8/20
2008/0000210	A1 *	1/2008	Jolly	56/257

**FOREIGN PATENT DOCUMENTS**

GB 2181086 A \* 4/1987 ..... A01B 1/08

**OTHER PUBLICATIONS**

Recycled Sickle Section Garden Hoe, Made in Bozeman Montana, by Fisher Blacksmithing, earliest review date Nov. 19, 2012, Image post date Unknown, Site visited on Aug. 5, 2015 (online), <<https://www.etsy.com/listing/100292231/recycled-sickle-section-garden-hoe-made>>.\*

\* cited by examiner

*Primary Examiner* — Sheryl Lane

*Assistant Examiner* — Ieisha Price

(74) *Attorney, Agent, or Firm* — Molly D. McKay

(57) **CLAIM**

The ornamental design for a garden hoe, as shown and described.

**DESCRIPTION**

FIG. 1 is a perspective view from the rear of my garden hoe design;

FIG. 2 is a left side view thereof;

FIG. 3 is a top plan view thereof;

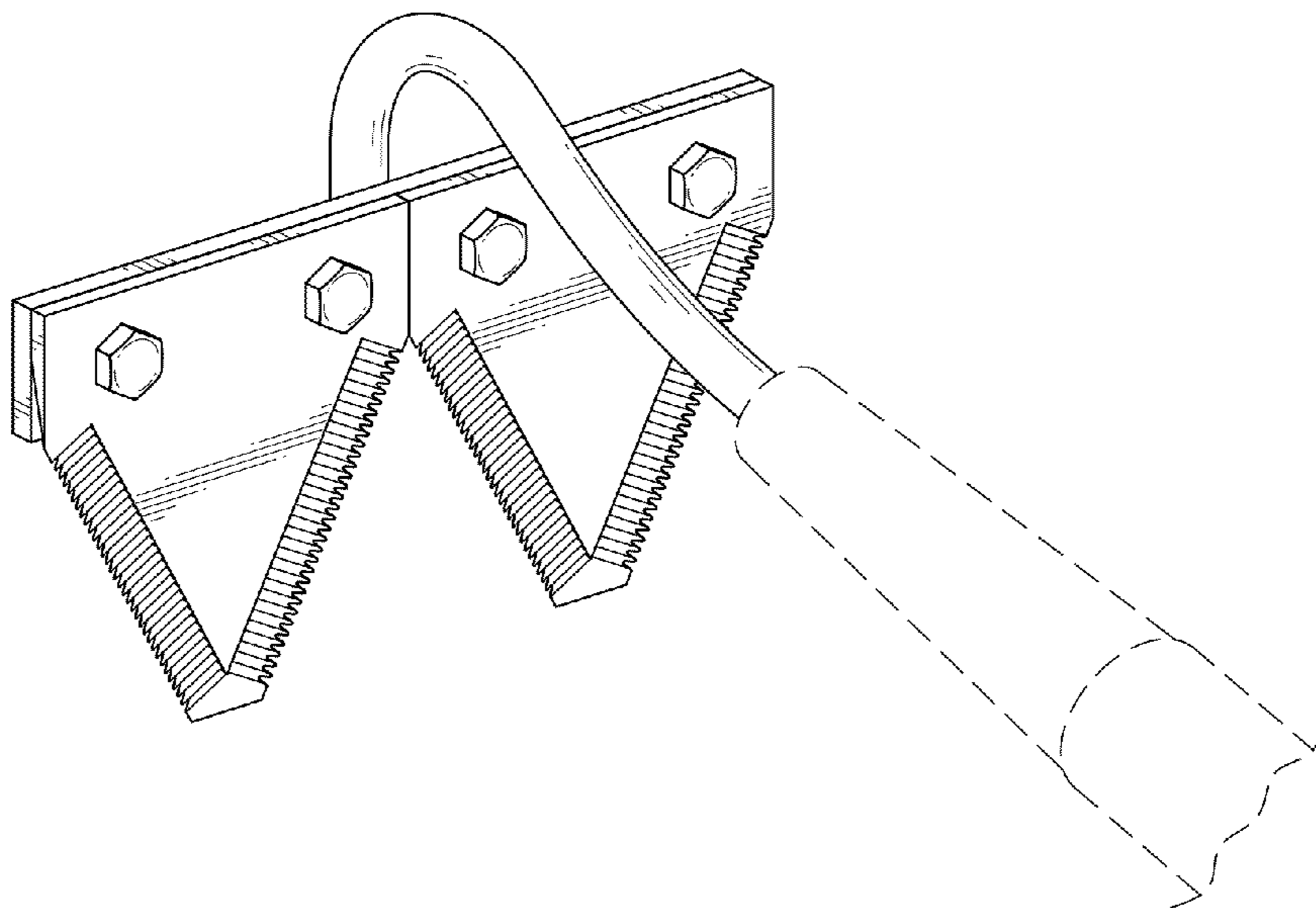
FIG. 4 is a bottom plan view thereof;

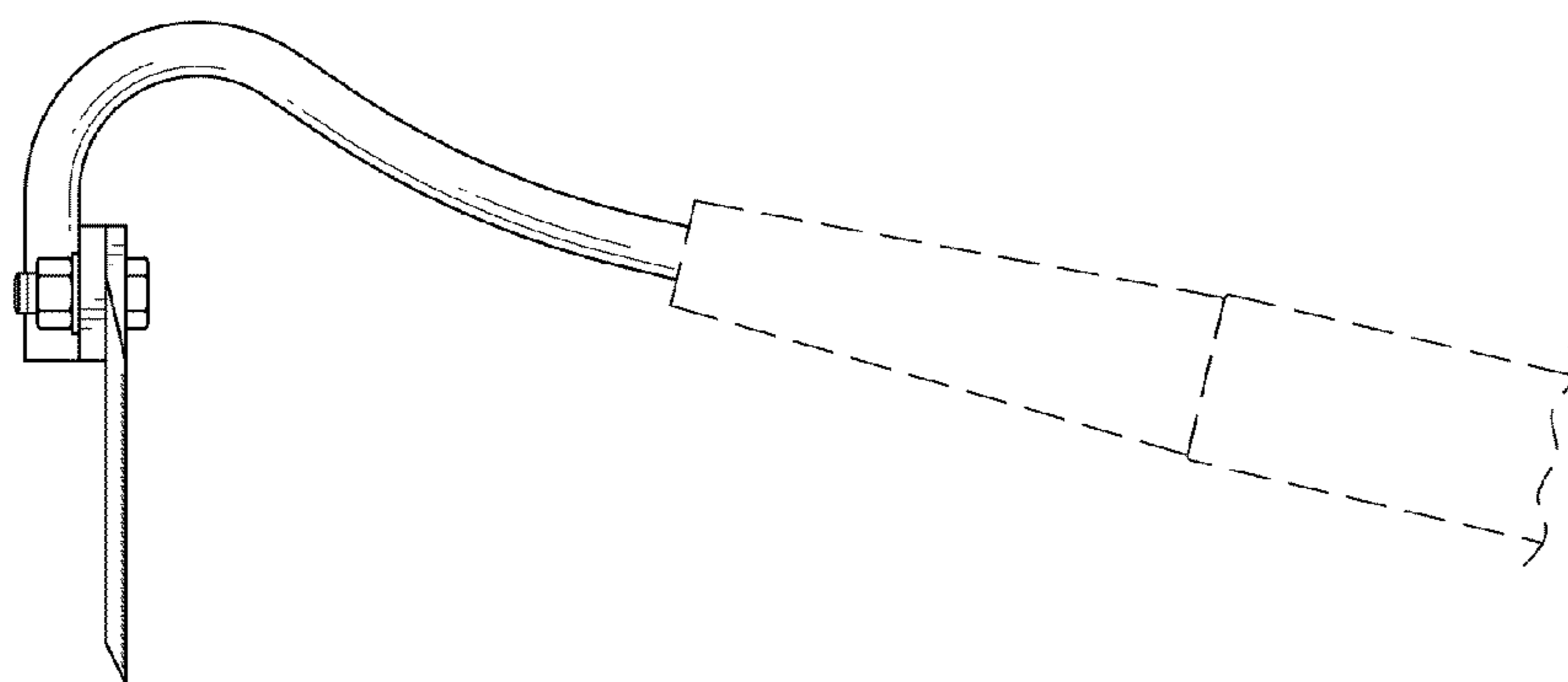
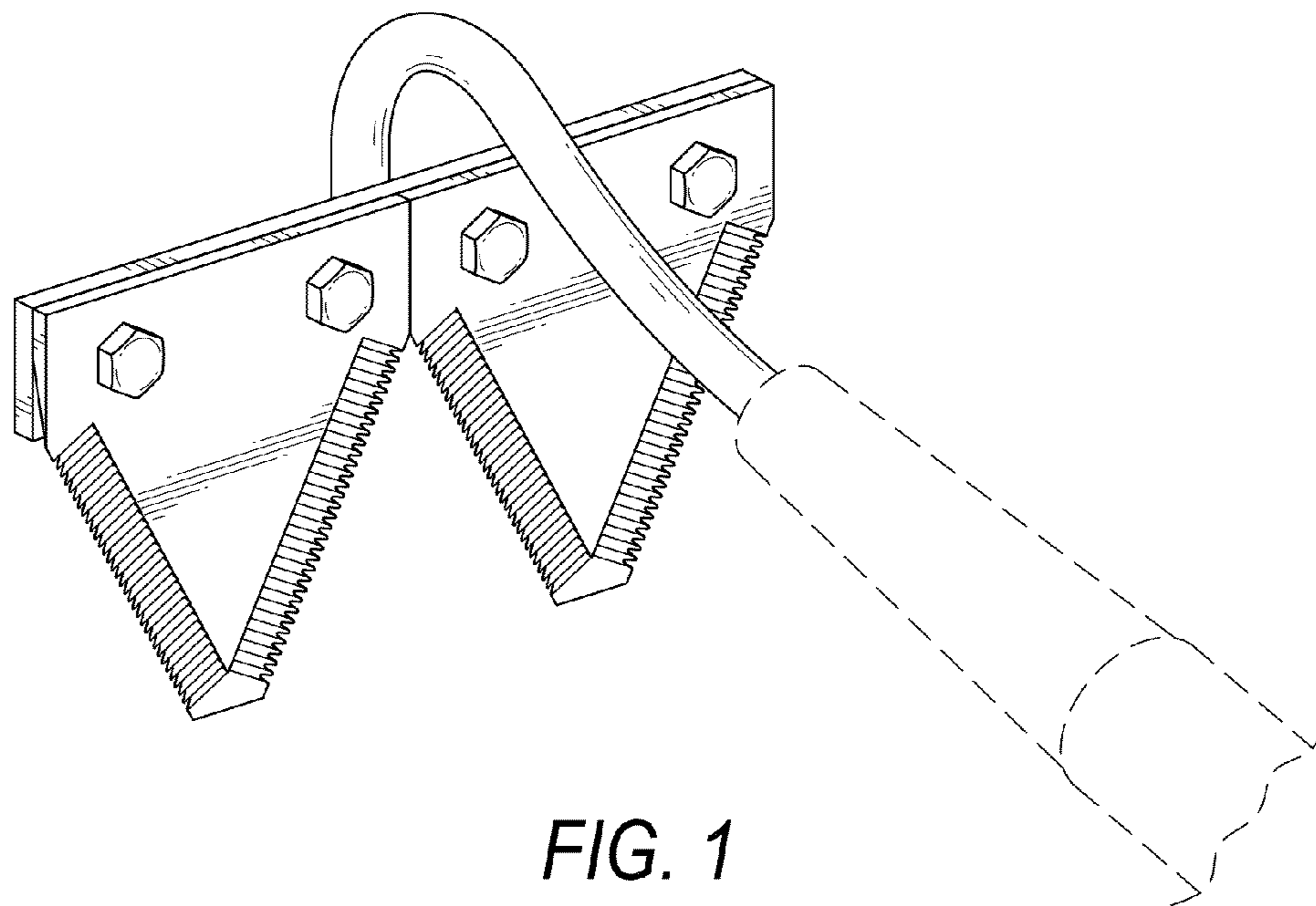
FIG. 5 is a front view thereof; and,

FIG. 6 is a rear view.

The broken lines in the drawings illustrate portions of the garden hoe and form no part of the claimed design.

**1 Claim, 2 Drawing Sheets**





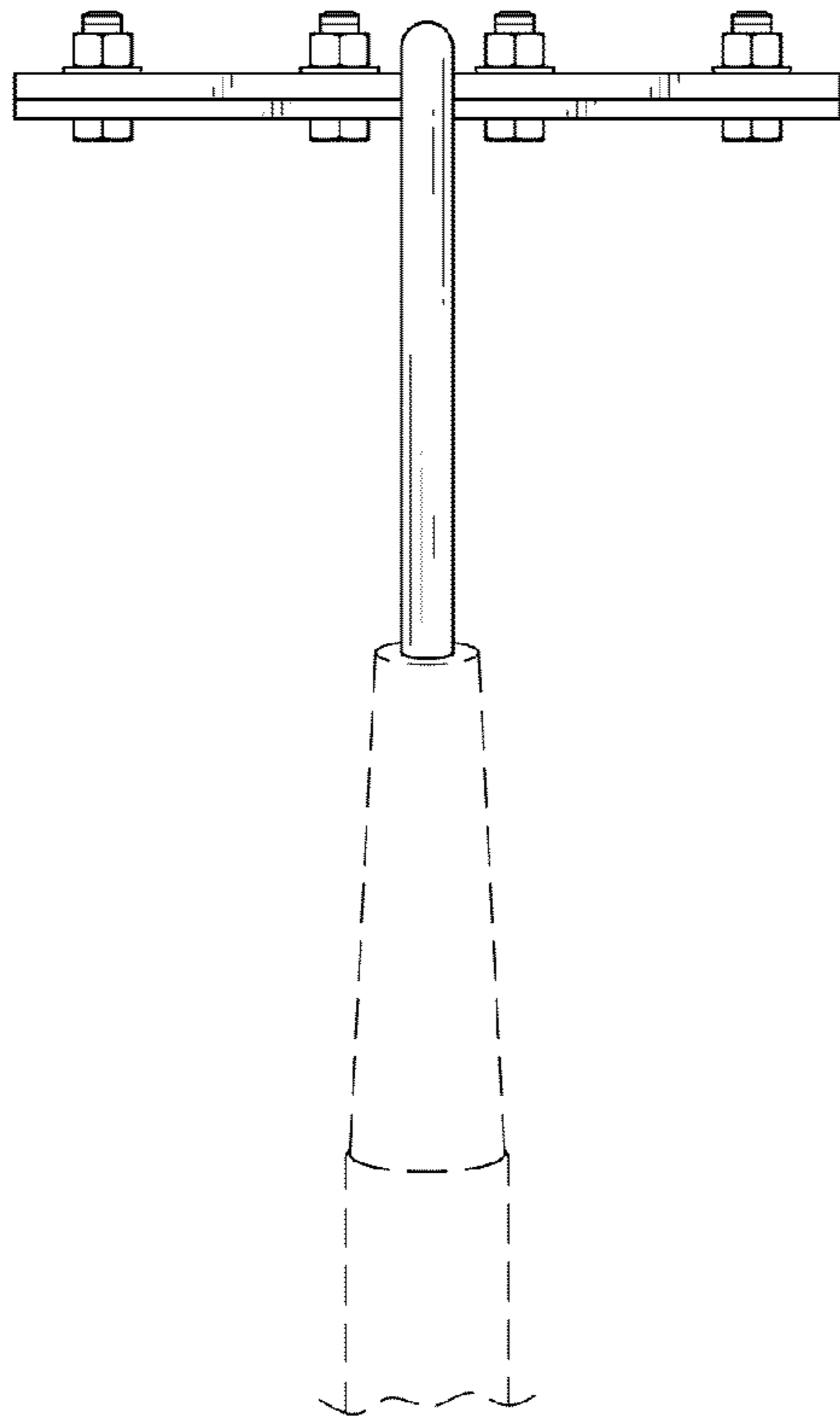


FIG. 3

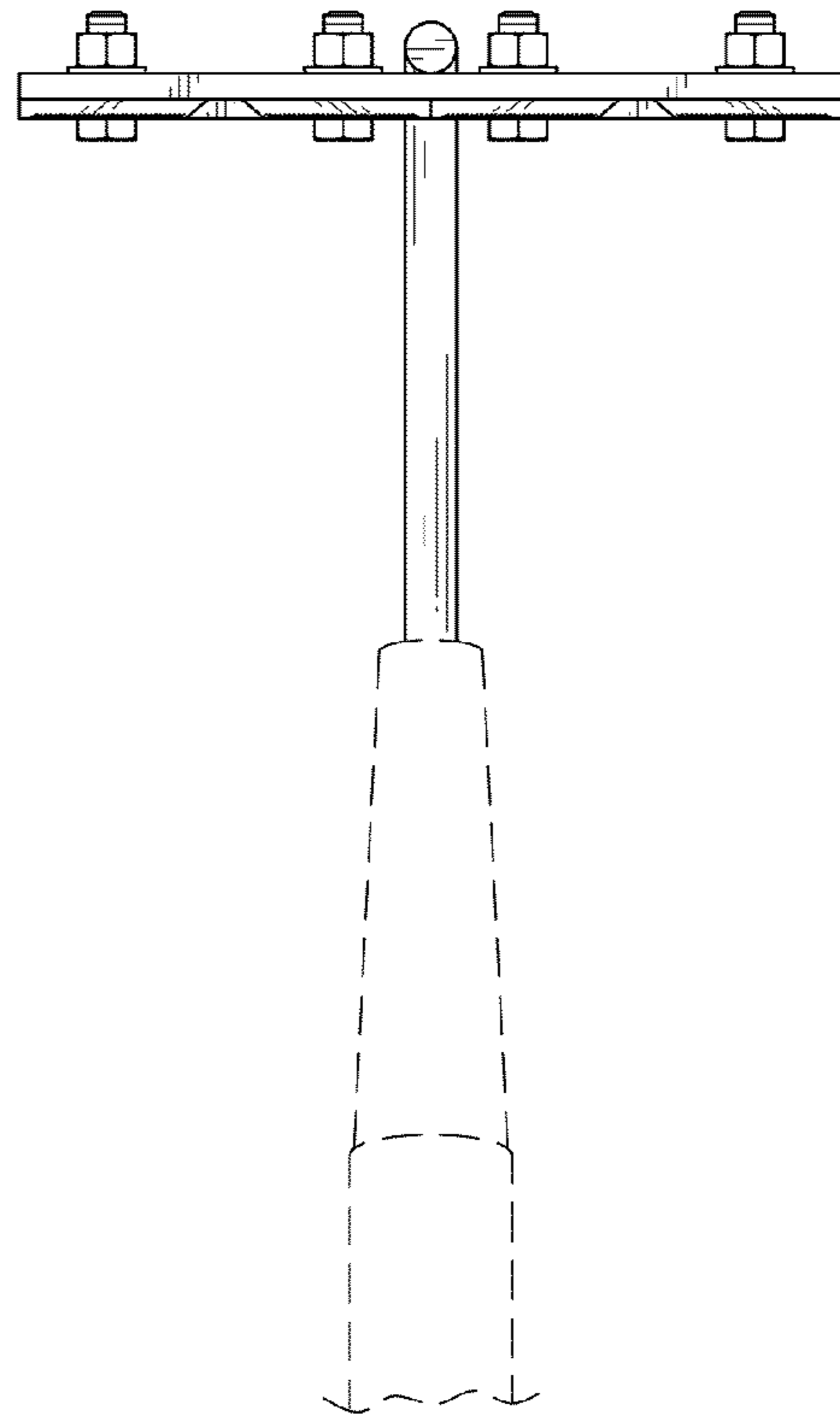


FIG. 4

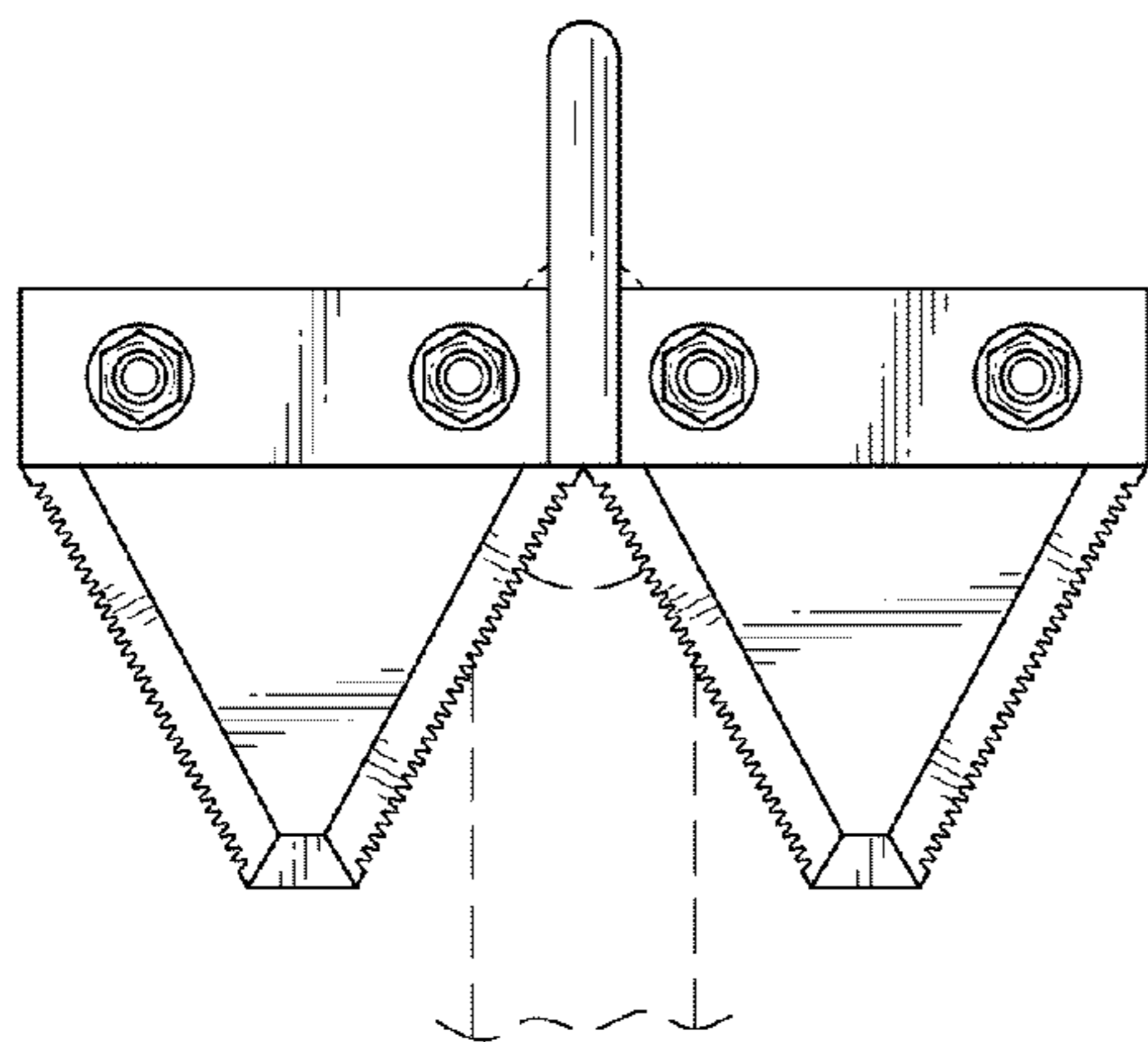


FIG. 5

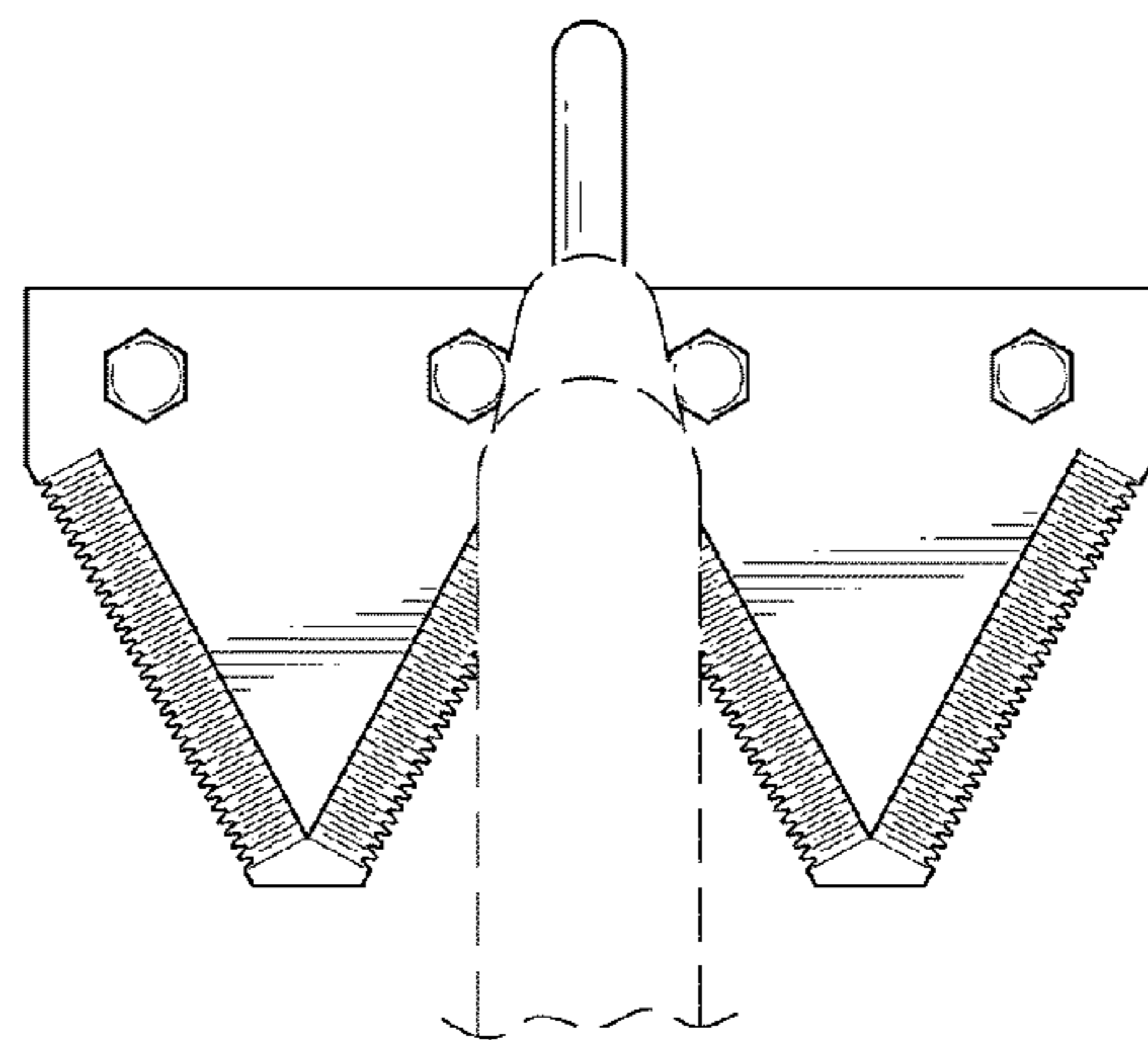


FIG. 6