



US00D739692S

(12) **United States Design Patent**
Sykes

(10) **Patent No.:** **US D739,692 S**

(45) **Date of Patent:** **** Sep. 29, 2015**

(54) **POLY STAKE**

(71) Applicant: **William G. Sykes**, Virginia Beach, VA
(US)

(72) Inventor: **William G. Sykes**, Virginia Beach, VA
(US)

(**) Term: **14 Years**

(21) Appl. No.: **29/493,309**

(22) Filed: **Jun. 7, 2014**

(51) **LOC (10) Cl.** **08-01**

(52) **U.S. Cl.**
USPC **D8/1**

(58) **Field of Classification Search**
USPC D8/1, 13, 71, 499; D21/840
CPC A01G 9/122; A01G 5/04; A01G 9/12;
A01G 17/10; A47G 7/041; E04H 15/62;
G09F 7/18; F16B 15/0046

See application file for complete search history.

(56) **References Cited**

U.S. PATENT DOCUMENTS

3,199,817	A *	8/1965	Fox	248/87
3,316,794	A *	5/1967	Dixon	411/469
D211,810	S *	7/1968	Maxwell	D8/1
D242,690	S *	12/1976	Brown	D8/356
D272,044	S *	1/1984	Fesler	D8/390
D303,911	S *	10/1989	Saari	D8/1
D379,416	S *	5/1997	Adams	D8/1
D412,434	S *	8/1999	Cook	D8/388

D435,782	S *	1/2001	Thomas	D8/356
D436,019	S *	1/2001	Thomas	D8/356
D445,318	S *	7/2001	Wellnitz	D8/1
7,275,341	B1 *	10/2007	Kincaid	40/645
D554,478	S *	11/2007	Robinson	D8/356
D652,698	S *	1/2012	Rothell	D8/1
D696,975	S *	1/2014	Cute	D11/160
D719,798	S *	12/2014	Thompson et al.	D8/1

OTHER PUBLICATIONS

U Staples,Sod Staples,Irrigation Staples,Steel Staples,11 Gauge Staples, image post date Unknown, site visited on Aug. 5, 2015 (online), <http://www.mesh-wire-netting.com/U_Staples.htm>.*

* cited by examiner

Primary Examiner — Sheryl Lane

Assistant Examiner — Ieisha Price

(74) *Attorney, Agent, or Firm* — William G. Sykes

(57) **CLAIM**

The ornamental design for a poly stake, as shown.

DESCRIPTION

FIG. 1 is a front right isometric view of a poly stake showing my new design;

FIG. 2 is a front view thereof;

FIG. 3 is a top view thereof;

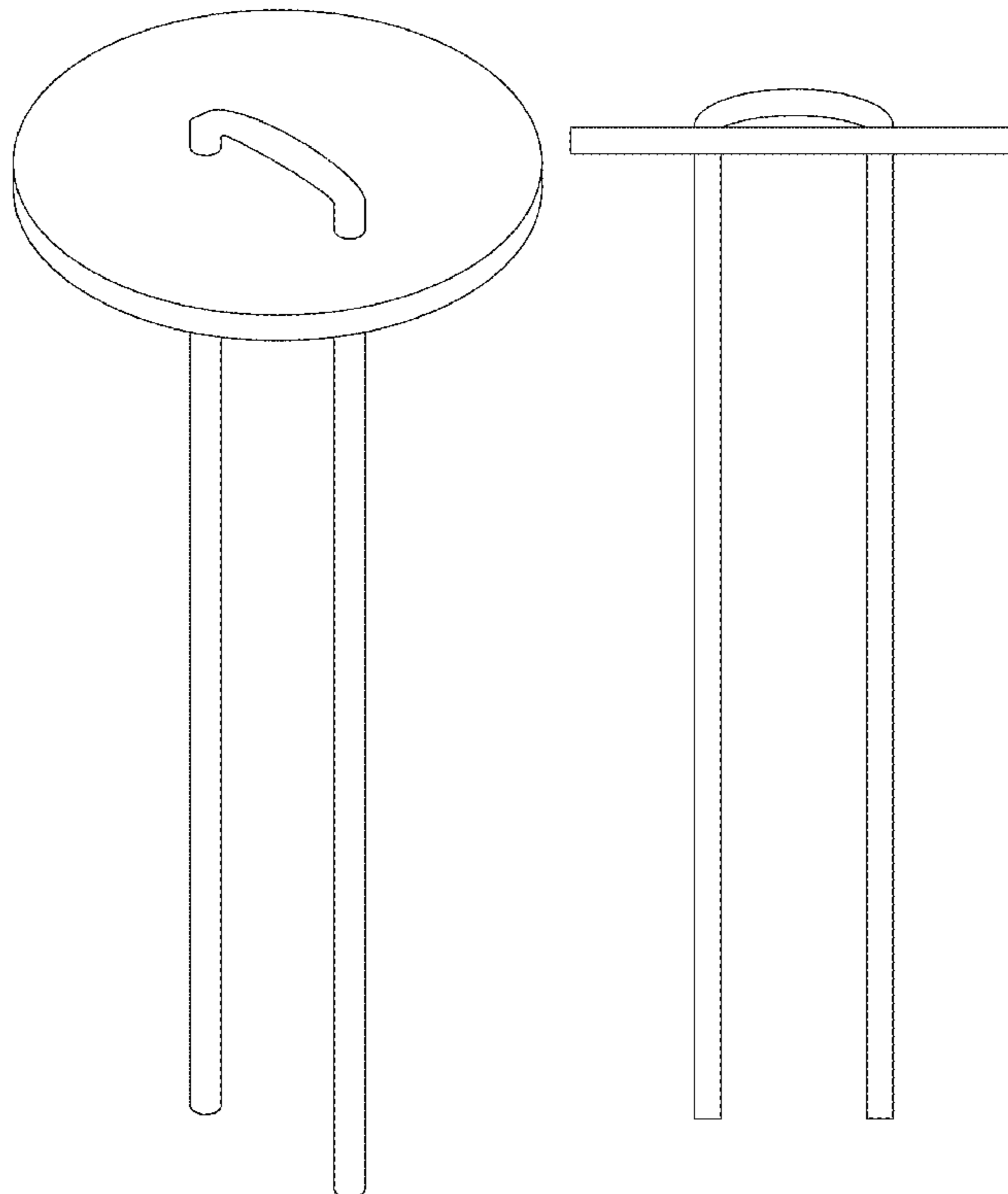
FIG. 4 is a bottom view thereof;

FIG. 5 is a right side view thereof;

FIG. 6 is a left side view thereof; and,

FIG. 7 is a back view.

1 Claim, 7 Drawing Sheets



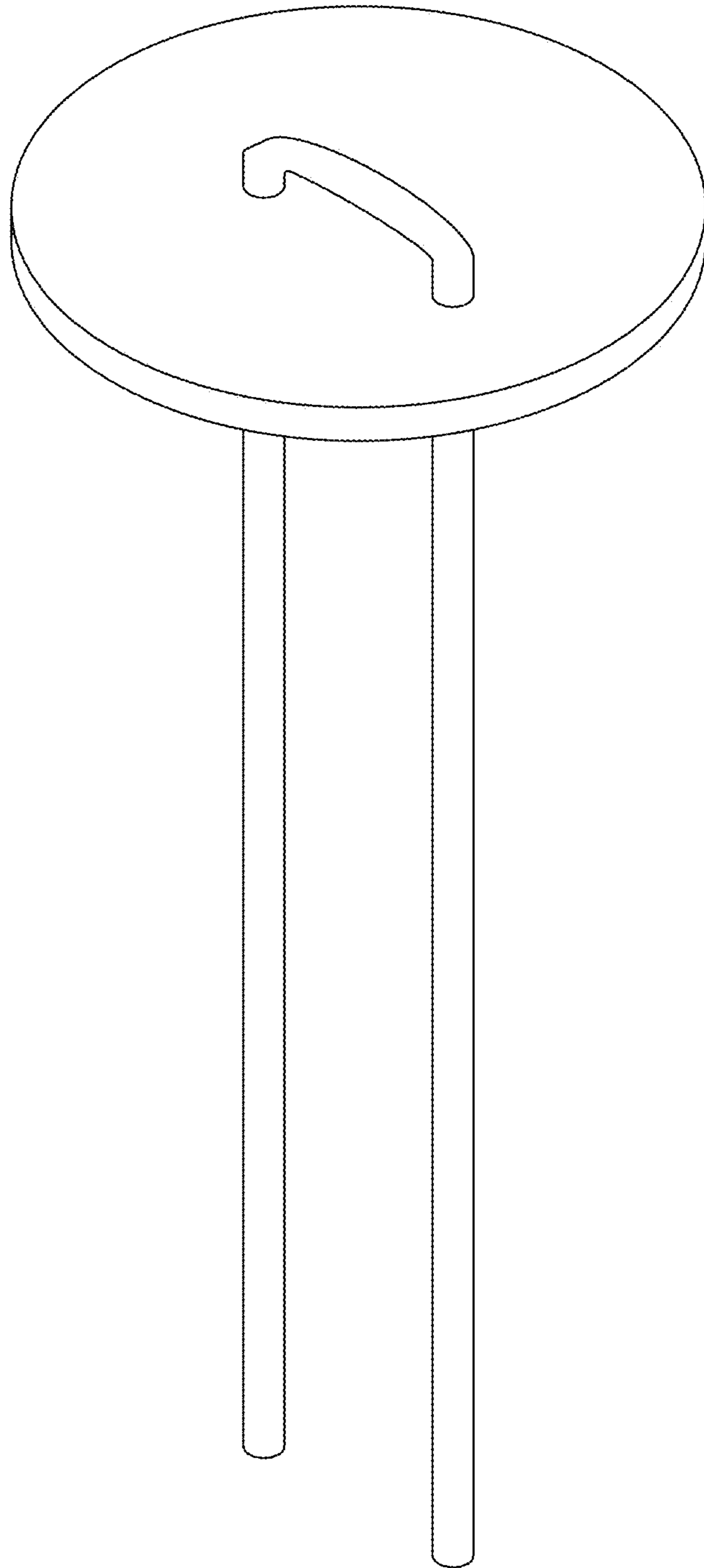


FIG. 1

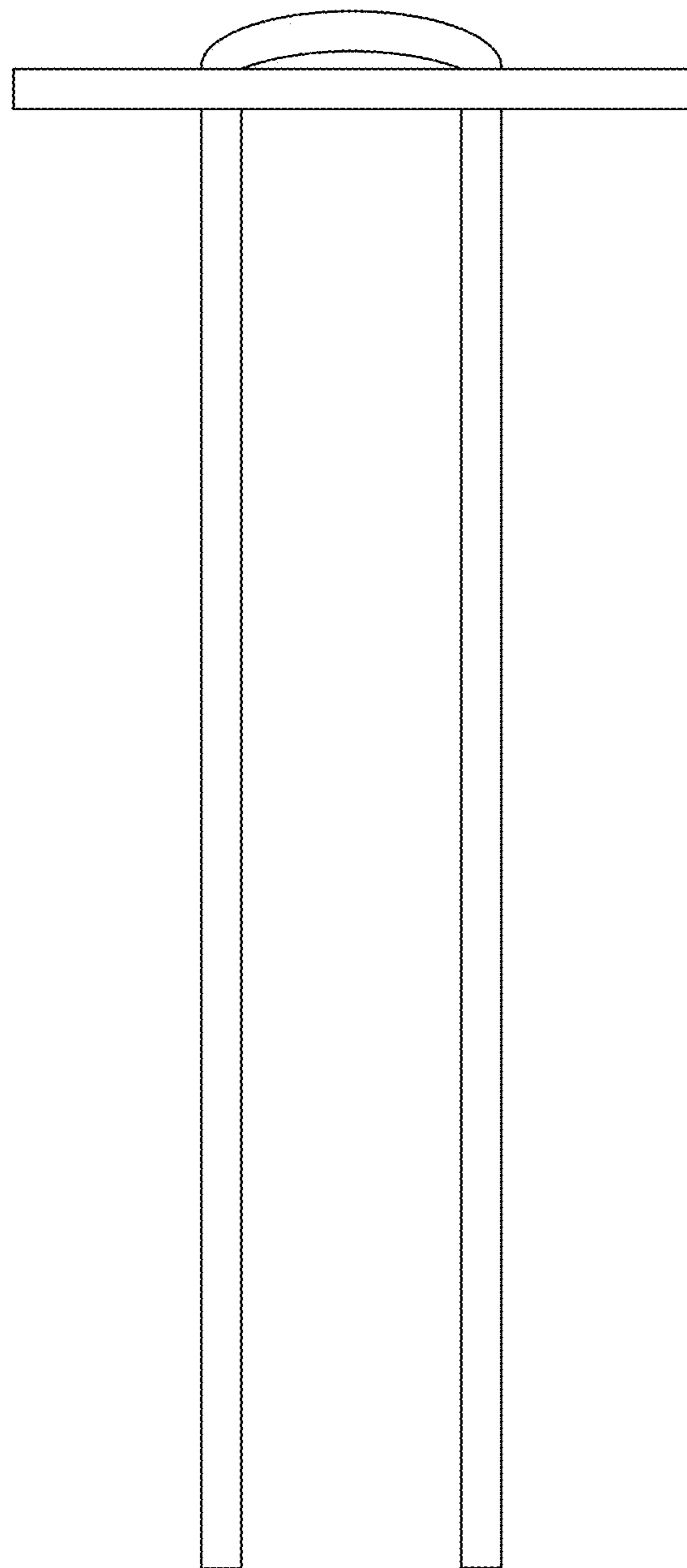


FIG. 2

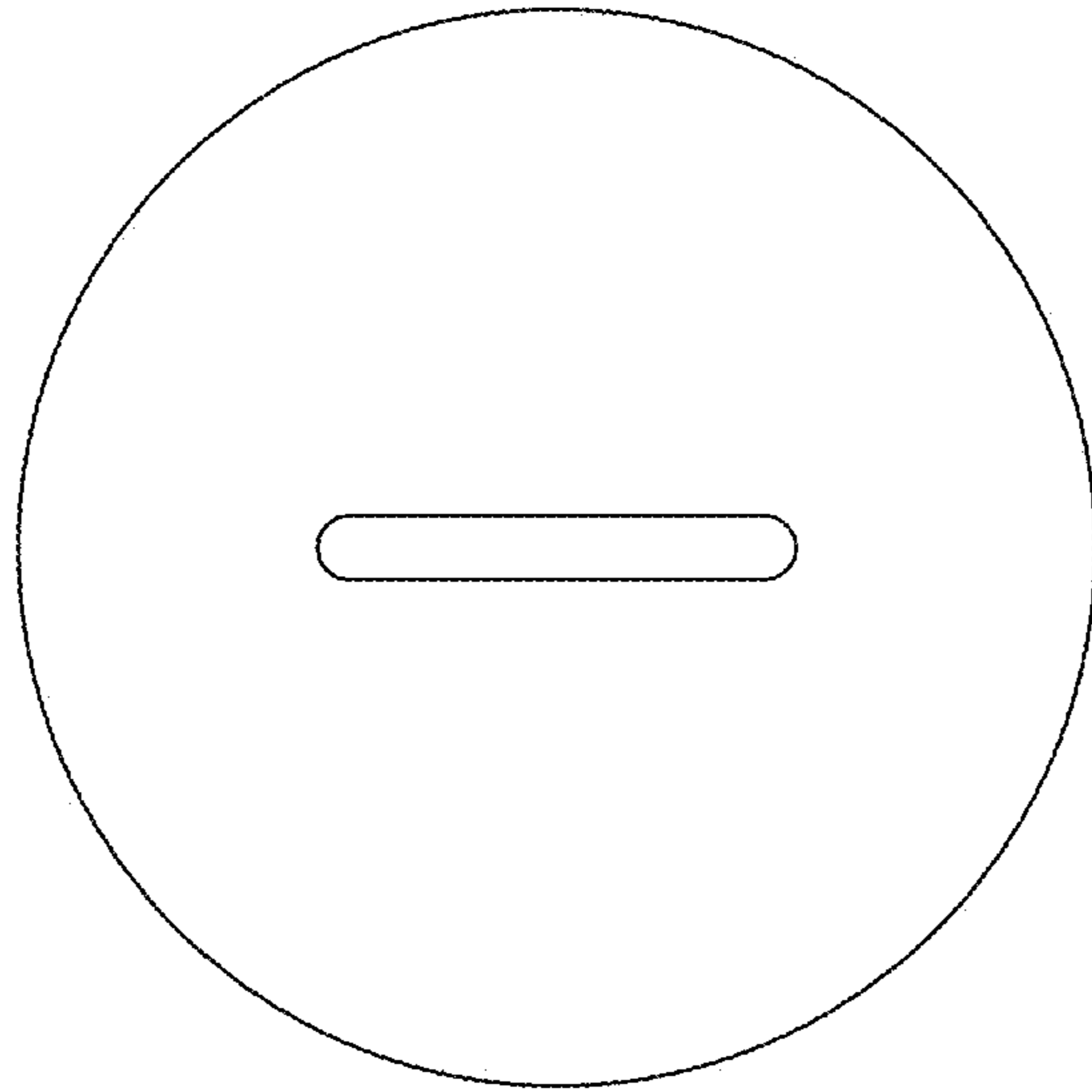


FIG. 3

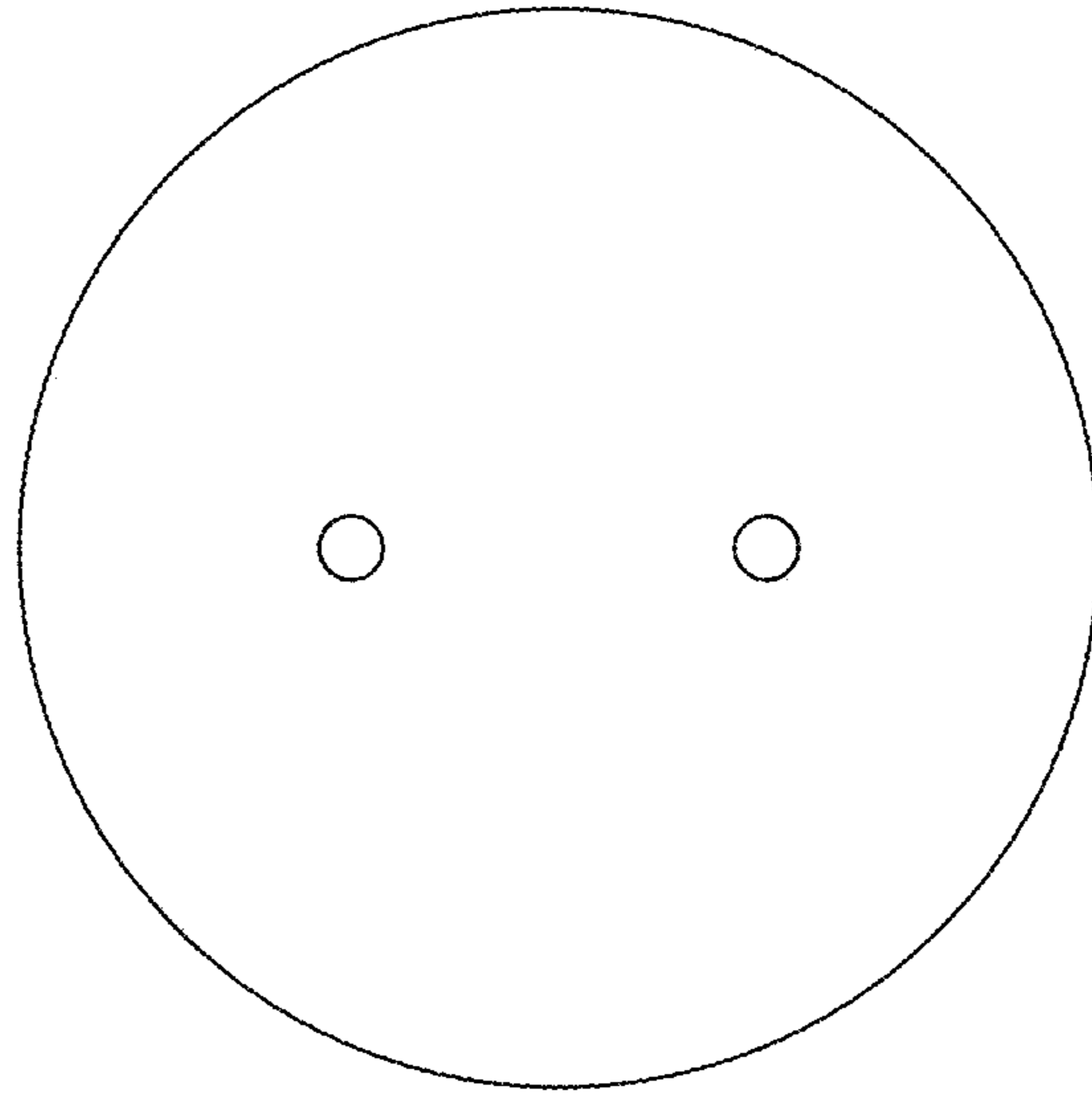


FIG. 4

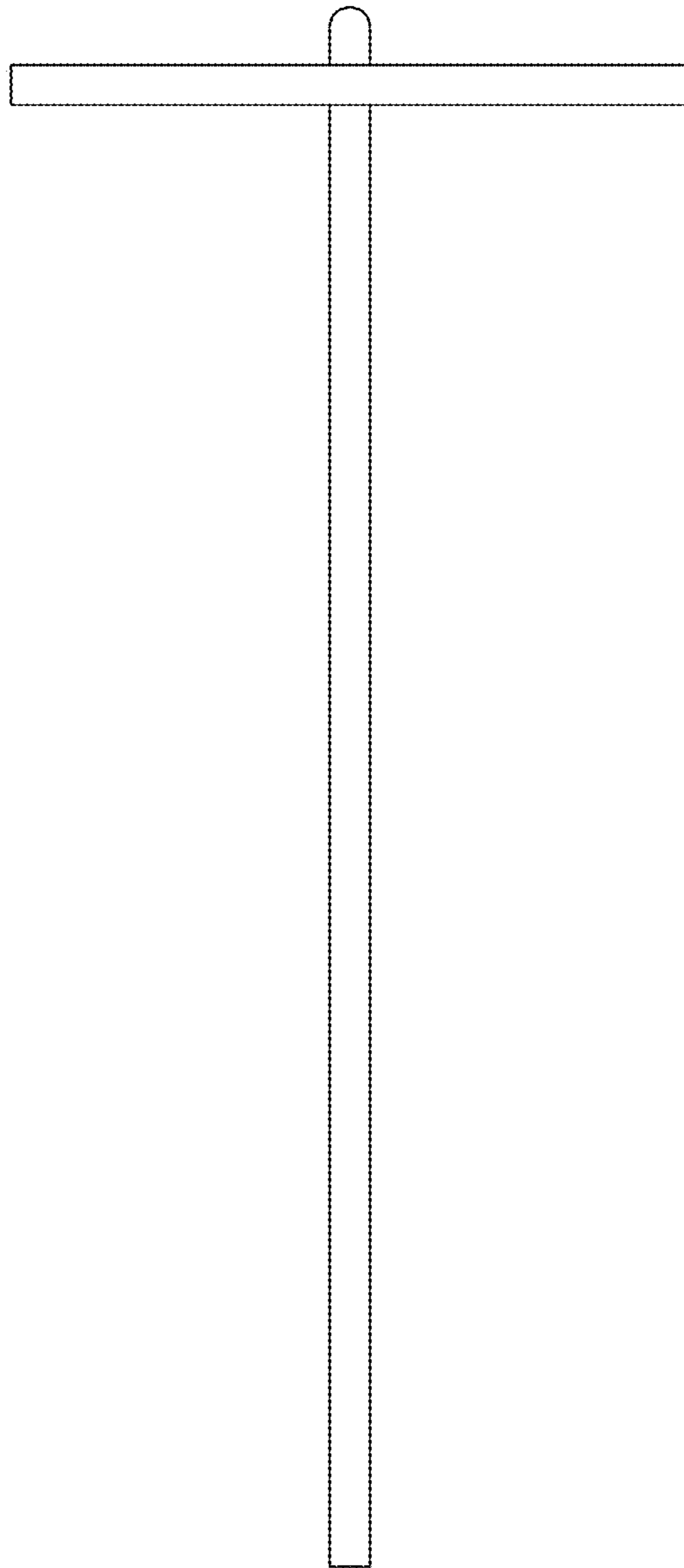


FIG. 5

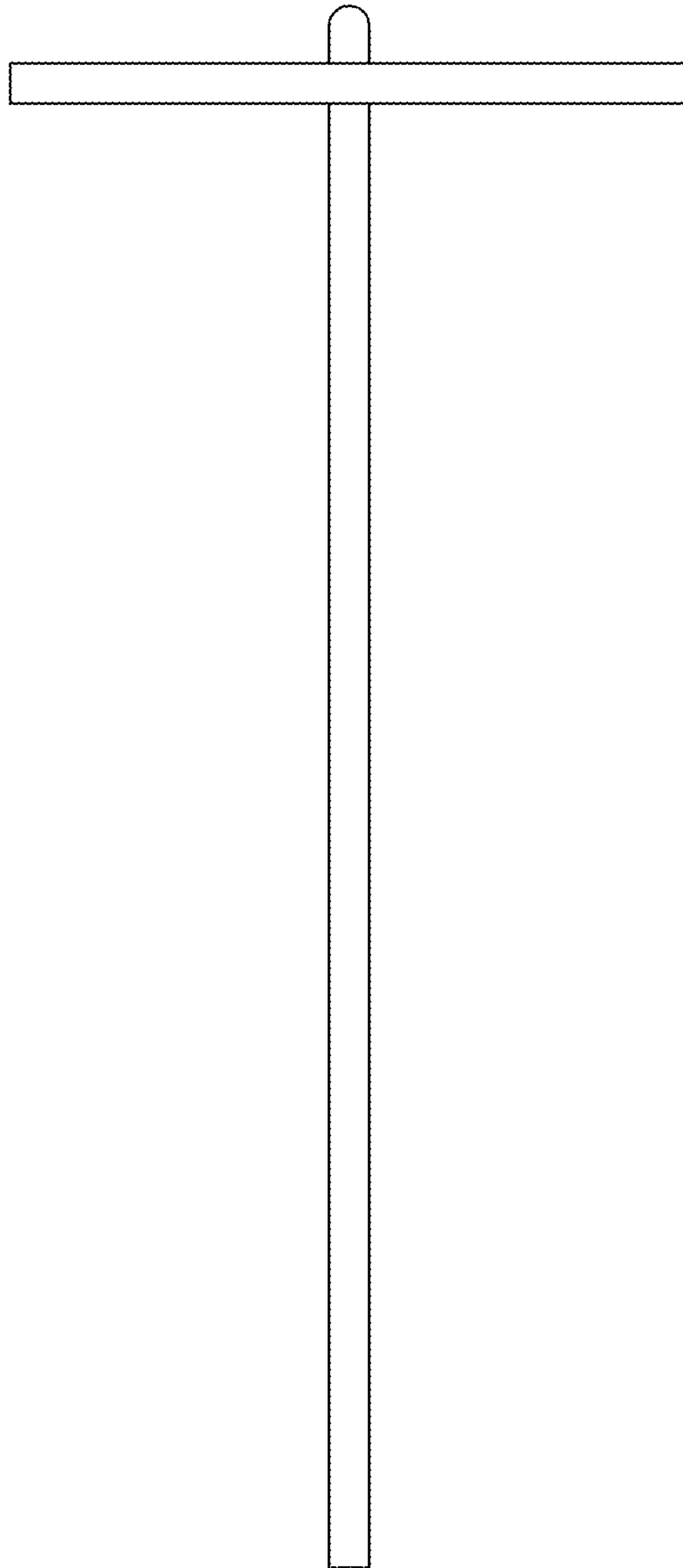


FIG. 6

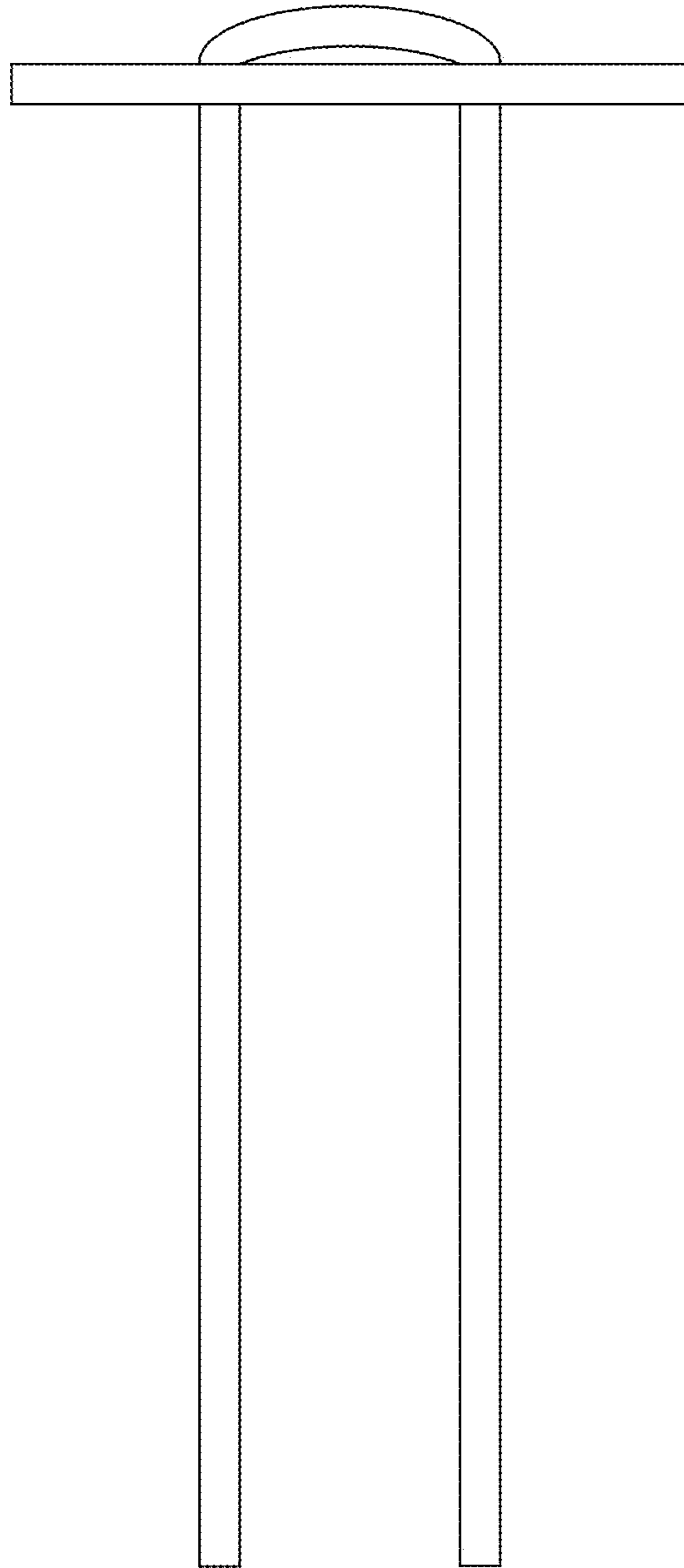


FIG. 7