



US00D739691S

(12) **United States Design Patent**
de Groot

(10) **Patent No.:** **US D739,691 S**

(45) **Date of Patent:** **** Sep. 29, 2015**

(54) **FOOD BIN WITH CUTTING BOARD**

(71) Applicant: **Jan-Hendrik de Groot**, Brussels (BE)

(72) Inventor: **Jan-Hendrik de Groot**, Brussels (BE)

(73) Assignee: **Dart Industries Inc.**, Orlando, FL (US)

(**) Term: **14 Years**

(21) Appl. No.: **29/499,269**

(22) Filed: **Aug. 13, 2014**

(51) **LOC (10) Cl.** **07-04**

(52) **U.S. Cl.**
USPC **D7/698**

(58) **Field of Classification Search**

USPC D7/543, 549, 550.1, 586, 629,
D7/698-699; D9/424; D32/55-57
CPC A47B 77/02; A47J 27/002; A47J 36/027;
A47J 39/006; A47J 47/00; A47J 47/005;
A47J 47/20; B26D 7/0006; B26D 7/018;
B26D 7/20; B23D 21/00; B23K 37/04;
B23K 37/053; B23Q 16/001

See application file for complete search history.

(56) **References Cited**

U.S. PATENT DOCUMENTS

| | | | | |
|-----------|-----|---------|------------------|--------|
| 2,695,645 | A | 11/1954 | Tupper | |
| D175,202 | S | 7/1955 | Tupper | |
| 2,780,385 | A | 2/1957 | Tupper | |
| 3,194,462 | A | 7/1965 | Tupper | |
| D228,374 | S | 9/1973 | Swett | |
| D264,924 | S | 6/1982 | Swett | |
| D268,560 | S | 4/1983 | Daenen et al. | |
| D272,505 | S | 2/1984 | Daenen et al. | |
| D284,254 | S * | 6/1986 | Carlson | D7/629 |
| D304,276 | S | 10/1989 | Wolff et al. | |
| D304,277 | S | 10/1989 | Wolff et al. | |
| D332,204 | S * | 1/1993 | Carlson | D7/629 |
| 5,363,755 | A * | 11/1994 | Liang | 99/484 |
| D368,834 | S | 4/1996 | Lillelund et al. | |

| | | | | |
|-----------|-----|---------|-------------------|--------|
| D379,574 | S | 6/1997 | Jeppesen et al. | |
| D380,349 | S | 7/1997 | Indekey | |
| D380,938 | S | 7/1997 | Indekey | |
| D381,560 | S | 7/1997 | Indekey | |
| D382,445 | S | 8/1997 | Indekey | |
| D390,072 | S | 2/1998 | Miller | |
| 5,865,105 | A * | 2/1999 | Pepelanov | 99/446 |
| D417,592 | S | 12/1999 | Jeppesen et al. | |
| D463,224 | S | 9/2002 | Cautereels et al. | |
| D473,112 | S | 4/2003 | de Groot | |
| D528,371 | S | 9/2006 | de Groot | |
| D611,807 | S * | 3/2010 | Miga, Jr. | D9/424 |

(Continued)

Primary Examiner — Ricky Pham

(74) *Attorney, Agent, or Firm* — Taylor J. Ross

(57) **CLAIM**

The ornamental design for a food bin with cutting board, as shown and described.

DESCRIPTION

This application is related to co-pending application Ser. No. 14/458,706, filed Aug. 13, 2014, and is incorporated herein by reference.

FIG. 1 is a top, front and left side perspective view of a food bin with cutting board showing my new design;

FIG. 2 is top, front and left side exploded view of the food bin with cutting board shown in FIG. 1;

FIG. 3 is a bottom, front and right side exploded view thereof;

FIG. 4 is a top plan view thereof;

FIG. 5 is a bottom plan view thereof;

FIG. 6 is a front elevation view, the rear elevation being identical thereto;

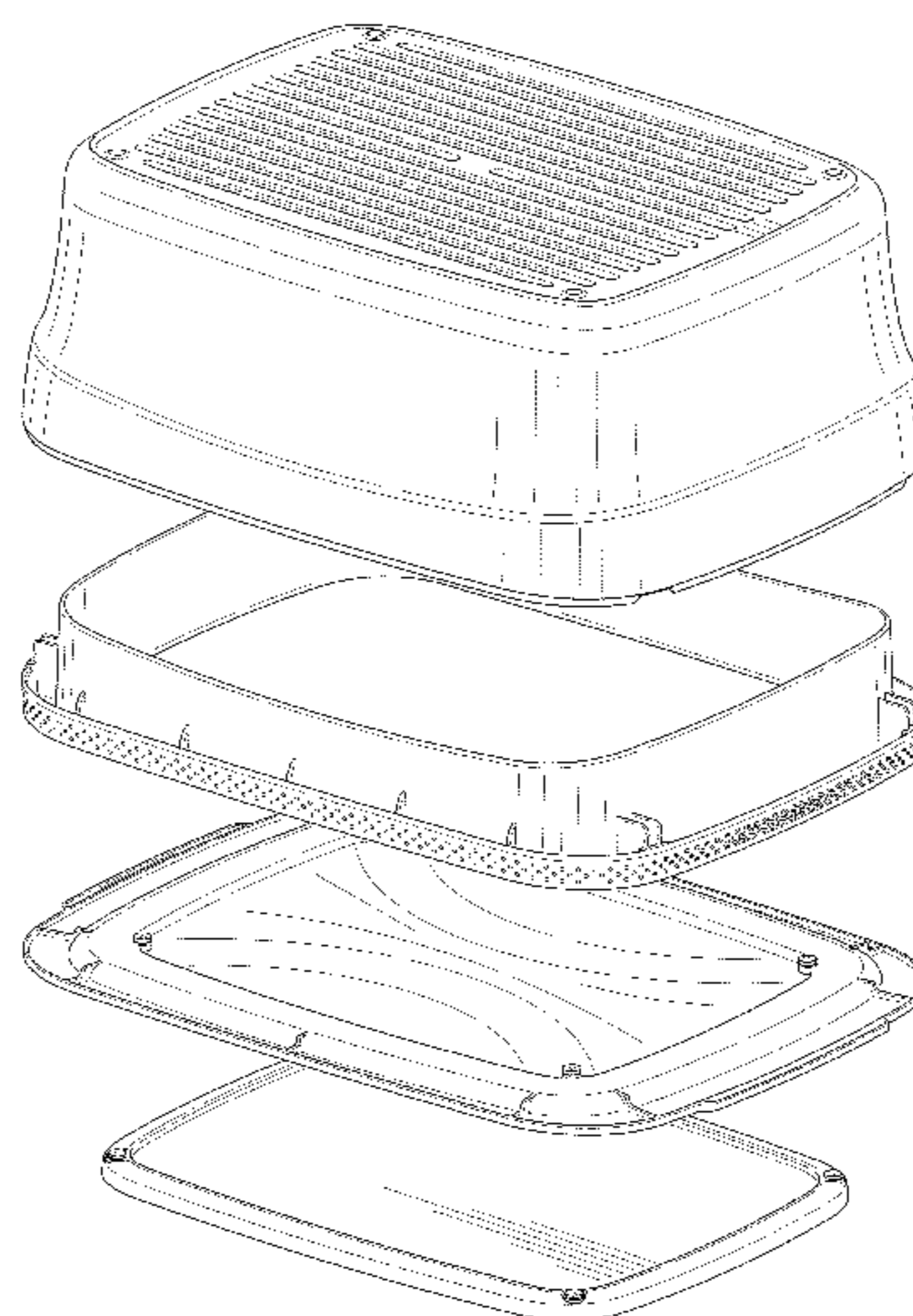
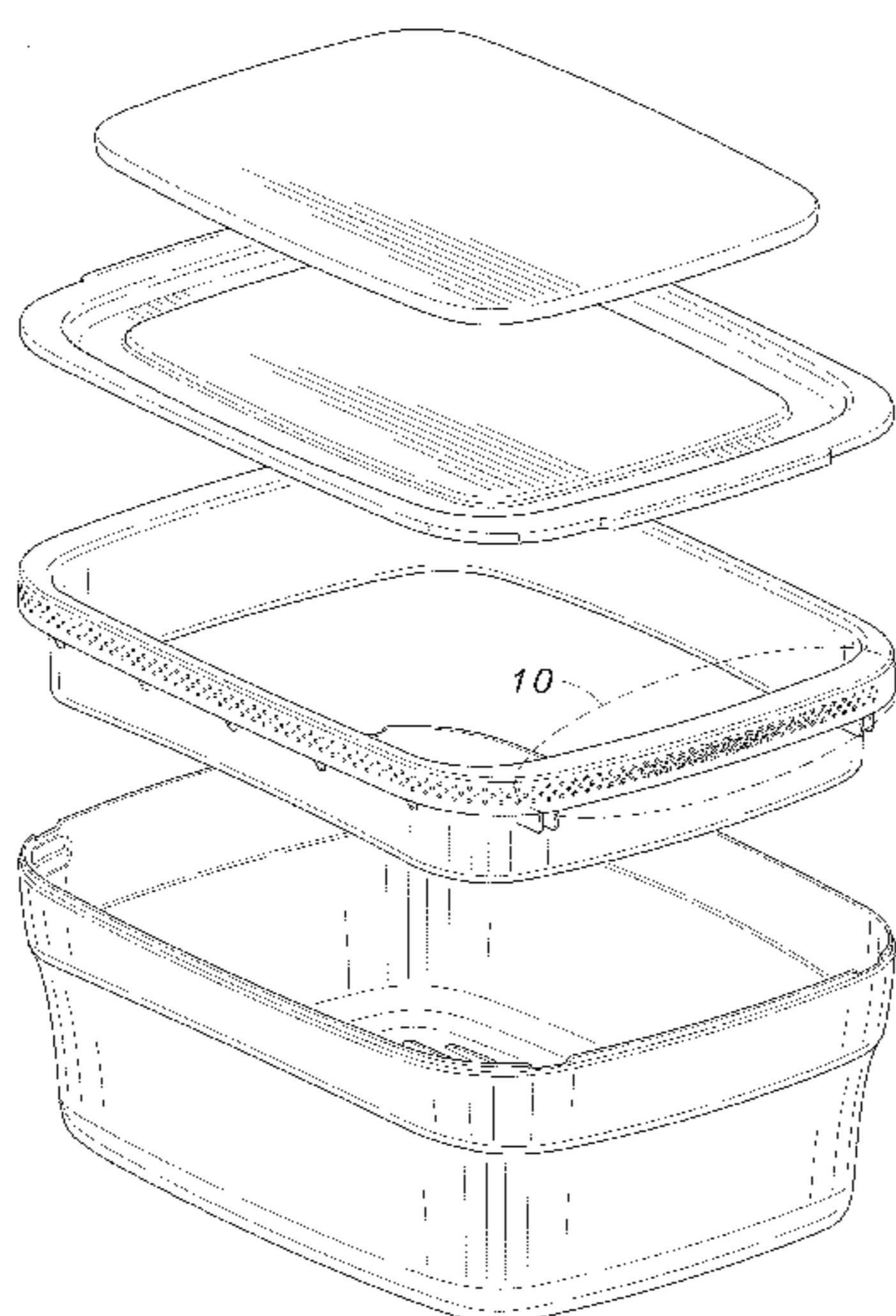
FIG. 7 is a right side elevation view, the left side being identical thereto;

FIG. 8 is a cross-sectional view taken along line 8-8 of FIG. 4;

FIG. 9 is a cross-sectional view taken along line 9-9 of FIG. 4; and,

FIG. 10 is a detailed perspective view from portion 10 in FIG. 2.

1 Claim, 6 Drawing Sheets



(56)

References Cited

U.S. PATENT DOCUMENTS

D640,513 S 6/2011 Cornu
D687,268 S * 8/2013 Difante D7/698
8,887,943 B1 * 11/2014 Miller 220/573.1
D718,983 S * 12/2014 Yessin et al. D7/629

D724,905 S * 3/2015 Tsui D7/698
2007/0267800 A1 * 11/2007 Zeng 269/302.1
2008/0248173 A1 * 10/2008 Hopkins, Sr. 426/243
2009/0014935 A1 * 1/2009 Zeng 269/302.1
2013/0341335 A1 * 12/2013 Sitabkhan et al. 220/573.5

* cited by examiner

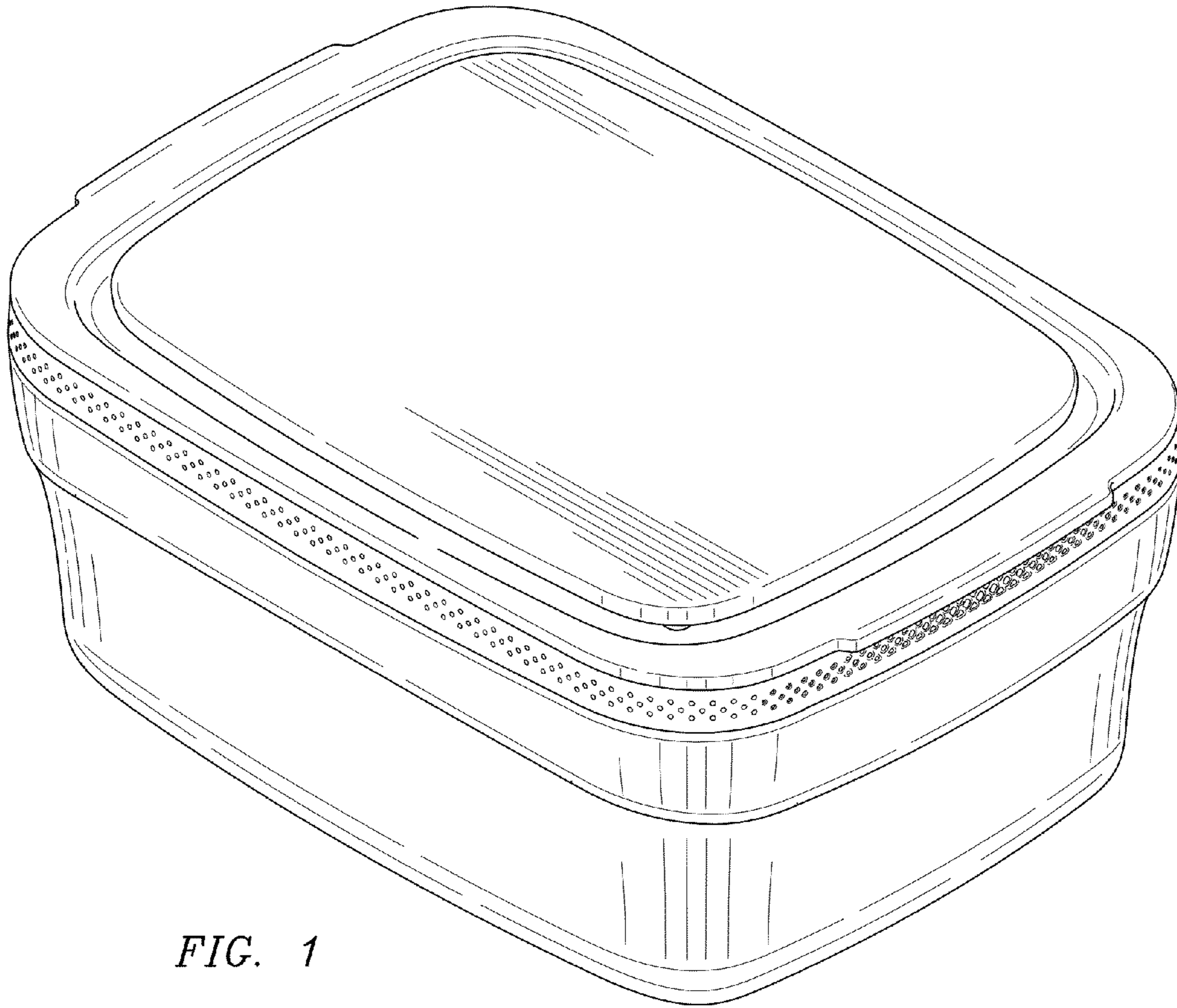


FIG. 1

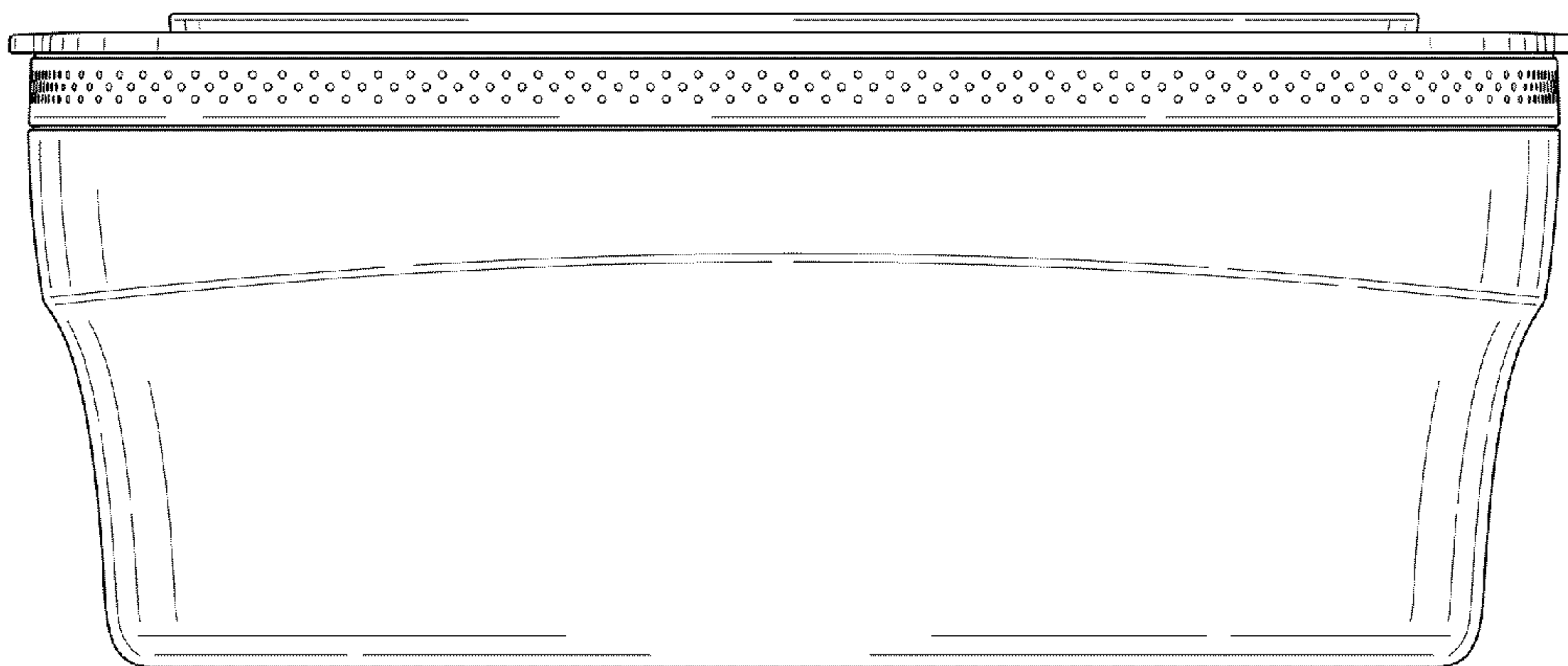


FIG. 6

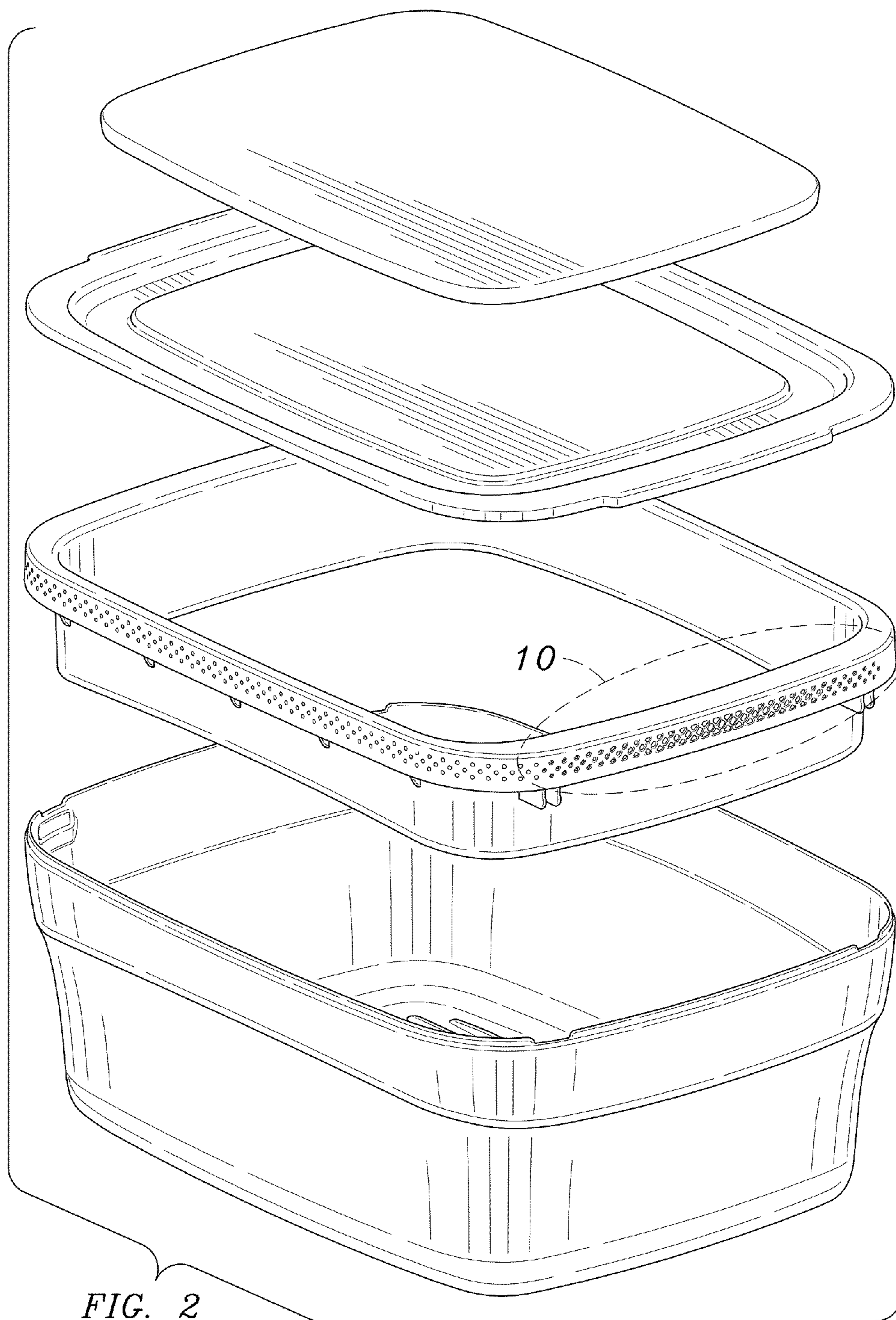


FIG. 2

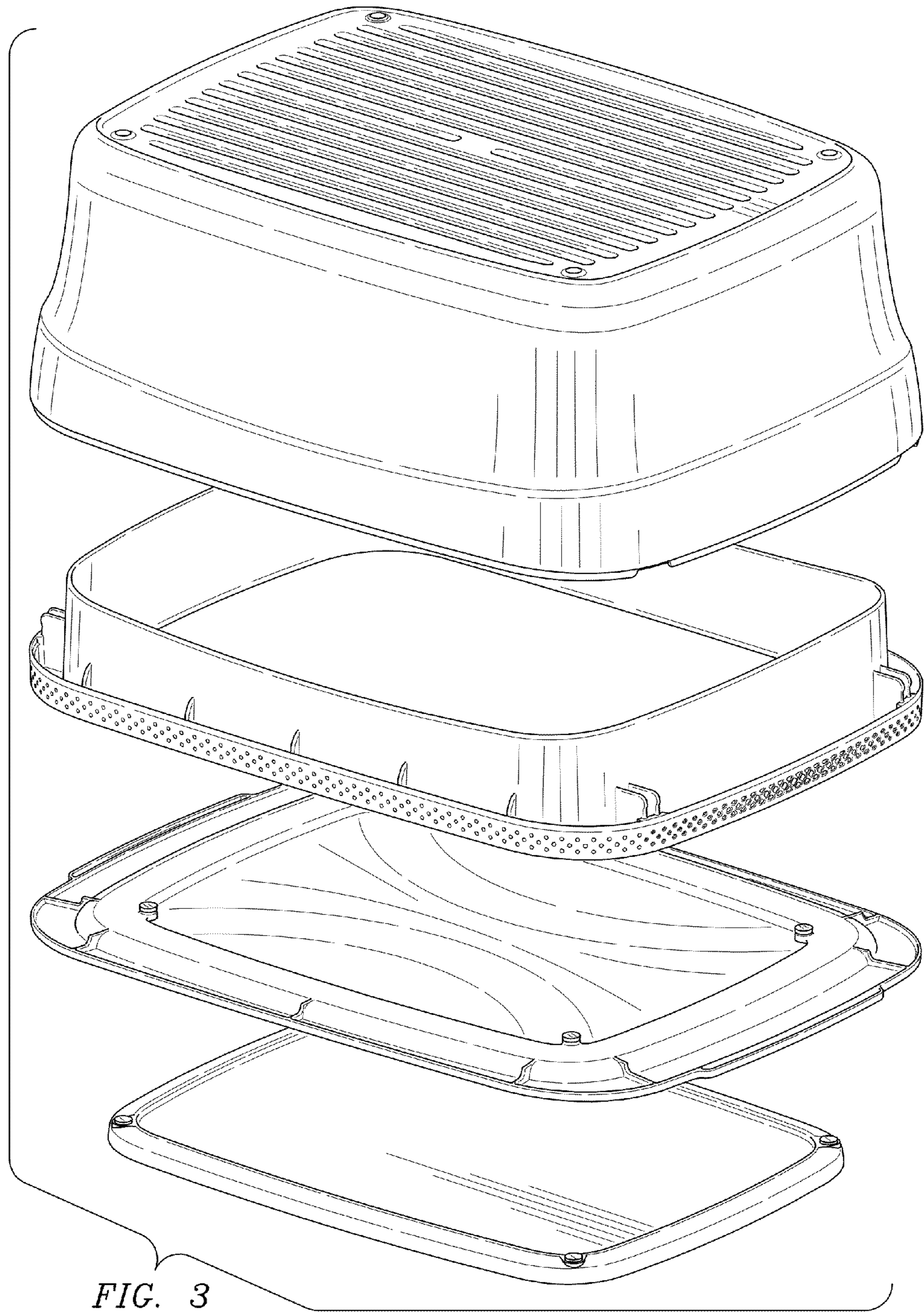


FIG. 3

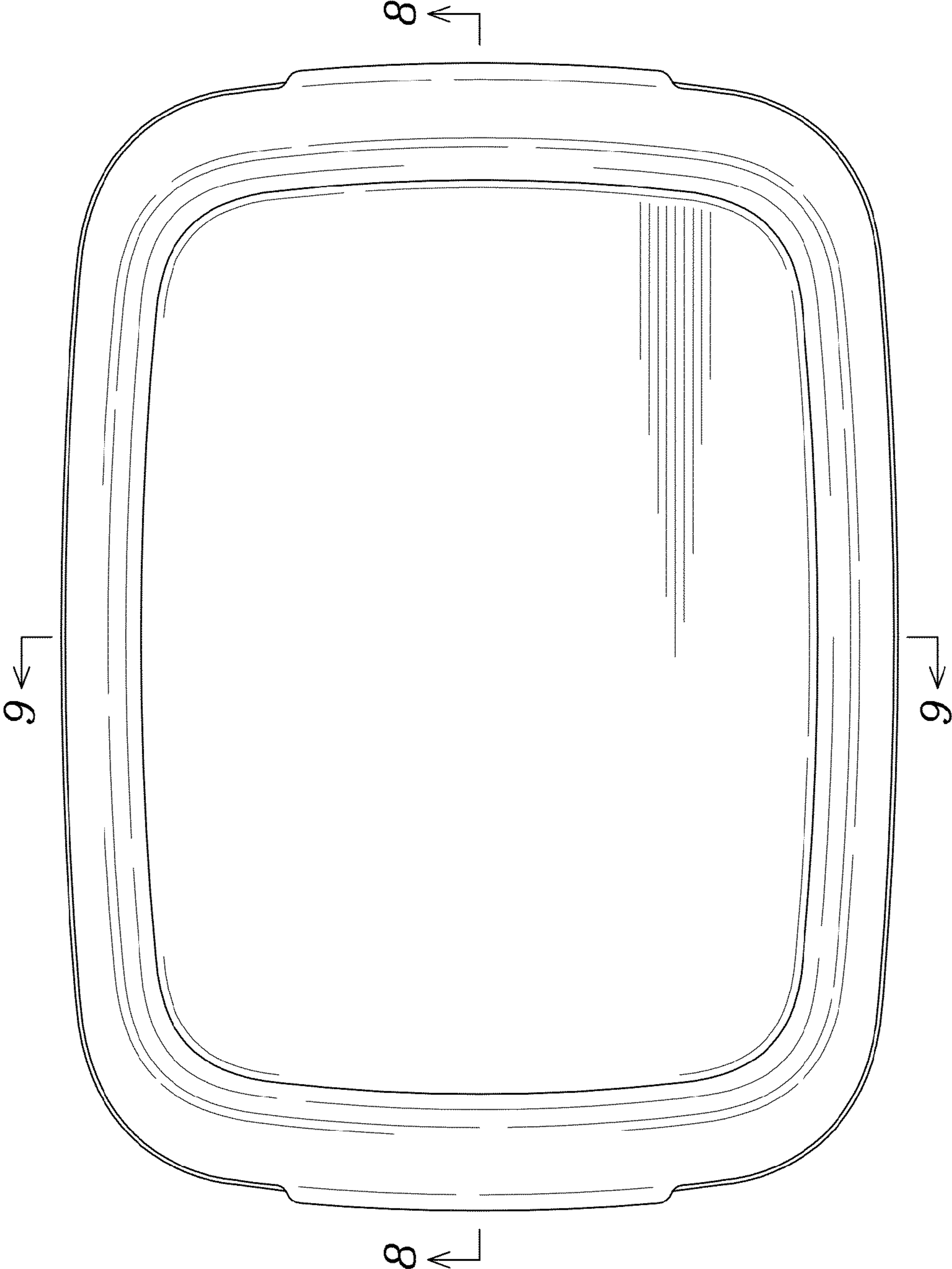


FIG. 4

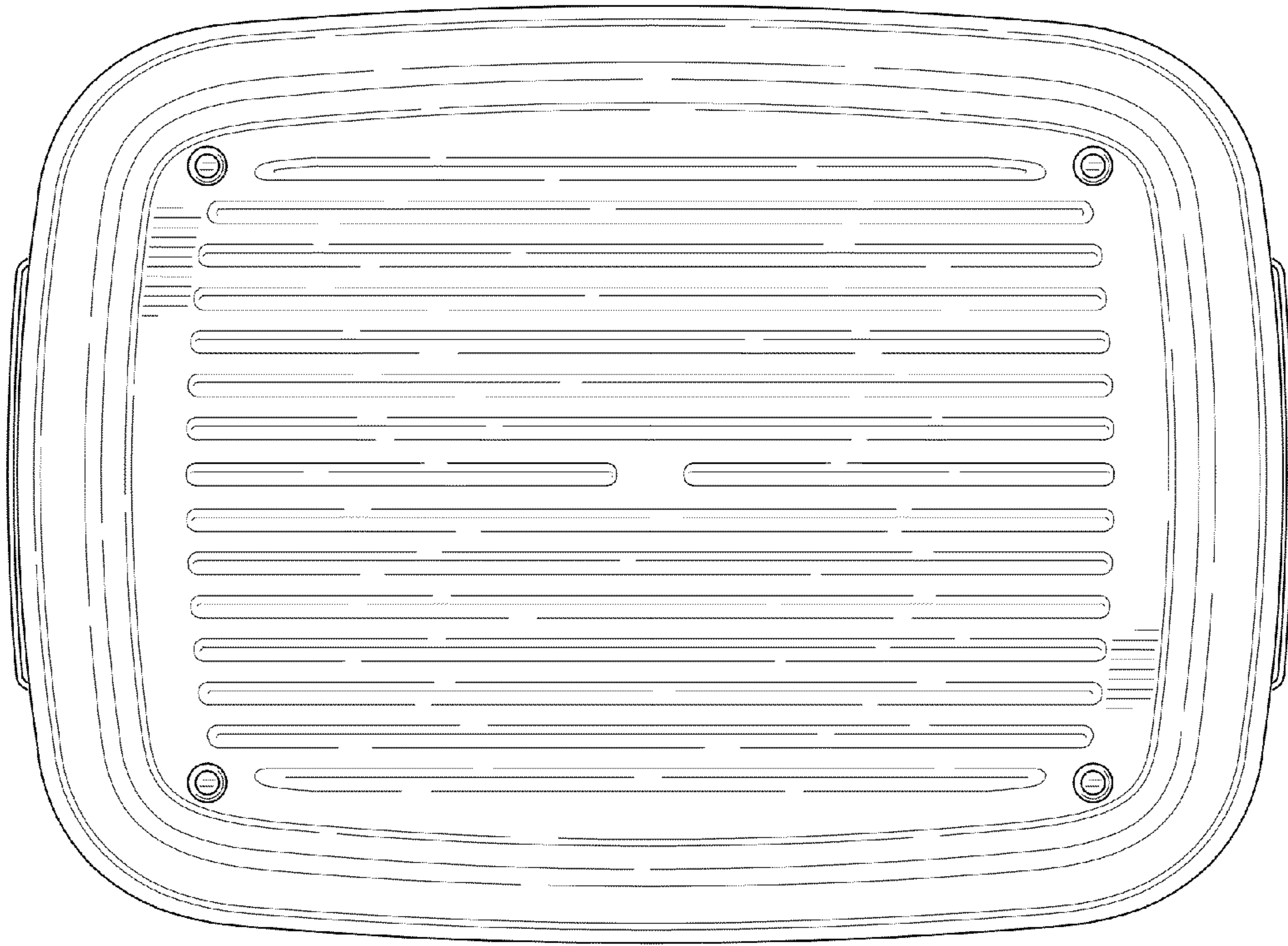


FIG. 5

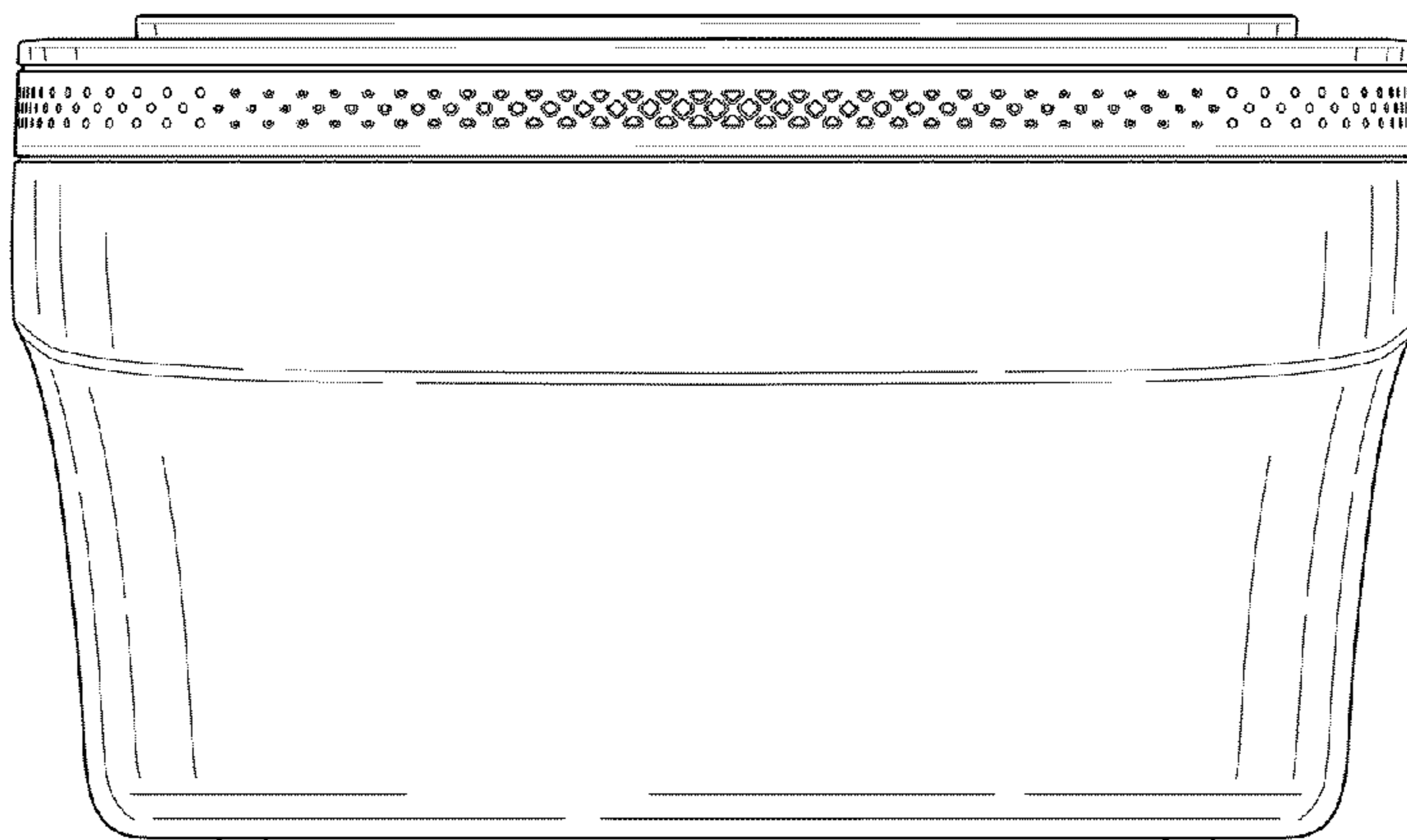


FIG. 7

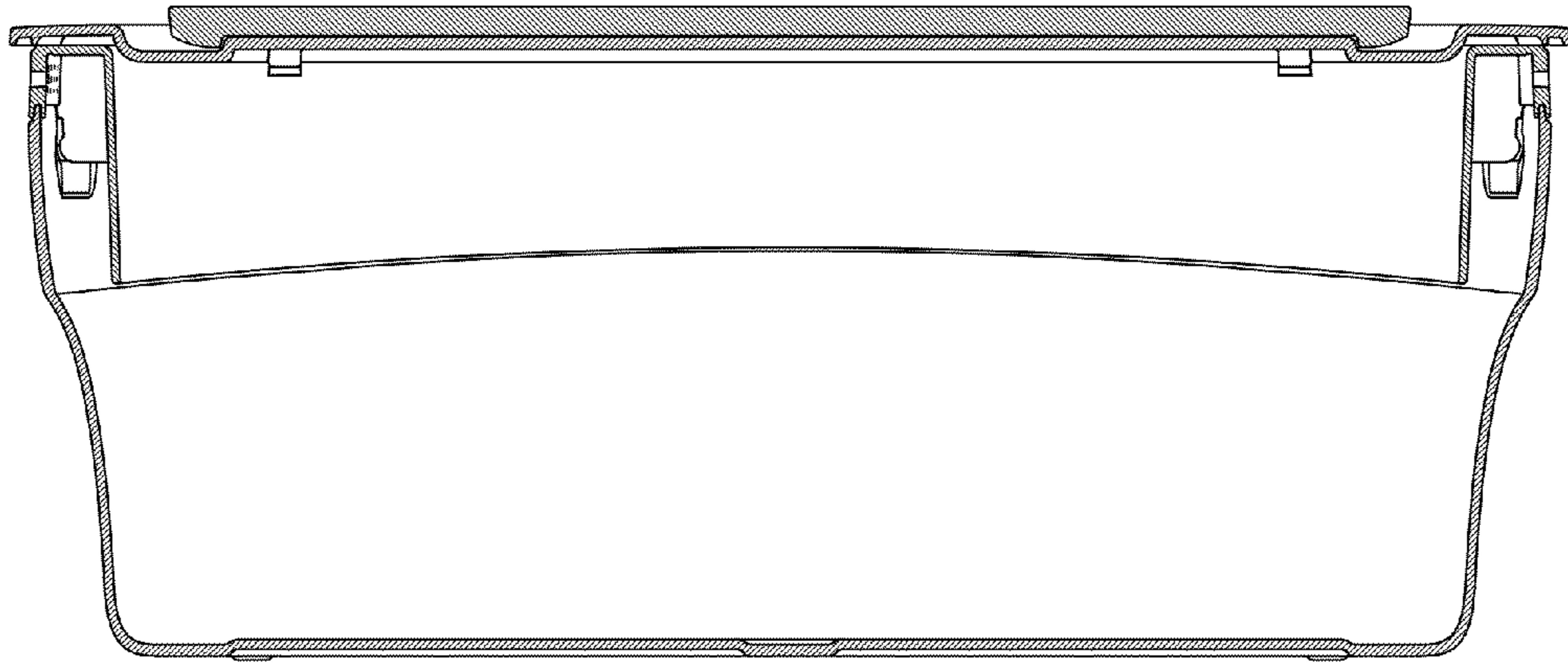


FIG. 8

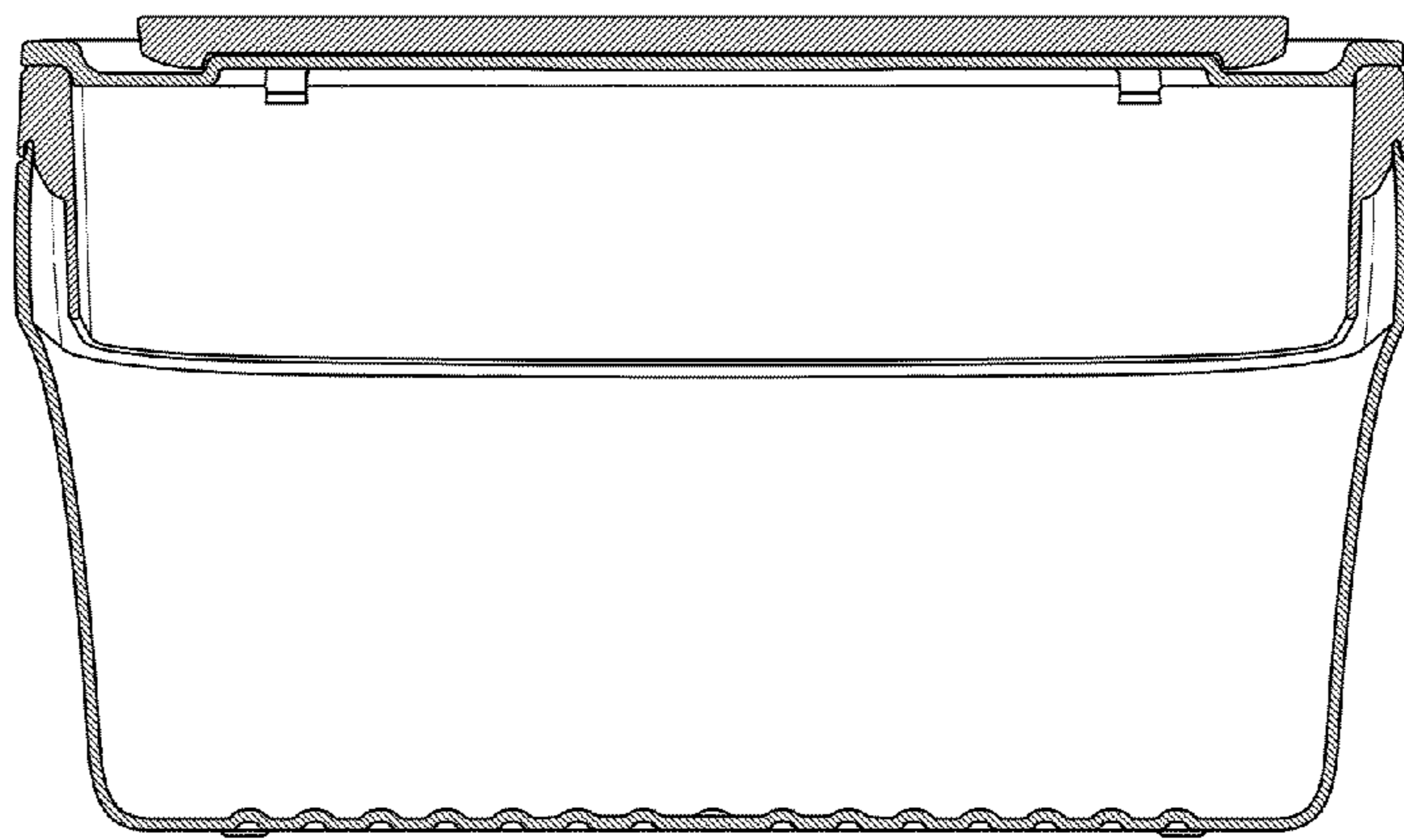


FIG. 9

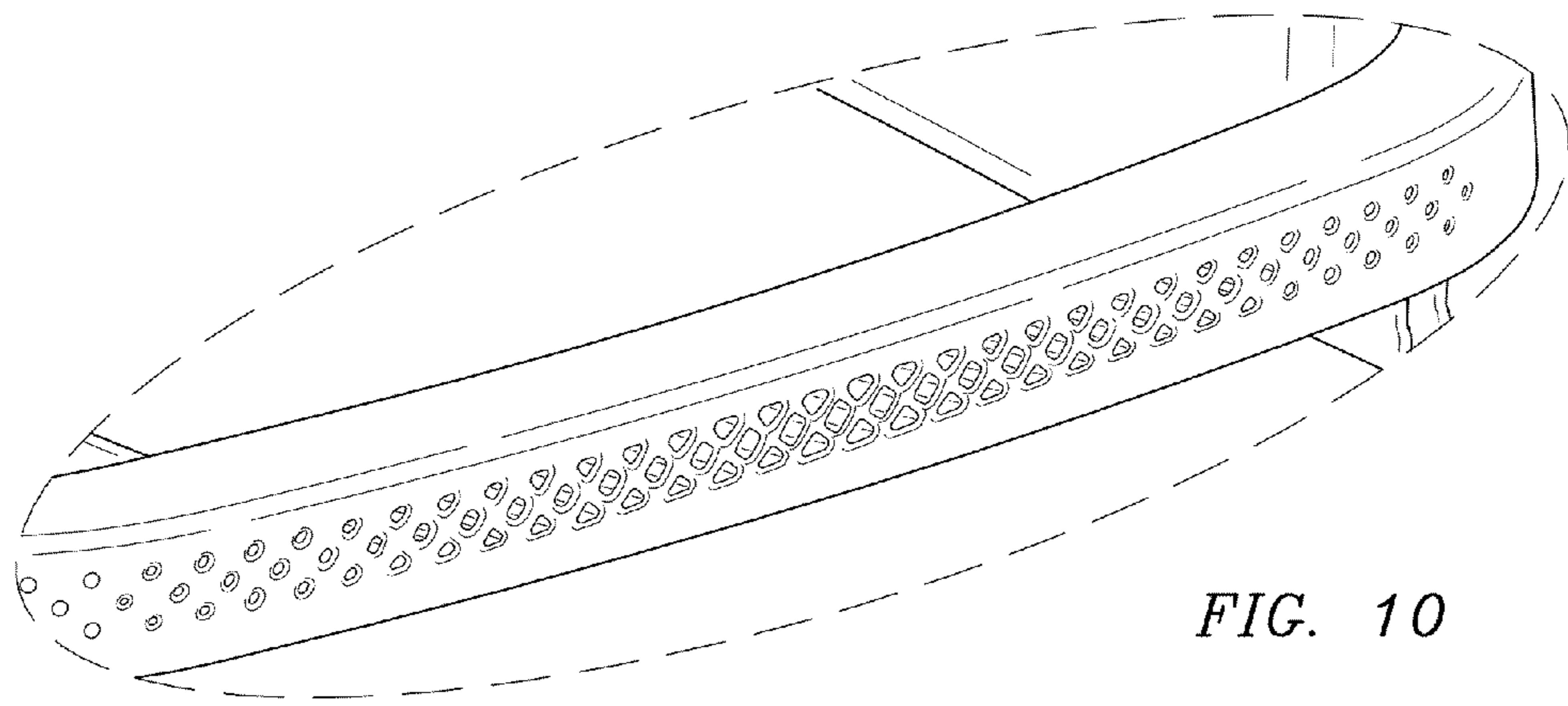


FIG. 10