



US00D739689S

(12) **United States Design Patent**
Metaxatos et al.

(10) **Patent No.:** **US D739,689 S**

(45) **Date of Patent:** **** Sep. 29, 2015**

(54) **KITCHEN MEAT SHREDDER**

(71) Applicant: **Infusion Living LLC**, West Chester, PA (US)

(72) Inventors: **Paul K Metaxatos**, Swampscott, MA (US); **Joel F Nevin**, Portsmouth, NH (US); **Alice S Mayfield**, Boston, MA (US); **Julie L Napolitan**, Arlington, MA (US); **Christine L Reibl**, West Chester, PA (US); **William P Reibl**, West Chester, PA (US)

(73) Assignee: **INFUSION LIVING LLC**, West Chester, PA (US)

(**) Term: **14 Years**

(21) Appl. No.: **29/489,712**

(22) Filed: **May 2, 2014**

Related U.S. Application Data

(63) Continuation of application No. 14/251,348, filed on Apr. 11, 2014.

(51) **LOC (10) Cl.** **07-04**

(52) **U.S. Cl.**
USPC **D7/693; D7/677**

(58) **Field of Classification Search**
USPC D7/693-696, 368, 669, 672-677, 372, D7/381-385; 241/30, 169.1, 169.2, 168, 241/273.2
CPC B02C 18/24; B02C 18/16; A47J 19/06; A47J 19/04

See application file for complete search history.

(56) **References Cited**

U.S. PATENT DOCUMENTS

5,733,173	A *	3/1998	Whittle	B02C 17/14 241/228
6,637,684	B1 *	10/2003	Ross	A47J 42/14 241/169.1
7,367,519	B2 *	5/2008	de Groote	A47J 19/04 241/168
7,422,170	B2 *	9/2008	Bao	B02C 18/24 241/168
8,393,563	B2 *	3/2013	Chaoui	B02C 18/08 241/168
D689,347	S *	9/2013	Hainbach	D7/693

(Continued)

Primary Examiner — Terry Wallace

(74) *Attorney, Agent, or Firm* — Manion Gaynor & Manning LLP; Lawrence K. DeMeo

(57) **CLAIM**

The ornamental design for a kitchen meat shredder, as shown and described.

DESCRIPTION

FIG. 1 is a top plan view of the kitchen meat shredder showing our new design.

FIG. 2 is a front view thereof, the opposite side being a mirror image.

FIG. 3 is a left side view thereof, the opposite side being a mirror image.

FIG. 4 is a bottom plan view thereof.

FIG. 5 is a perspective view thereof.

FIG. 6 is a top plan view of the base of FIG. 1.

FIG. 7 is a front, rear, left and right side view of FIG. 6.

FIG. 8 is a perspective view of FIG. 6.

FIG. 9 is a top plan view of the lid of FIG. 1.

FIG. 10 is a front and rear view of FIG. 9.

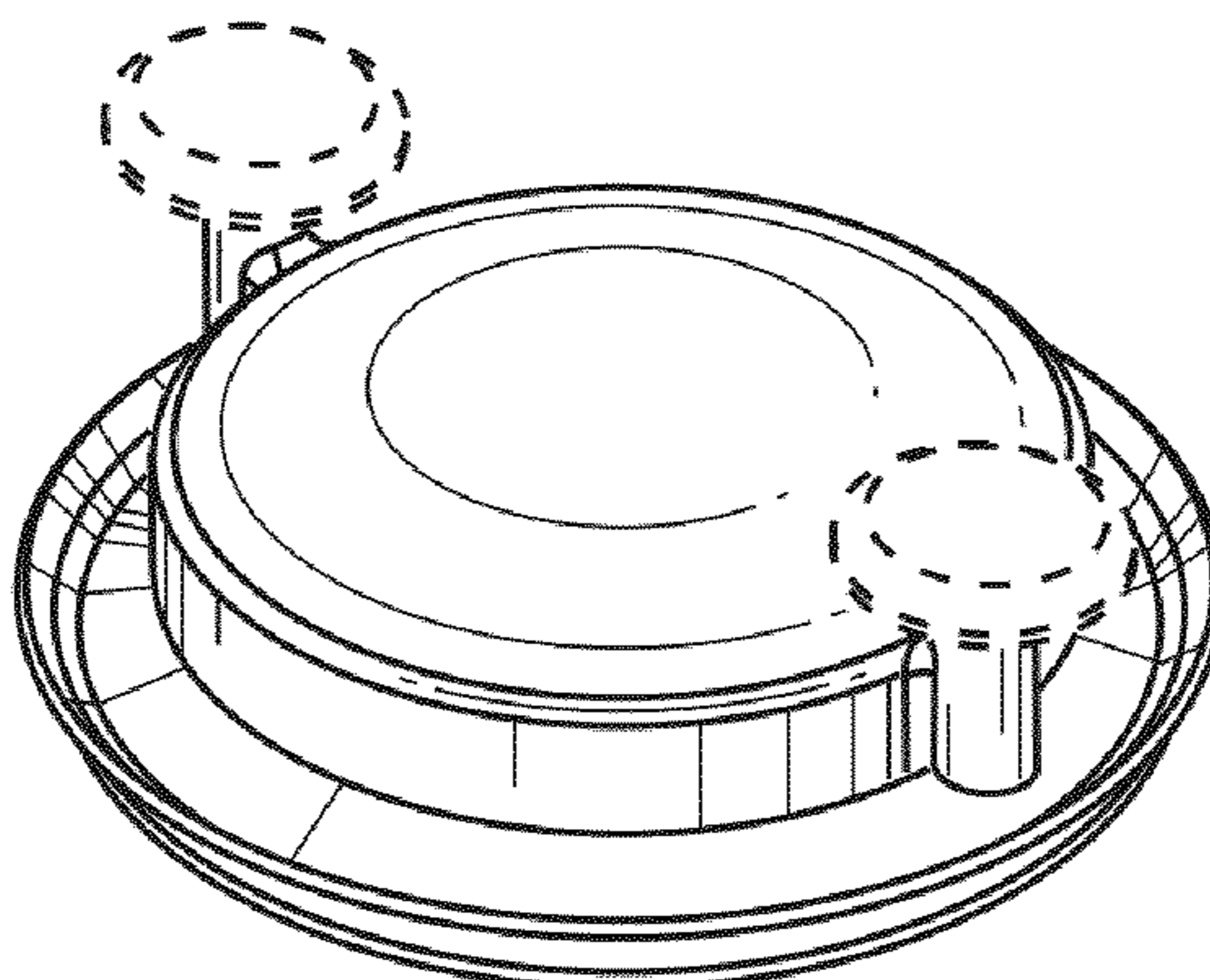
FIG. 11 is a left and right side view of FIG. 9.

FIG. 12 is a bottom plan view of FIG. 9; and,

FIG. 13 is a perspective view of FIG. 9.

The base and lid are shown separately for clarity of illustration. The broken lines are for illustrative purposes only and form no part of the claimed design.

1 Claim, 3 Drawing Sheets



(56)

References Cited

U.S. PATENT DOCUMENTS

8,534,579 B2 *	9/2013	Carapelli	A47J 42/08 241/168
D702,853 S *	4/2014	Priebe	D24/220
8,733,679 B2 *	5/2014	Camitta	B02C 18/16 241/169.1
2003/0015611 A1 *	1/2003	Teng	A47J 19/06 241/169.1
2008/0111012 A1 *	5/2008	Cheung	A47J 43/1025 241/169.2
2012/0286081 A1 *	11/2012	Delbridge	A47J 42/14 241/169.1
2014/0209722 A1 *	7/2014	Unteregger	A47J 43/07 241/30

* cited by examiner

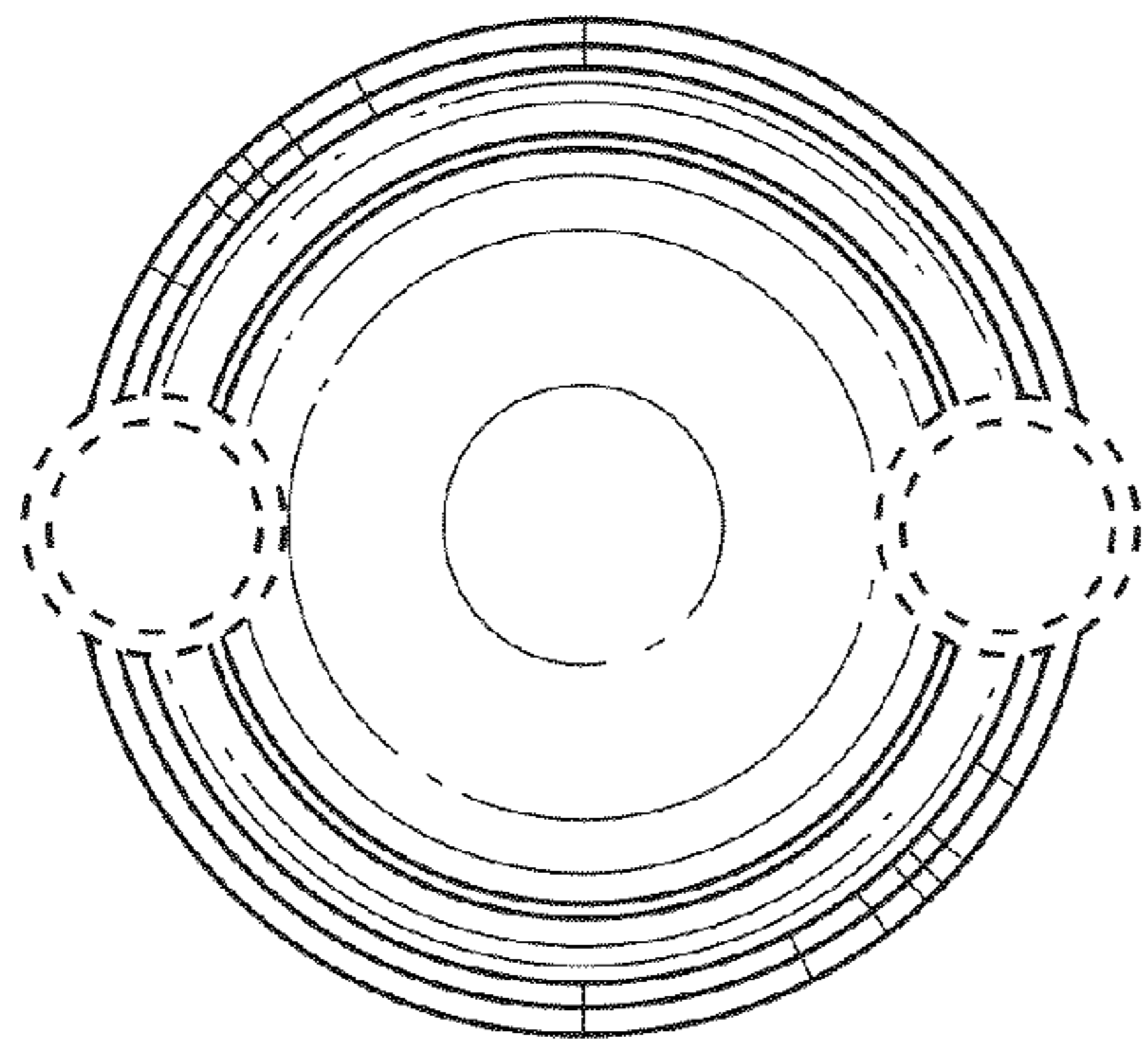


Fig. 1

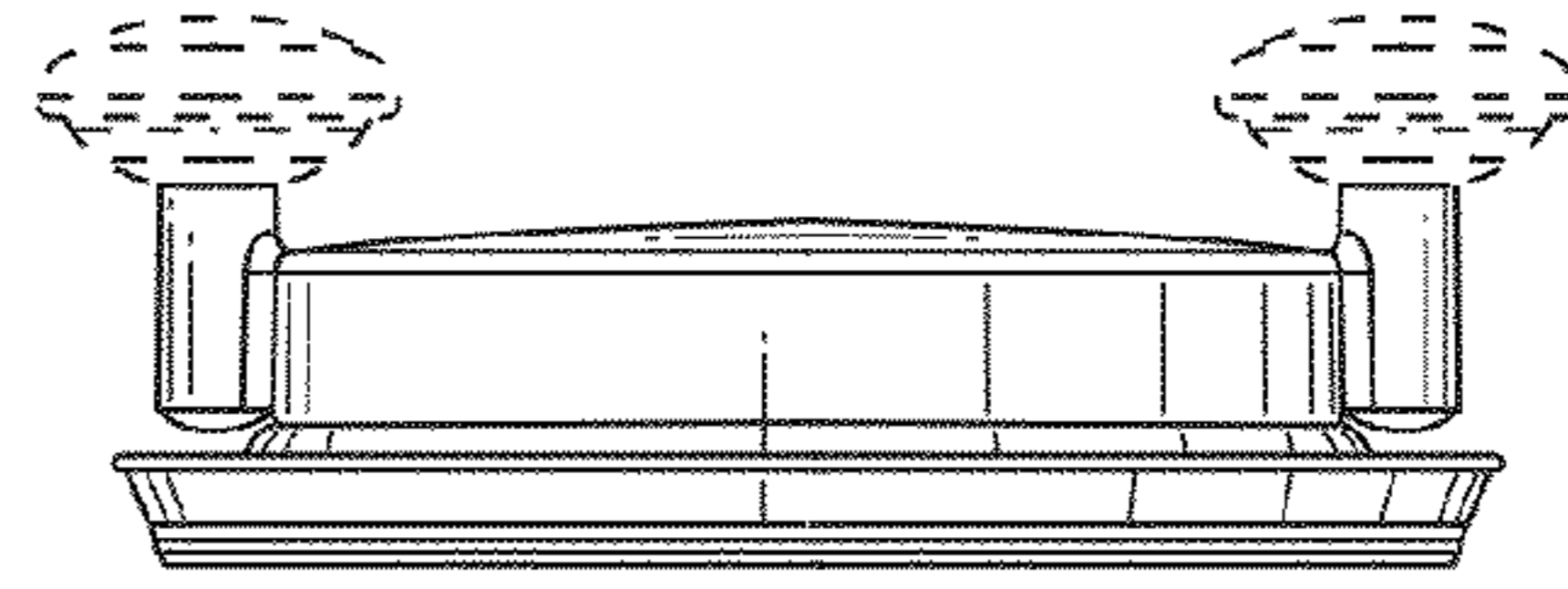


Fig. 2

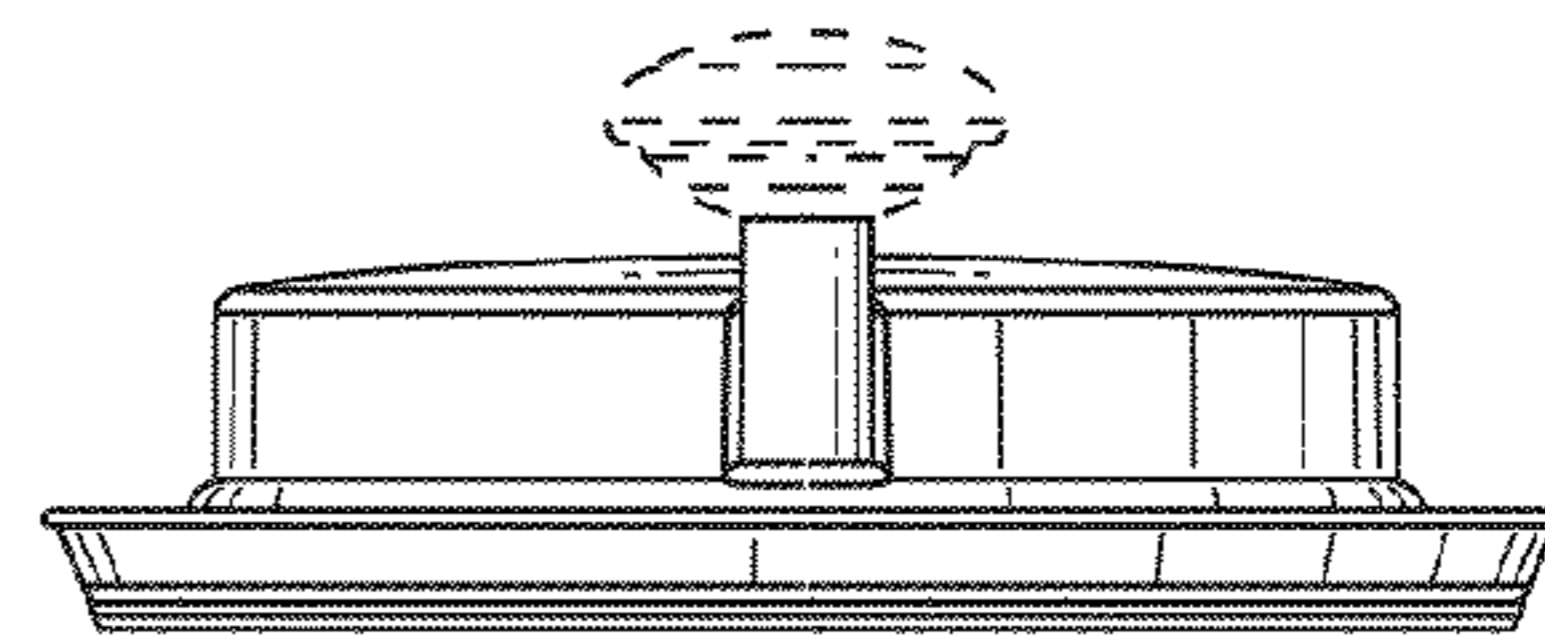


Fig. 3

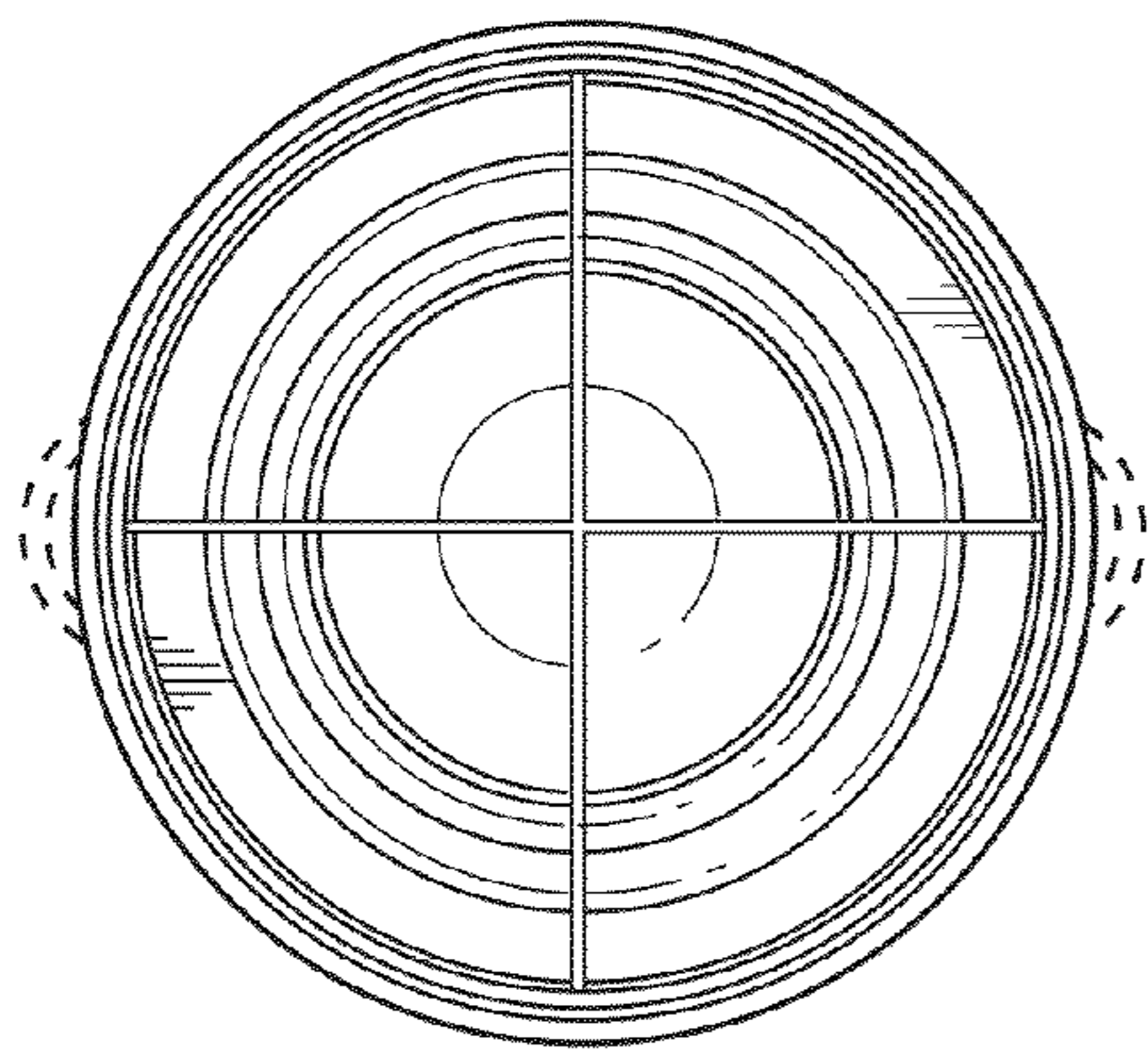


Fig. 4

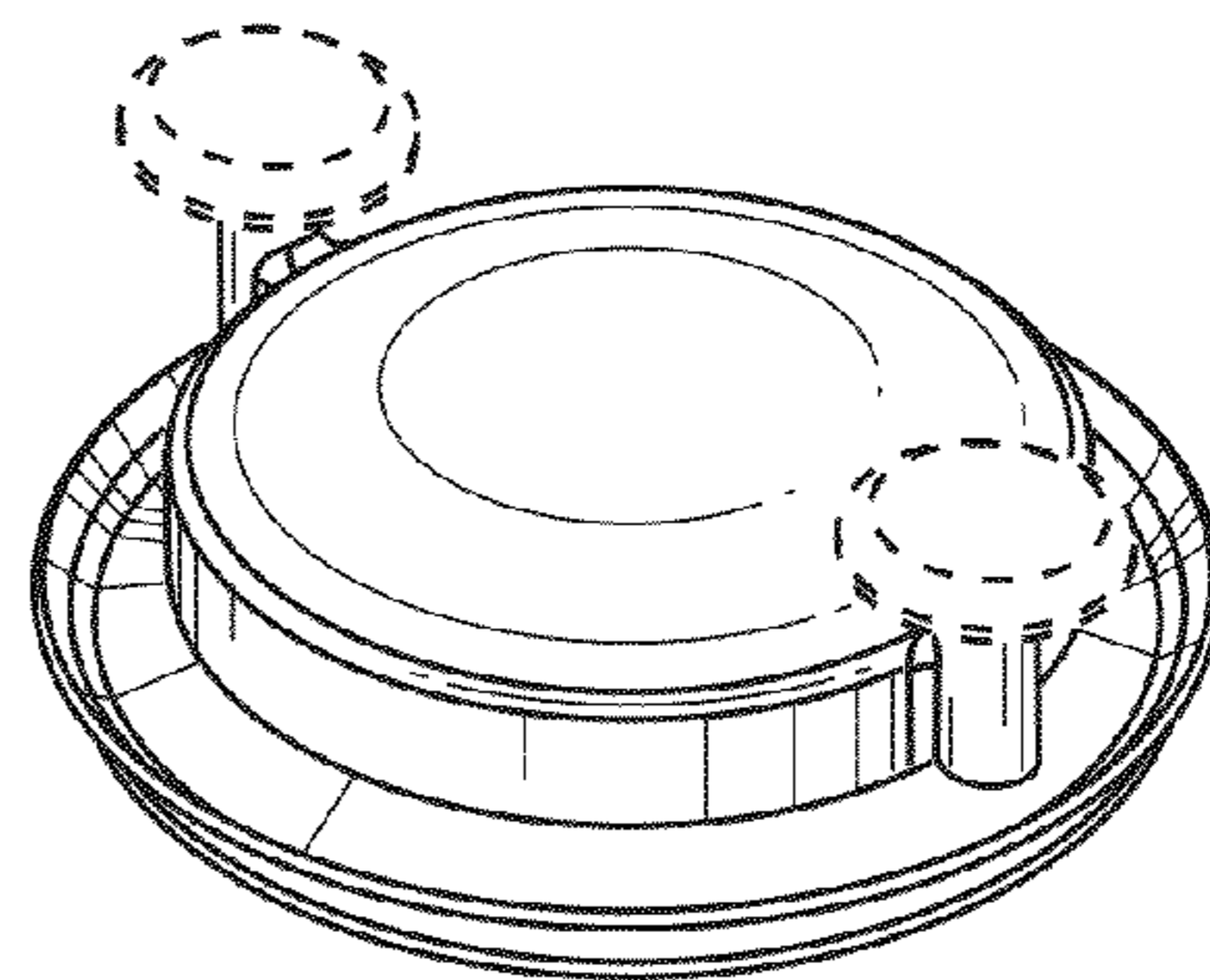


Fig. 5

Fig. 6

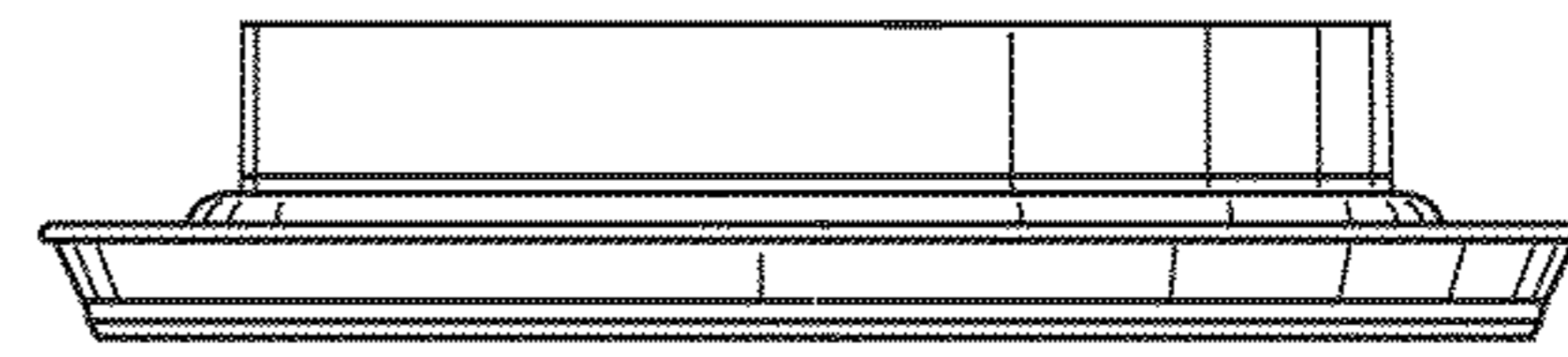
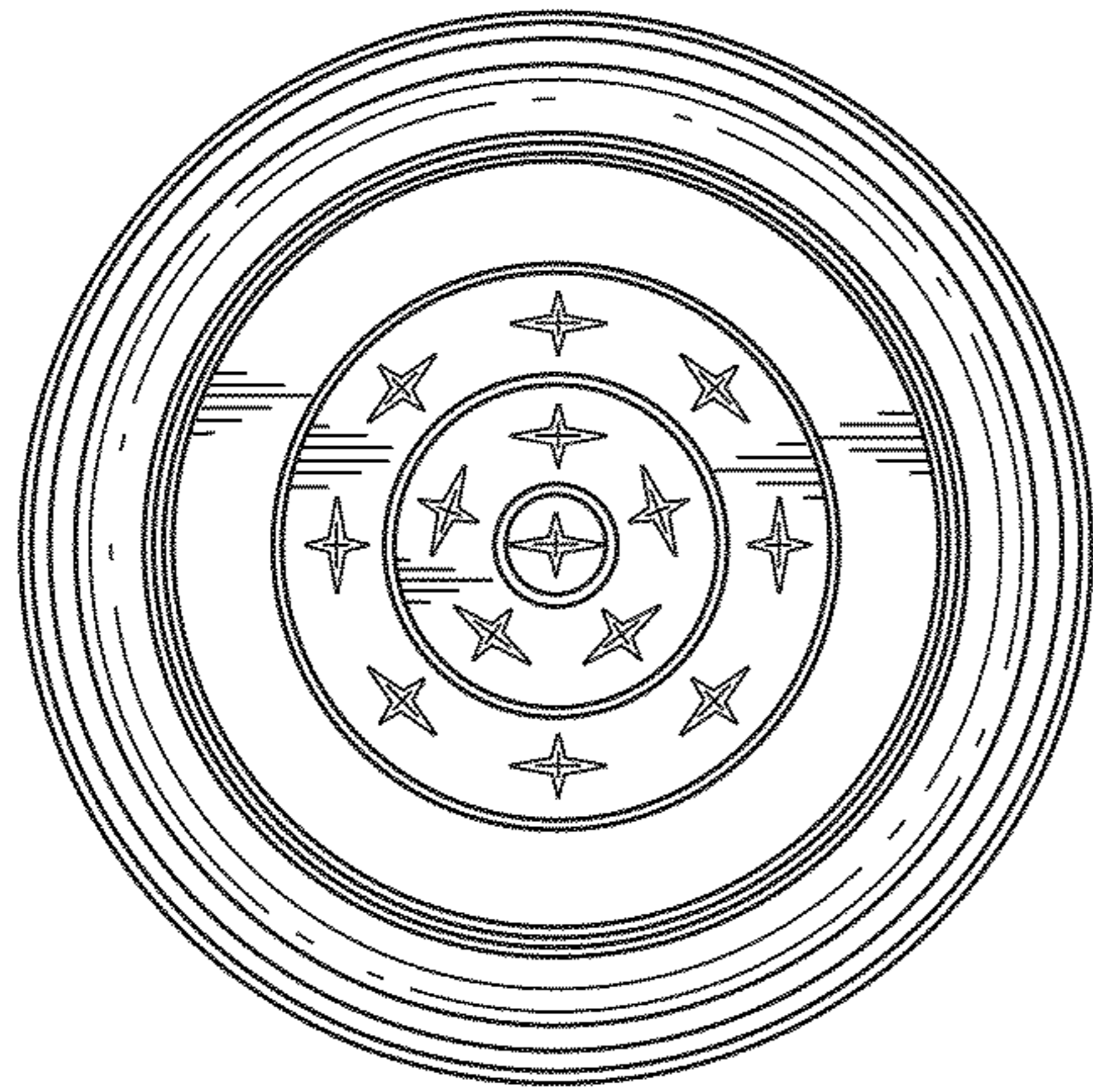


Fig. 7

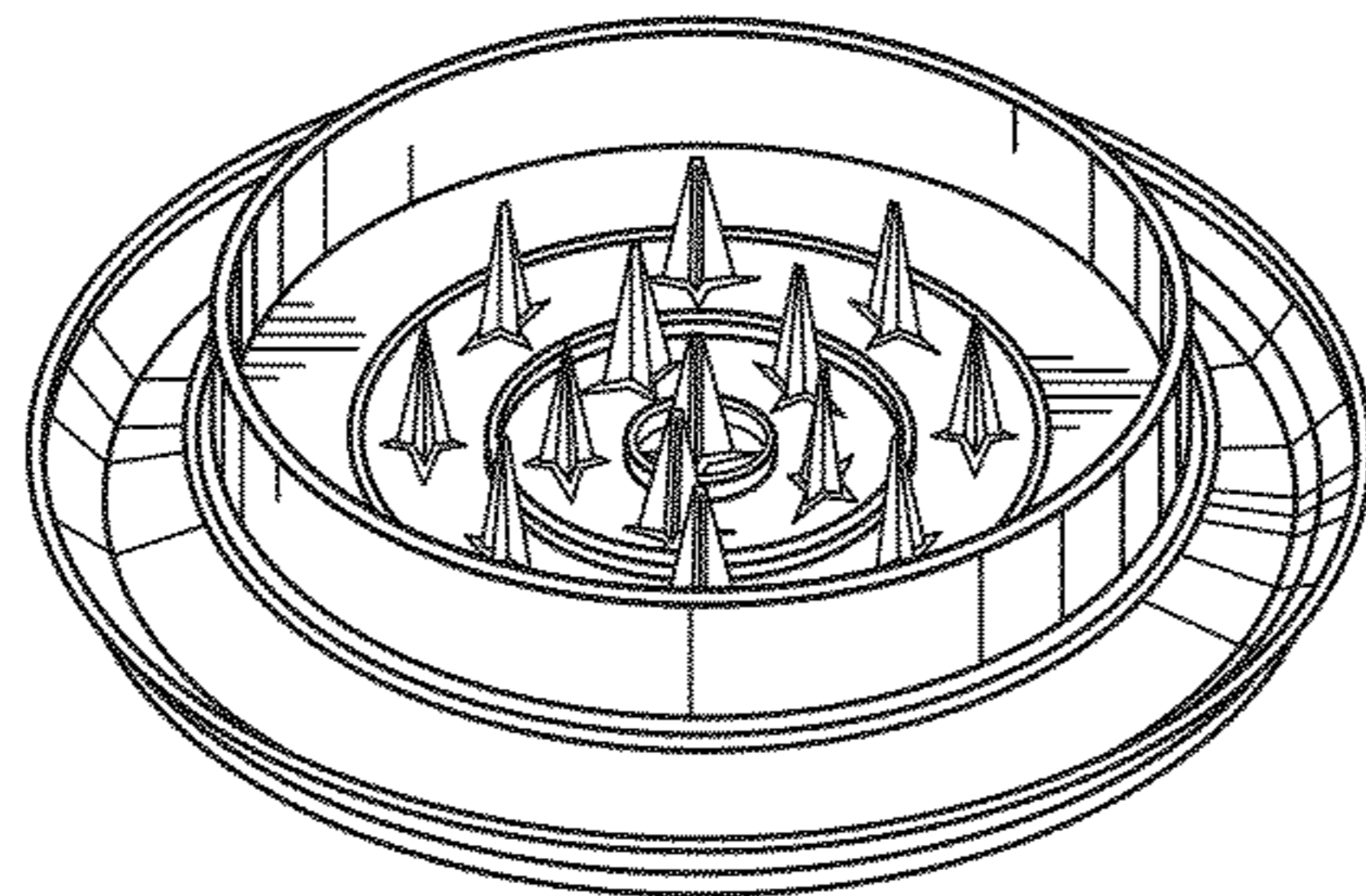


Fig. 8

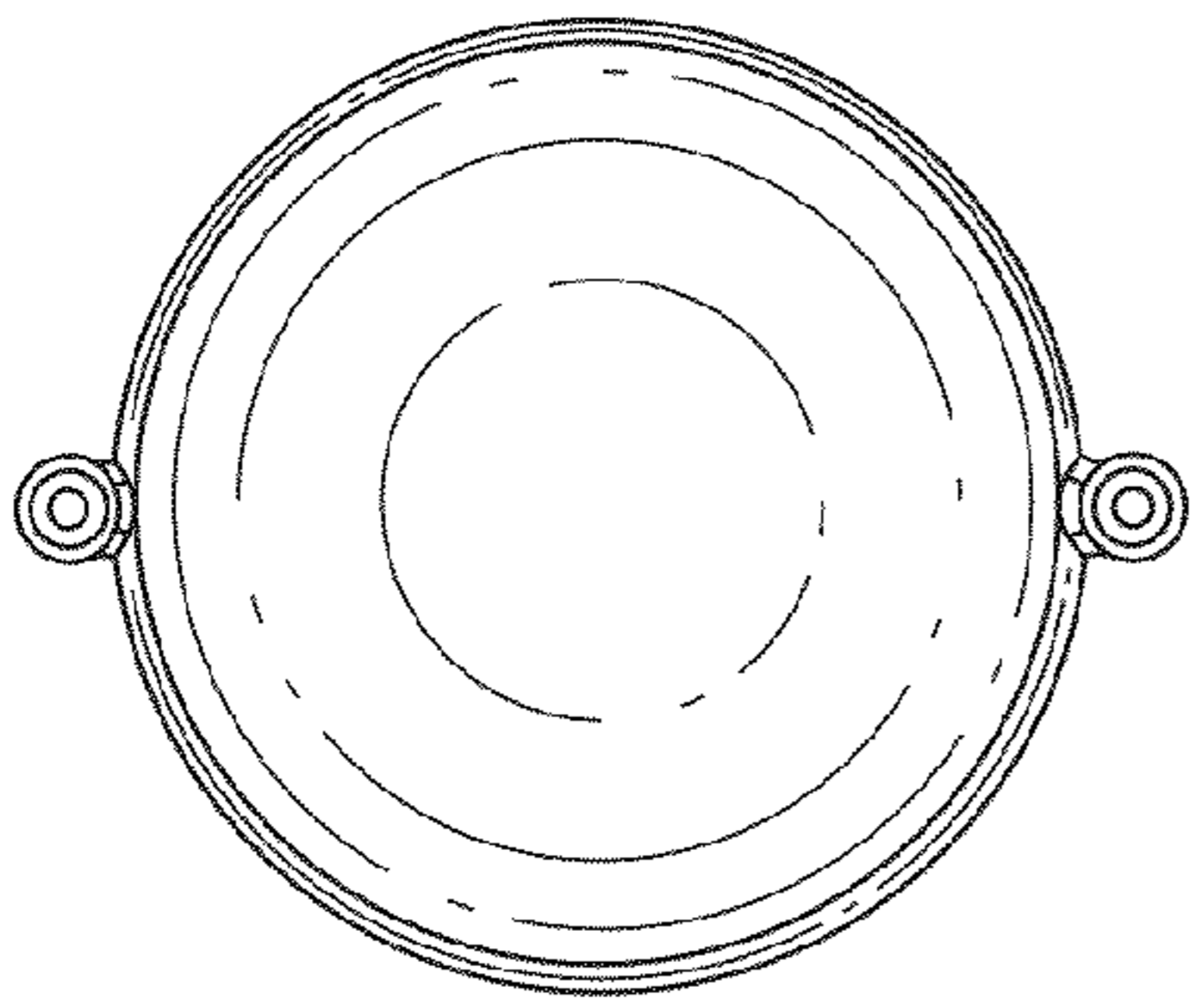


Fig. 9

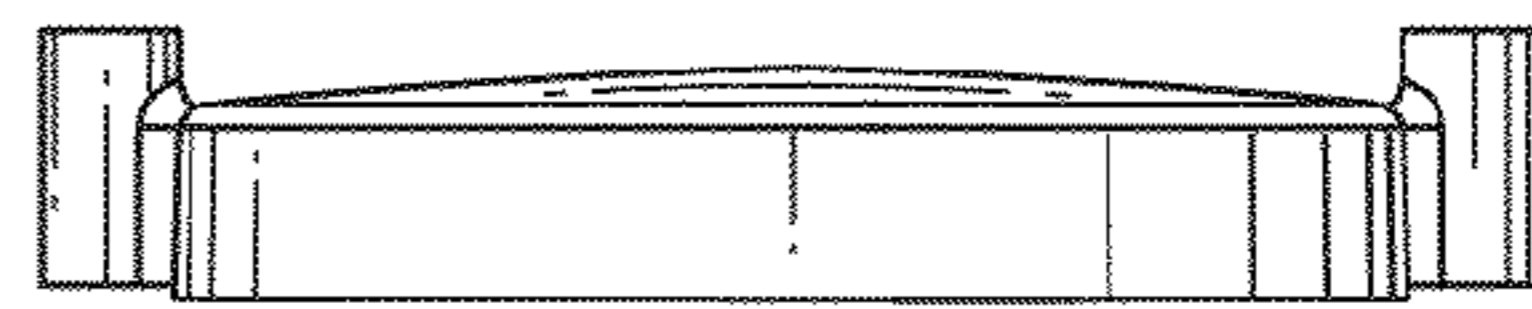


Fig. 10

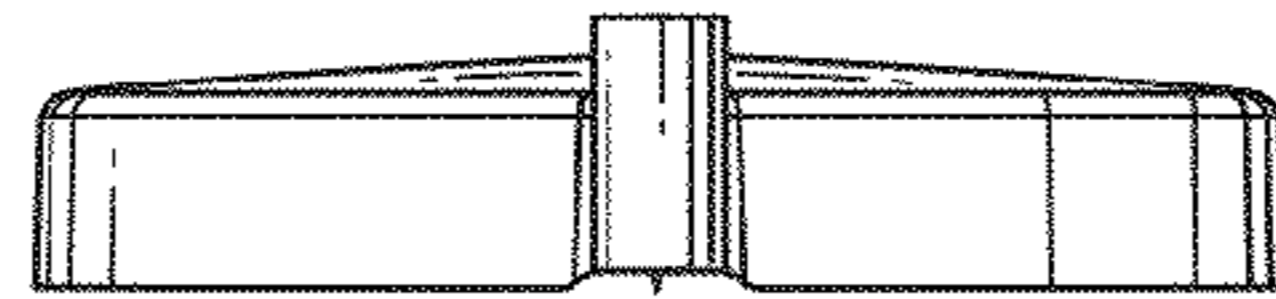


Fig. 11

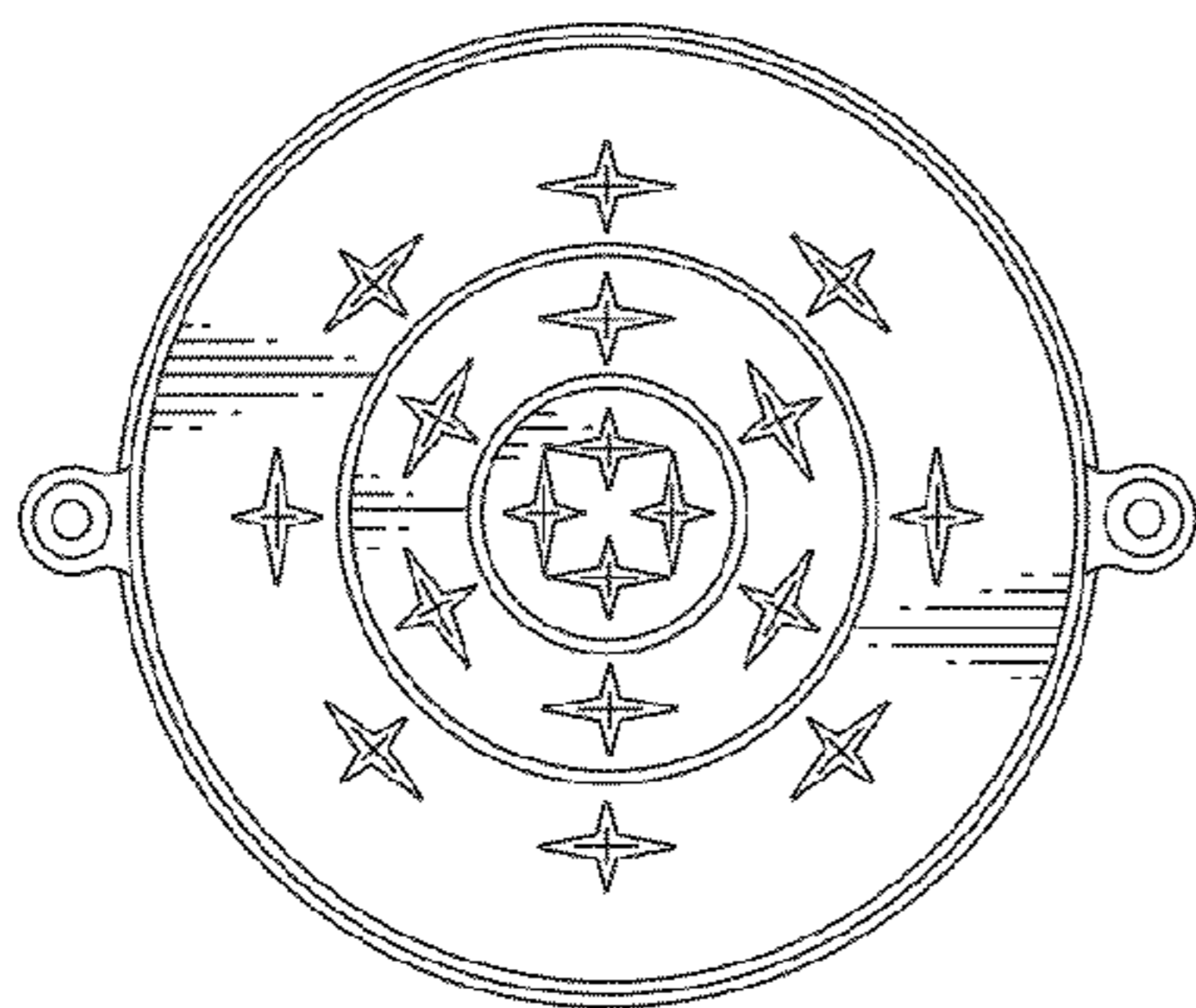


Fig. 12

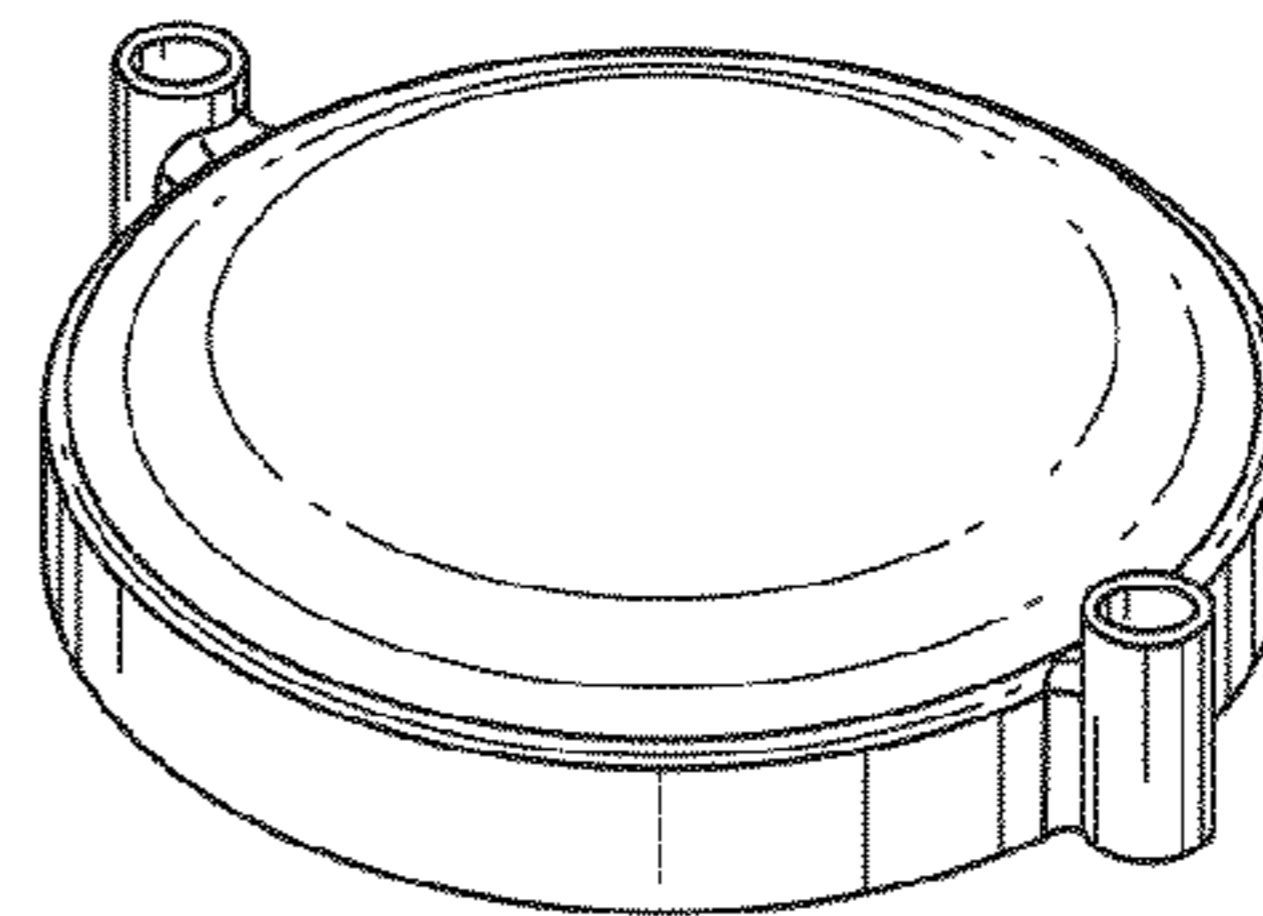


Fig. 13