

US00D739687S

(12) **United States Design Patent**  
**Szymanski**

(10) **Patent No.:** **US D739,687 S**

(45) **Date of Patent:** **\*\* Sep. 29, 2015**

(54) **FOOD PREPARATION DEVICE**

(71) Applicant: **Aaron Szymanski**, Thomaston, CT (US)

(72) Inventor: **Aaron Szymanski**, Thomaston, CT (US)

(73) Assignee: **Idea Village Products Corp.**, Wayne, NJ (US)

(\*\*) Term: **14 Years**

(21) Appl. No.: **29/463,917**

(22) Filed: **Apr. 7, 2014**

(51) **LOC (10) Cl.** ..... **07-04**

(52) **U.S. Cl.**  
USPC ..... **D7/672**

(58) **Field of Classification Search**  
USPC ..... D7/672-677, 693, 669; 30/130, 303, 30/314; 425/338  
CPC ..... A47J 25/00  
See application file for complete search history.

(56) **References Cited**

**U.S. PATENT DOCUMENTS**

3,943,602 A \* 3/1976 Siclari ..... 425/338  
D268,318 S \* 3/1983 Lutzker ..... D7/669  
4,596,073 A \* 6/1986 Ewald ..... 30/130

5,658,608 A \* 8/1997 Klefbeck ..... 426/512  
D680,824 S \* 4/2013 Patel et al. .... D7/693  
D684,020 S \* 6/2013 Patel et al. .... D7/693  
D717,615 S \* 11/2014 Silberberg et al. .... D7/693

\* cited by examiner

*Primary Examiner* — Terry Wallace

(74) *Attorney, Agent, or Firm* — Dan M. DeLaRosa

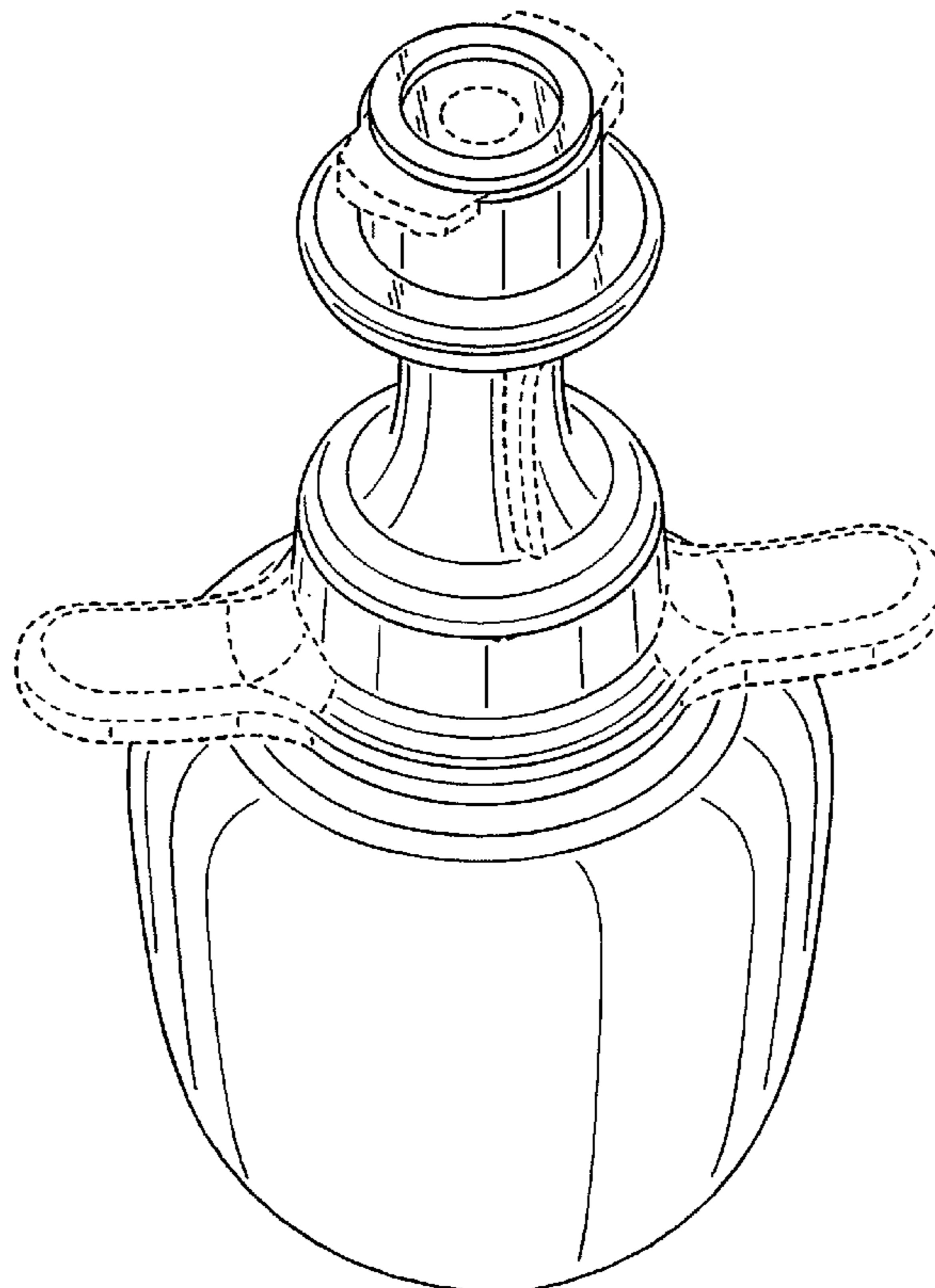
(57) **CLAIM**

The ornamental design for food preparation device, as shown and described.

**DESCRIPTION**

FIG. 1 is a front perspective view of the food preparation device of the present invention showing my new design; FIG. 2 is a front side elevational view thereof; FIG. 3 is a back side elevational view thereof; FIG. 4 is a side elevational view thereof; FIG. 5 is another side elevational view thereof; FIG. 6 is a top plan view thereof; FIG. 7 is a bottom plan view thereof; FIG. 8 is a perspective view of the device in use with attachment; and, FIG. 9 is a side elevational view of FIG. 8. The broken lines are for illustrative purposes only and form no part of the claimed design.

**1 Claim, 8 Drawing Sheets**



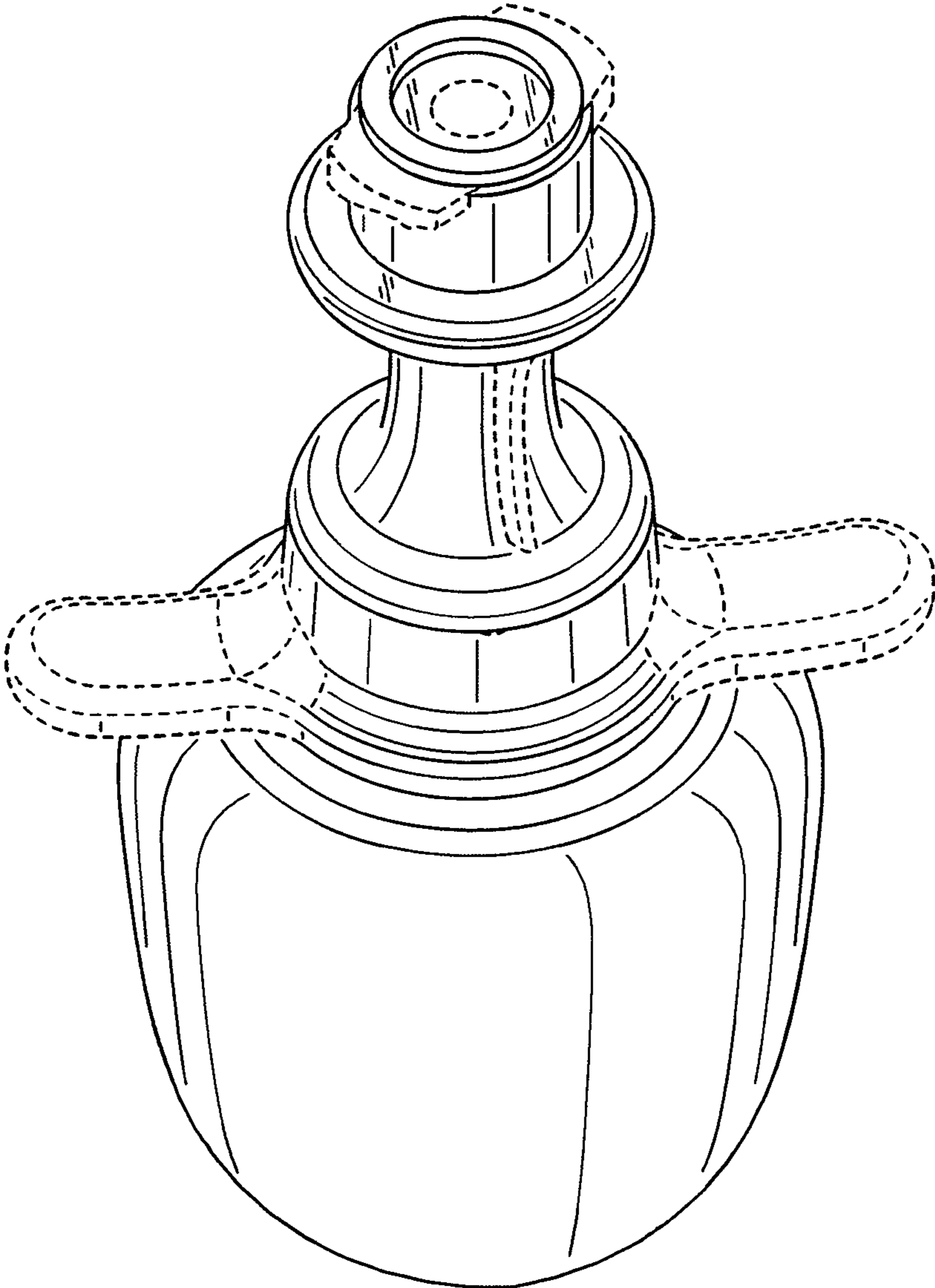


FIG. 1

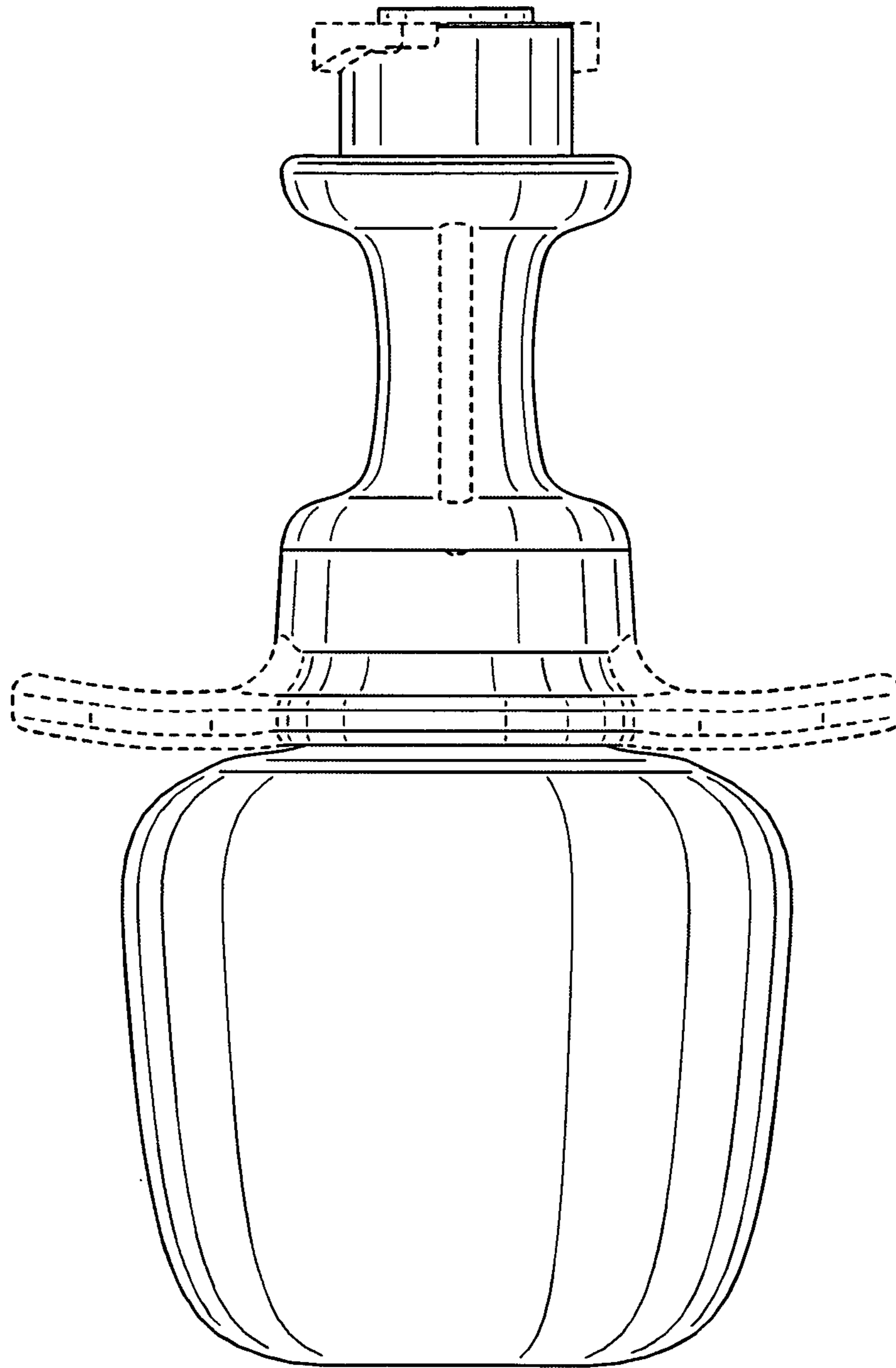


FIG. 2

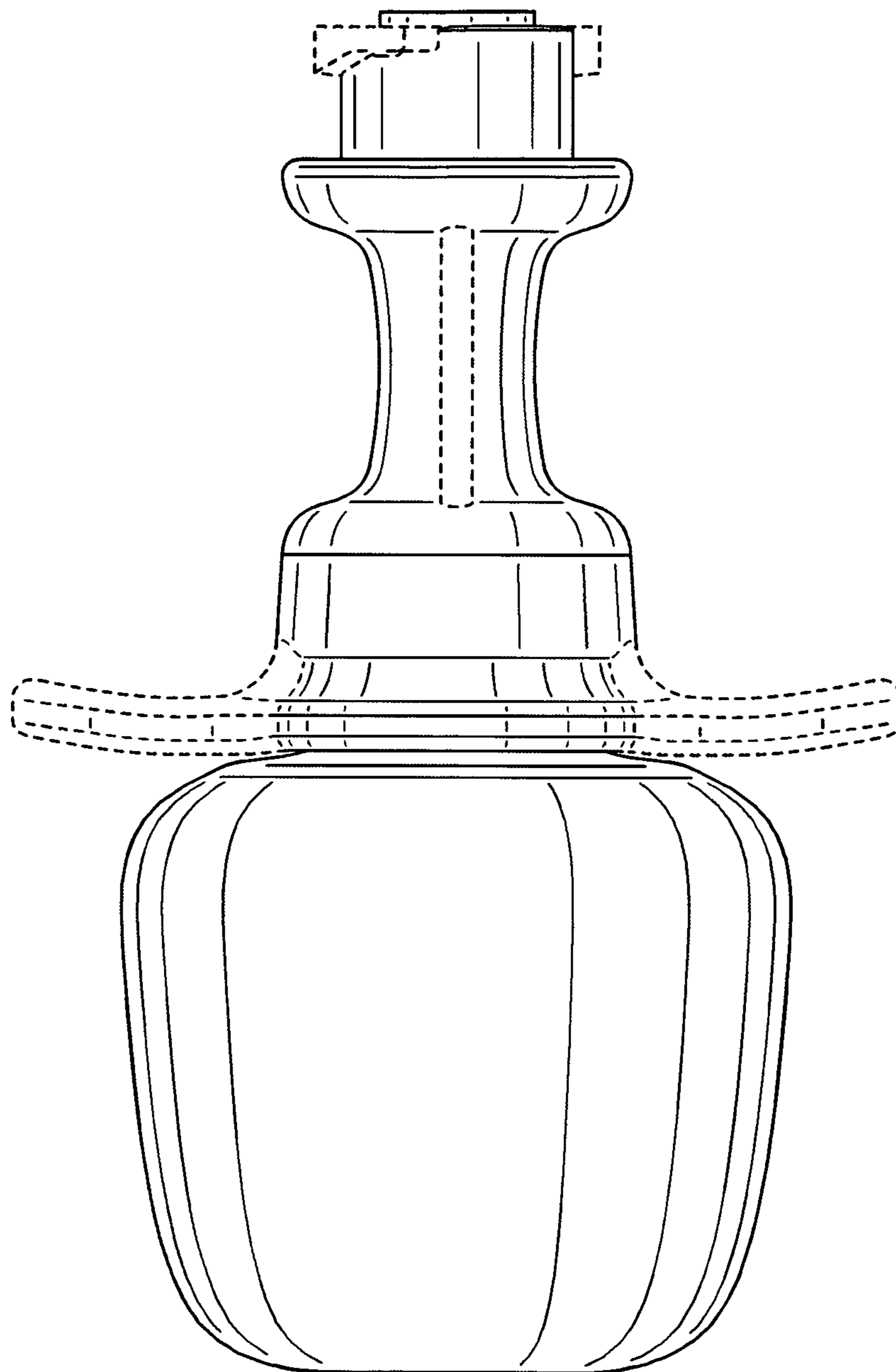


FIG. 3

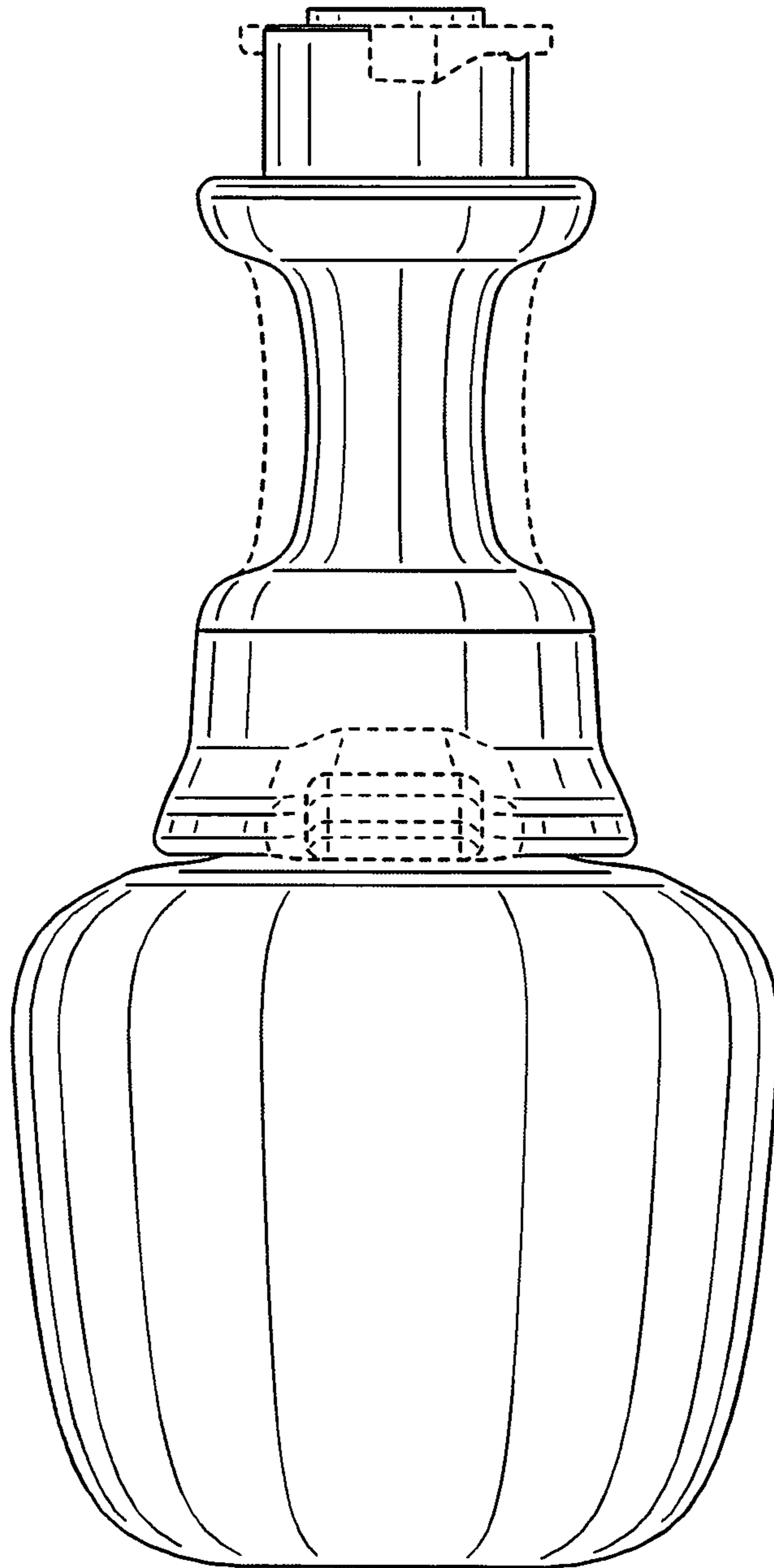


FIG. 4

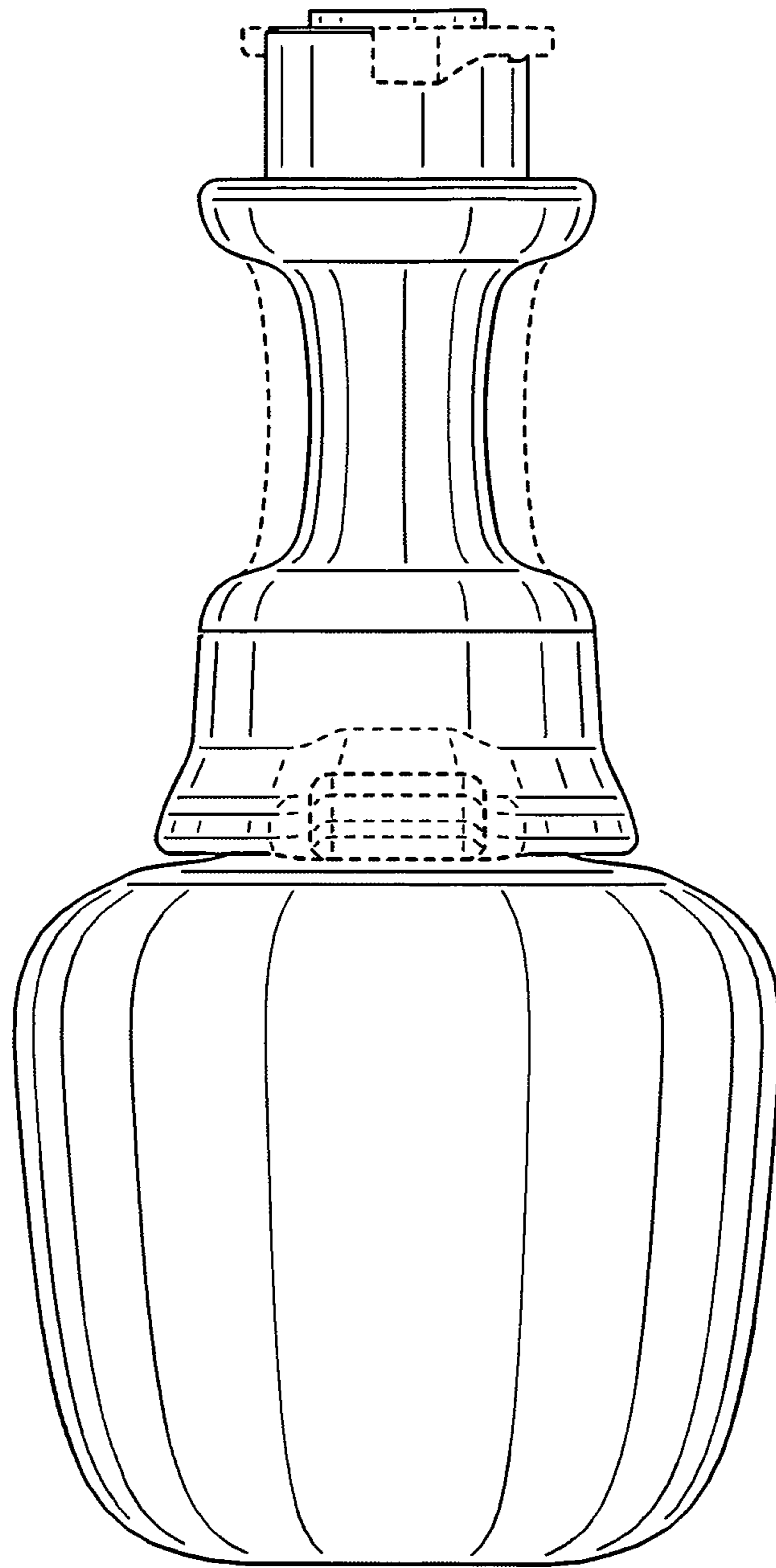


FIG. 5

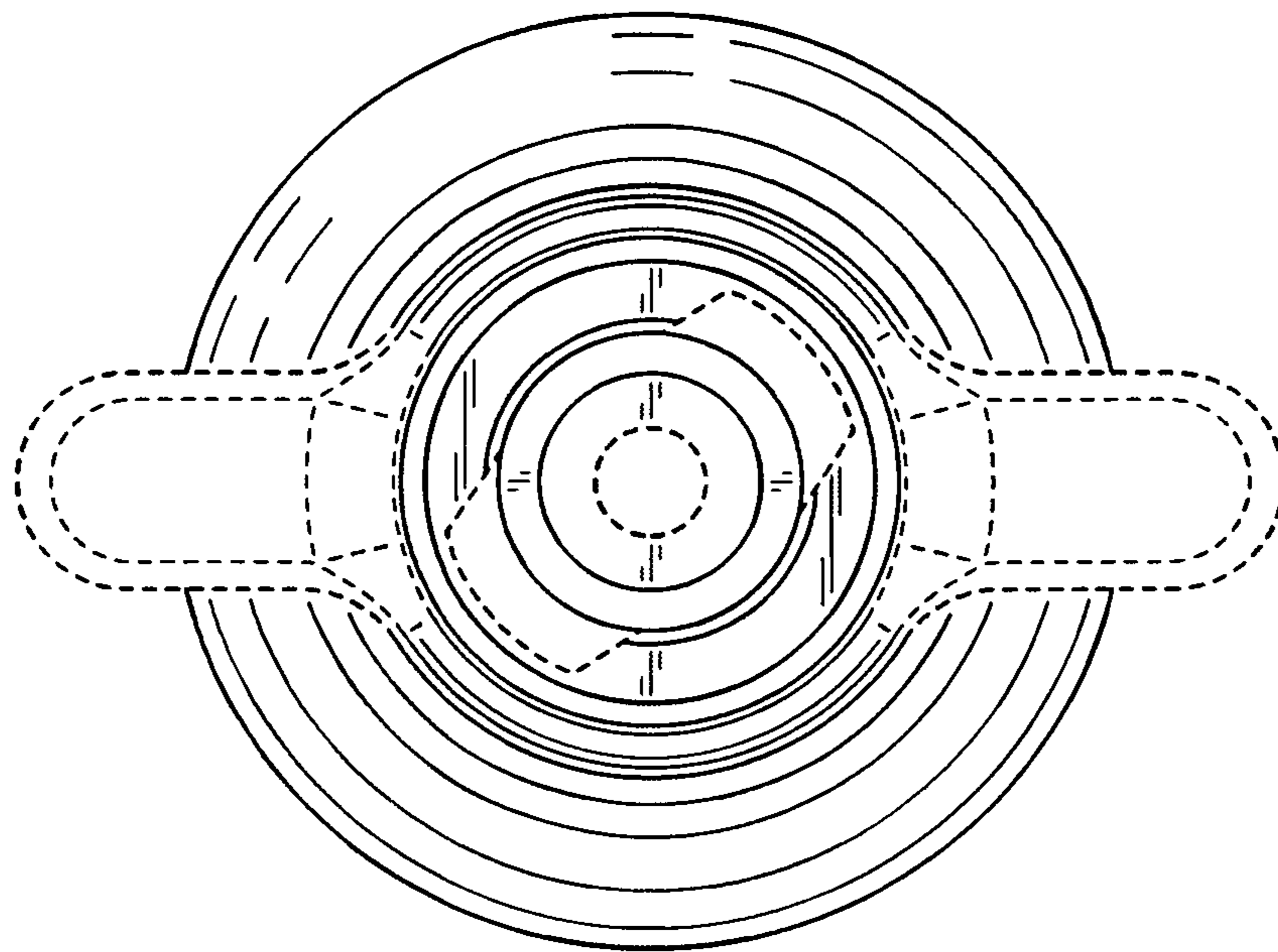


FIG. 6

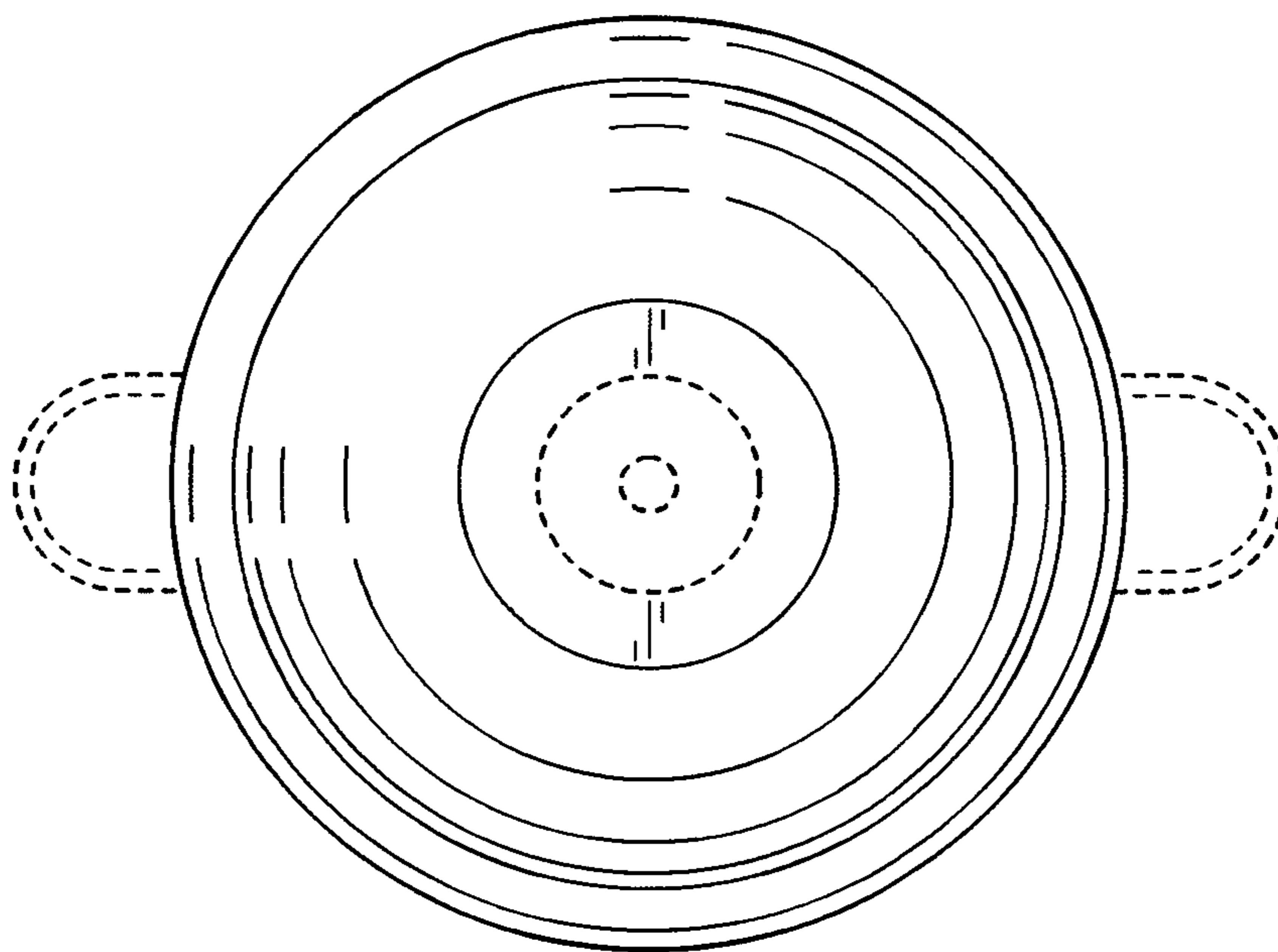


FIG. 7

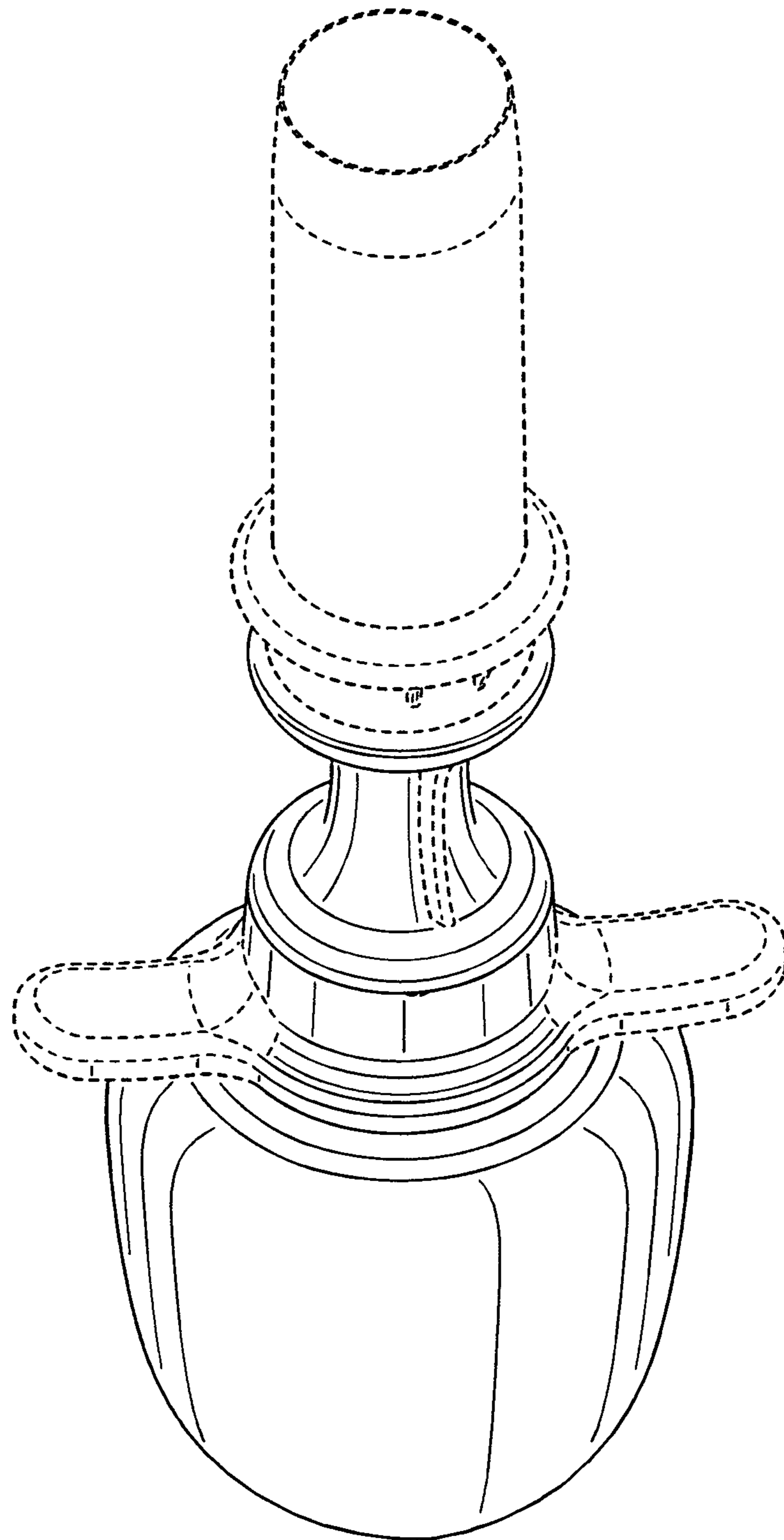


FIG. 8



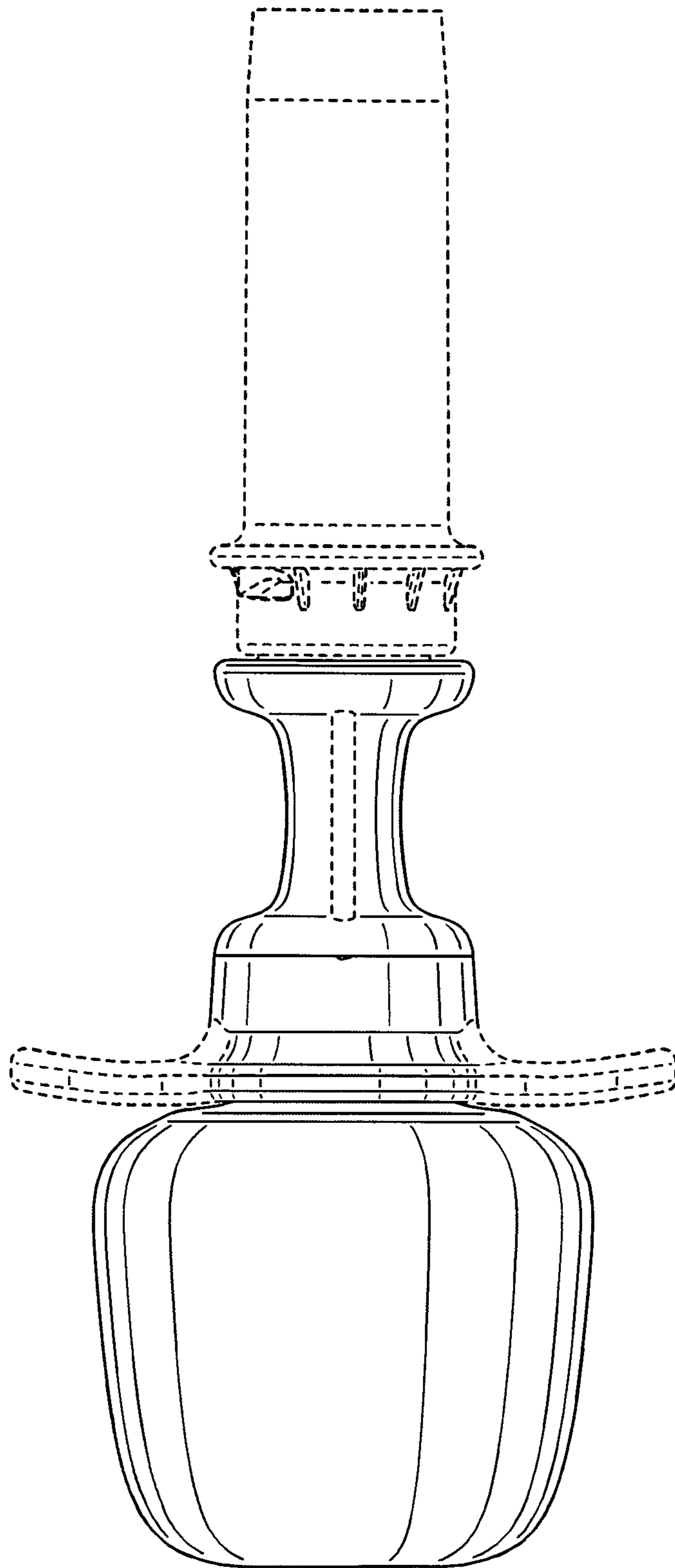


FIG. 9