



US00D739686S

(12) **United States Design Patent**
Benoit

(10) **Patent No.:** **US D739,686 S**

(45) **Date of Patent:** **** Sep. 29, 2015**

(54) **JUICER**

(71) Applicant: **Whirlpool Corporation**, Benton Harbor, MI (US)

(72) Inventor: **Kaitlyn M. Benoit**, St. Joseph, MI (US)

(73) Assignee: **Whirlpool Corporation**, Benton Harbor, MI (US)

(**) Term: **14 Years**

(21) Appl. No.: **29/484,968**

(22) Filed: **Mar. 14, 2014**

(51) **LOC (10) Cl.** **31-00**

(52) **U.S. Cl.**
USPC **D7/665**

(58) **Field of Classification Search**

USPC D7/368, 665-667, 412, 376-386, 372, D7/373, 375, 374; 241/92, 401.1-101.73, 241/285.1-285.3, 36, 37.5, 100, 282.1; 99/495, 501-513, 499, 348, 357, 349, 99/369, 370, 496-497, 279, 280, 284, 99/290; 100/125, 213, 283, 218, 288, 208; 366/98, 142, 197-211, 241-254, 366/279-292, 341-347, 64-67
CPC A47J 19/02; A47J 44/00; A47J 44/02; A47J 43/00; A47J 43/25; A47J 43/046; A47J 43/0722; A47J 31/00; A47J 31/005; A47J 31/02; A47J 31/04; A47J 19/027; A47J 19/00; A47J 19/06; A47J 19/022; A23N 1/02; A23N 1/00; A23N 1/003; A23N 1/006

See application file for complete search history.

(56) **References Cited**

U.S. PATENT DOCUMENTS

D555,434	S	*	11/2007	Cohen et al.	D7/665
8,474,375	B2	*	7/2013	Jays et al.	100/104
2003/0061944	A1	*	4/2003	Fouquet	99/511
2006/0086261	A1	*	4/2006	Cohen et al.	99/511
2010/0300307	A1	*	12/2010	Huang	99/511
2011/0154997	A1	*	6/2011	Huang	99/508

* cited by examiner

Primary Examiner — Terry Wallace

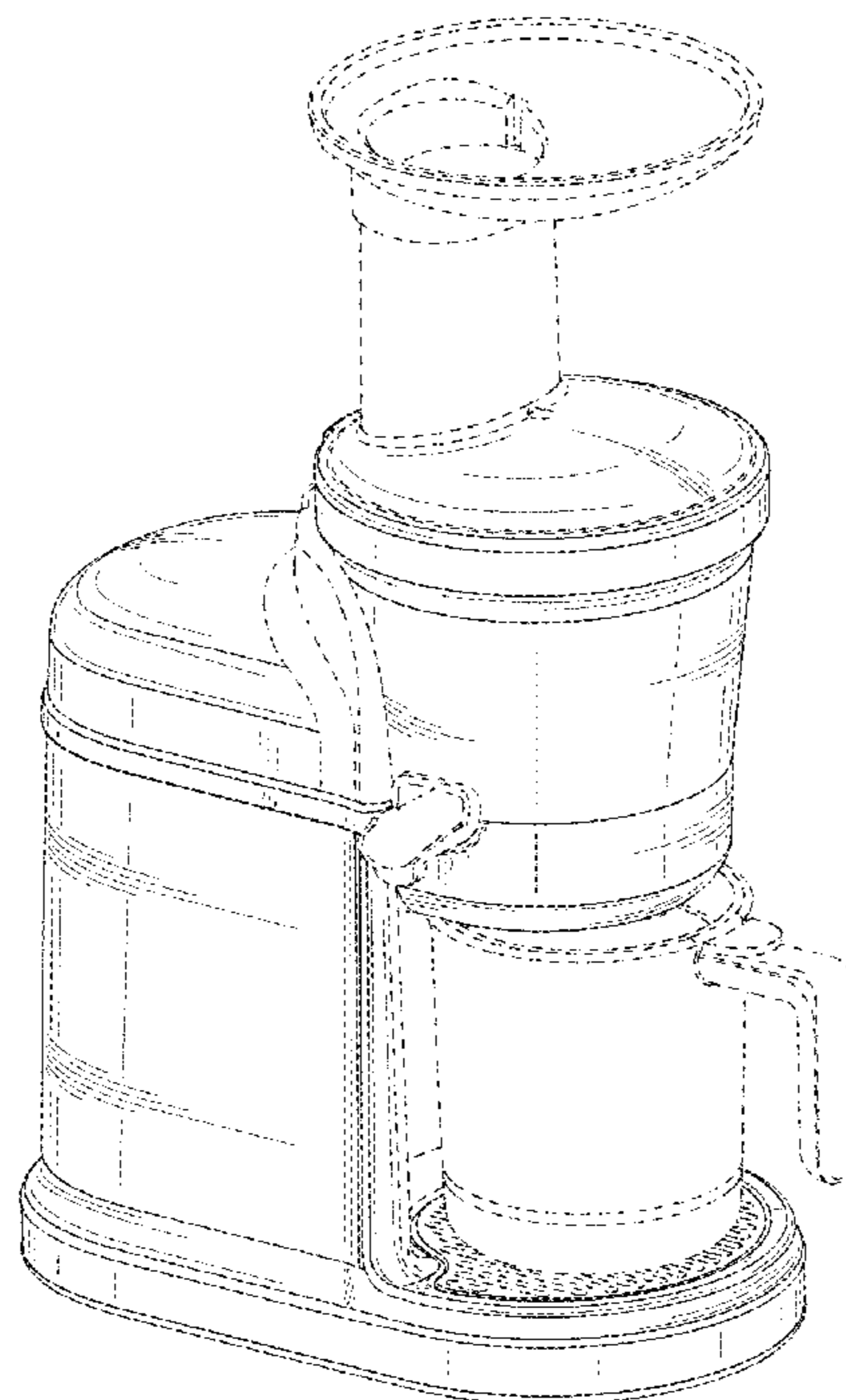
(57) **CLAIM**

I claim the ornamental design for a juicer, as shown and described.

DESCRIPTION

FIG. 1 is a front perspective view of a juicer showing my new design.
FIG. 2 is a rear perspective view of the juicer of FIG. 1;
FIG. 3 is a front elevational view of the juicer of FIG. 1;
FIG. 4 is a rear elevational view of the juicer of FIG. 1;
FIG. 5 is a first side elevational view of the juicer of FIG. 1;
FIG. 6 is a second side elevational view of the juicer of FIG. 1;
FIG. 7 is a top plan view of the juicer of FIG. 1; and,
FIG. 8 is a bottom plan view of the juicer of FIG. 1.
The broken lines are for illustrative purposes only and form no part of the claimed design.

1 Claim, 6 Drawing Sheets



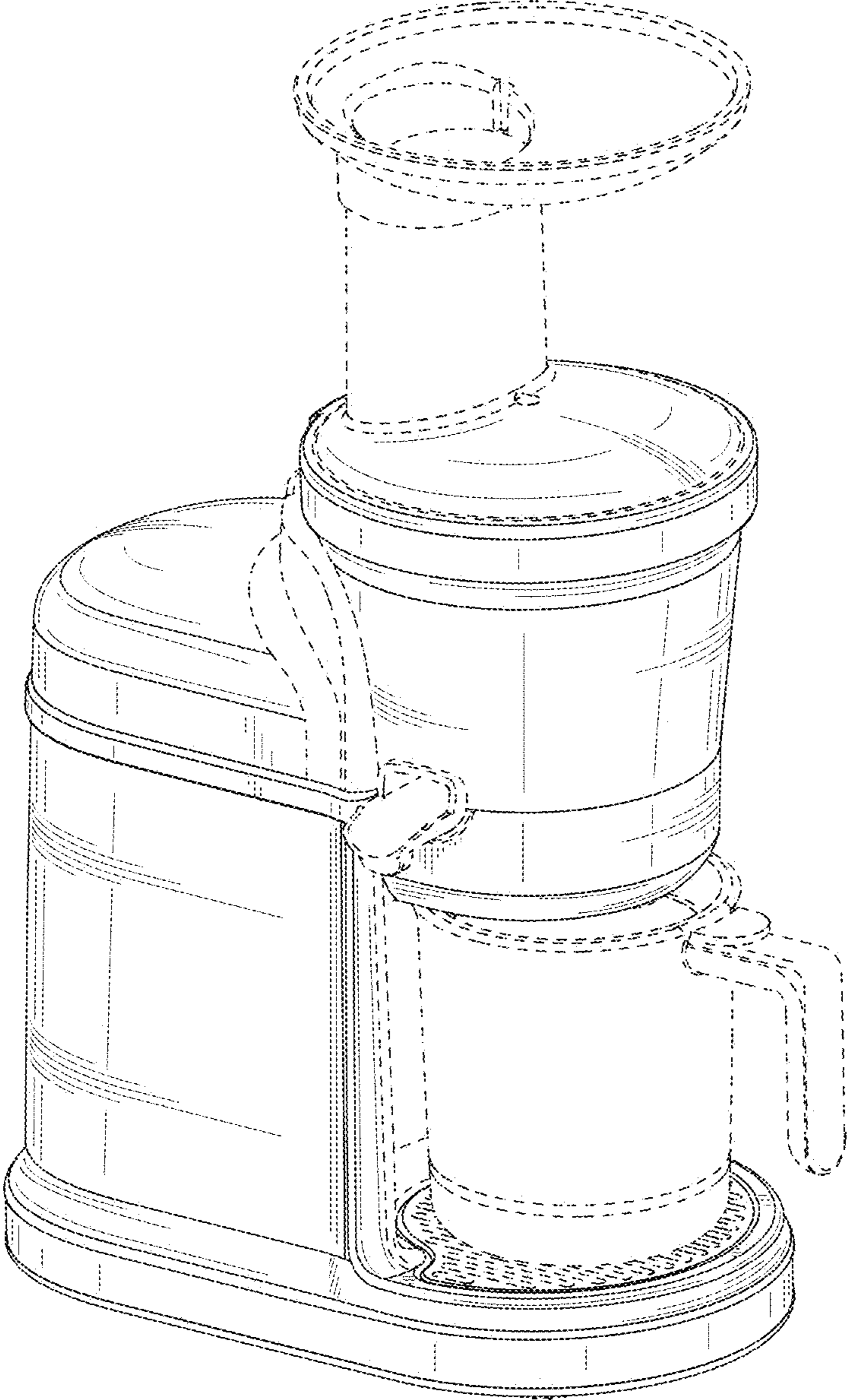


FIG. 1

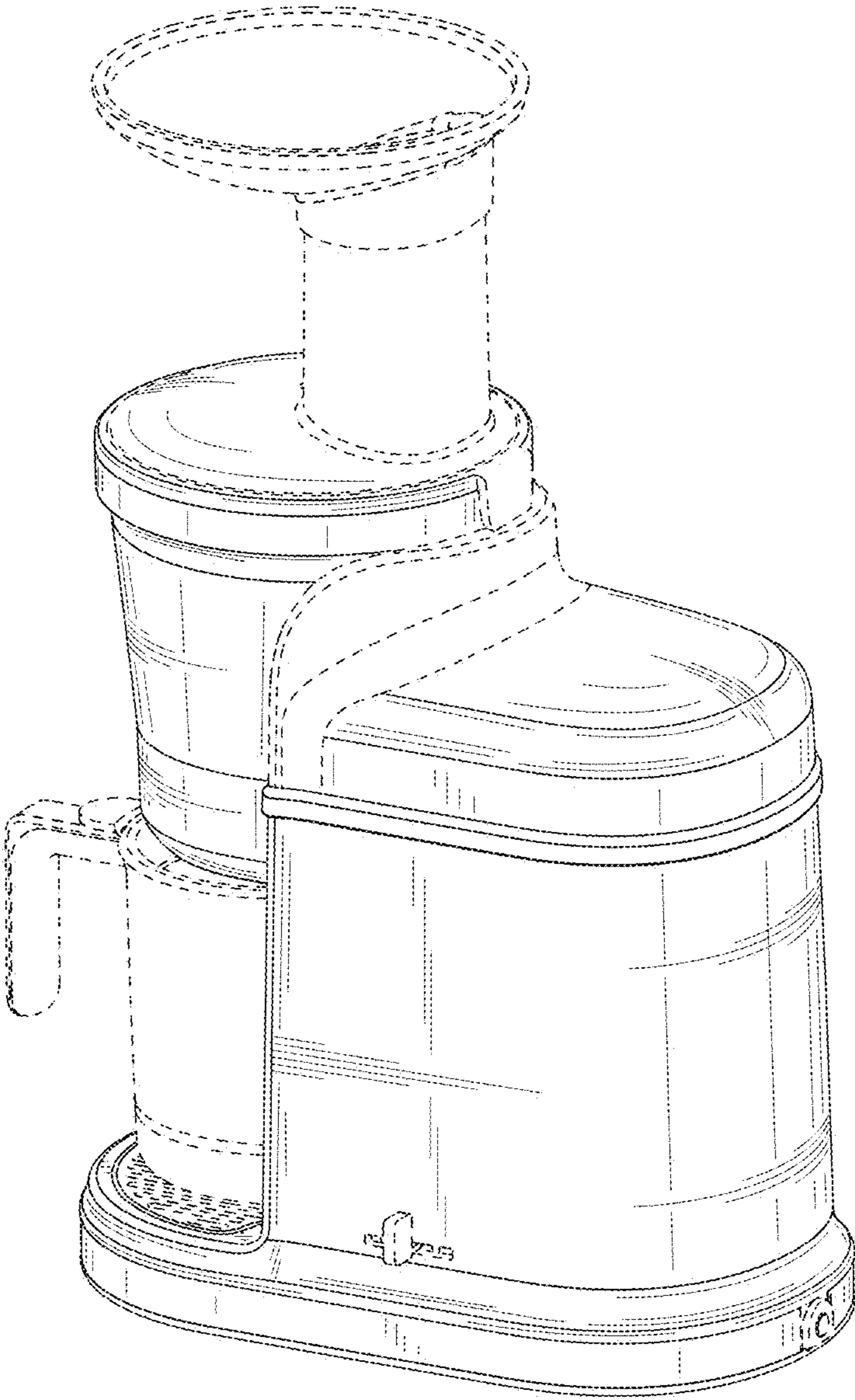


FIG. 2

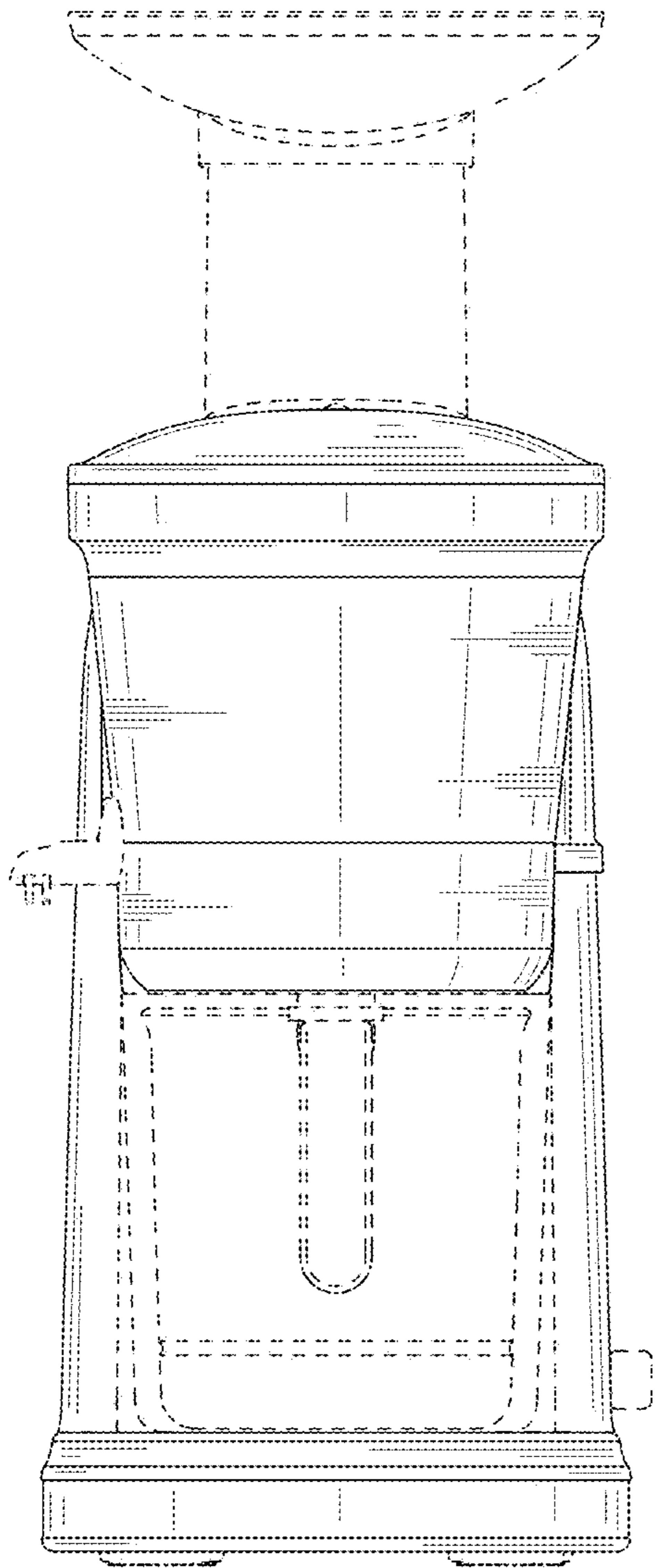


FIG. 3

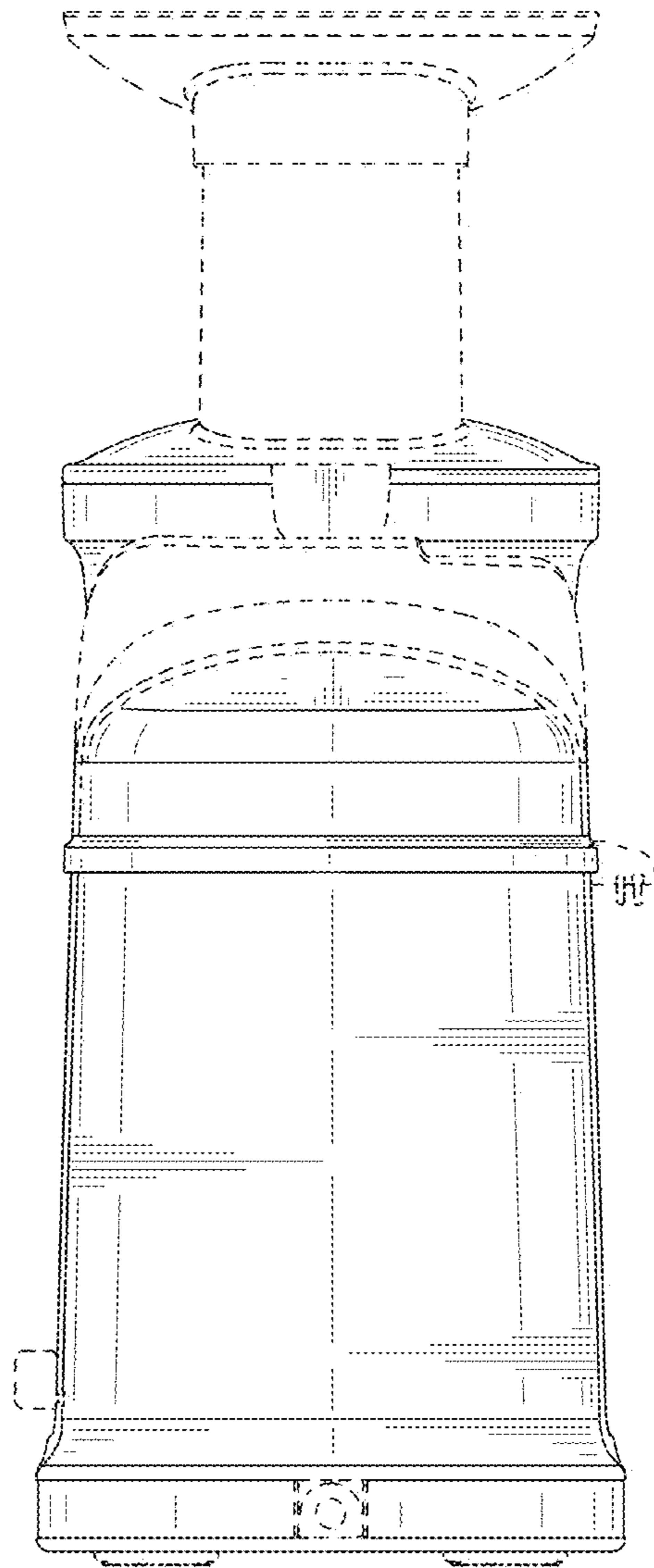


FIG. 4

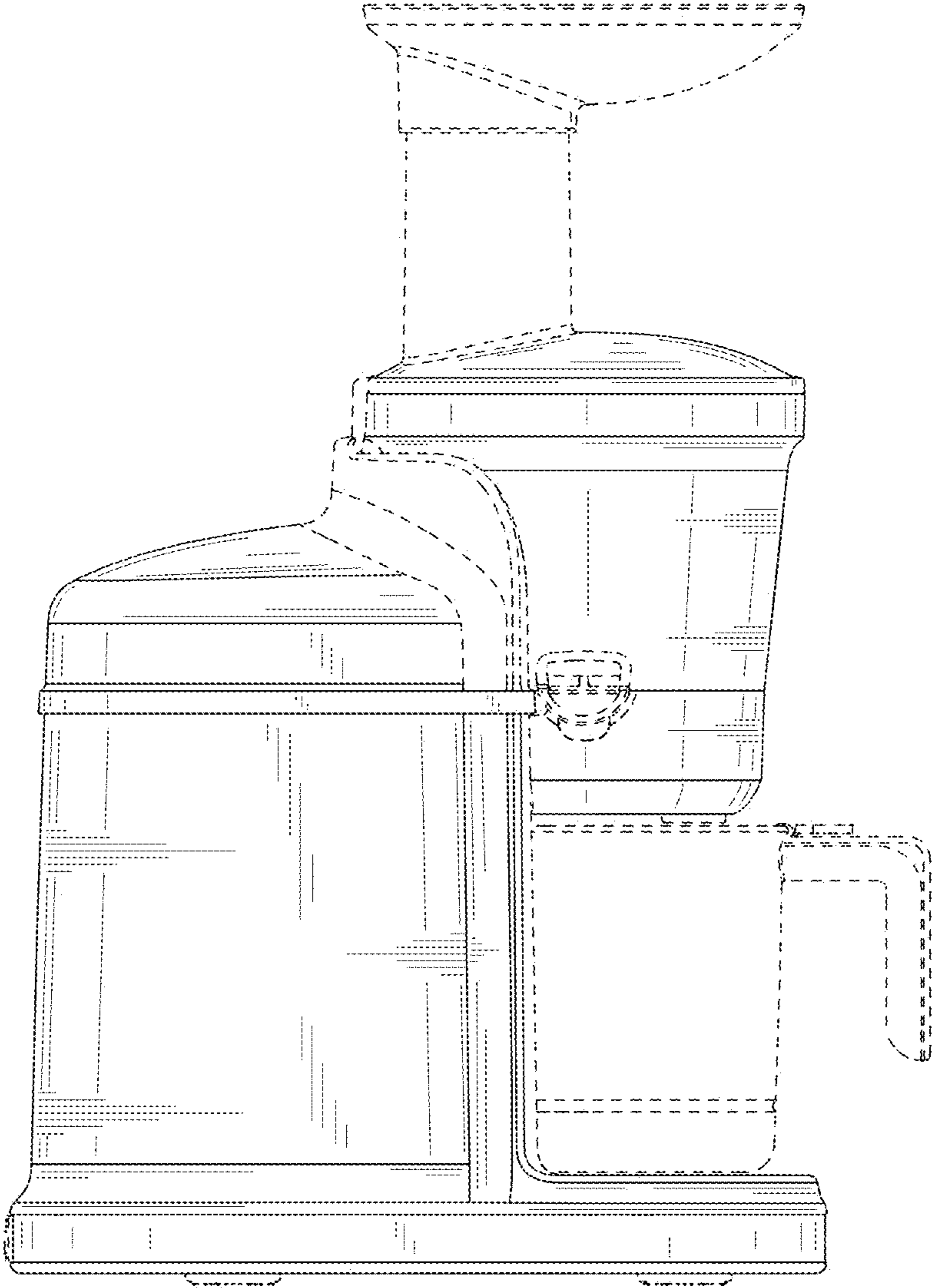


FIG. 5

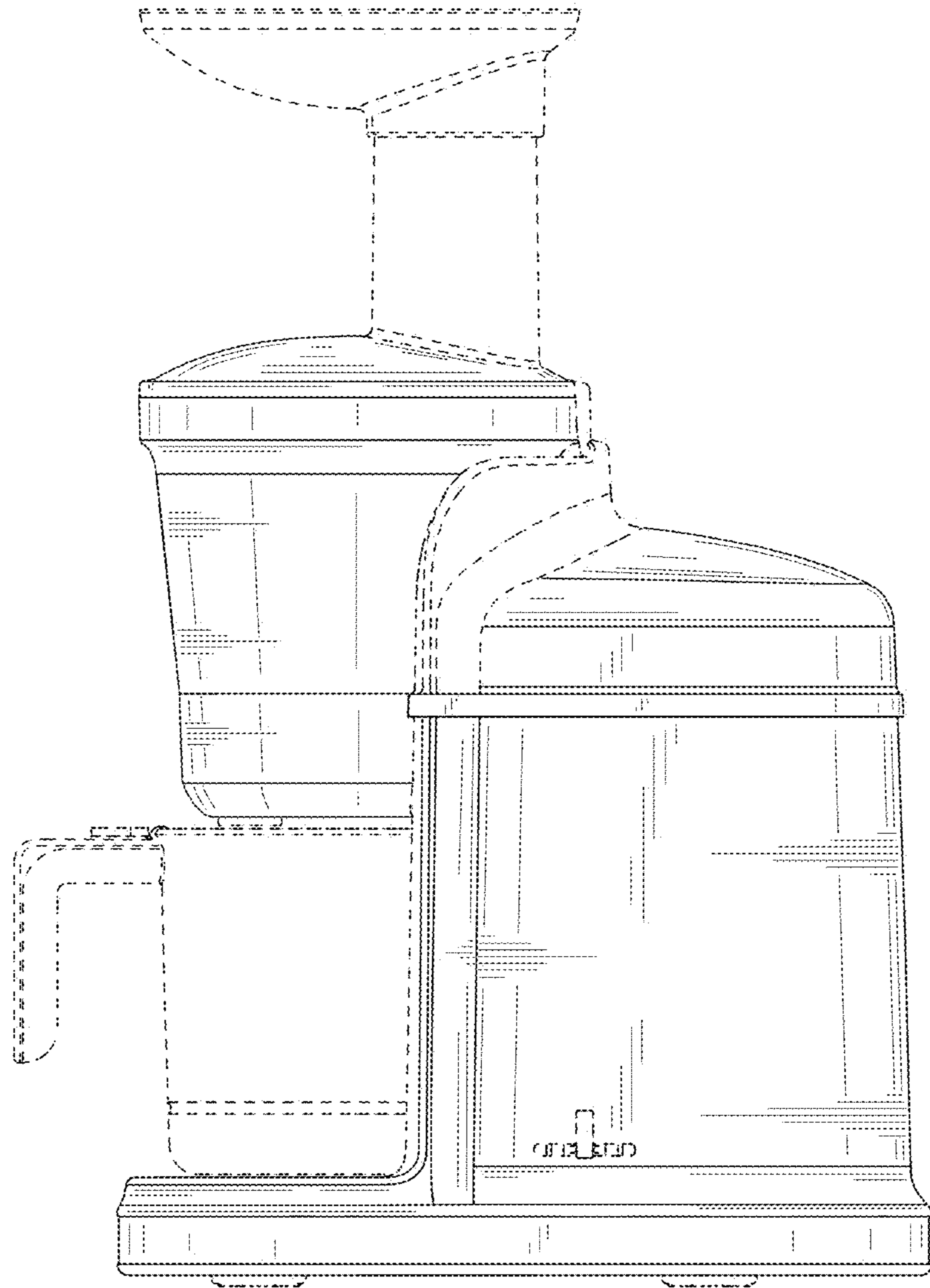


FIG. 6

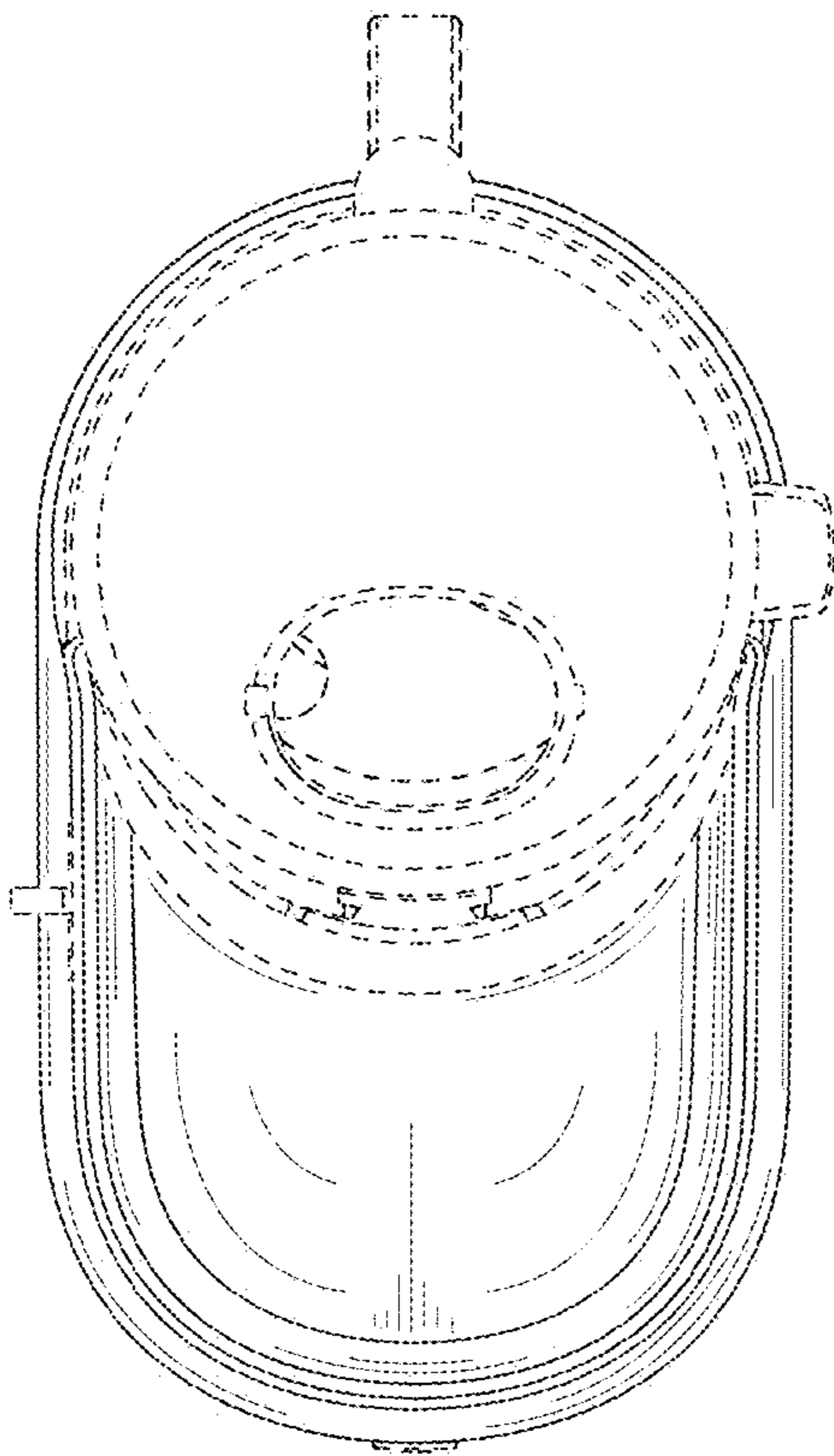


FIG. 7

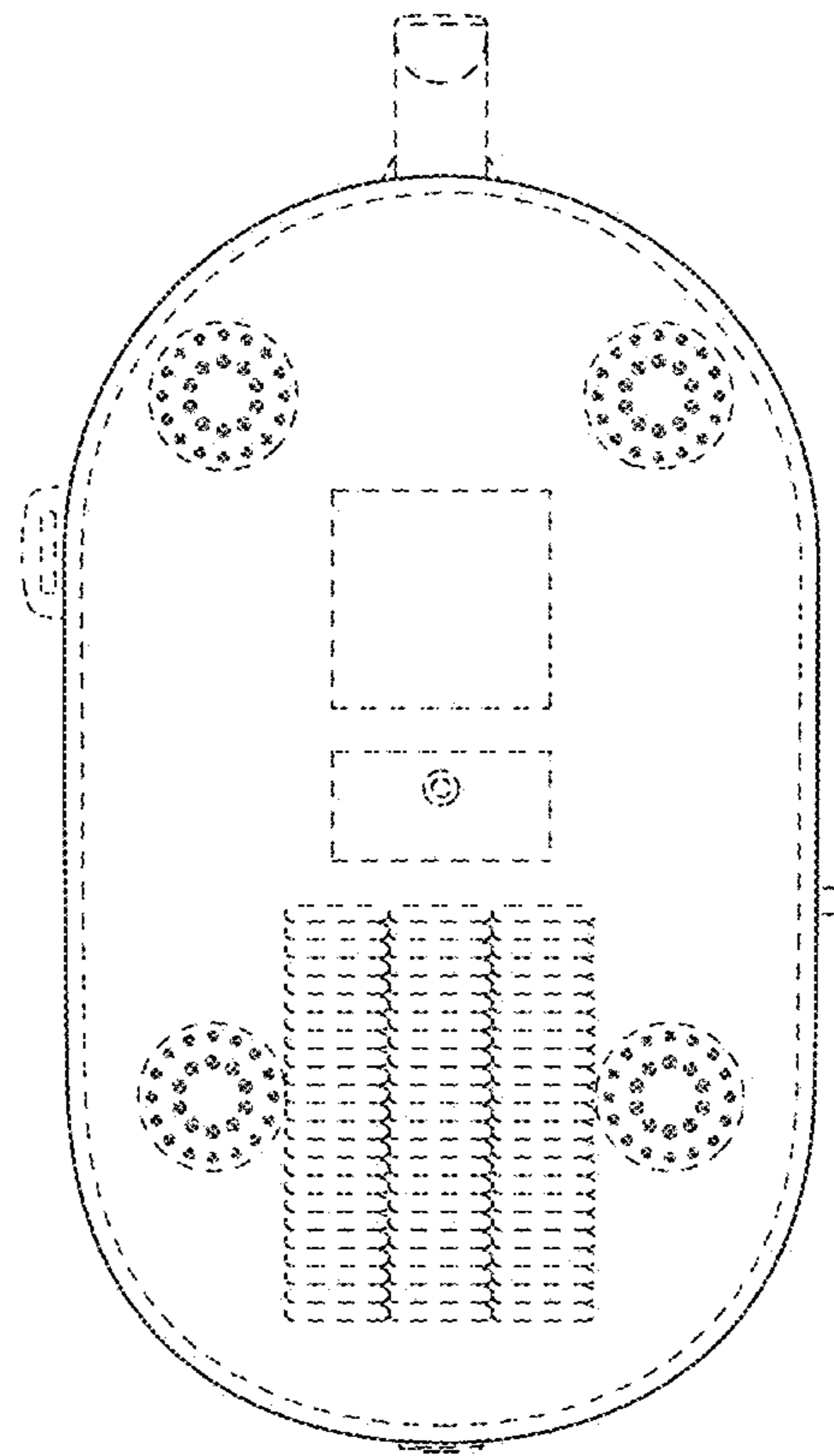


FIG. 8