



US00D739685S

(12) **United States Design Patent**
Miksovsky et al.

(10) **Patent No.:** **US D739,685 S**
(45) **Date of Patent:** **** Sep. 29, 2015**

(54) **SPOON**

(71) Applicant: **humangear, Inc.**, San Francisco, CA (US)

(72) Inventors: **Christopher A. Miksovsky**, San Francisco, CA (US); **Clint N. Slone**, San Francisco, CA (US); **Evelyne Chaubert**, San Francisco, CA (US); **Charlie Nghiem**, Oakland, CA (US)

(73) Assignee: **humangear, Inc.**, San Francisco, CA (US)

(**) Term: **14 Years**

(21) Appl. No.: **29/510,048**

(22) Filed: **Nov. 24, 2014**

Related U.S. Application Data

(62) Division of application No. 29/484,447, filed on Mar. 10, 2014, now Pat. No. Des. 722,837.

(51) **LOC (10) Cl.** **07-03**

(52) **U.S. Cl.**
USPC **D7/653**

(58) **Field of Classification Search**

USPC D7/368, 401.2, 642-645, 653-664, 669, D7/675-677, 683, 688-689, 691; D8/107, D8/300-301; D22/117-118
CPC A01D 9/02; A01D 9/04; A01D 9/06; A47G 21/00; A47G 21/004; A47G 21/005; A47G 21/02; A47G 21/023; A47G 21/04; A47G 21/06; A47G 21/08; A47J 43/28; A47J 43/281; A47J 43/282; A61F 13/10; A61J 7/0023; B25G 1/00; B25G 1/01; B25G 1/02; B25G 3/00; B65D 75/56; B65D 75/563; B65D 75/566; B67B 7/00; B67B 7/724; B67B 7/73

See application file for complete search history.

(56) **References Cited**

U.S. PATENT DOCUMENTS

398,264 A	2/1889	Kisner	
D30,129 S	2/1899	Whitcomb et al.	
849,098 A	4/1907	Aufrichtig	
854,745 A	5/1907	King	
D60,369 S	2/1922	Quandee et al.	
2,318,129 A	5/1943	Torode	
D209,704 S *	12/1967	Siune	D7/653
D249,926 S	10/1978	Wong	

(Continued)

OTHER PUBLICATIONS

Alite, Cloverware Lite, <http://shop.alitedesigns.com/cloverware-lite.html>, downloaded on Mar. 6, 2014.

(Continued)

Primary Examiner — Ricky Pham

(74) *Attorney, Agent, or Firm* — Bayer Law Group LLP

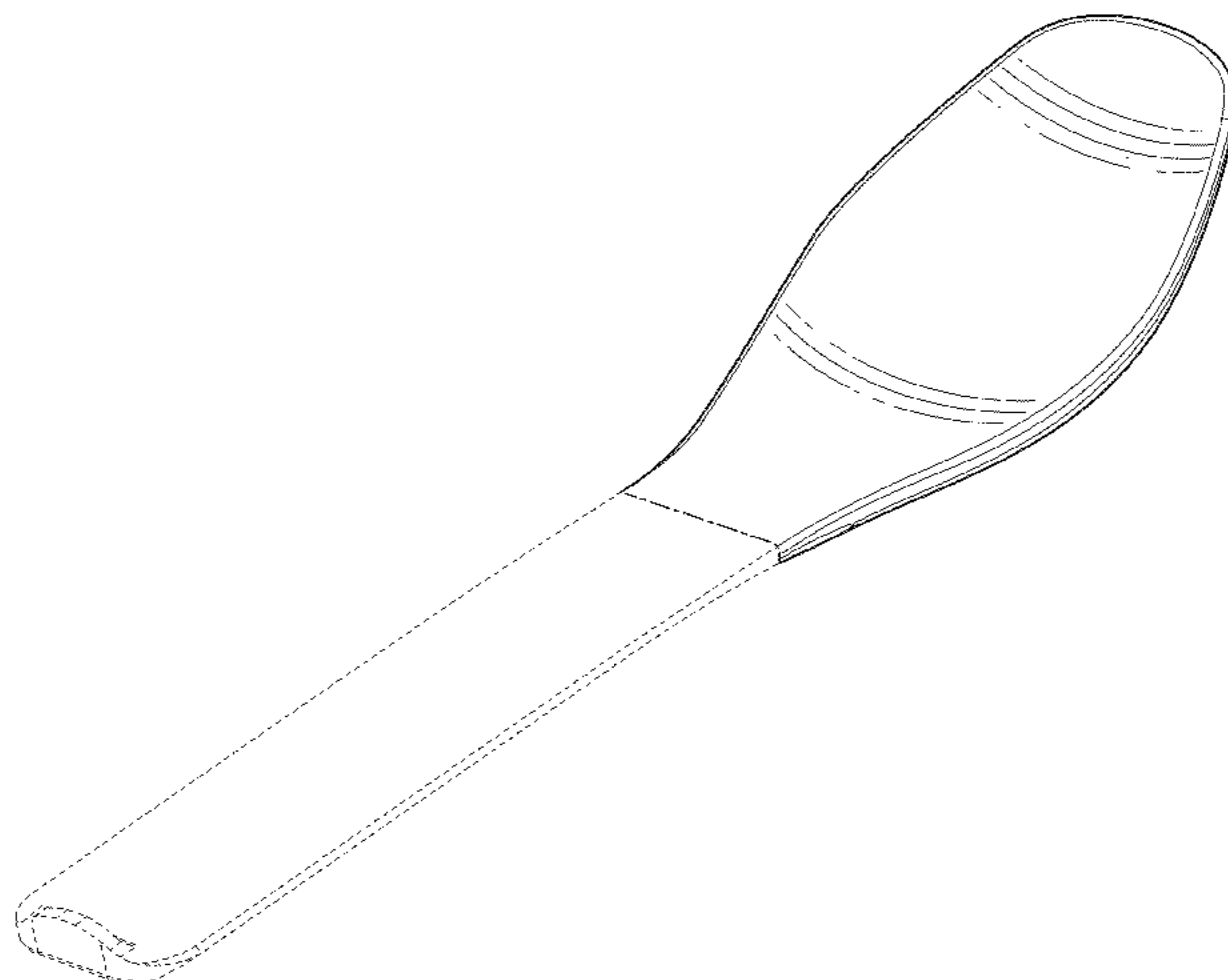
(57) **CLAIM**

We claim the ornamental design for a spoon, substantially as shown and described.

DESCRIPTION

FIG. 1 is a top perspective view of the spoon.
FIG. 2 is a bottom perspective view of the spoon.
FIG. 3 is a top plan view of the spoon.
FIG. 4 is a bottom plan view of the spoon.
FIG. 5 is a right side elevational view of the spoon.
FIG. 6 is a left side elevational view of the spoon.
FIG. 7 is an enlarged upper end elevational view of the spoon; and,
FIG. 8 is an enlarged lower end elevational view of the spoon.
The broken lines are shown for illustrative purposes only and form no part of the claimed design.

1 Claim, 8 Drawing Sheets



(56)

References Cited

U.S. PATENT DOCUMENTS

D269,060 S 5/1983 Creamer
 D325,855 S 5/1992 Rea
 D342,422 S 12/1993 Sanford
 D396,613 S * 8/1998 Cousins D7/688
 5,845,403 A 12/1998 Nivin
 D414,988 S 10/1999 Santini
 D491,419 S * 6/2004 White et al. D7/653
 7,013,568 B2 * 3/2006 Schmidt 30/147
 D530,985 S 10/2006 Evans
 D535,857 S 1/2007 Bristow
 D563,737 S * 3/2008 Shane-Schuldt D7/653
 D575,593 S 8/2008 Svartström
 D587,075 S * 2/2009 Dibnah et al. D7/688
 D608,602 S 1/2010 Davies et al.
 D612,692 S * 3/2010 Menceles D7/643
 D617,156 S * 6/2010 Griffith D7/688
 D618,070 S * 6/2010 Jalet et al. D7/691

D633,344 S 3/2011 Nordwall
 D676,286 S * 2/2013 Lion et al. D7/653
 D706,586 S * 6/2014 Kestenbaum D7/688
 D718,093 S * 11/2014 Miksovsky et al. D7/644
 D722,837 S * 2/2015 Miksovsky et al. D7/643
 2014/0026425 A1 1/2014 Kim

OTHER PUBLICATIONS

Alite, Cloverware 2.0, <http://shop.alitedesigns.com/cloverware-538.html>, downloaded on Mar. 6, 2014.
 Guyot, Microbites™, <https://www.guyotdesigns.com/product-microbites/>, downloaded on Mar. 6, 2014.
 Guyot, Utensils, <https://www.guyotdesigns.com/utensils/>, downloaded on Mar. 6, 2014.
 Notice of Allowance dated Oct. 22, 2014 from Design U.S. Appl. No. 29/484,447.
 Design U.S. Appl. No. 29/484,447, filed Mar. 10, 2014.
 Design U.S. Appl. No. 29/510,006, filed Nov. 24, 2014.

* cited by examiner

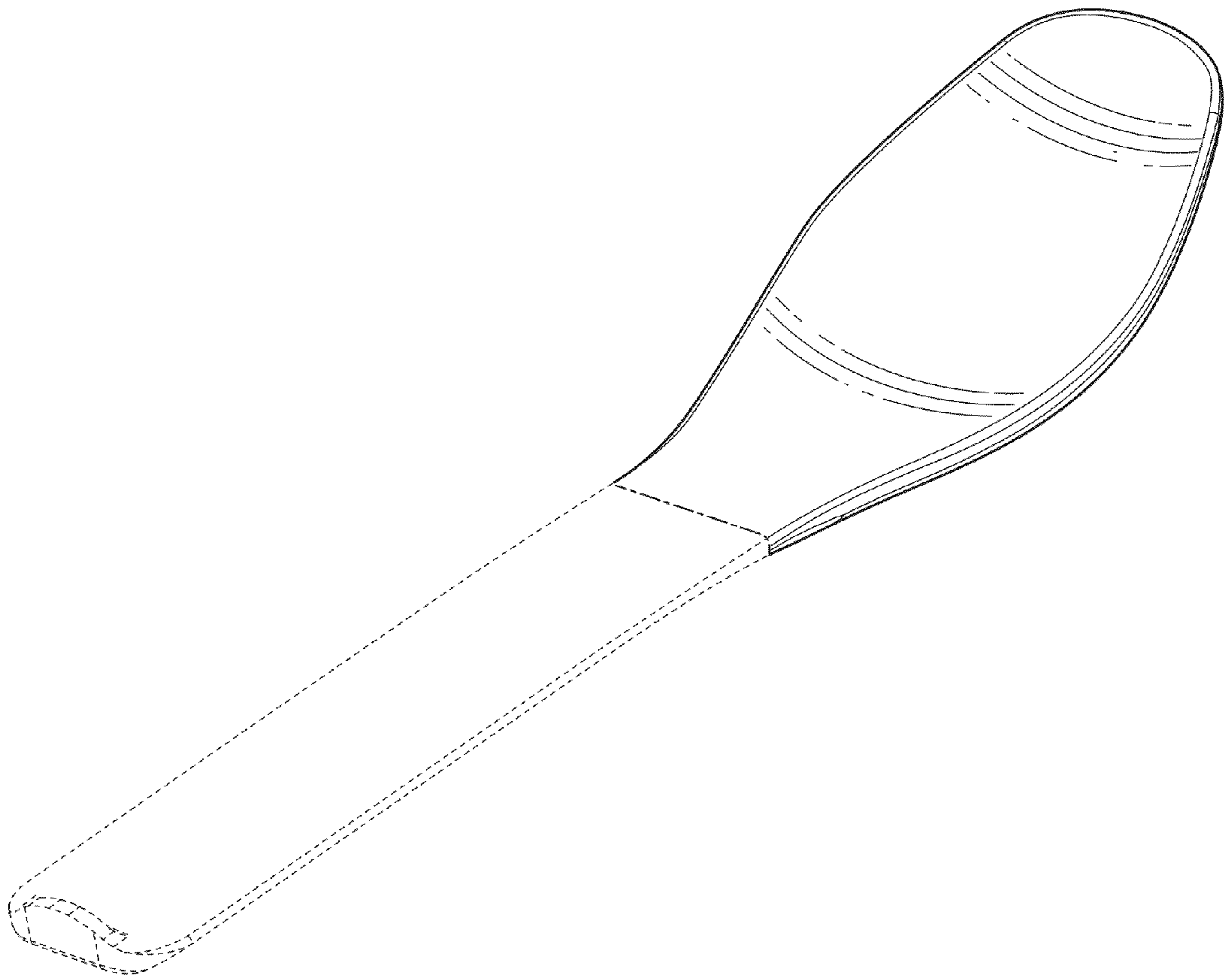


FIG. 1

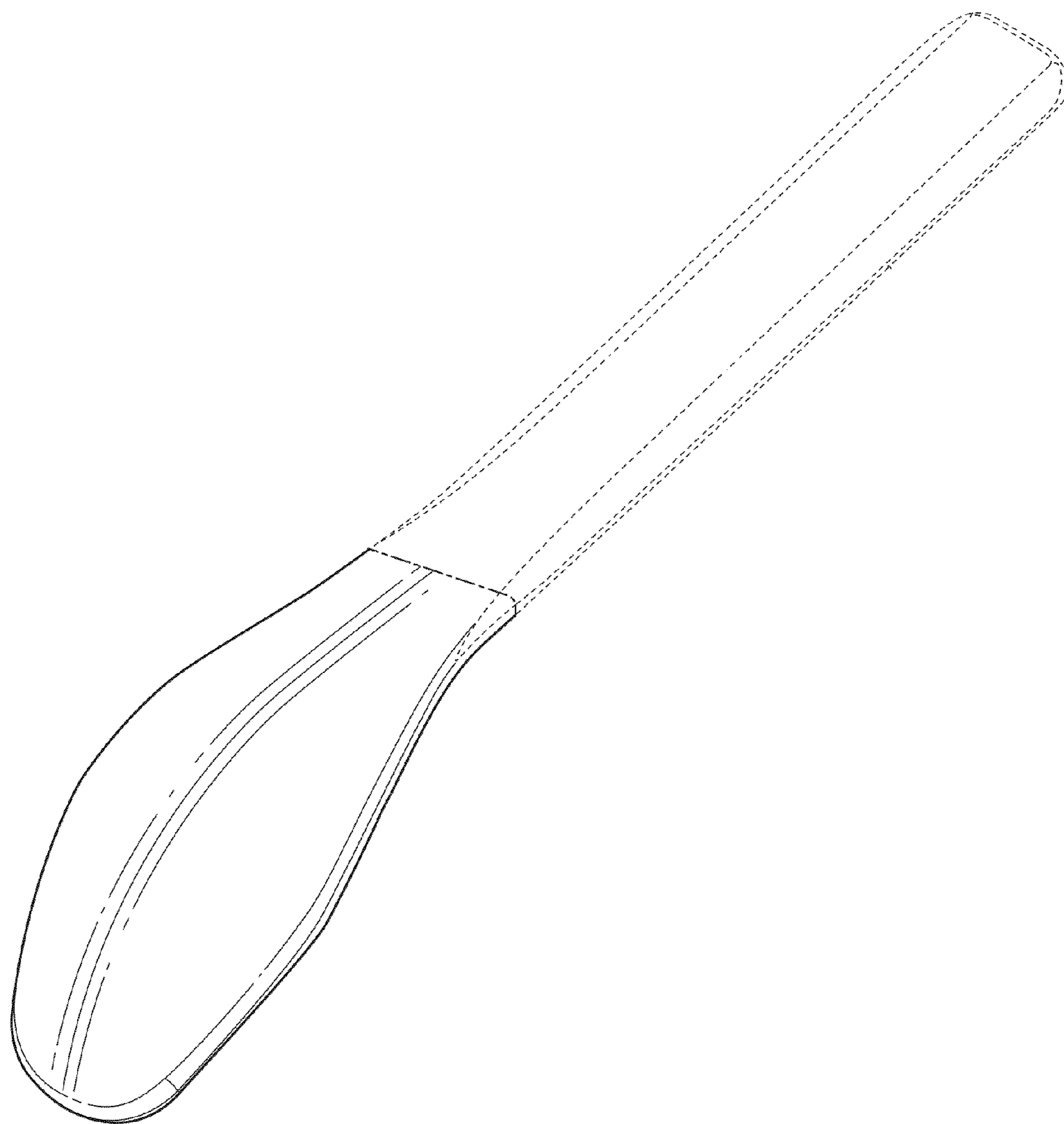


FIG. 2

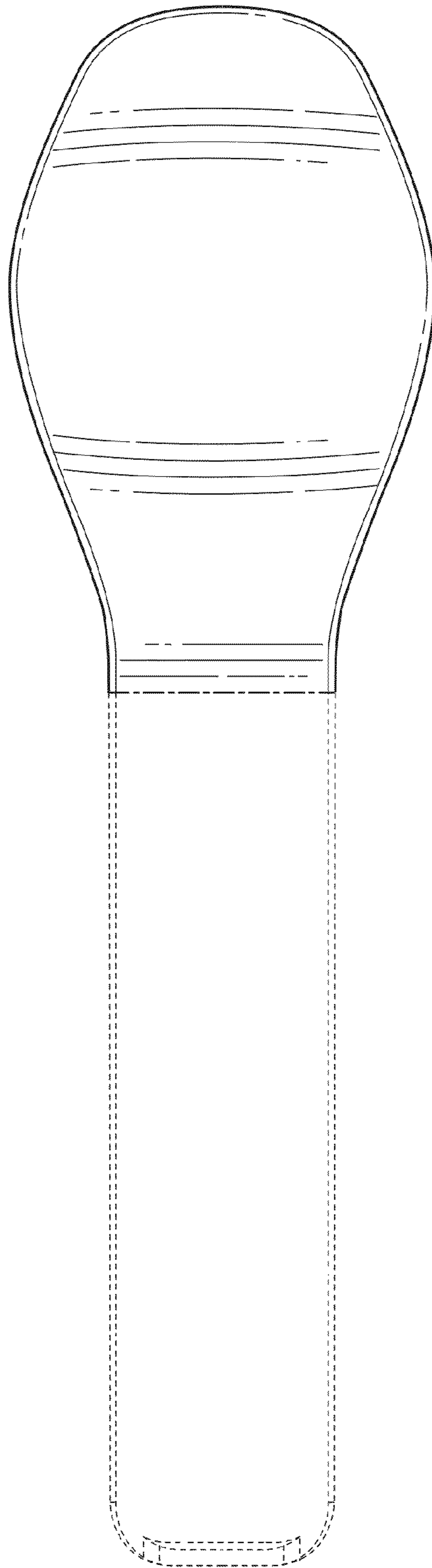


FIG. 3

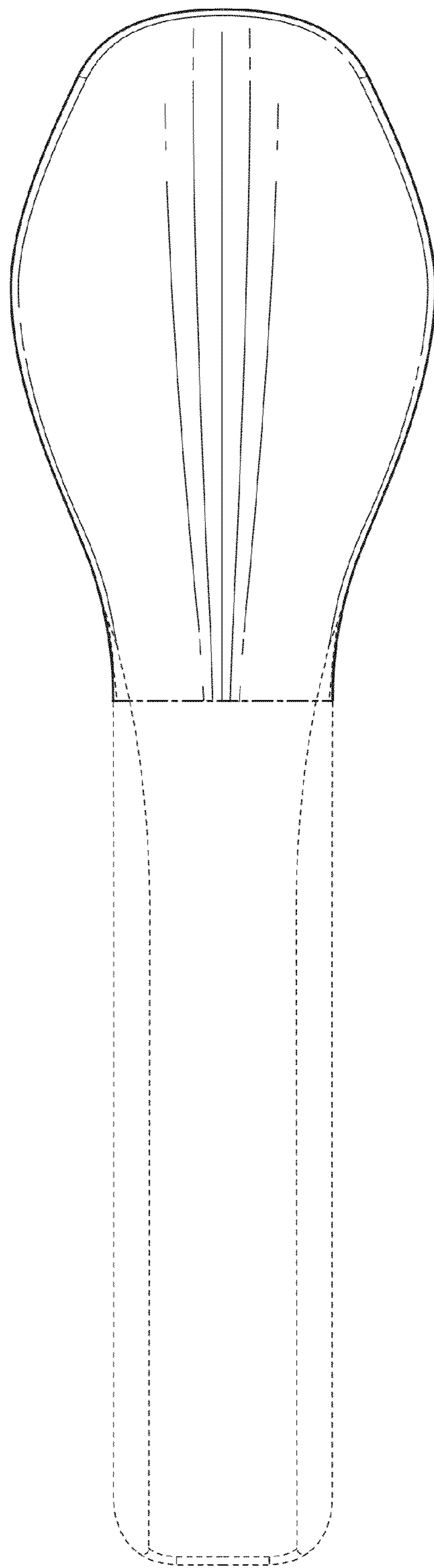


FIG. 4

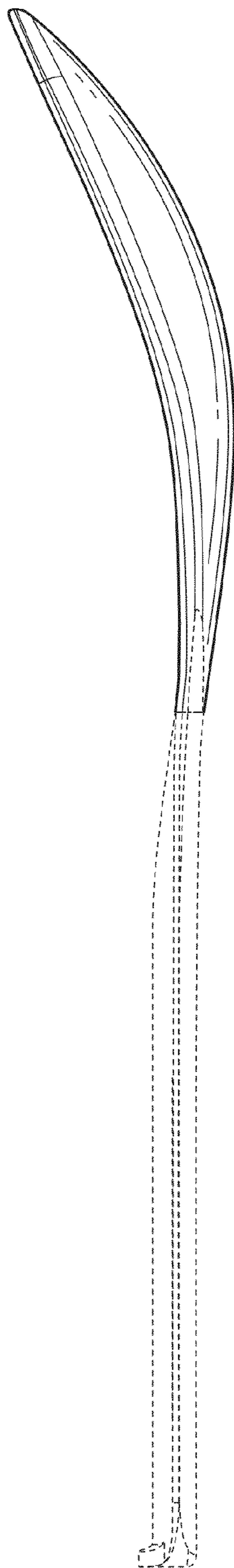


FIG. 5

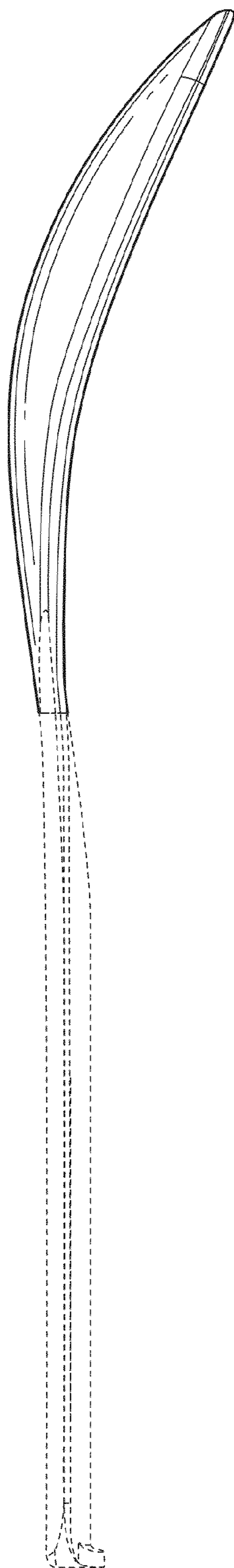


FIG. 6

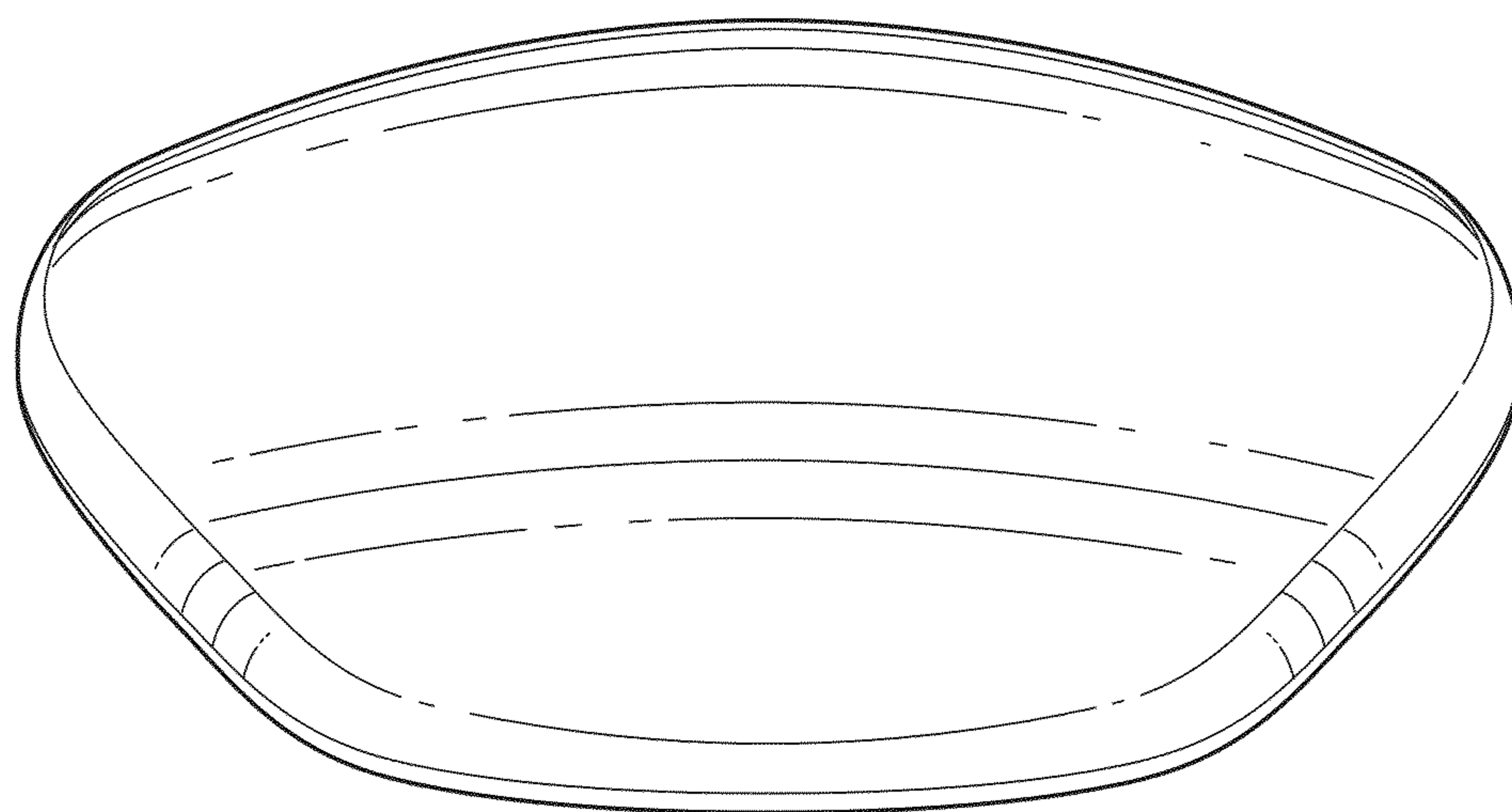


FIG. 7

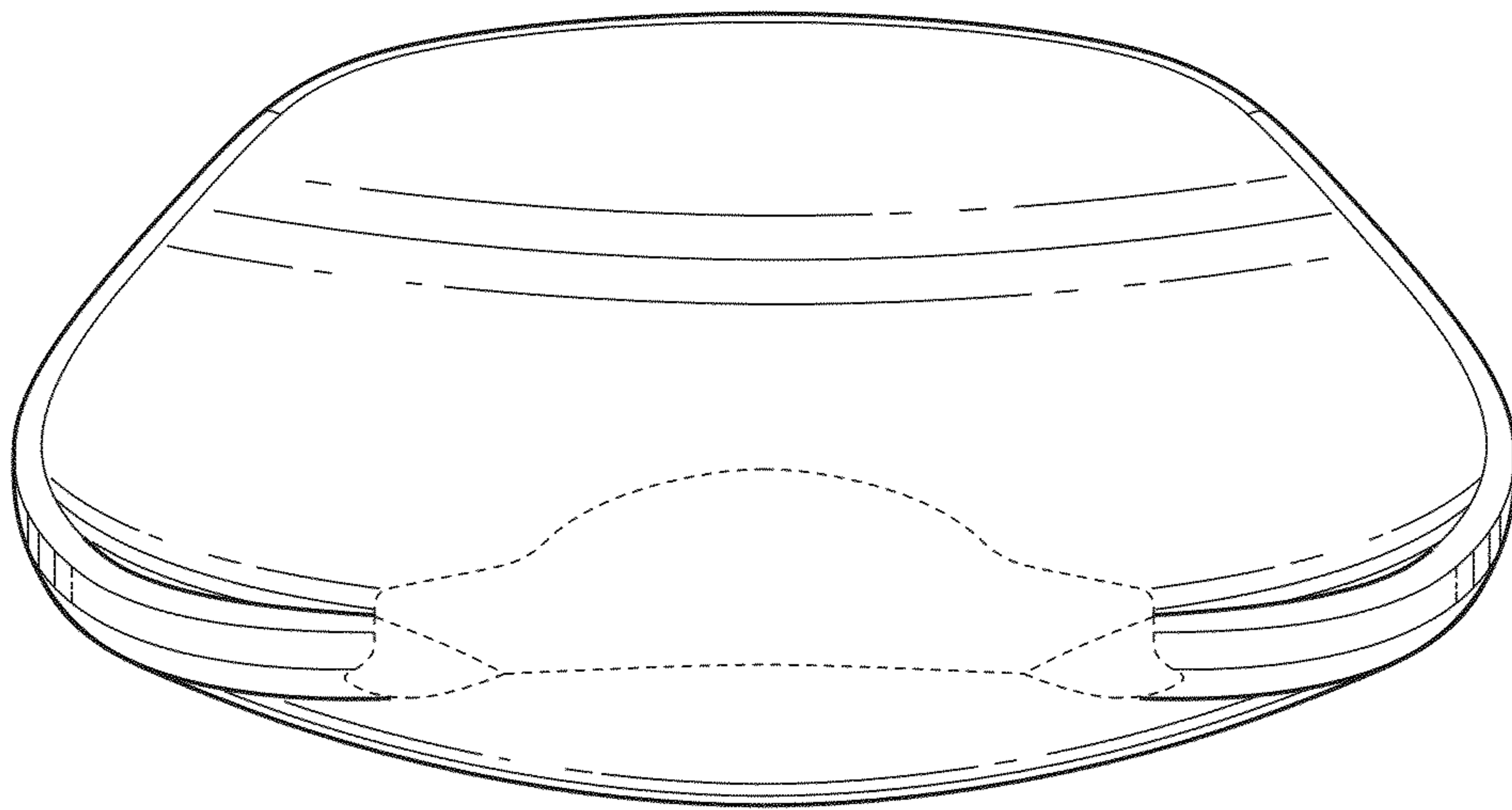


FIG. 8