



US00D739683S

(12) **United States Design Patent**  
**Krohn**

(10) **Patent No.:** **US D739,683 S**

(45) **Date of Patent:** **\*\* Sep. 29, 2015**

(54) **PORTABLE BEVERAGE HOLDER**

(71) Applicant: **Cynthia C. Krohn**, Williamsburg, VA  
(US)

(72) Inventor: **Cynthia C. Krohn**, Williamsburg, VA  
(US)

(\*\*) Term: **14 Years**

(21) Appl. No.: **29/501,716**

(22) Filed: **Sep. 8, 2014**

5,005,717 A	4/1991	Oilar	
5,390,838 A	2/1995	Jafarkhani	
5,407,110 A	4/1995	Marsh, Jr.	
5,505,353 A	4/1996	Marsh, Jr.	
D374,975 S *	10/1996	Vargas et al.	D3/202
5,680,958 A	10/1997	Mann et al.	
D392,095 S *	3/1998	Myers et al.	D3/229
5,864,289 A	1/1999	Tiemann	
5,913,463 A	6/1999	Carr	
6,029,938 A	2/2000	Fava	
6,286,798 B1	9/2001	Chun	
D625,513 S *	10/2010	Carnes et al.	D3/229
2010/0078451 A1	4/2010	Mount	

\* cited by examiner

**Related U.S. Application Data**

(63) Continuation of application No. 13/186,682, filed on Jul. 20, 2011, now abandoned.

(51) **LOC (10) Cl.** ..... **07-01**

(52) **U.S. Cl.**  
USPC ..... **D7/619.1**

(58) **Field of Classification Search**  
USPC ..... D7/607, 608; D3/202, 229;  
224/148.1-148.7, 250, 257, 602, 603;  
383/2, 41

CPC ..... B65D 81/3876; B65D 81/3886; B65D  
25/2873; A45F 3/14; A45F 2003/148; A45F  
3/02; A45F 2003/002; A45F 2005/006;  
A45F 5/00

See application file for complete search history.

(56) **References Cited**

**U.S. PATENT DOCUMENTS**

4,248,366 A *	2/1981	Christiansen	224/148.6
4,344,303 A *	8/1982	Kelly, Jr.	62/530
4,540,611 A *	9/1985	Henderson	220/903

*Primary Examiner* — Terry Wallace

(74) *Attorney, Agent, or Firm* — Robert C. Montgomery;  
Montgomery Patent and Design, LP.

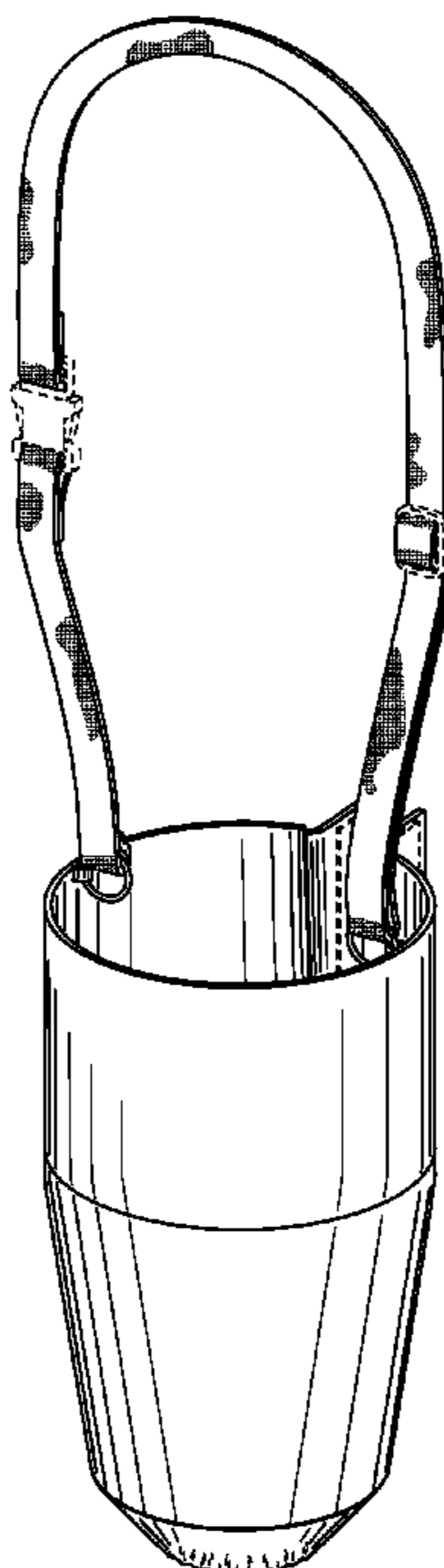
(57) **CLAIM**

The ornamental design for a portable beverage holder, as shown and described.

**DESCRIPTION**

FIG. 1 is a perspective front view of the portable beverage holder with the cuff extended, showing my new design;  
FIG. 2 is a perspective rear view thereof;  
FIG. 3 is a front view thereof;  
FIG. 4 is a rear view thereof;  
FIG. 5 is a left side view thereof;  
FIG. 6 is a right side view thereof;  
FIG. 7 is an enlarged top view thereof;  
FIG. 8 is an enlarged bottom view thereof; and,  
FIG. 9 is a perspective bottom view with the cuff not extended.

**1 Claim, 8 Drawing Sheets**



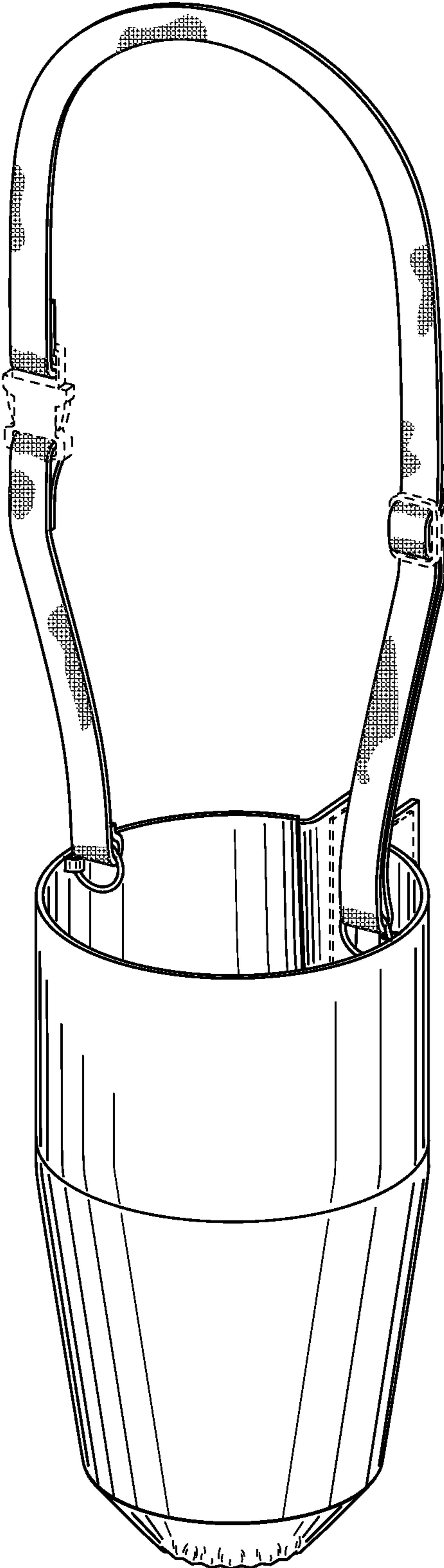


Fig. 1

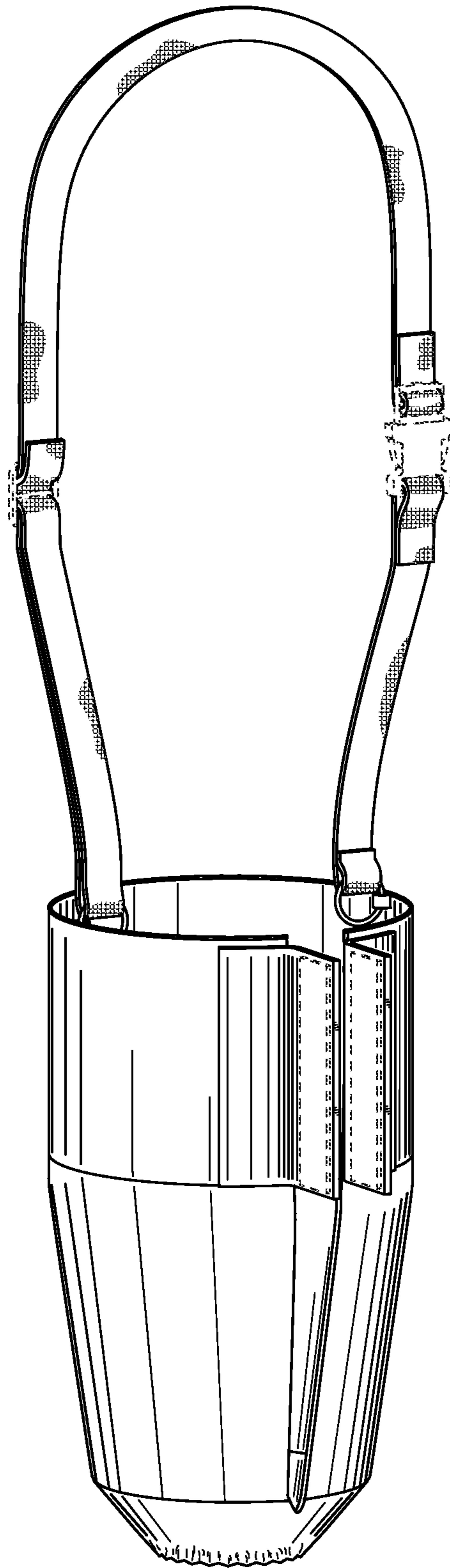


Fig. 2

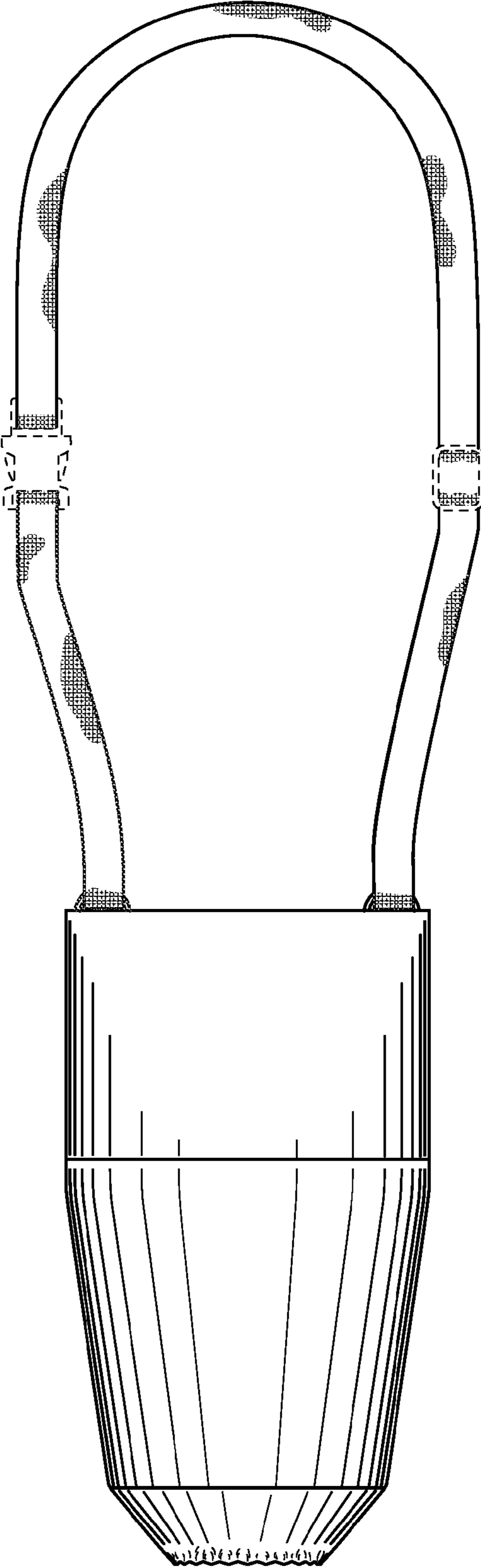


Fig. 3

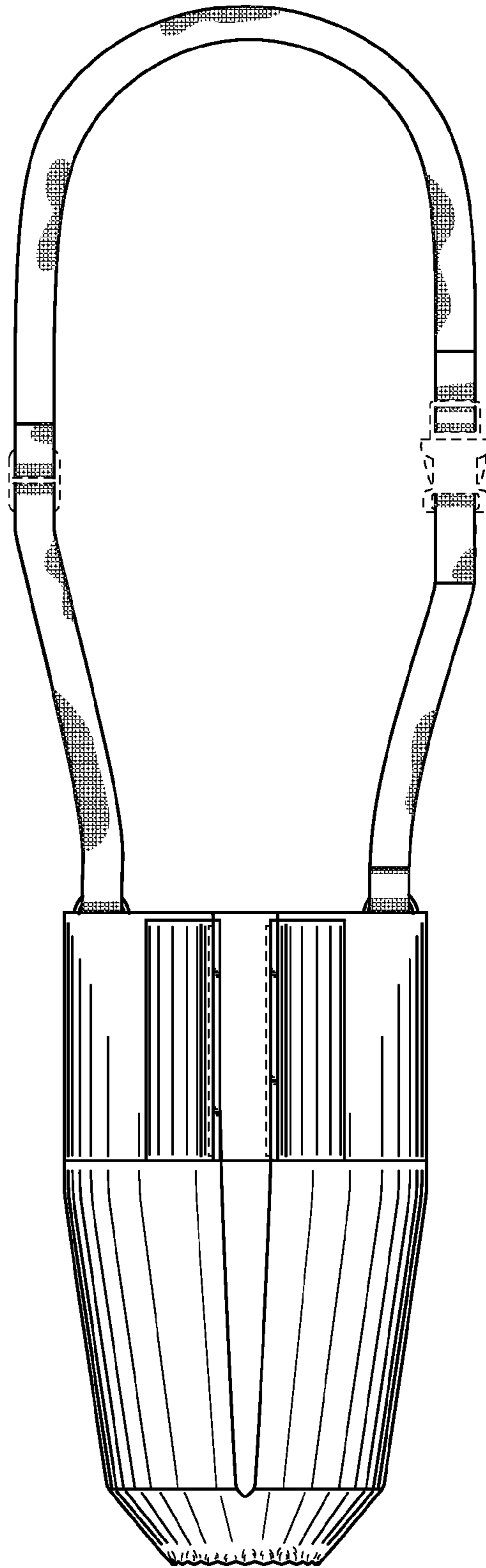


Fig. 4

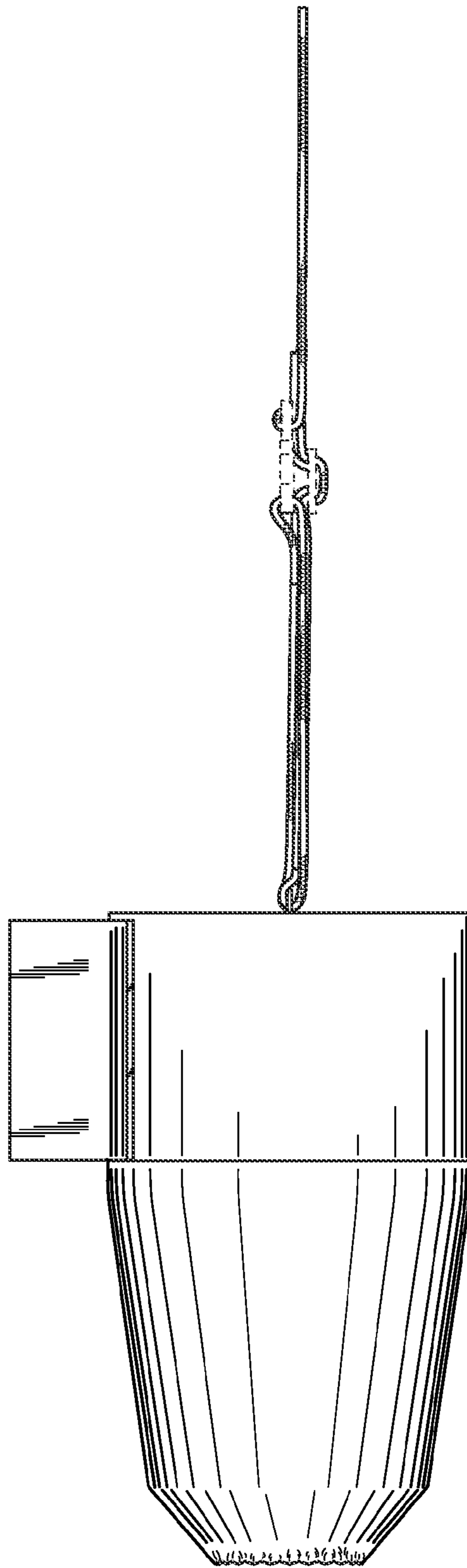


Fig. 5

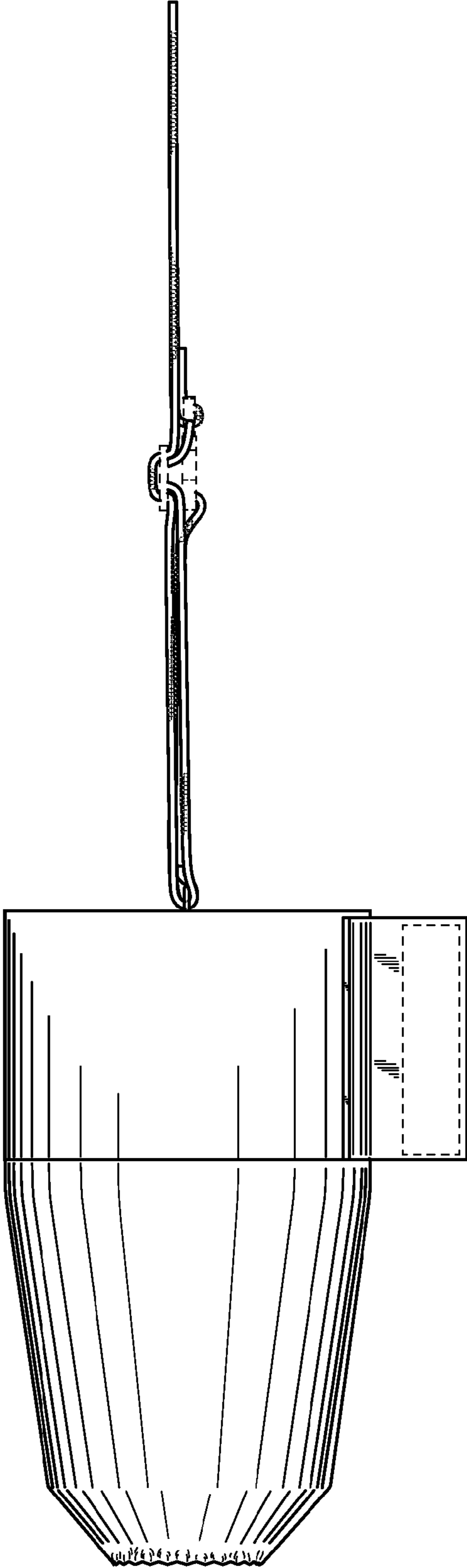


Fig. 6



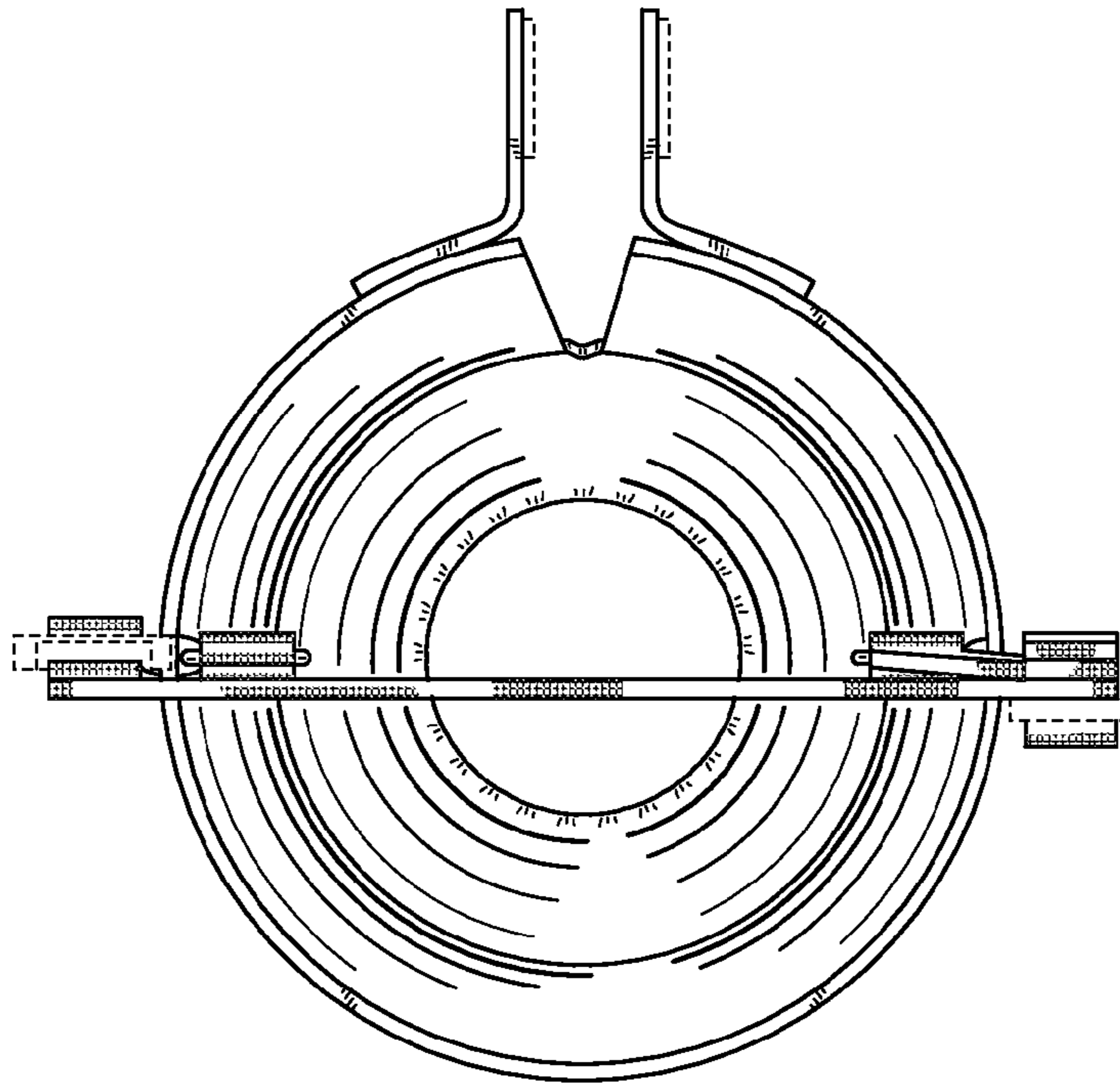


Fig. 7

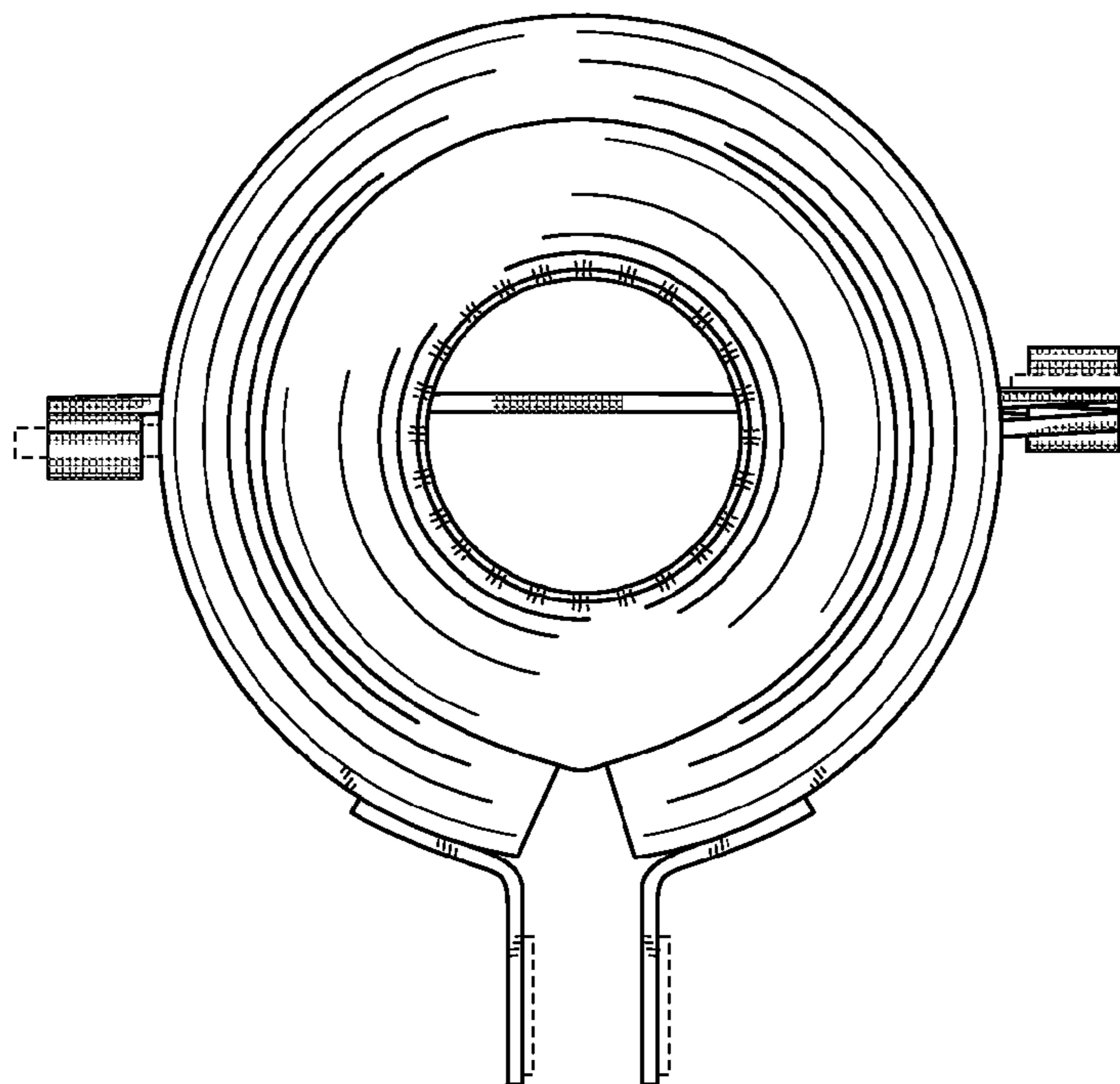


Fig. 8



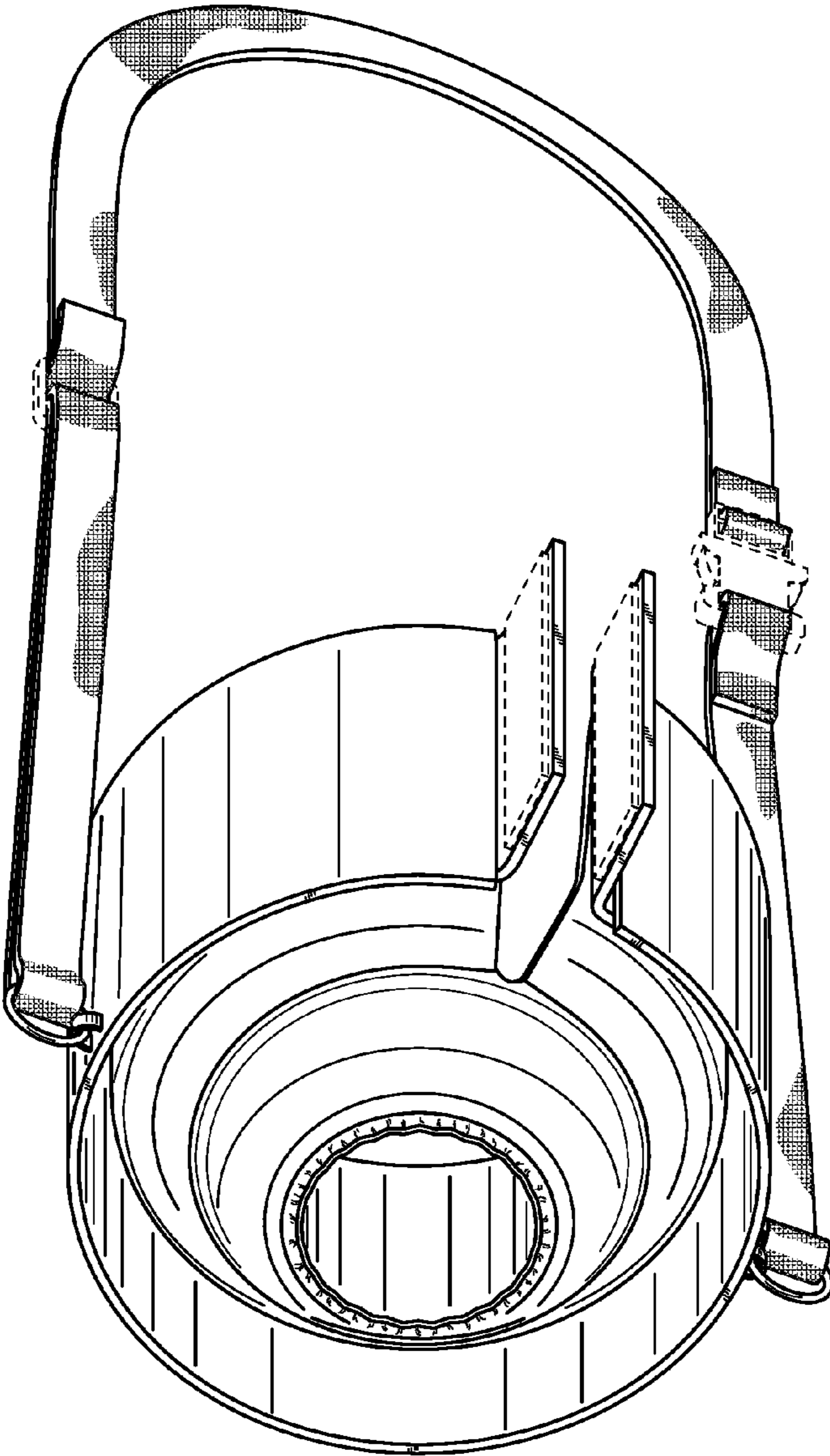


Fig. 9