



US00D739681S

(12) **United States Design Patent**
Bee

(10) **Patent No.:** **US D739,681 S**

(45) **Date of Patent:** **** Sep. 29, 2015**

(54) **SPICE RACK**

(71) Applicant: **Robert L. Bee**, Sterling Heights, MI
(US)

(72) Inventor: **Robert L. Bee**, Sterling Heights, MI
(US)

(**) Term: **14 Years**

(21) Appl. No.: **29/452,165**

(22) Filed: **Apr. 12, 2013**

(51) **LOC (10) Cl.** **07-06**

(52) **U.S. Cl.**
USPC **D7/600.4**

(58) **Field of Classification Search**
USPC D7/601, 600.1-600.4, 571-572,
D7/576-577, 582-583, 602, 628, 631, 634,
D7/637, 409, 504, 323, 590, 701-708;
D6/315, 317, 319, 329, 673, 675,
D6/675.2, 675.3, 675.5, 566, 567,
D6/569-572, 574, 672, 682, 682.2, 682.4,
D6/683-683.1, 677, 677.1, 672.2, 677.3,
D6/677.5, 680, 680.1, 680.2, 680.3, 681,
D6/681.1; D19/90-92, 75, 78; 220/485,
220/491, 493, 487, 488, 490, 494; 211/11,
211/126.9, 133.5, 85.4, 41.11, 59.2-59.3,
211/90.03, 85.31, 85.26, 126.5, 134, 153,
211/186-188, 181.1, 74, 75, 60.1, 71.01;
248/312, 235, 243, 219.1, 250, 176.1;
126/332; 312/306, 312, 317.1

CPC A47J 43/00; A47B 73/002; A47B 73/00;
A47B 73/004; A47B 73/006; A47B 55/02;
A47B 43/00; A47B 43/003; A47B 43/04;
A47B 46/00; A47B 46/005; A47B 47/00;
A47B 47/0008; A47B 47/0025; A47B
47/0058; A47B 47/0075; A47B 47/0083;
A47B 47/02; A47B 47/021; A47B 47/03;
A47B 47/04; A47B 55/00; A47B 57/00;
A47B 67/00; A47B 67/02; A47B 71/00;
A47B 75/00; A47B 77/00; A47B 77/02;
A47B 77/16; A47B 2210/17; A47B 88/0411;

B65D 21/0211; A47F 5/00; A47F 5/0018;
A47F 5/0043; A47F 5/005; A47F 5/0056;
A47F 5/0062; A47F 5/0081; A47F 5/01;
A47F 7/00; A47F 7/0007; A47F 7/0042;
A47F 7/0057; A47F 7/0064; A47F 7/0071;
A47F 5/0807; A47F 5/0876; A47F 5/0006;
A47F 5/0012; A47F 5/04; A47F 5/05; A47F
5/06; A47F 1/00; A47F 1/04; A47F 3/00;
F16M 11/38

See application file for complete search history.

(56) **References Cited**

U.S. PATENT DOCUMENTS

D115,255	S	*	6/1939	Taylor	D6/566
D171,696	S	*	3/1954	Hall	D6/463
2,903,137	A	*	9/1959	Brown	211/26
D186,561	S	*	11/1959	Howard	D6/566
3,139,258	A	*	6/1964	Handler et al.	248/243
D207,437	S	*	4/1967	Oliver	D6/465
D278,196	S	*	4/1985	Koves	D6/675.2

(Continued)

Primary Examiner — Ian Simmons

Assistant Examiner — Shannon Morgan

(74) *Attorney, Agent, or Firm* — Gifford, Krass, Sprinkle,
Anderson & Citkowski, P.C.; Erin B. King

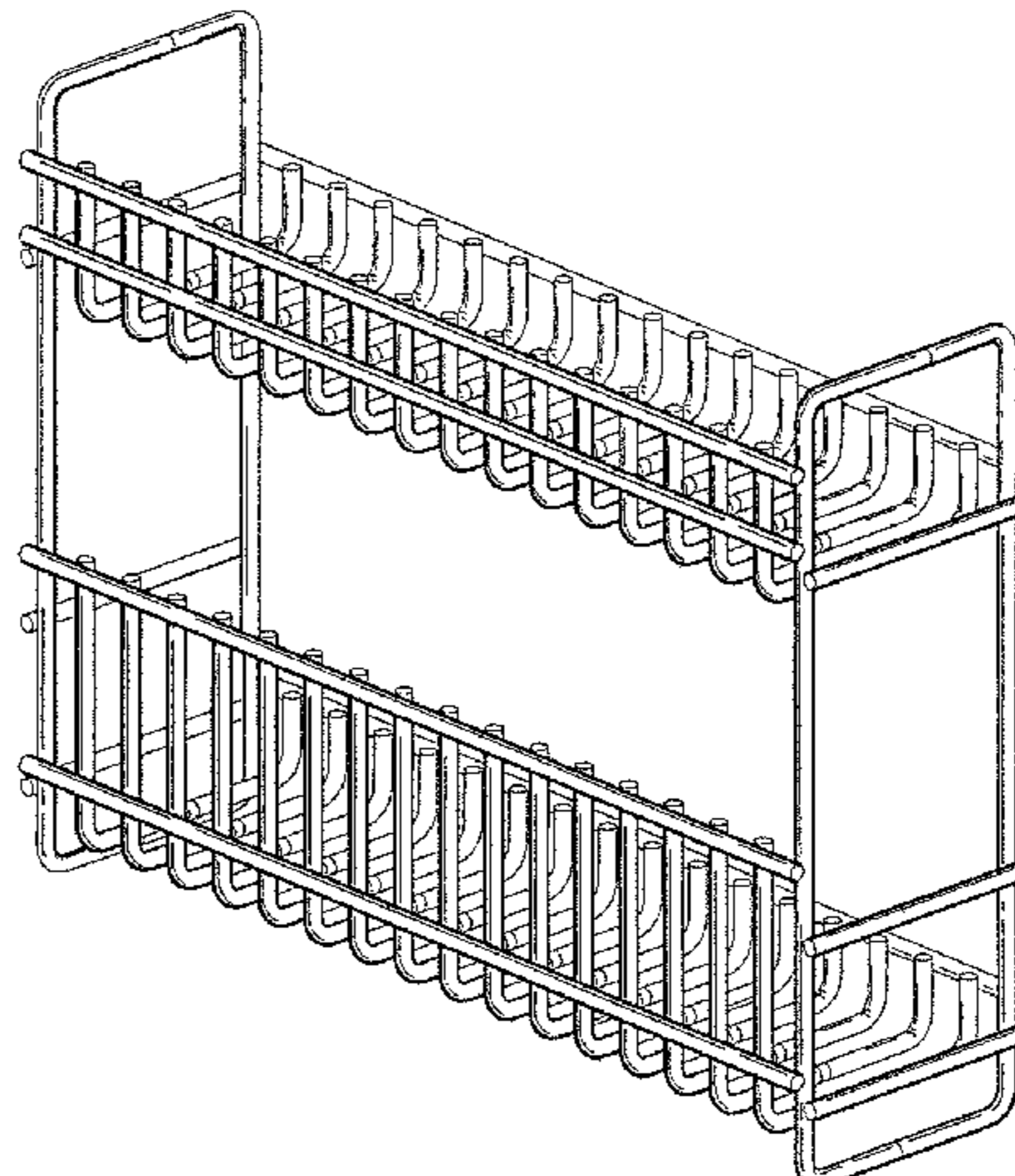
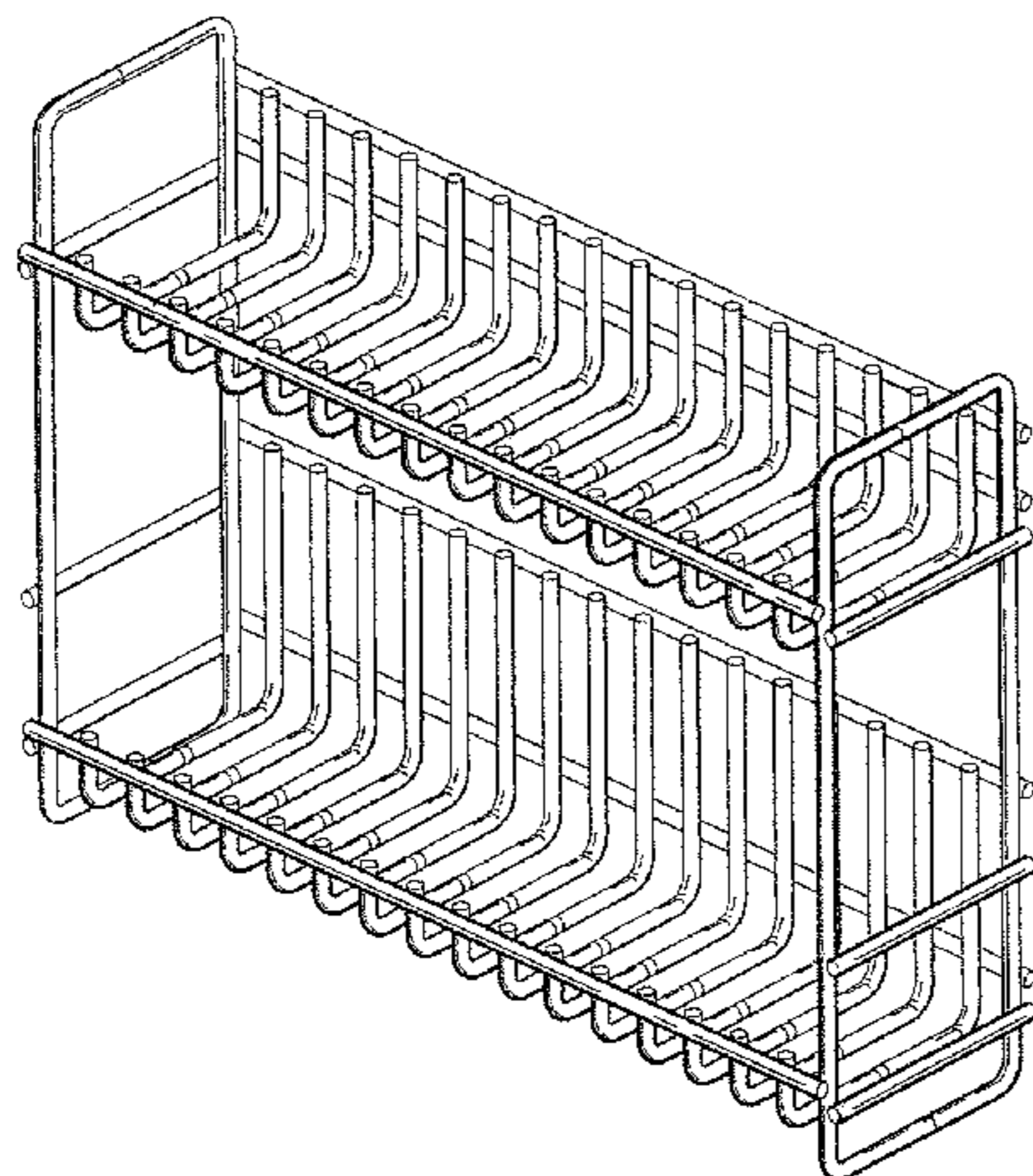
(57) **CLAIM**

The ornamental design for a spice rack, as shown and
described.

DESCRIPTION

FIG. 1 is a front perspective view of a spice rack showing my
new design;
FIG. 2 is a rear perspective view thereof;
FIG. 3 is a front elevational view thereof;
FIG. 4 is a rear elevational view thereof;
FIG. 5 is a top plan view thereof;
FIG. 6 is a bottom plan view thereof;
FIG. 7 is a left side elevational view thereof; and,
FIG. 8 is a right side elevational view thereof.

1 Claim, 3 Drawing Sheets



(56)

References Cited

U.S. PATENT DOCUMENTS

4,666,201	A *	5/1987	Chap	294/161	D579,691	S *	11/2008	Snider	D6/675.2
4,714,305	A *	12/1987	Service		D588,840	S *	3/2009	Dretzka	D6/675.2
5,460,279	A *	10/1995	Emery et al.	211/106	D612,648	S *	3/2010	Guindi	D6/536
D365,239	S *	12/1995	Emery et al.	D6/566	D616,680	S *	6/2010	Snider	D6/513
D376,941	S *	12/1996	Munoz et al.	D6/525	D650,203	S *	12/2011	Klein et al.	D6/677.1
D406,218	S	3/1999	Schneider		D724,357	S *	3/2015	Lim	D6/675.1
D415,915	S *	11/1999	Camilleri et al.	D6/522	9,004,300	B1 *	4/2015	Morrell	211/187
D437,165	S *	2/2001	Goodman et al.	D7/600.4	2005/0006541	A1 *	1/2005	Magnusson et al.	248/235
6,209,978	B1	4/2001	Khan		2006/0032829	A1 *	2/2006	Hutzler	211/187
D501,337	S *	2/2005	Berger et al.	D7/600.1	2010/0288717	A1 *	11/2010	Morandi	211/187
D568,116	S *	5/2008	Goodman et al.	D7/600.4	2011/0226775	A1 *	9/2011	Shea	220/476
					2011/0290750	A1 *	12/2011	Lim	211/153
					2014/0124598	A1 *	5/2014	Vaccaro et al.	239/289

* cited by examiner

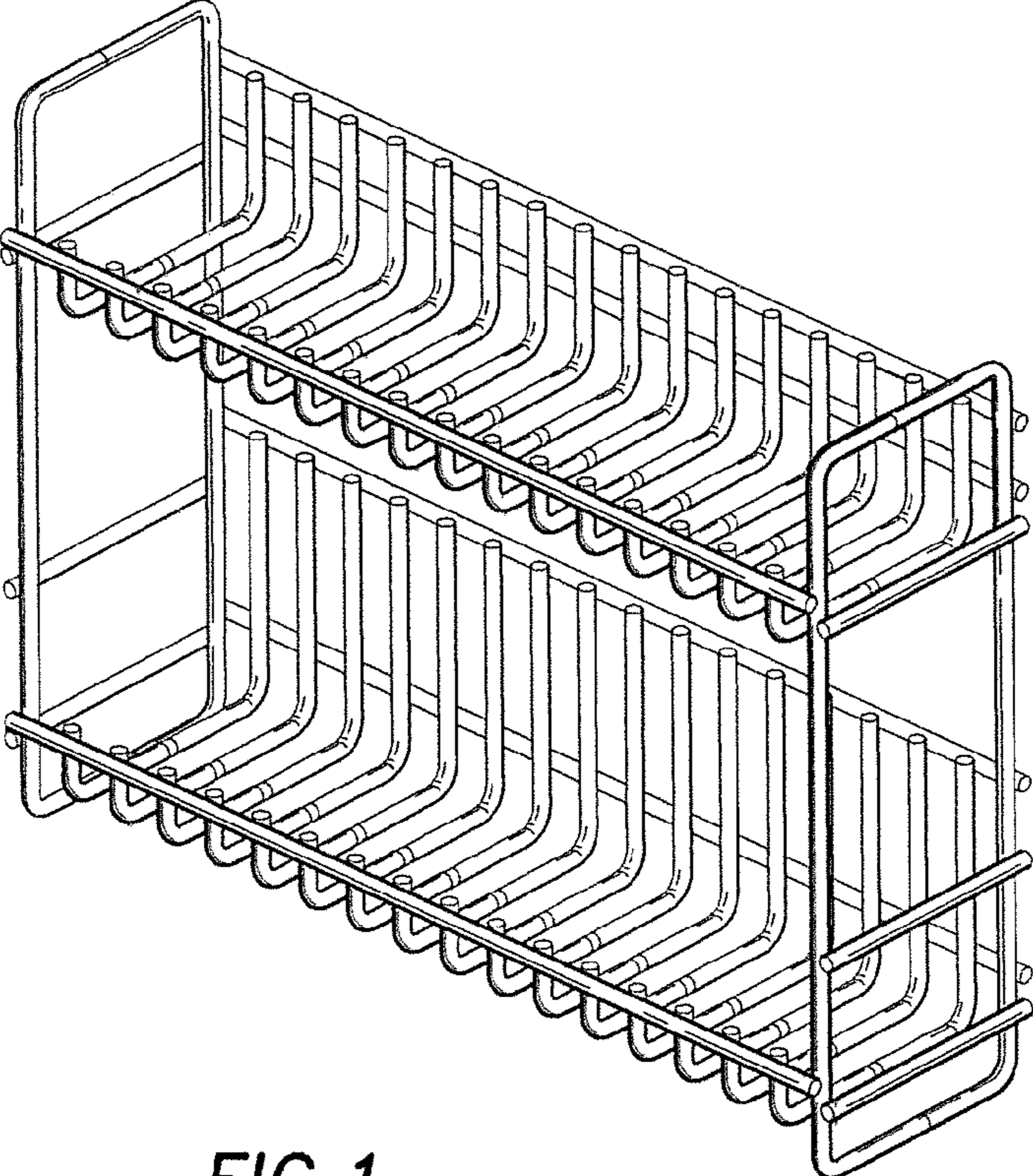


FIG. 1

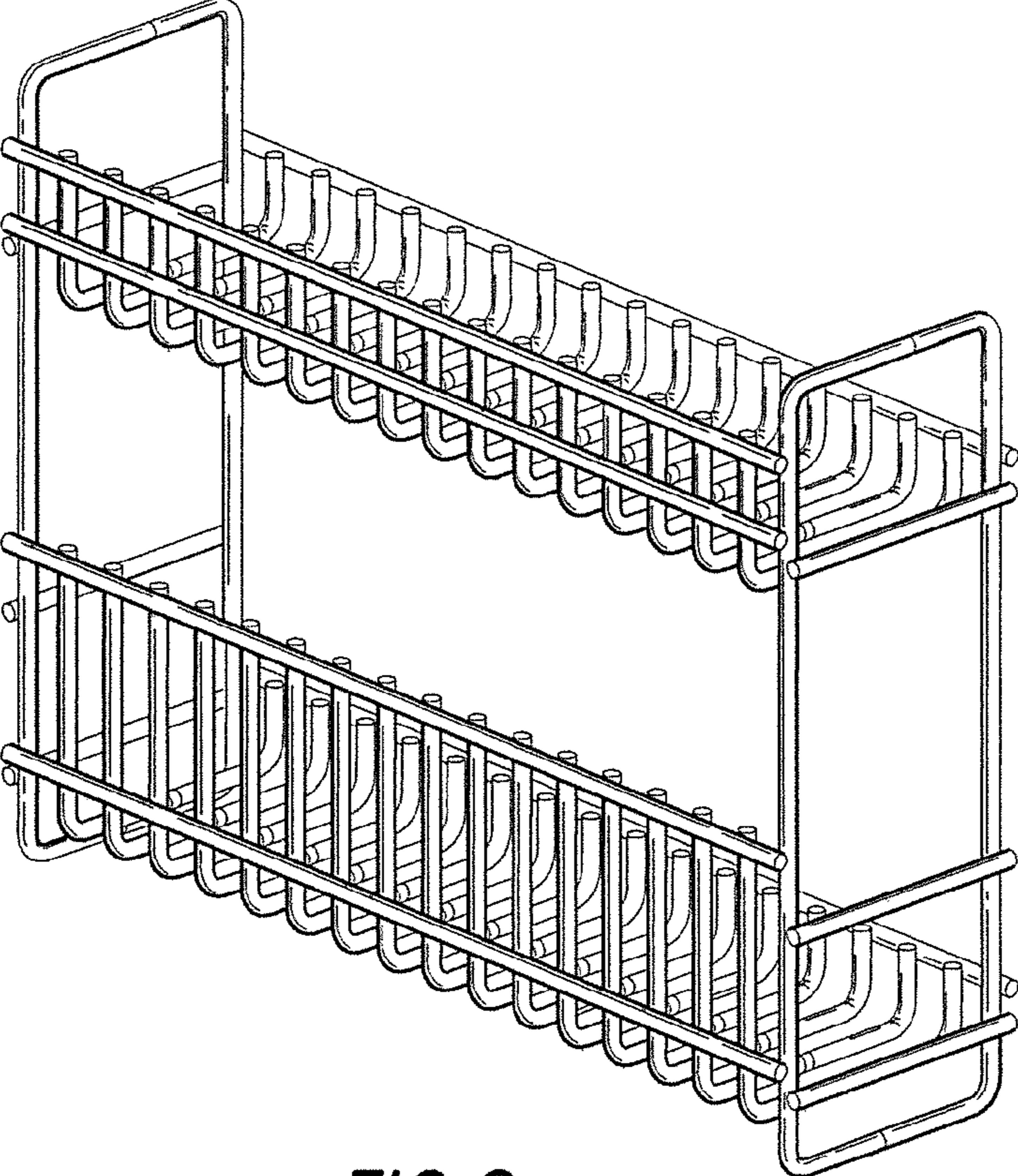


FIG. 2

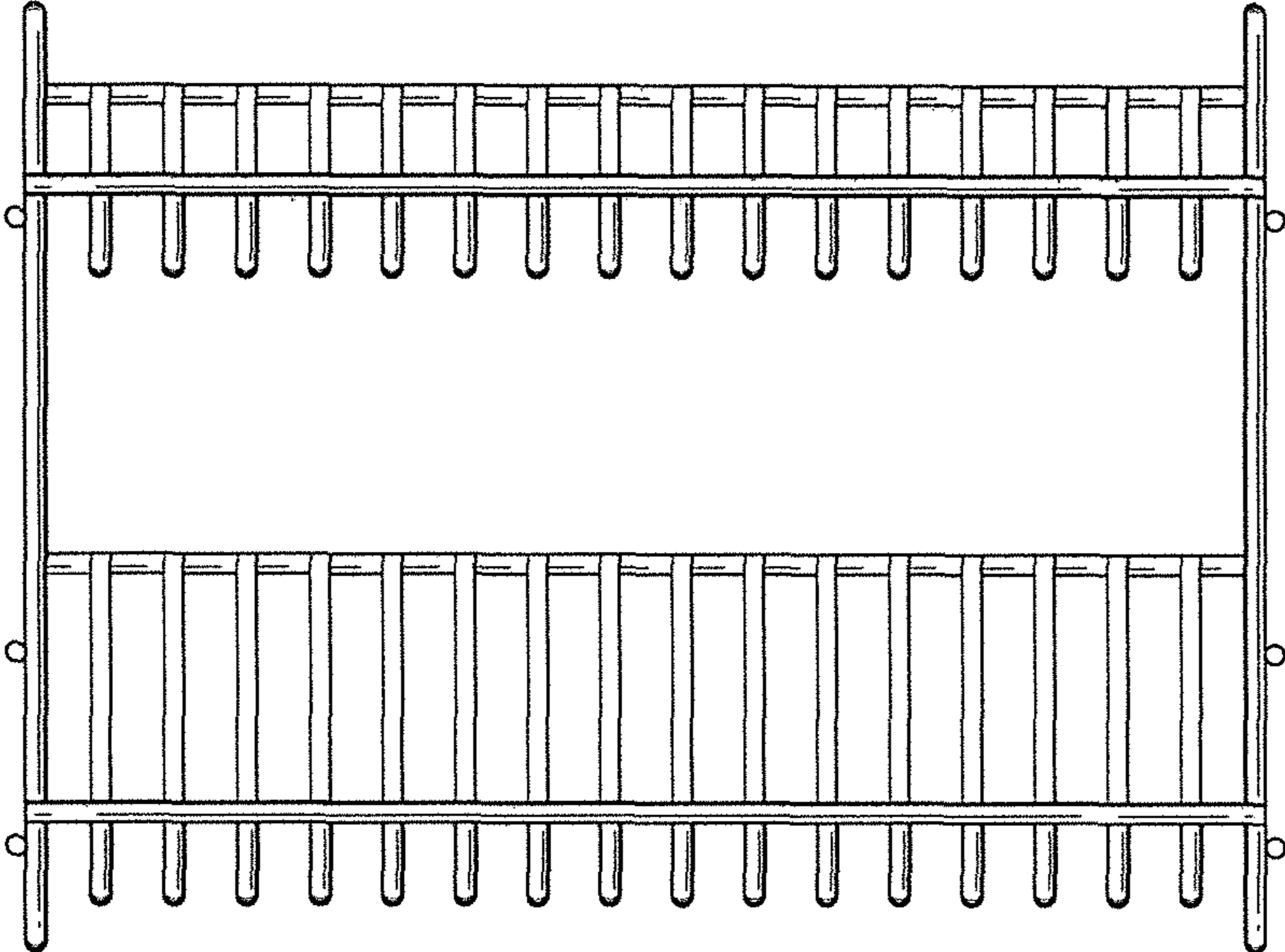


FIG. 3

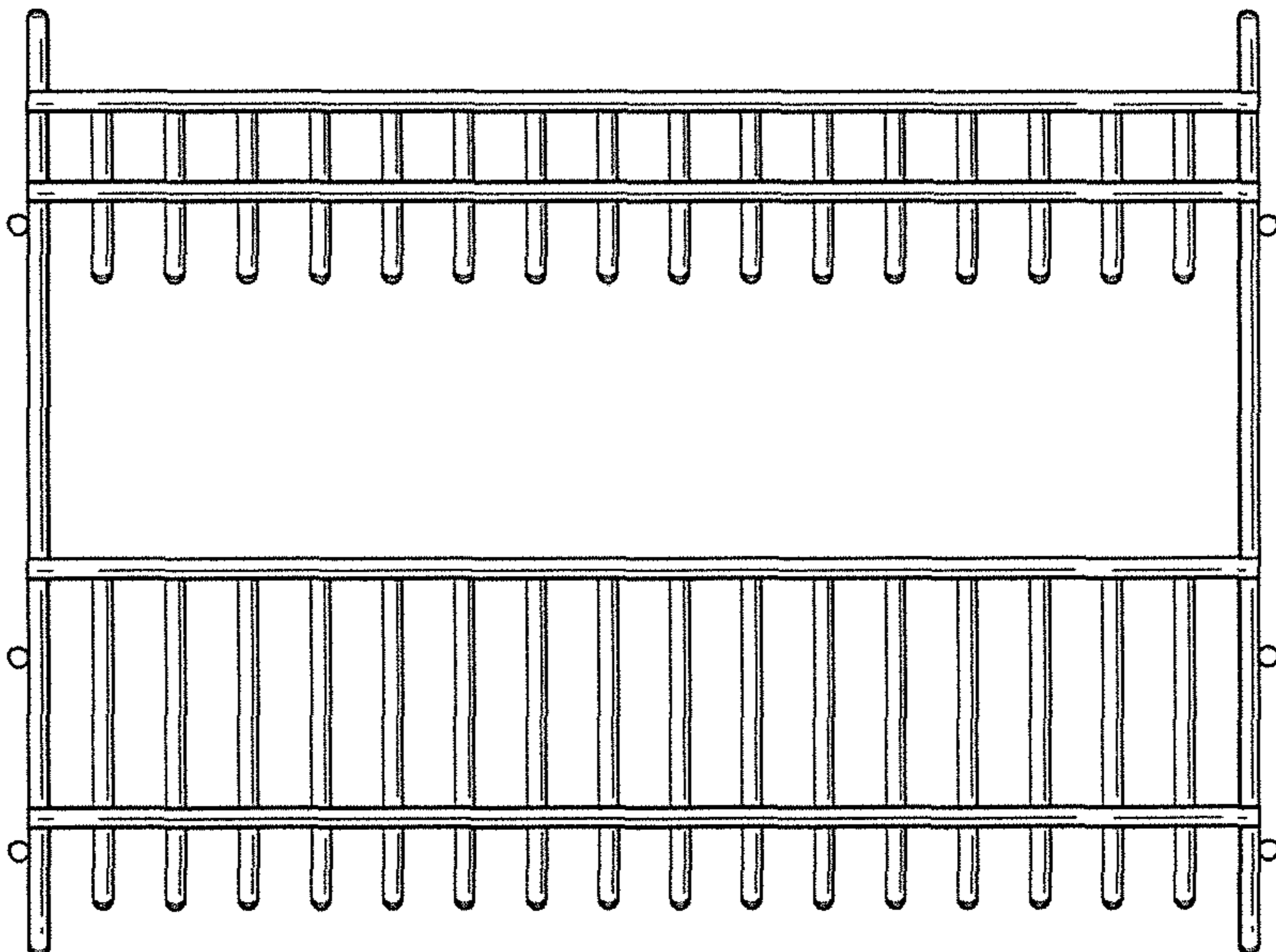


FIG. 4

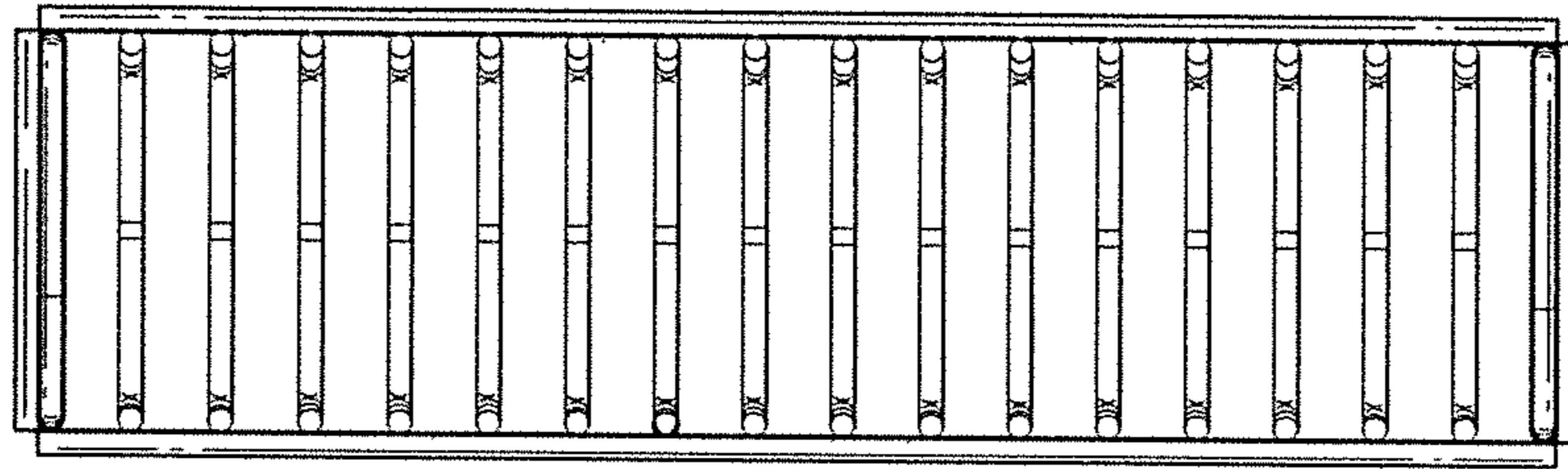


FIG. 5

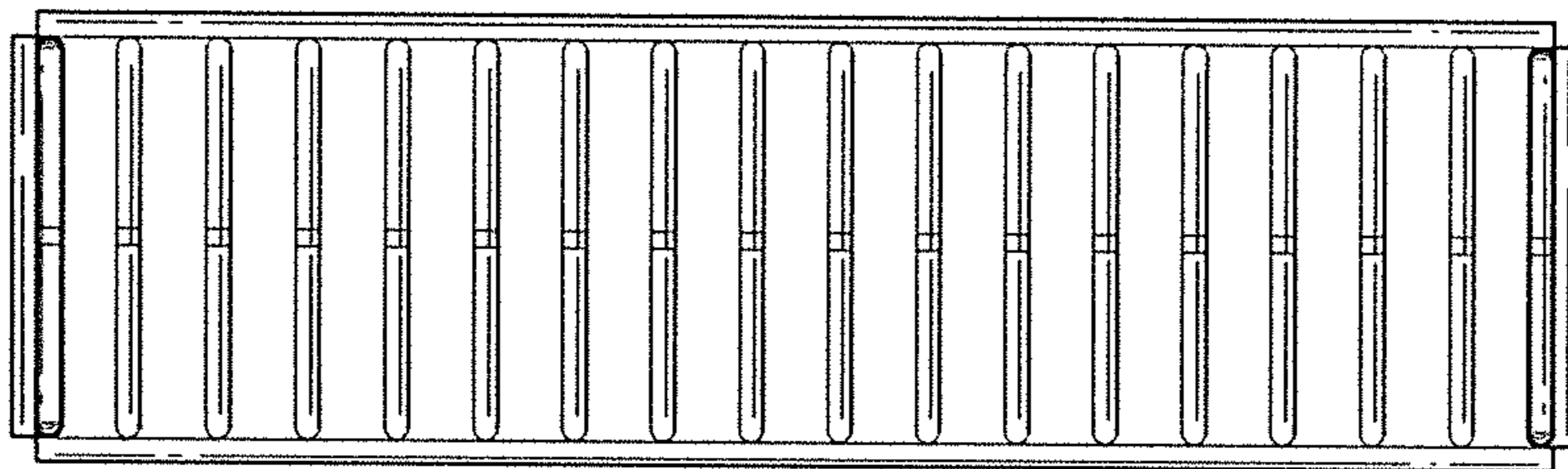


FIG. 6

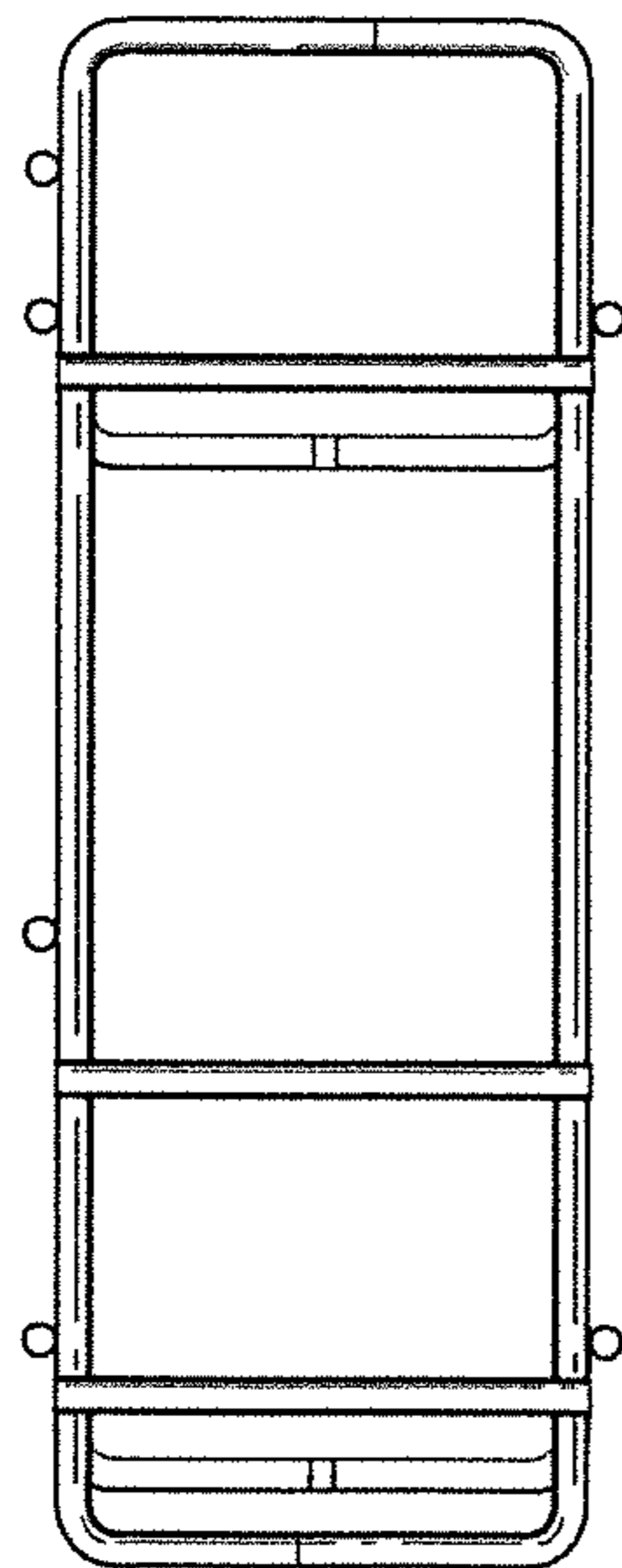


FIG. 7

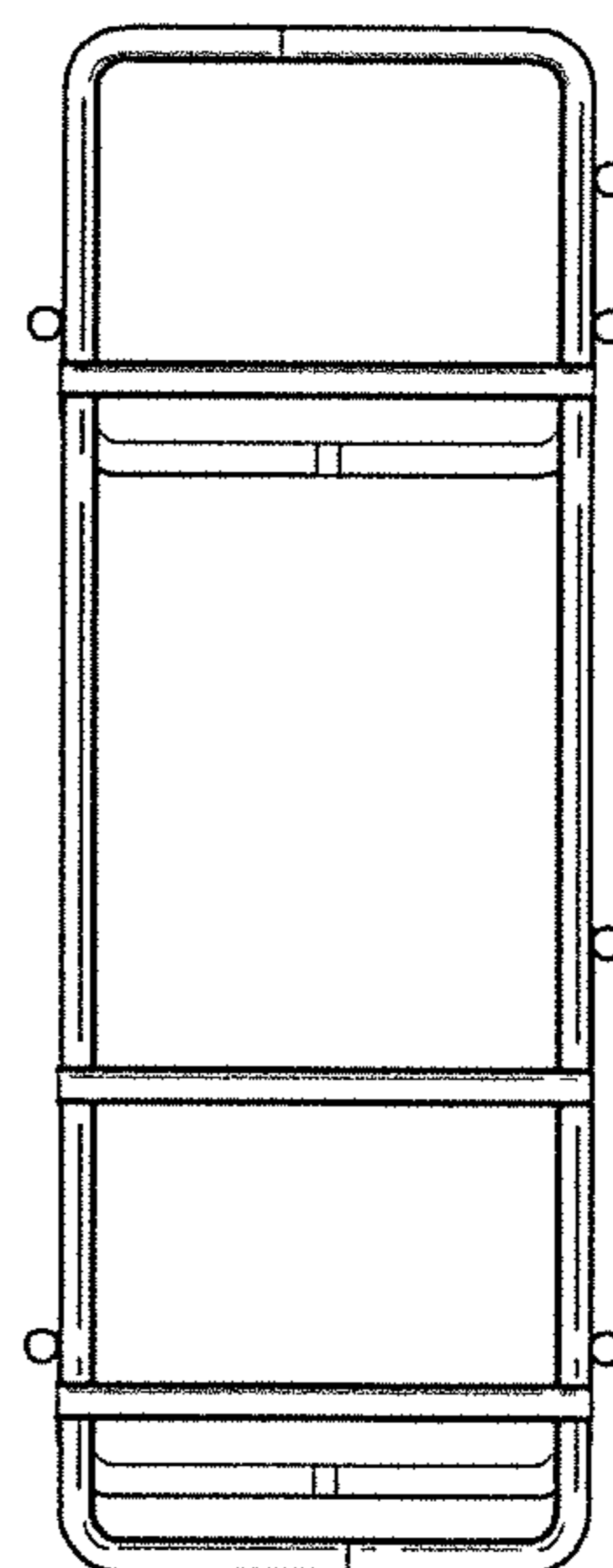


FIG. 8