



US00D739679S

(12) **United States Design Patent**  
**Benoit et al.**

(10) **Patent No.:** **US D739,679 S**  
(45) **Date of Patent:** **\*\* Sep. 29, 2015**

- (54) **FOOD PROCESSOR ATTACHMENT**
  - (71) Applicant: **Whirlpool Corporation**, Benton Harbor, MI (US)
  - (72) Inventors: **Kaitlyn M. Benoit**, St. Joseph, MI (US);  
**Leif A. Norland**, St. Joseph, MI (US)
  - (73) Assignee: **Whirlpool Corporation**, Benton Harbor, MI (US)
  - (\*\*) Term: **14 Years**
  - (21) Appl. No.: **29/485,056**
  - (22) Filed: **Mar. 14, 2014**
  - (51) **LOC (10) Cl.** ..... **31-00**
  - (52) **U.S. Cl.**  
USPC ..... **D7/412; D7/376; D7/378; D7/379; D7/384**
  - (58) **Field of Classification Search**  
USPC ..... **D7/372-373, 376-386, 412-413, 602, D7/629, 665-666, 669, 679, 693-694; 99/484, 509-511; 209/355, 358; 241/92, 98, 100, 101.01-101.2, 241/166-169.1, 274-278.2, 285.1-285.3, 241/291, 292.1; 366/64-65, 97-98, 100, 366/130, 182.4, 197-201, 205-207, 366/219-220, 341-343**  
CPC ..... **A21C 1/02; A21C 1/04; A23N 1/00; A23N 1/02; A47J 43/04; A47J 43/25; A47J 43/27; A47J 43/042; A47J 43/044; A47J 43/046; A47J 43/07; A47J 43/075; A47J 43/0705; A47J 43/0722; A47J 43/0727; A47J 44/02; B01F 3/00; B01F 3/0807; B01F 3/0853; B01F 7/1605; B01F 13/0059; B01F 13/0064; B02C 1/08; B02C 2/04; B02C 4/42; B02C 4/142; B02C 4/143; B02C 4/423; B02C 13/1835; B02C 5/10; B02C 5/12; B02C 5/14; B02C 5/16**
- See application file for complete search history.

(56) **References Cited**

U.S. PATENT DOCUMENTS

D47,660	S	*	7/1915	Wear et al.	.....	D7/373
2,003,259	A	*	5/1935	Gilbert et al.	.....	99/484
2,069,506	A	*	2/1937	Ross	.....	366/200
2,537,852	A	*	1/1951	Peterson	.....	209/355
2,710,098	A	*	6/1955	Tilton	.....	209/358
D310,153	S	*	8/1990	Kaiser	.....	D7/412
D643,265	S	*	8/2011	Kim et al.	.....	D7/665
D660,660	S	*	5/2012	Kim	.....	D7/666
D670,138	S	*	11/2012	Hu	.....	D7/665
D698,210	S	*	1/2014	Lavy et al.	.....	D7/665
D718,094	S	*	11/2014	Yan	.....	D7/665
2009/0175123	A1	*	7/2009	Membreno	.....	366/182.4
2014/0263783	A1	*	9/2014	Benoit et al.	.....	241/100

\* cited by examiner

*Primary Examiner* — Ricky Pham

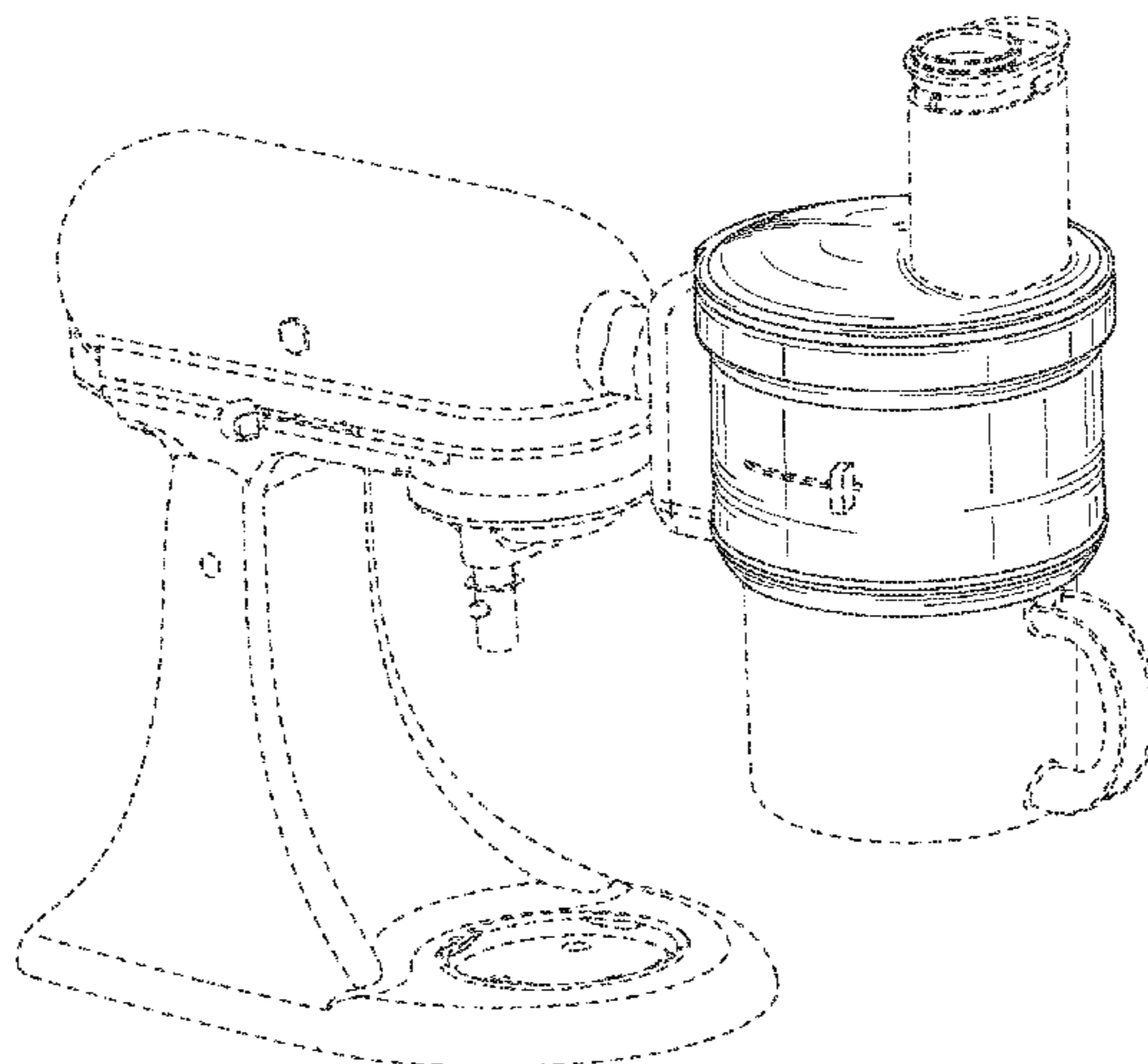
(57) **CLAIM**  
We claim the ornamental design for a food processor attachment, as shown and described.

**DESCRIPTION**

FIG. 1 is a front perspective view of the food processor attachment of the present disclosure;  
 FIG. 2 is a rear perspective view of the food processor attachment of FIG. 1;  
 FIG. 3 is a front elevational view of the food processor attachment of FIG. 1;  
 FIG. 4 is a rear elevational view of the food processor attachment of FIG. 1;  
 FIG. 5 is a first side elevational view of the food processor attachment of FIG. 1;  
 FIG. 6 is a second side elevational view of food processor attachment of FIG. 1;  
 FIG. 7 is a top plan view of the food processor attachment of FIG. 1; and,  
 FIG. 8 is a bottom plan view of the food processor attachment of FIG. 1.

The broken lines shown in the drawings are for illustrative purposes only and form no part of the claimed design.

**1 Claim, 6 Drawing Sheets**



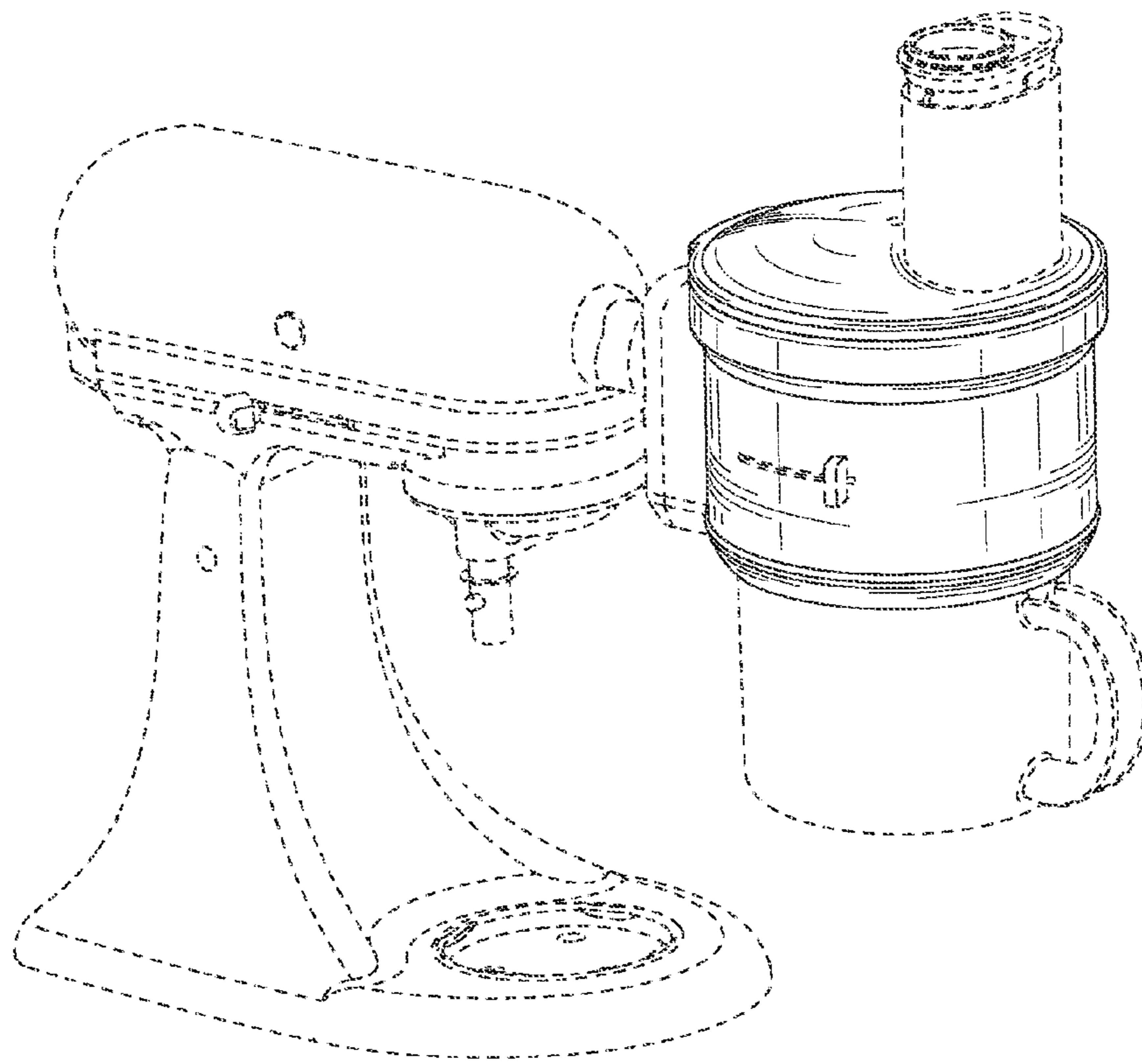


FIG. 1

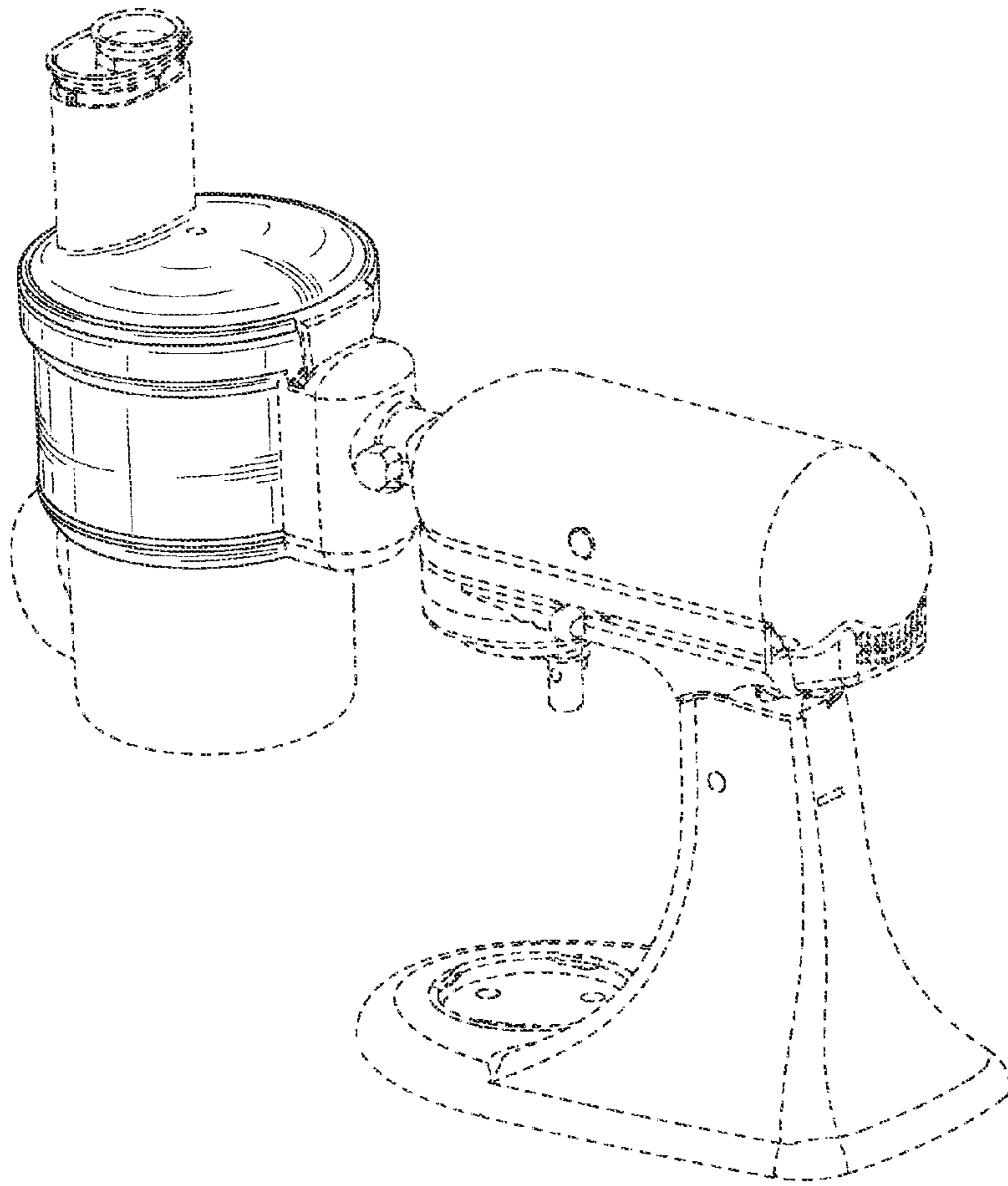


FIG. 2

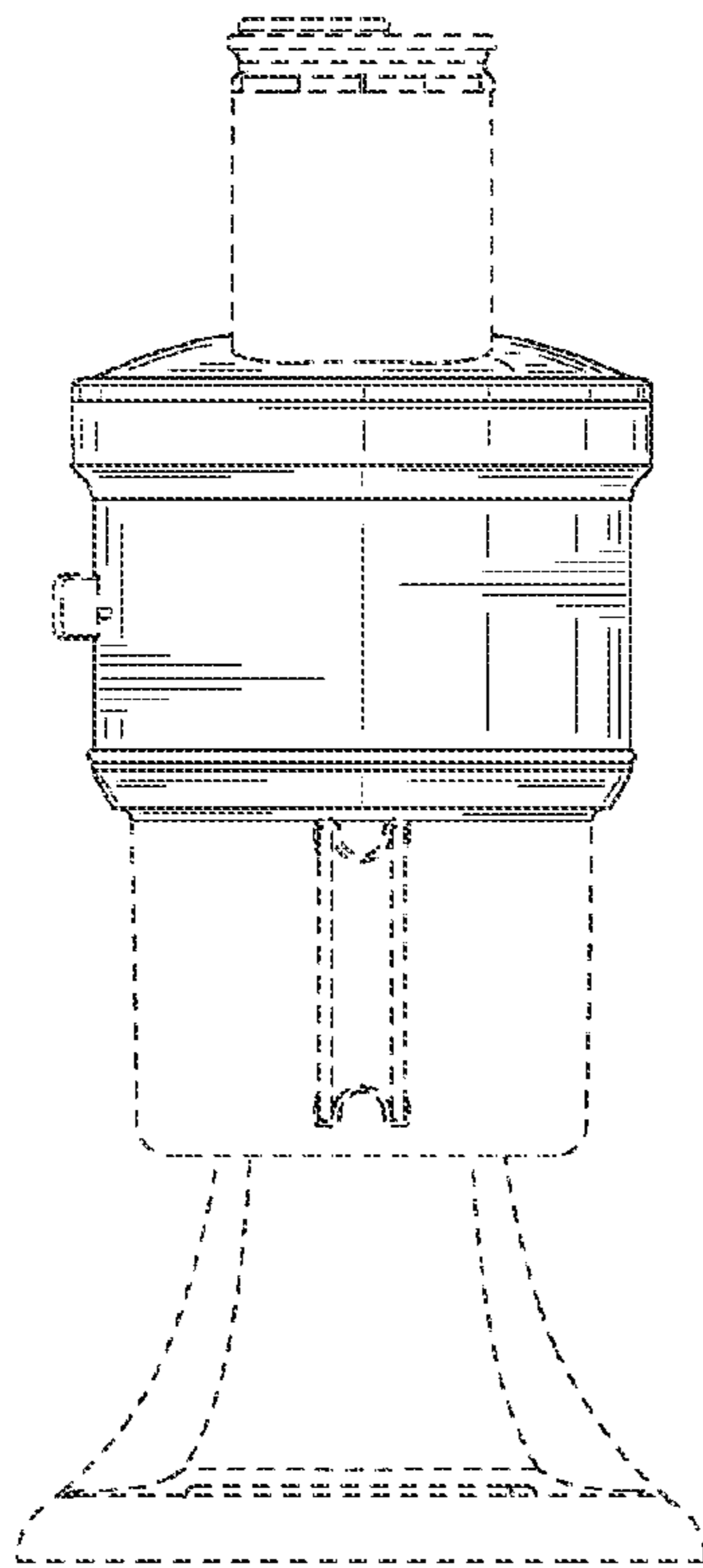


FIG. 3

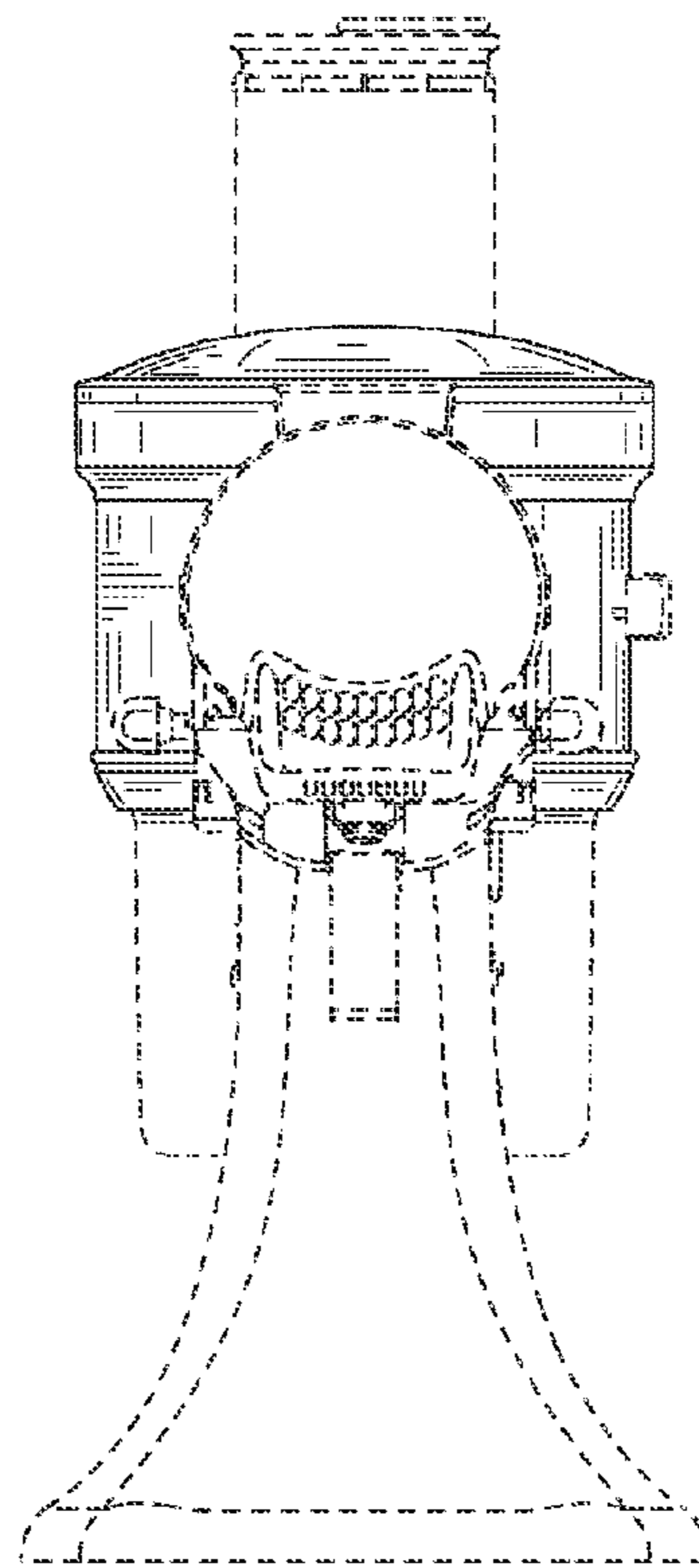


FIG. 4

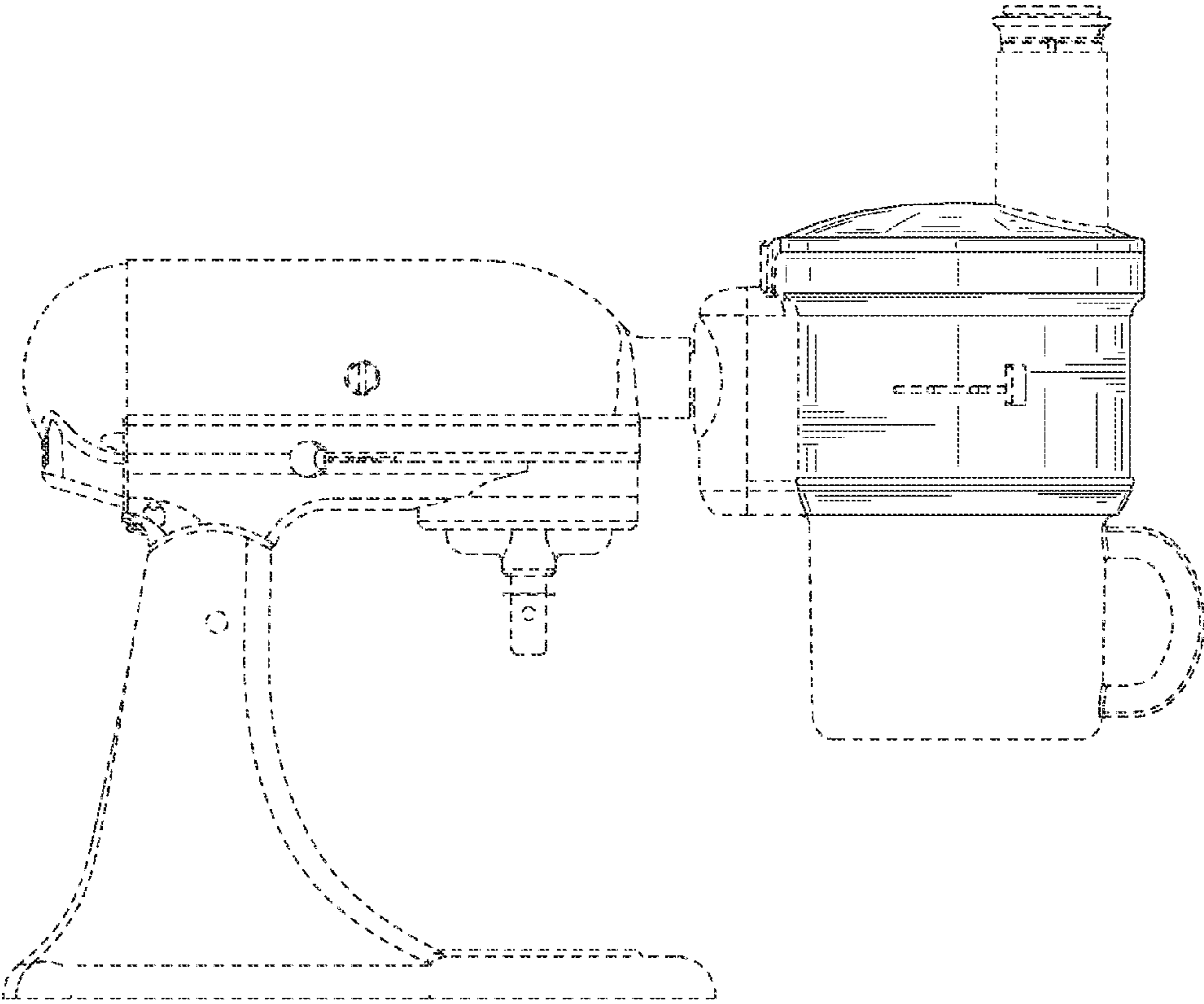


FIG. 5

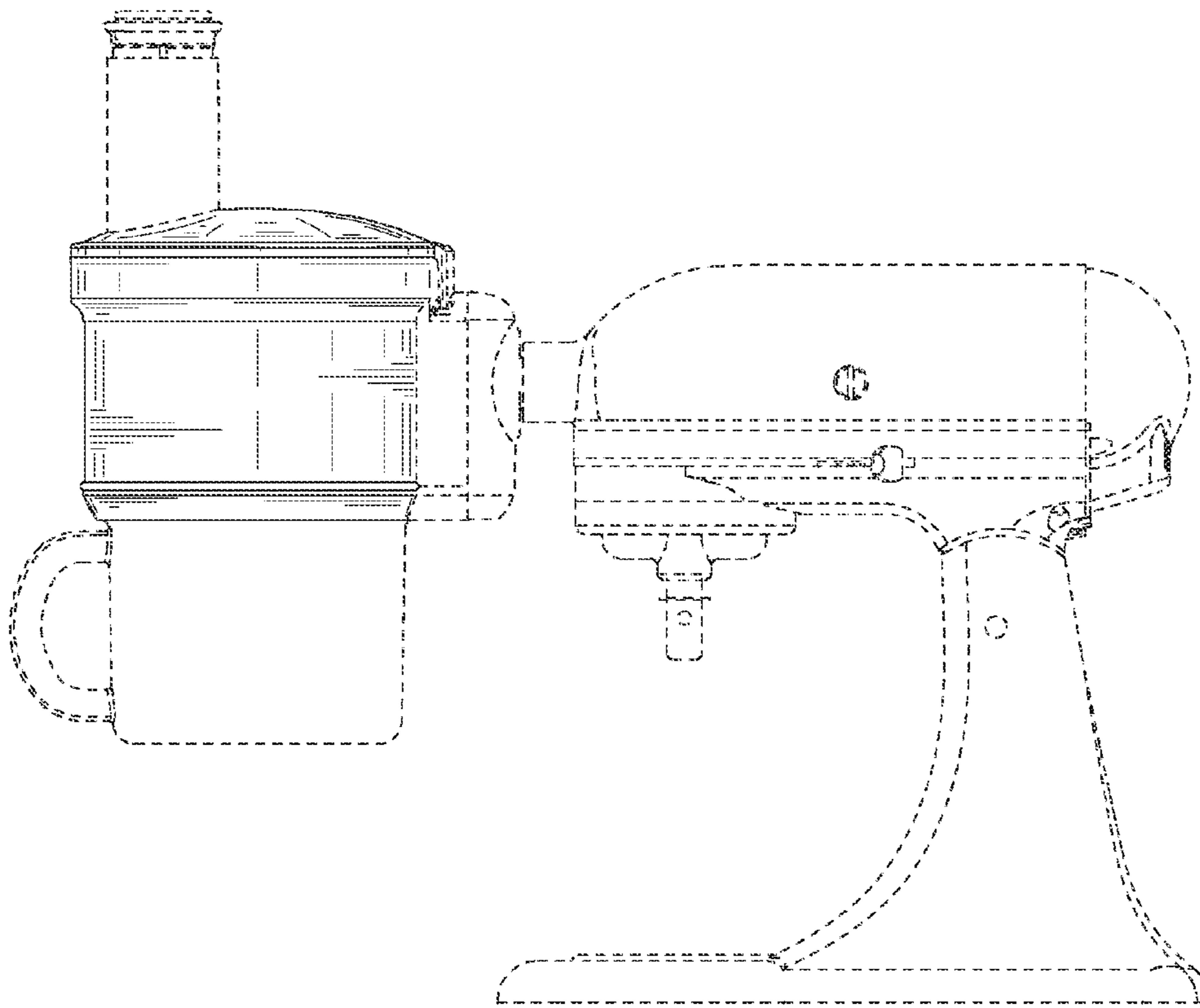


FIG. 6

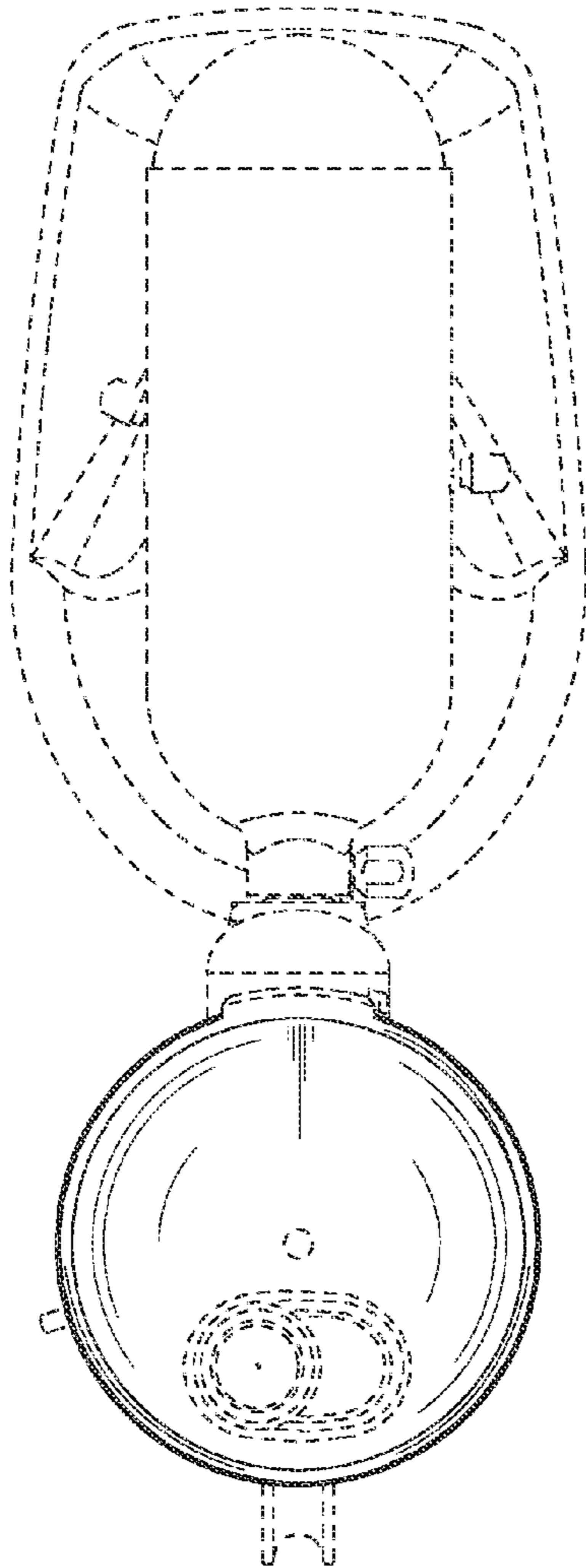


FIG. 7

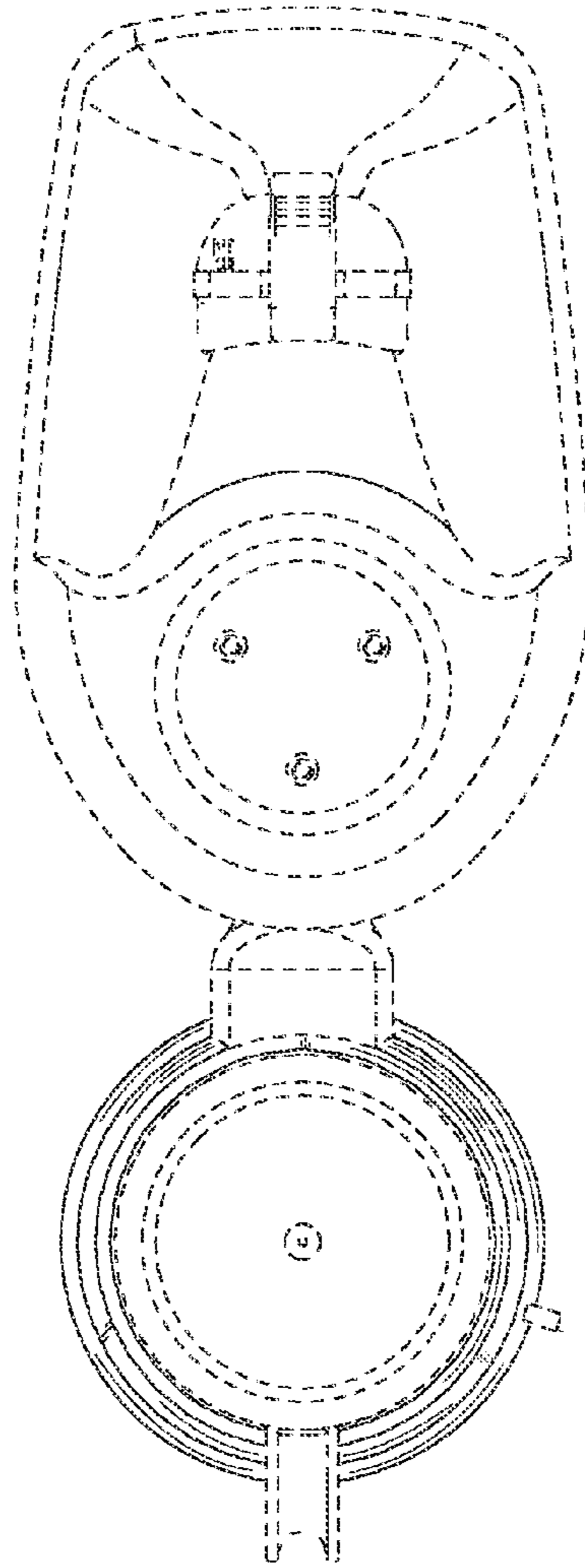


FIG. 8