

US00D739678S

(12) **United States Design Patent**
Benoit et al.

(10) **Patent No.:** **US D739,678 S**
(45) **Date of Patent:** **** Sep. 29, 2015**

(54) **JUICER ATTACHMENT**

(71) Applicant: **Whirlpool Corporation**, Benton Harbor, MI (US)

(72) Inventors: **Kaitlyn M. Benoit**, St. Joseph, MI (US);
Leif A. Norland, St. Joseph, MI (US)

(73) Assignee: **Whirlpool Corporation**, Benton Harbor, MI (US)

(**) Term: **14 Years**

(21) Appl. No.: **29/485,014**

(22) Filed: **Mar. 14, 2014**

(51) **LOC (10) Cl.** **31-00**

(52) **U.S. Cl.**
USPC **D7/412; D7/376; D7/378; D7/379; D7/384**

(58) **Field of Classification Search**

USPC D7/372-373, 376-386, 412-413, 602, D7/629, 665-666, 669, 679, 693-694; 99/484, 509-511; 209/355, 358; 241/92, 98, 100, 101.01-101.2, 241/166-169.1, 274-278.2, 285.1-285.3, 241/291, 292.1; 366/64-65, 97-98, 100, 366/130, 182.4, 197-201, 205-207, 366/219-220, 341-343
CPC A21C 1/02; A21C 1/04; A23N 1/00; A23N 1/02; A47J 43/04; A47J 43/25; A47J 43/27; A47J 43/042; A47J 43/044; A47J 43/046; A47J 43/07; A47J 43/075; A47J 43/0705; A47J 43/0722; A47J 43/0727; A47J 44/02; B01F 3/00; B01F 3/0807; B01F 3/0853; B01F 7/1605; B01F 13/0059; B01F 13/0064; B02C 1/08; B02C 2/04; B02C 4/42; B02C 4/142; B02C 4/143; B02C 4/423; B02C 13/1835; B28C 5/10; B28C 5/12; B28C 5/14; B28C 5/16

See application file for complete search history.

(56) **References Cited**

U.S. PATENT DOCUMENTS

D47,660	S	*	7/1915	Wear et al.	D7/373
2,003,259	A	*	5/1935	Gilbert et al.	99/484
2,069,506	A	*	2/1937	Ross	366/200
2,537,852	A	*	1/1951	Peterson	209/355
2,710,098	A	*	6/1955	Tilton	209/358
D310,153	S	*	8/1990	Kaiser	D7/412
D643,265	S	*	8/2011	Kim et al.	D7/665
D660,660	S	*	5/2012	Kim	D7/666
D670,138	S	*	11/2012	Hu	D7/665
D698,210	S	*	1/2014	Lavy et al.	D7/665
D718,094	S	*	11/2014	Yan	D7/665
2009/0175123	A1	*	7/2009	Membreno	366/182.4
2014/0263783	A1	*	9/2014	Benoit et al.	241/100

* cited by examiner

Primary Examiner — Ricky Pham

(57) **CLAIM**

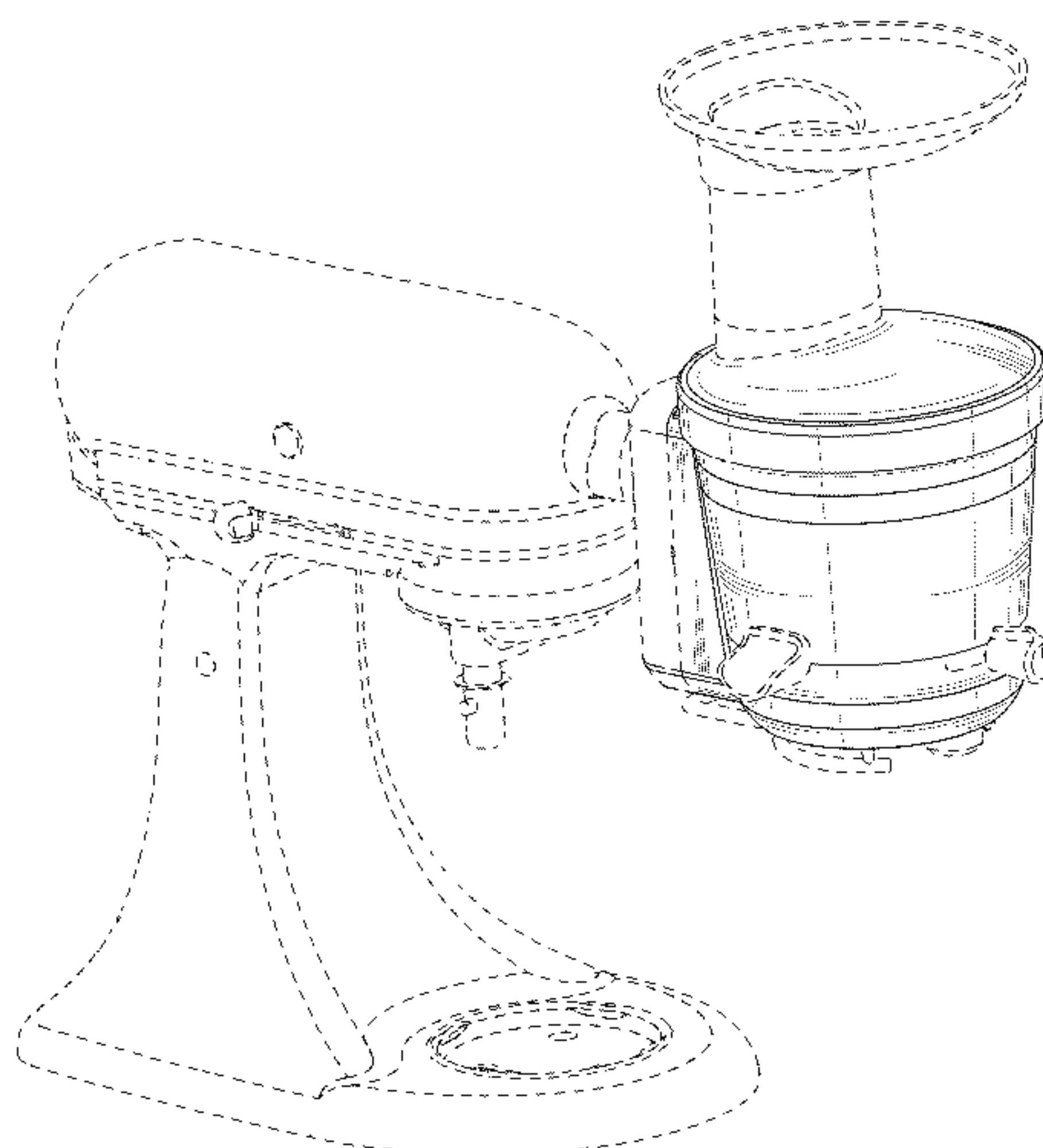
We claim the ornamental design for a juicer attachment, as shown and described.

DESCRIPTION

FIG. 1 is a front perspective view of the juicer attachment of the present disclosure;
FIG. 2 is a rear perspective view of the juicer attachment of FIG. 1;
FIG. 3 is a front elevational view of the juicer attachment of FIG. 1;
FIG. 4 is a rear elevational view of the juicer attachment of FIG. 1;
FIG. 5 is a first side elevational view of the juicer attachment of FIG. 1;
FIG. 6 is a second side elevational view of the juicer attachment of FIG. 1;
FIG. 7 is a top plan view of the juicer attachment of FIG. 1; and,
FIG. 8 is a bottom plan view of the juicer attachment of FIG. 1.

The broken lines shown in the drawings are for illustrative purposes only and form no part of the claimed design.

1 Claim, 6 Drawing Sheets



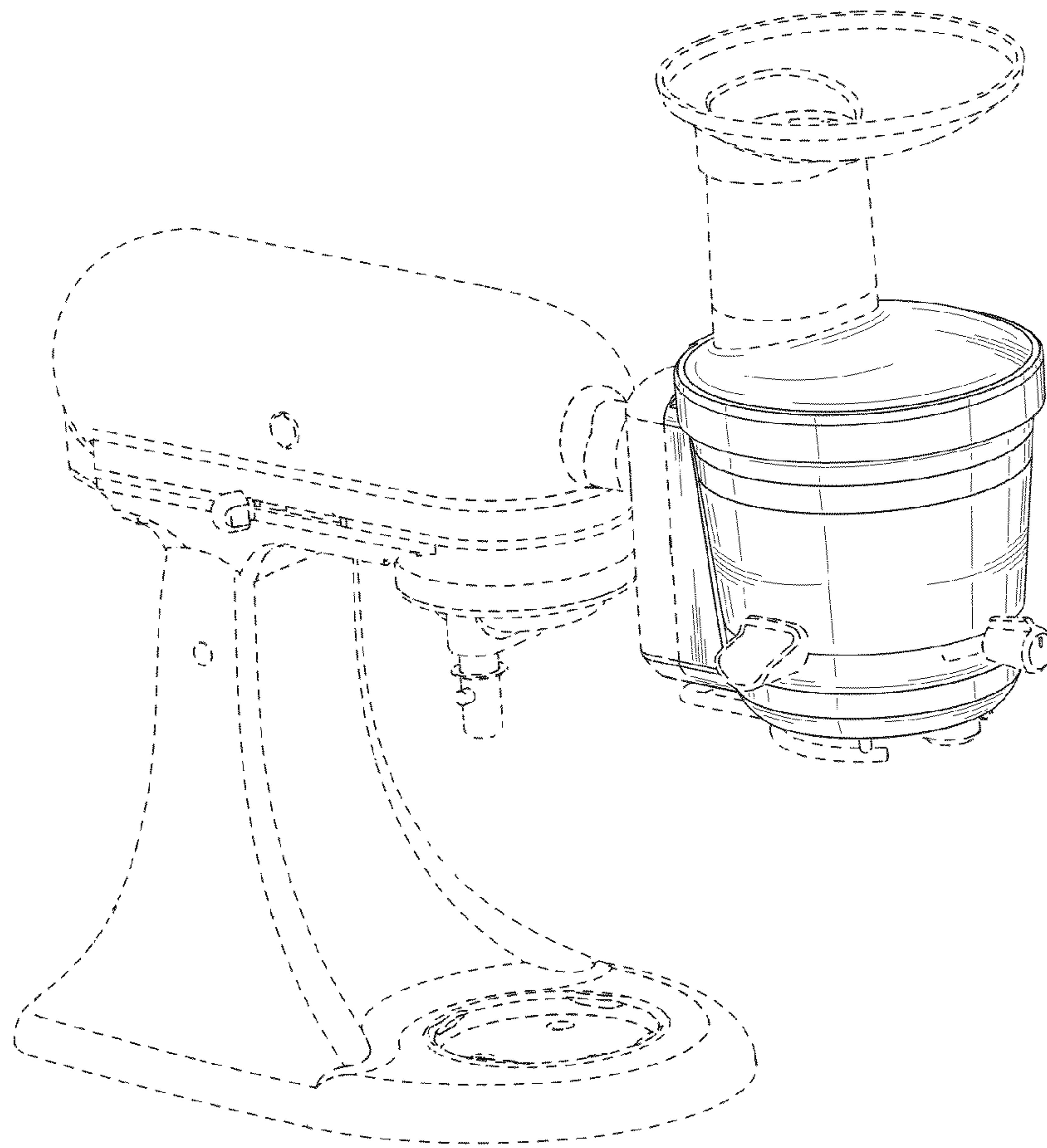


FIG. 1

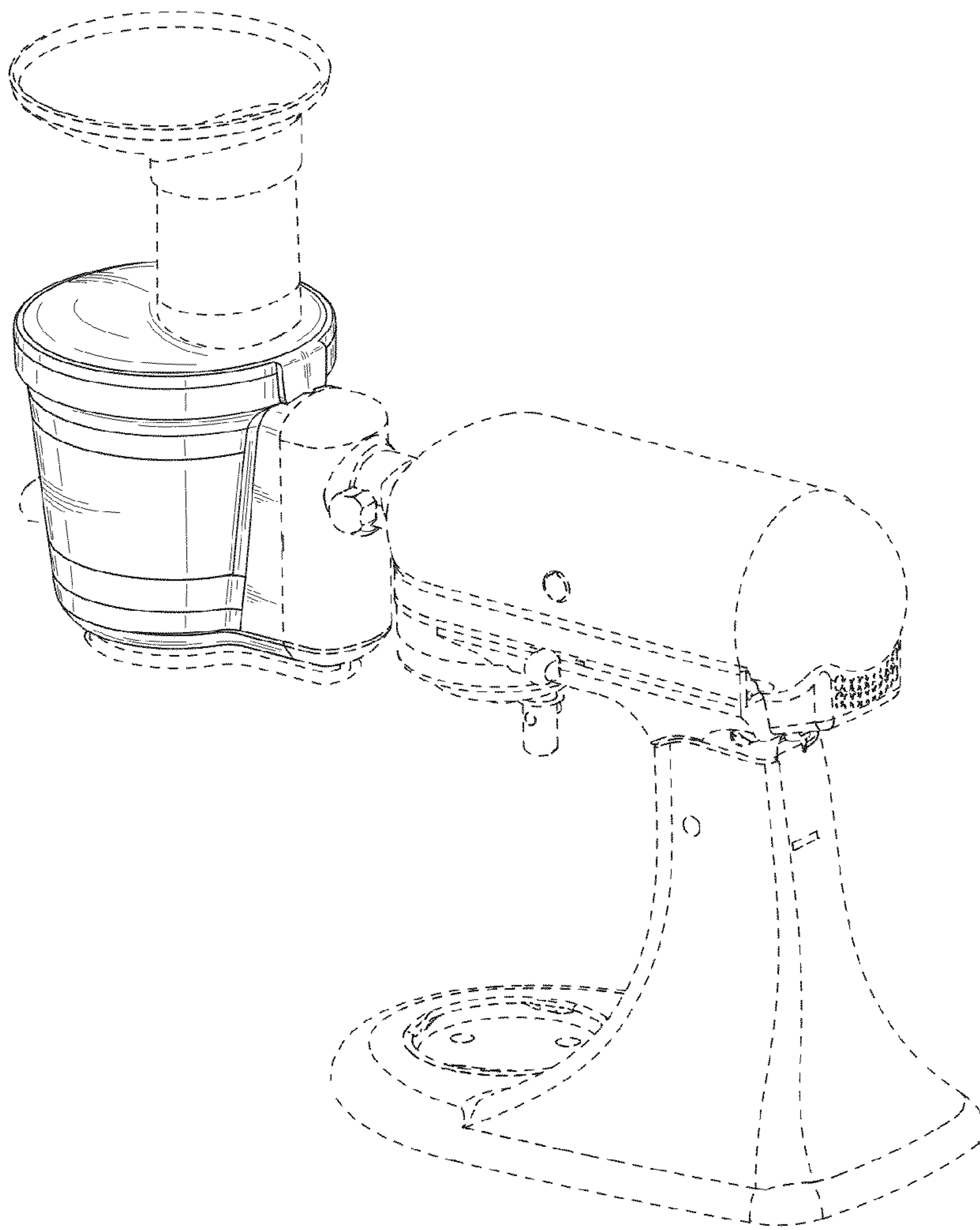


FIG. 2

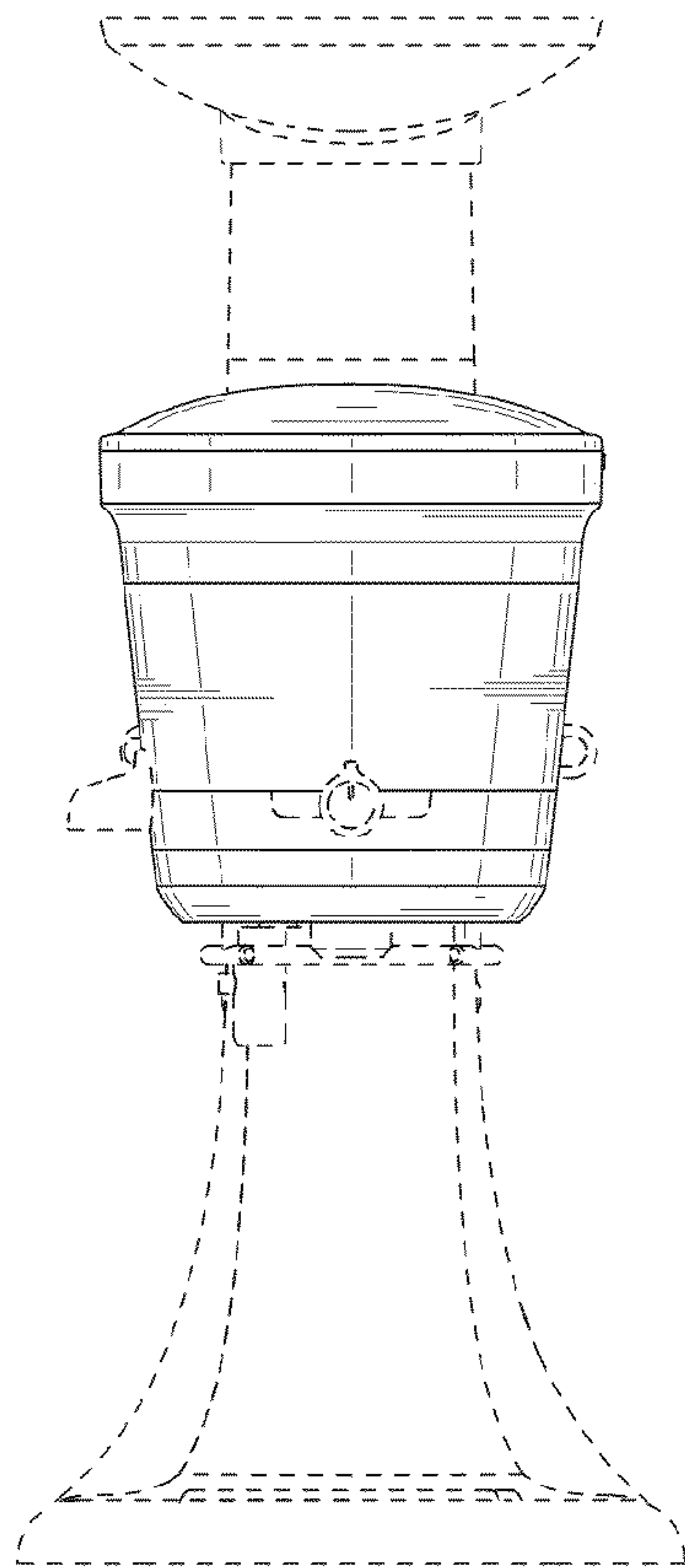


FIG. 3

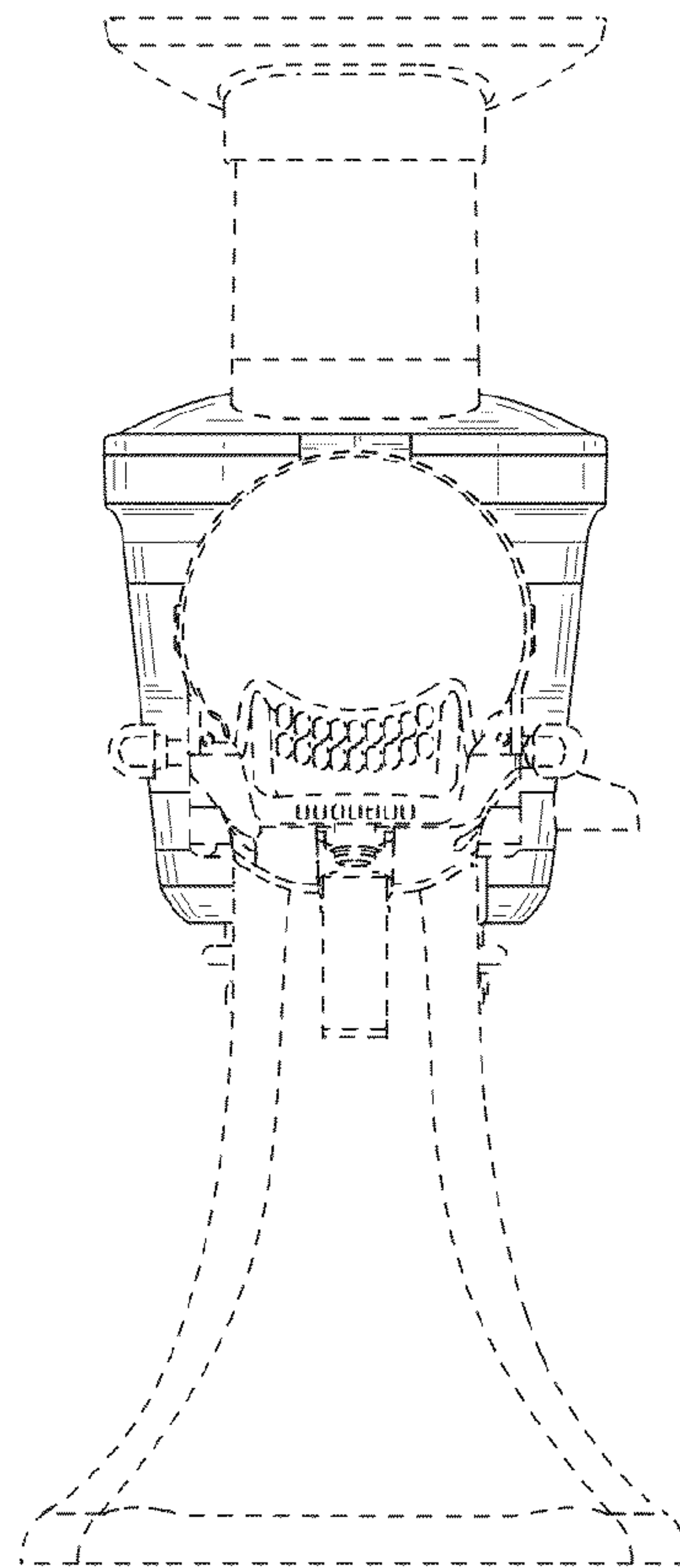


FIG. 4

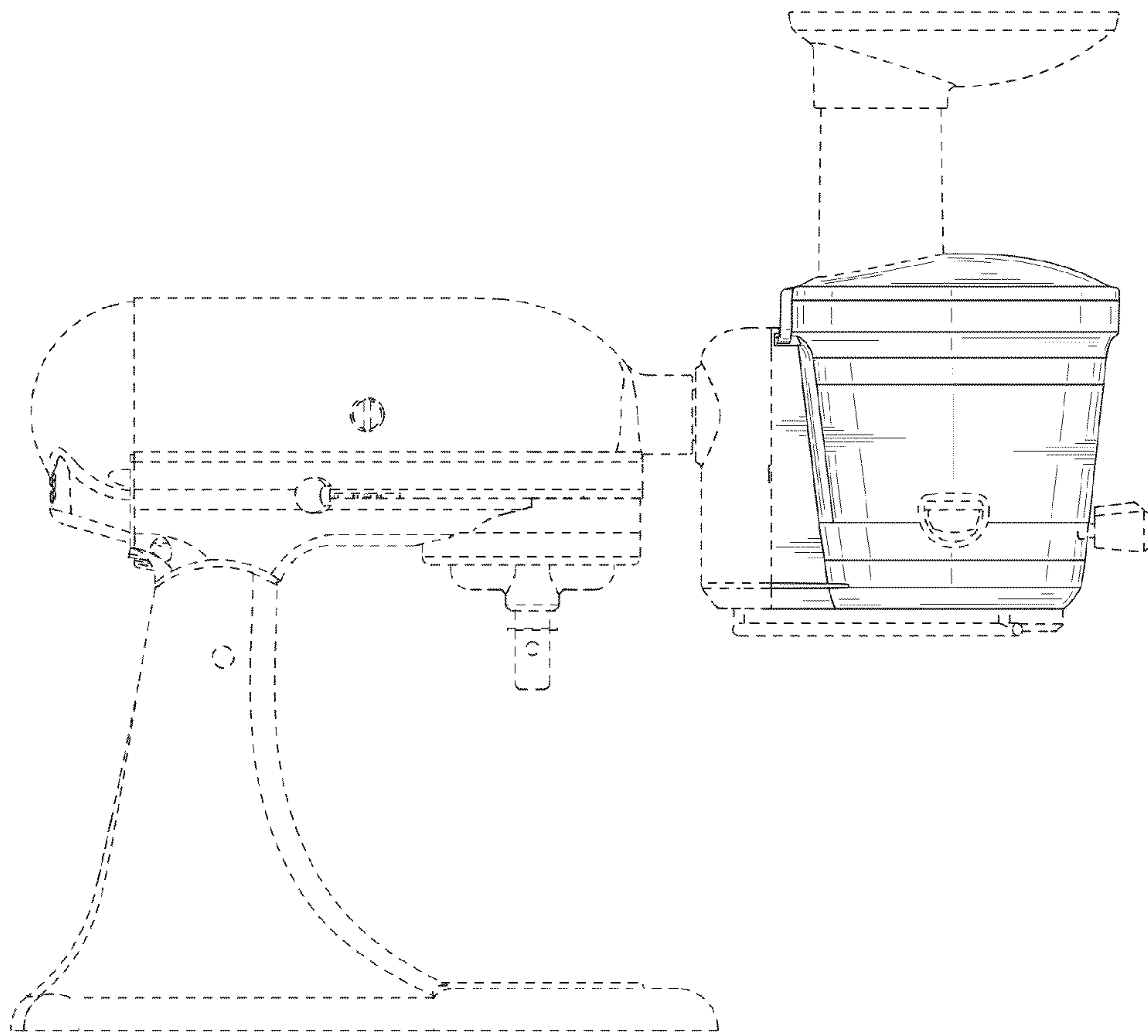


FIG. 5

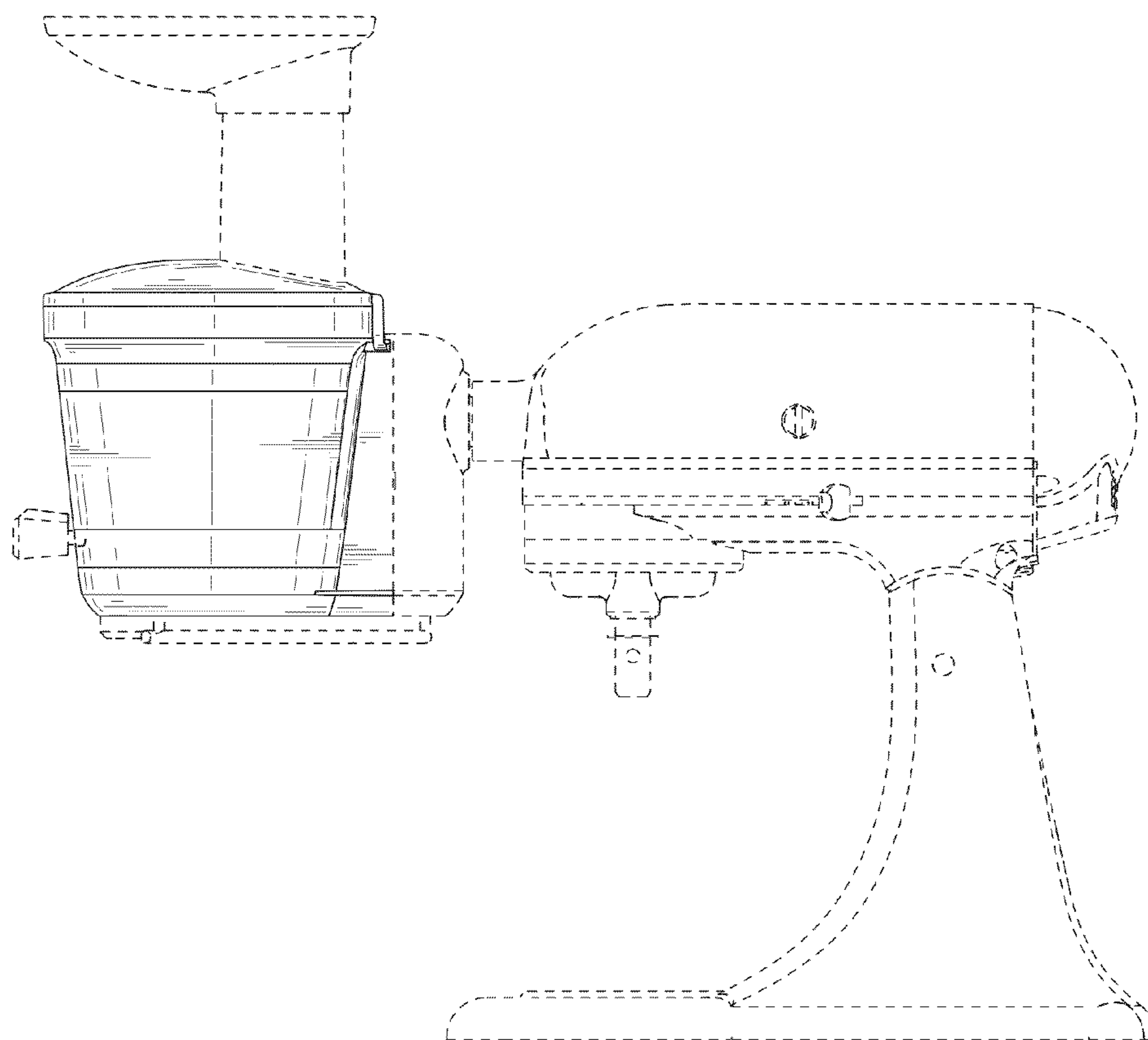


FIG. 6

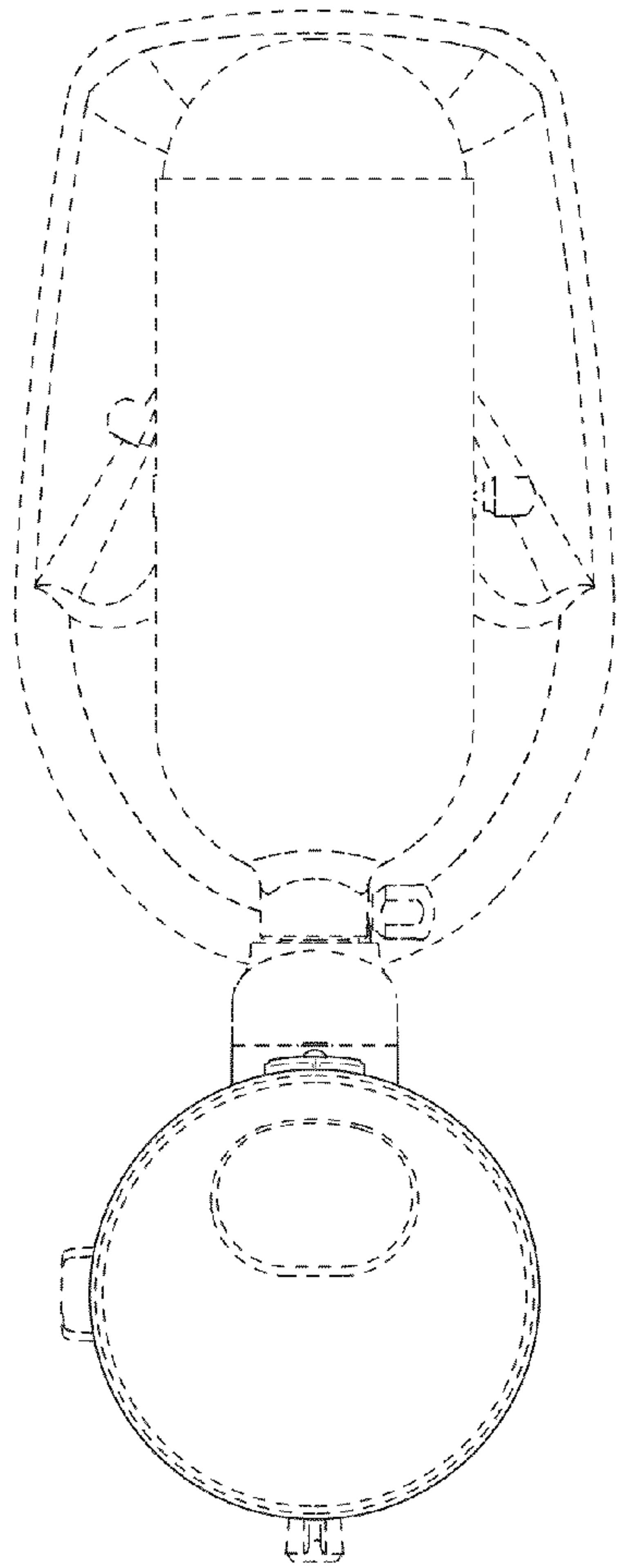


FIG. 7

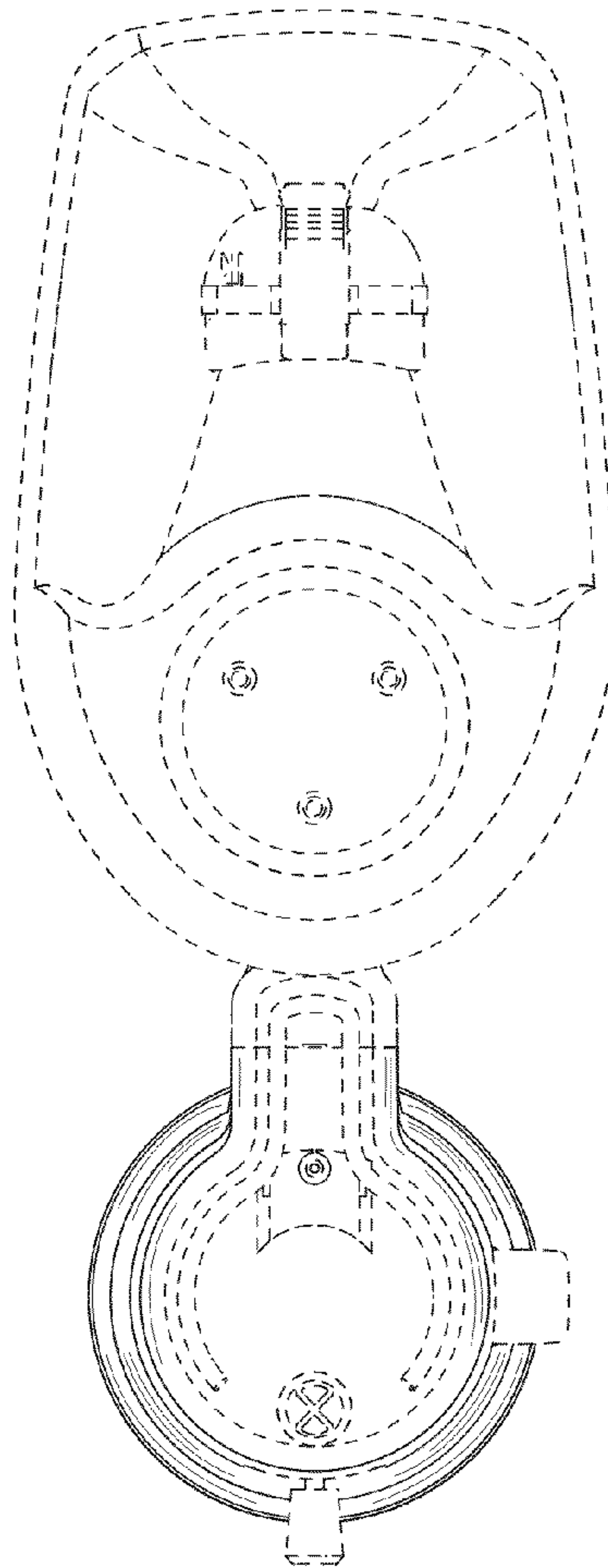


FIG. 8