



US00D739677S

(12) **United States Design Patent**
Du

(10) **Patent No.:** **US D739,677 S**
(45) **Date of Patent:** **** Sep. 29, 2015**

(54) **HEAD OF COFFEE MACHINE**

(71) Applicant: **TSANN KUEN (ZHANGZHOU)**
ENTERPRISE CO., LTD., Zhang
Zhou, Fujian (CN)

(72) Inventor: **Ying Du**, Zhang Zhou (CN)

(73) Assignee: **TSANN KUEN (ZHANGZHOU)**
ENTERPRISE CO., LTD., Zhang Zhou
(CN)

(**) Term: **14 Years**

(21) Appl. No.: **29/487,933**

(22) Filed: **Apr. 14, 2014**

(30) **Foreign Application Priority Data**

Oct. 12, 2013 (CN) 2013 3 0482104

(51) **LOC (10) Cl.** **07-01**

(52) **U.S. Cl.**
USPC **D7/399; D7/311; D7/309**

(58) **Field of Classification Search**
USPC D7/306-311, 305, 300, 313, 399, 398;
99/279, 284, 290, 280, 299, 307, 305,
99/295, 308, 309, 323.1; 222/23, 129.1;
62/395; D20/1; D23/207, 209
CPC A47J 31/44; A47J 31/00; B67D 1/0041;
B67D 3/00

See application file for complete search history.

(56) **References Cited**

U.S. PATENT DOCUMENTS

D577,252 S *	9/2008	Kotoku	D7/399
D586,171 S *	2/2009	Picozza et al.	D7/309
D600,493 S *	9/2009	Pino et al.	D7/309
D620,301 S *	7/2010	Picozza et al.	D7/309
D628,007 S *	11/2010	Di Bitonto et al.	D7/310
D677,510 S *	3/2013	Tetreault	D7/309
D685,600 S *	7/2013	White	D7/309
2007/0295216 A1 *	12/2007	Williamson et al.	99/275

* cited by examiner

Primary Examiner — Marianne Pandozzi

(74) *Attorney, Agent, or Firm* — Rabin & Berdo, P.C.

(57) **CLAIM**

The ornamental design for a head of coffee machine, as shown and described.

DESCRIPTION

FIG. 1 is a front view of a head of coffee machine showing my new design;

FIG. 2 is a rear view thereof;

FIG. 3 is a left side view thereof;

FIG. 4 is a right side view thereof;

FIG. 5 is a top plan view thereof;

FIG. 6 is a bottom plan view thereof;

FIG. 7 is a perspective view thereof;

FIG. 8 is a front view of a second embodiment showing my new design;

FIG. 9 is a rear view thereof;

FIG. 10 is a left side view thereof;

FIG. 11 is a right side view thereof;

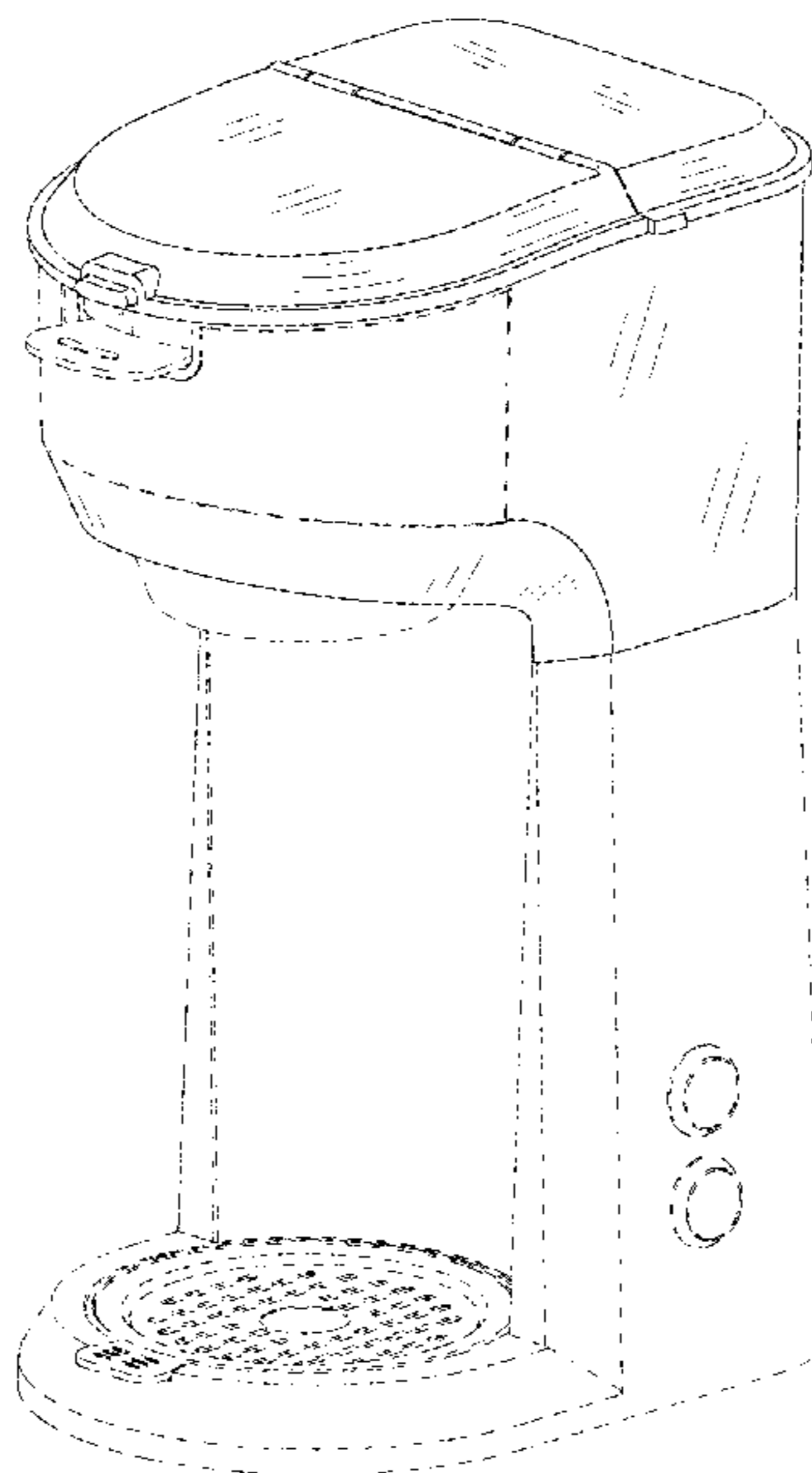
FIG. 12 is a top plan view thereof;

FIG. 13 is a bottom plan view thereof; and,

FIG. 14 is a perspective view thereof.

The broken line showing in Figures is for illustrative purposes only and forms no part of the claimed design.

1 Claim, 14 Drawing Sheets



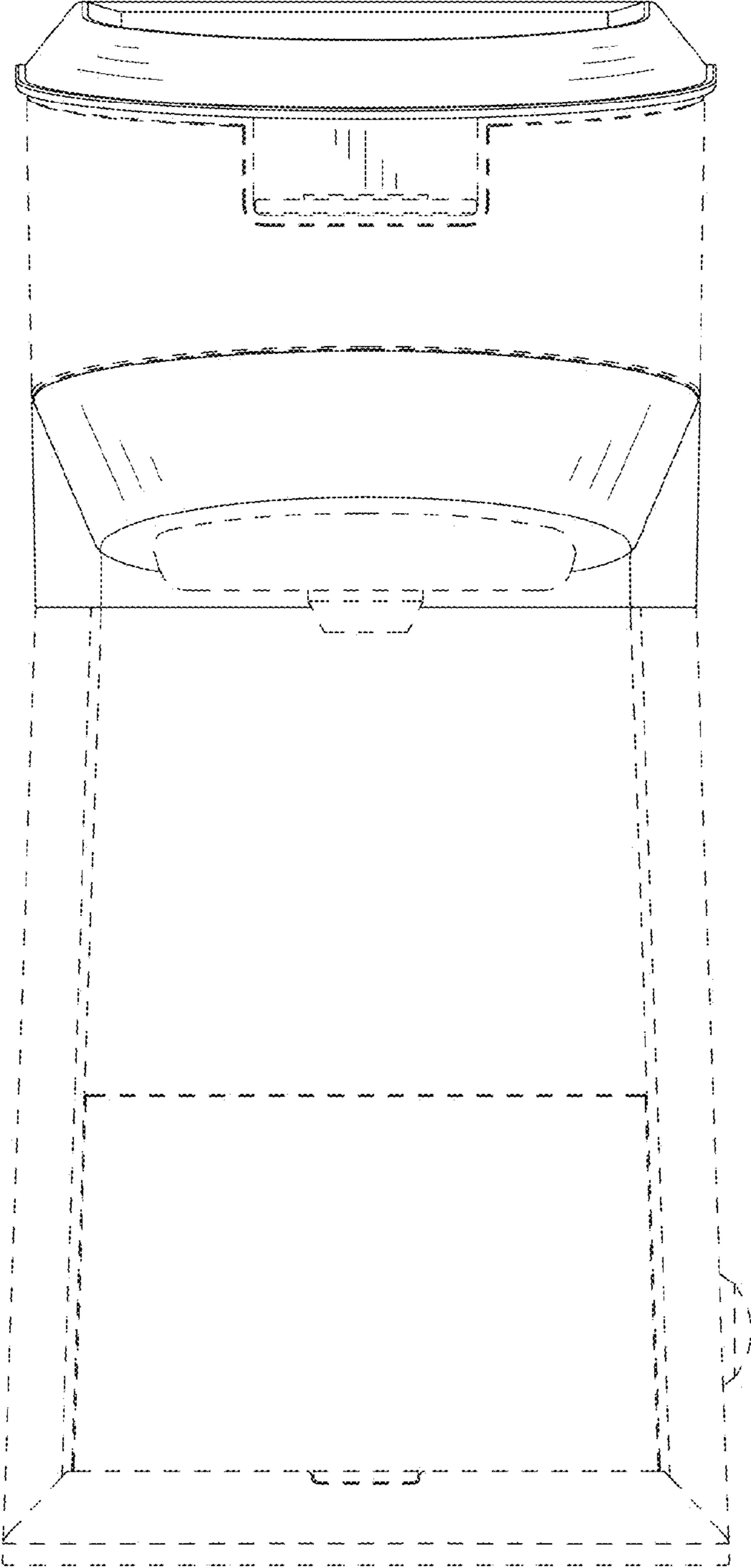


FIG. 1

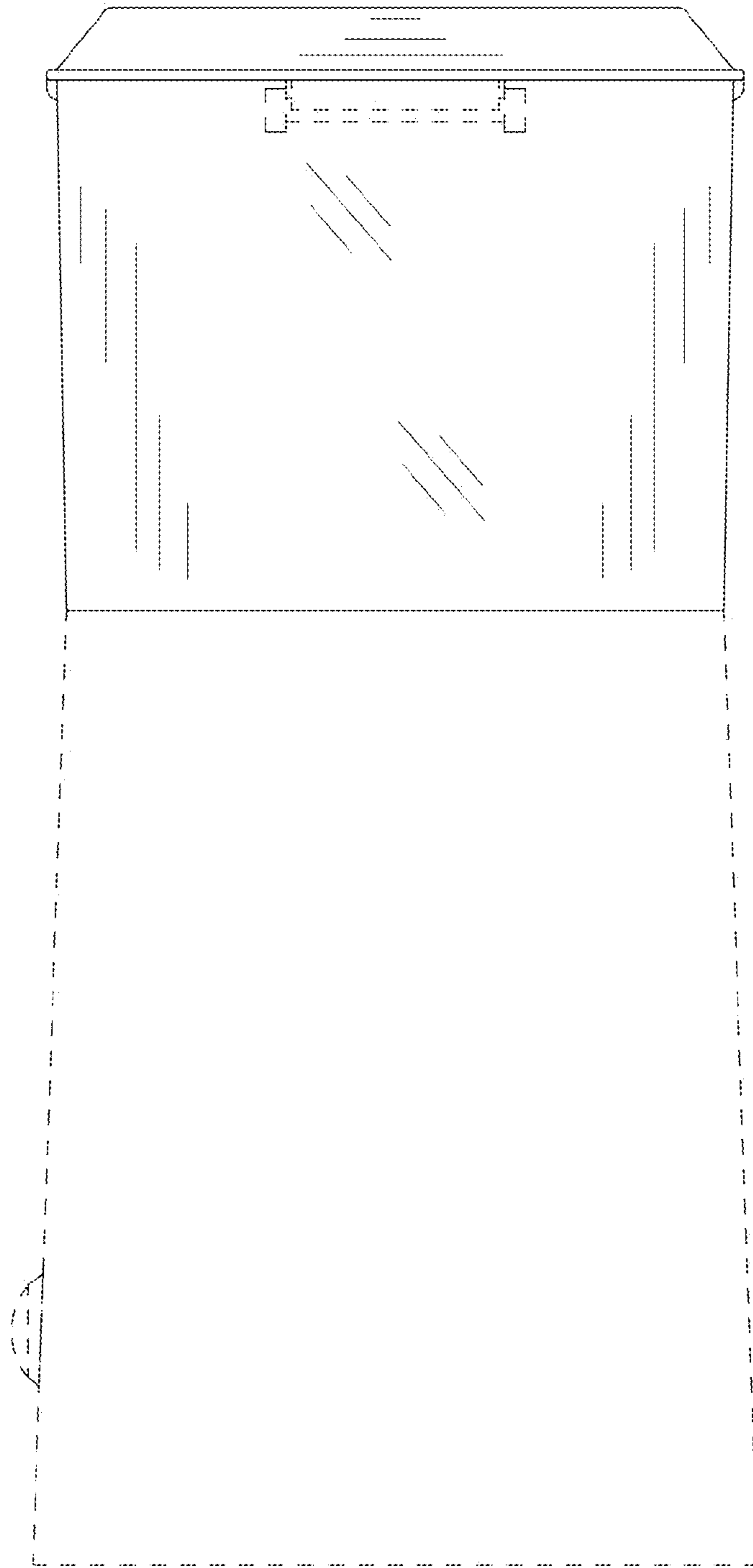


FIG. 2

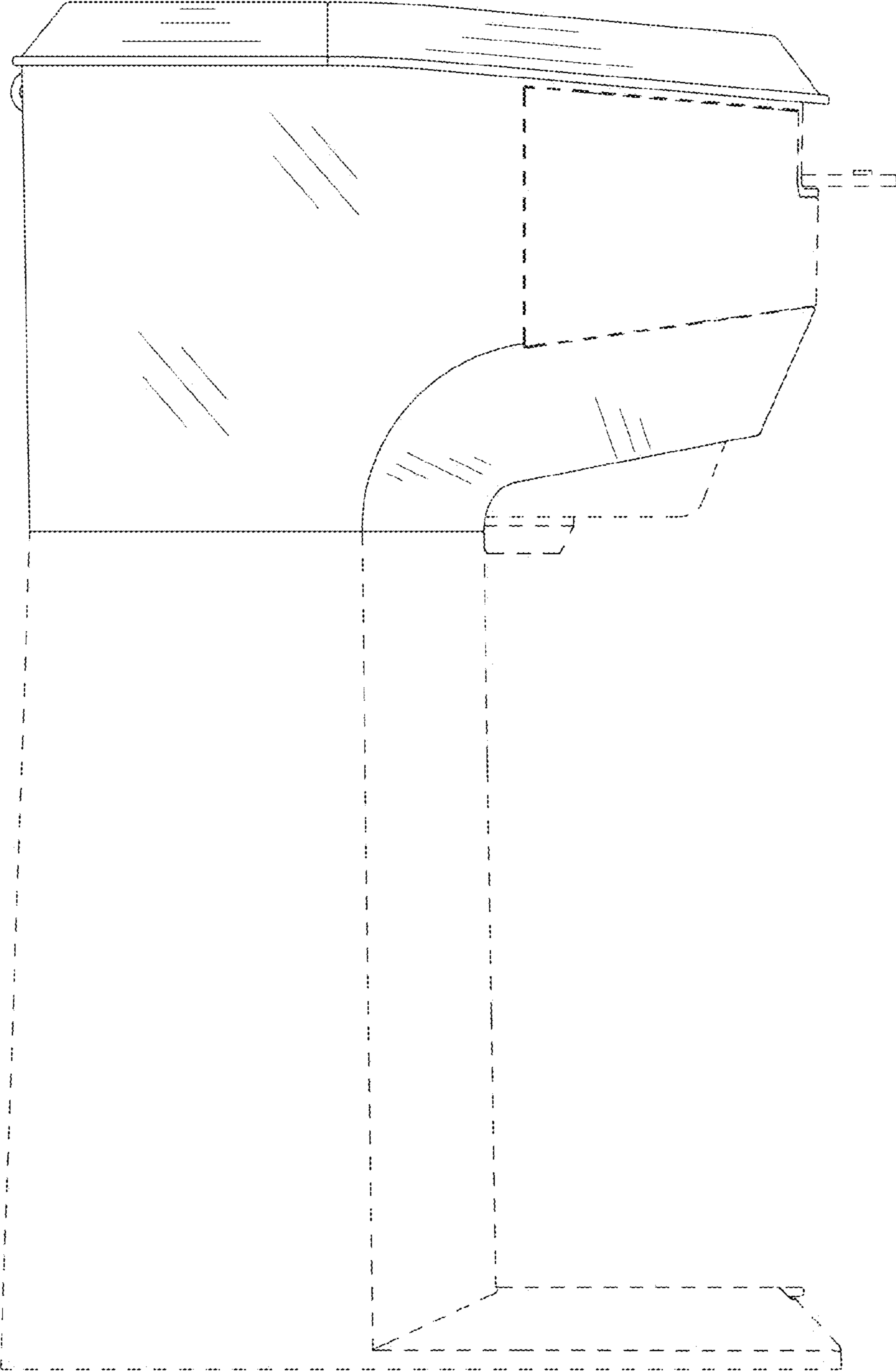


FIG. 3

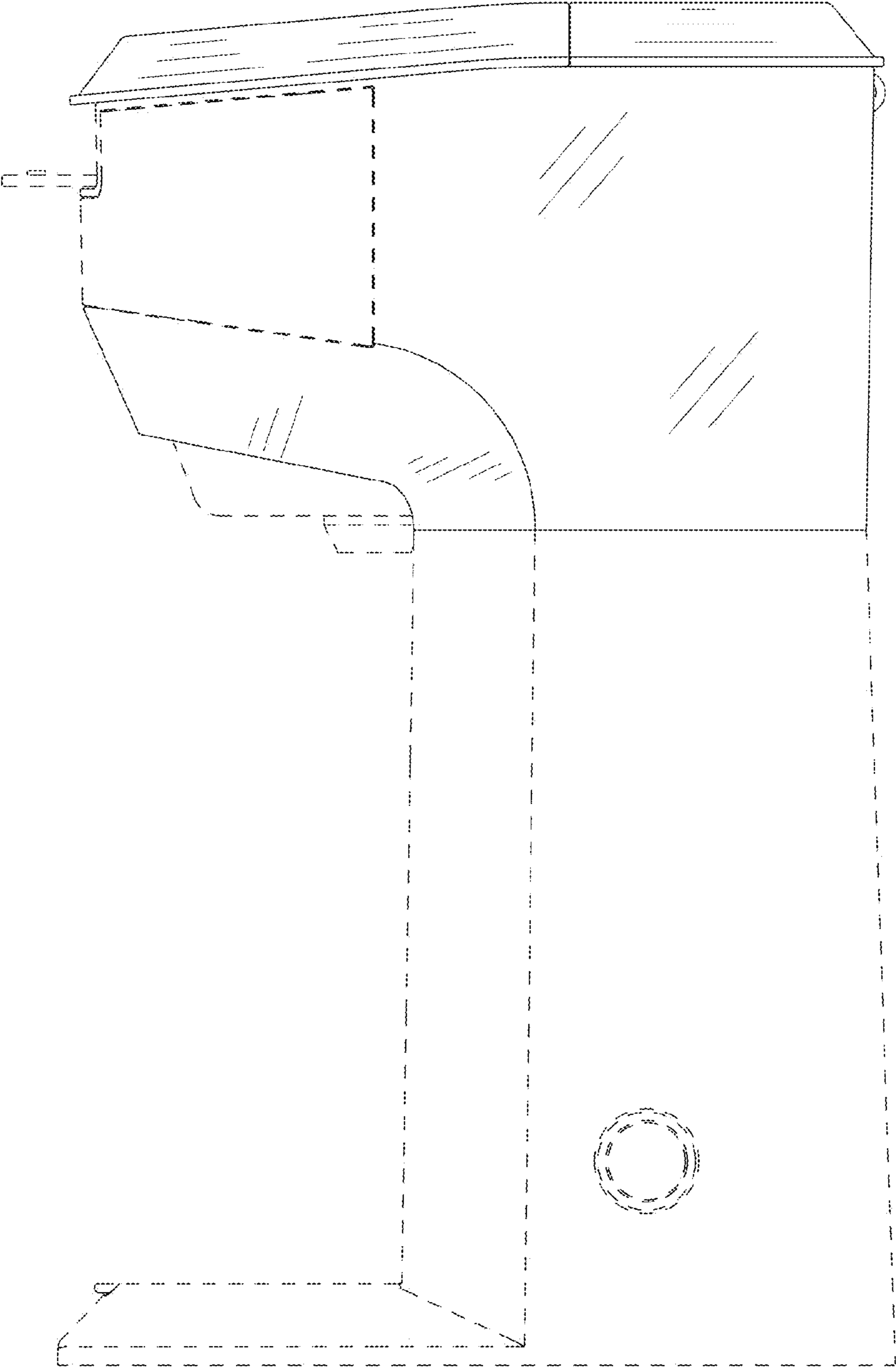


FIG. 4

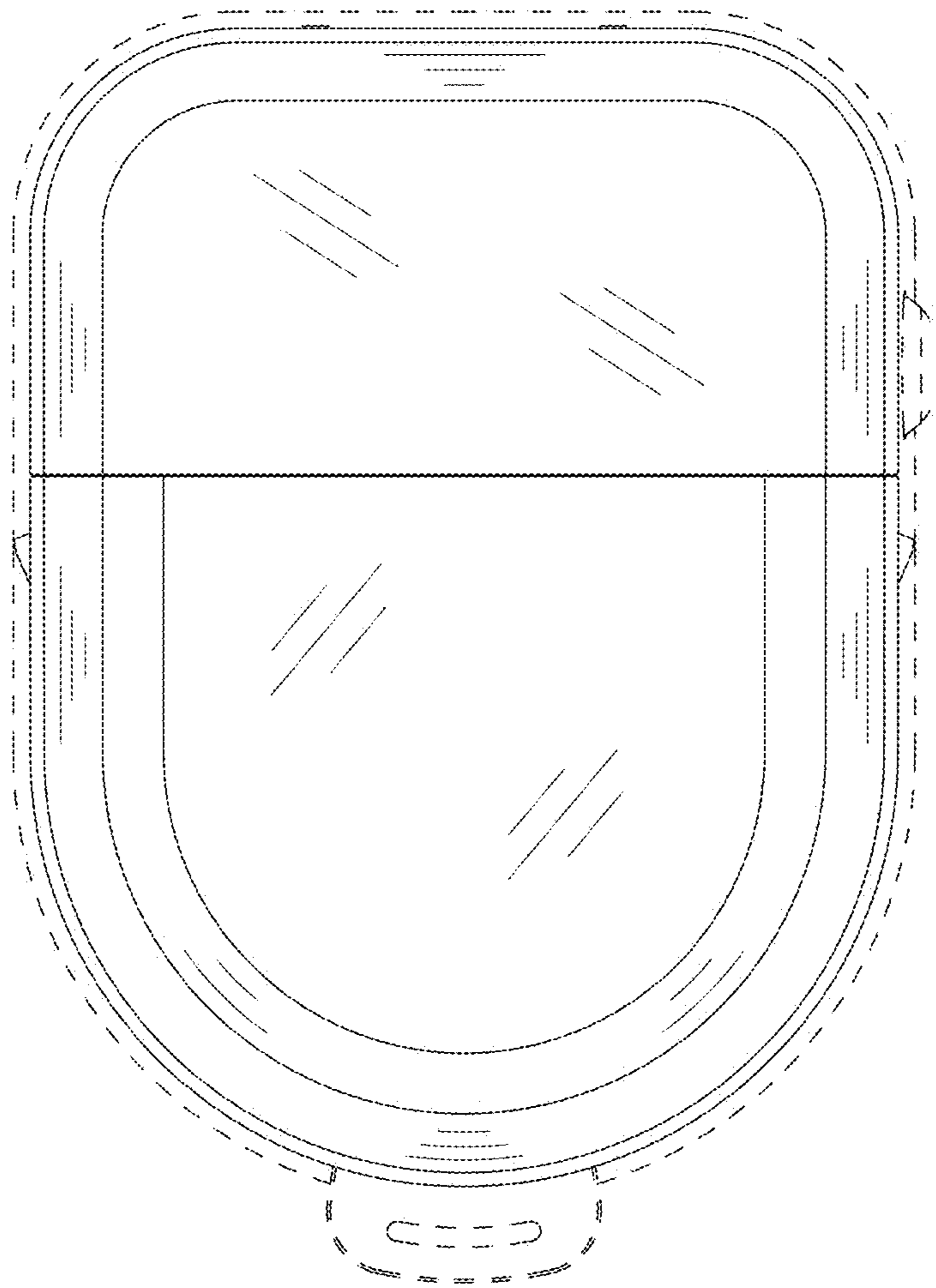


FIG. 5

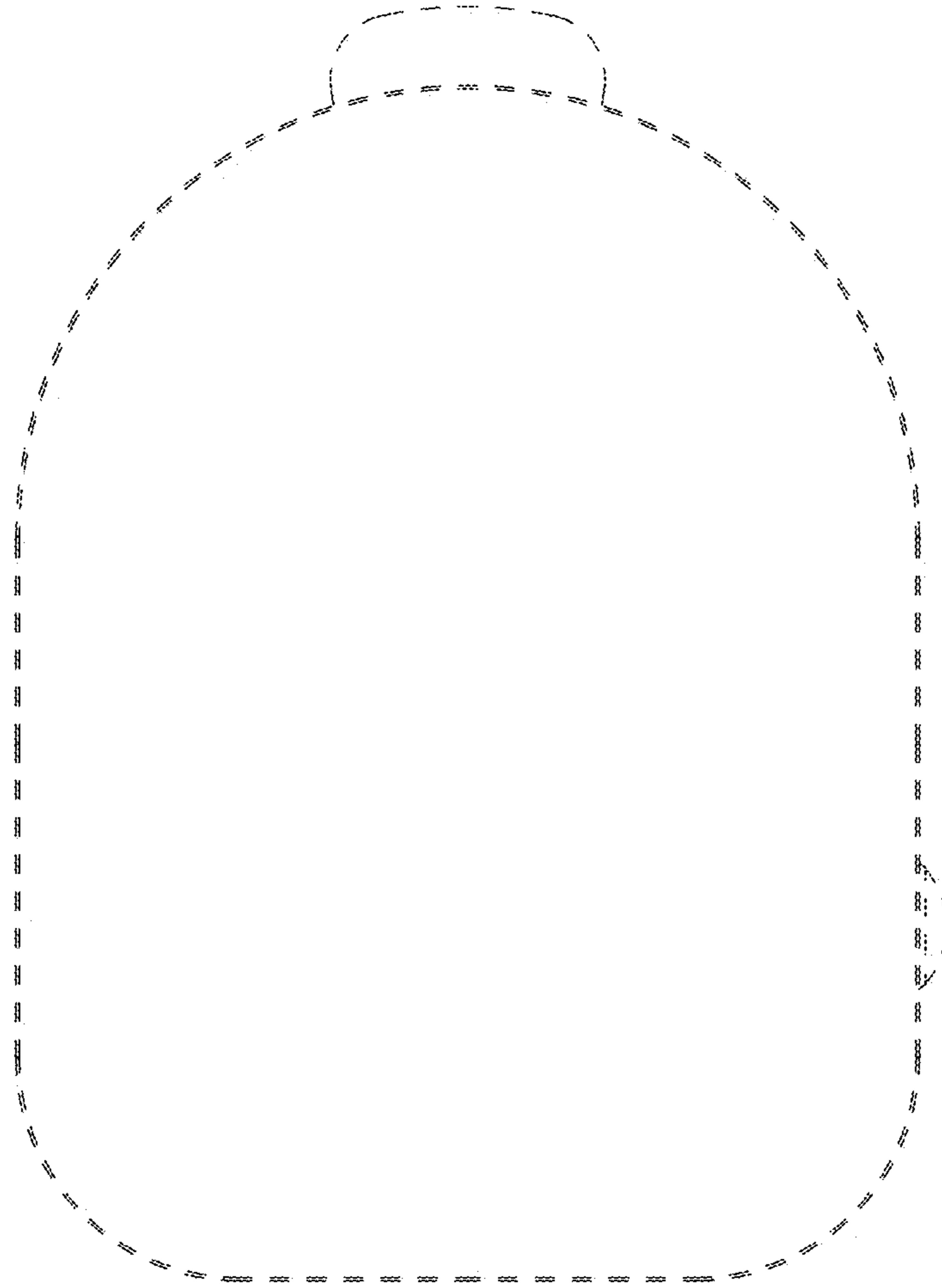


FIG. 6

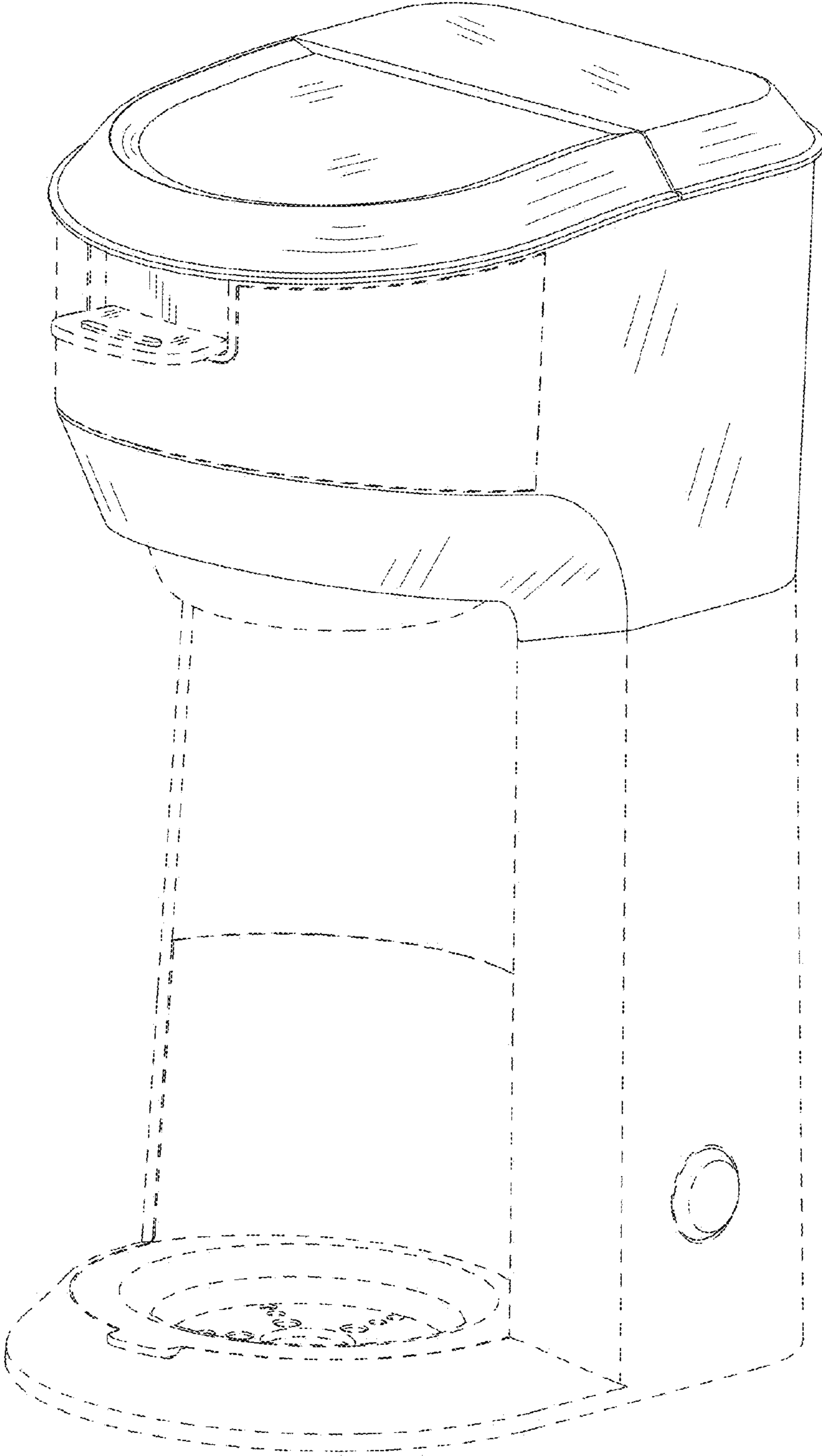


FIG. 7

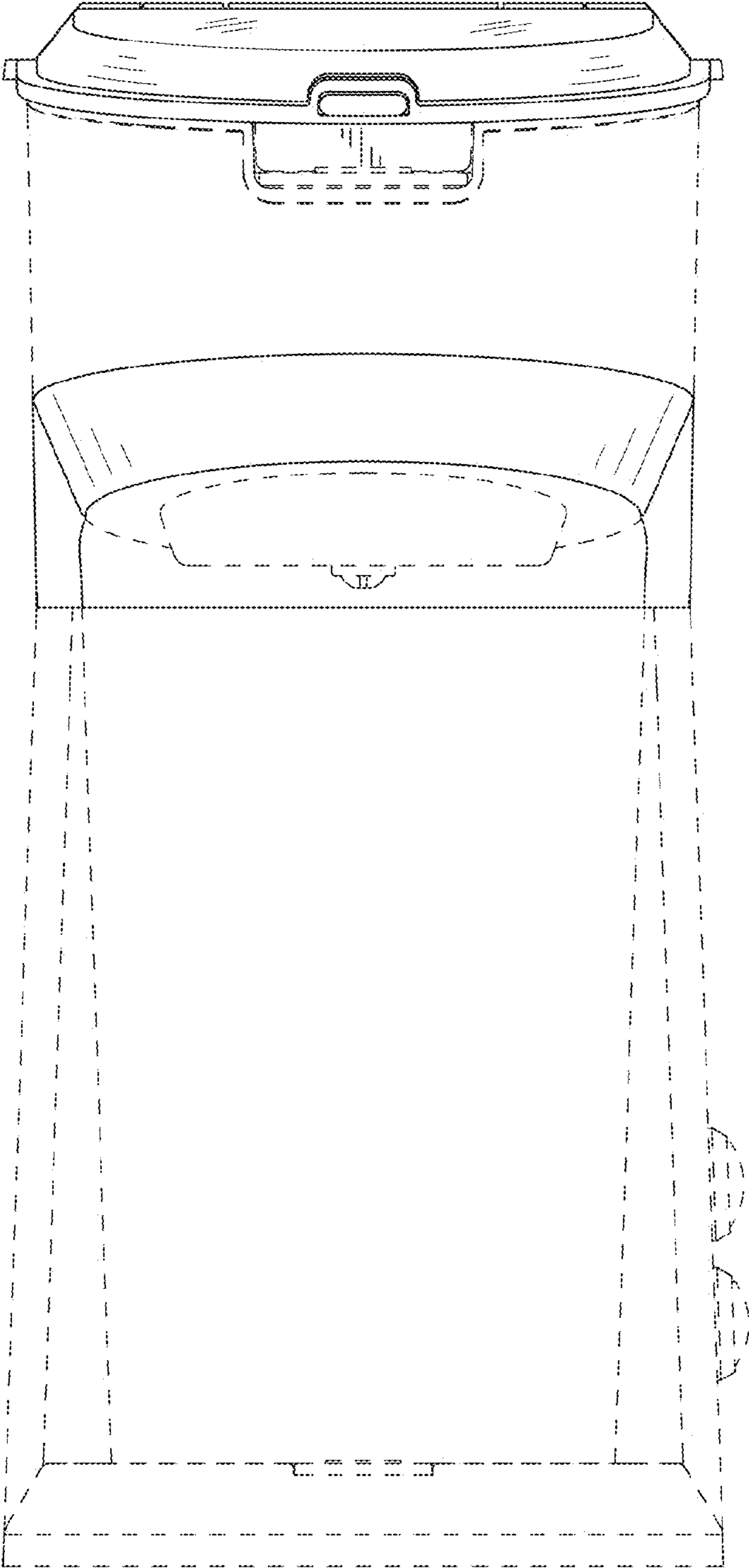


FIG. 8

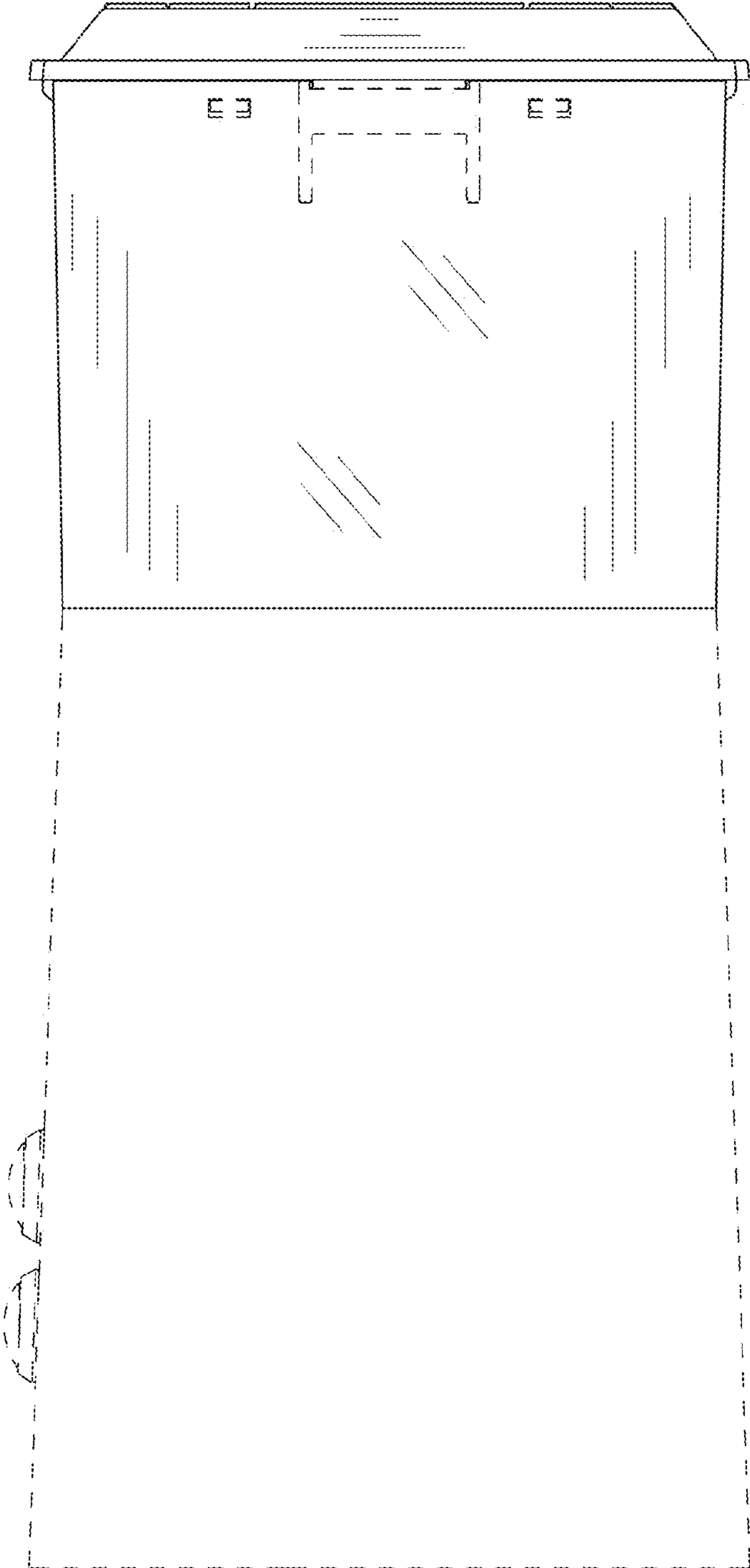


FIG. 9

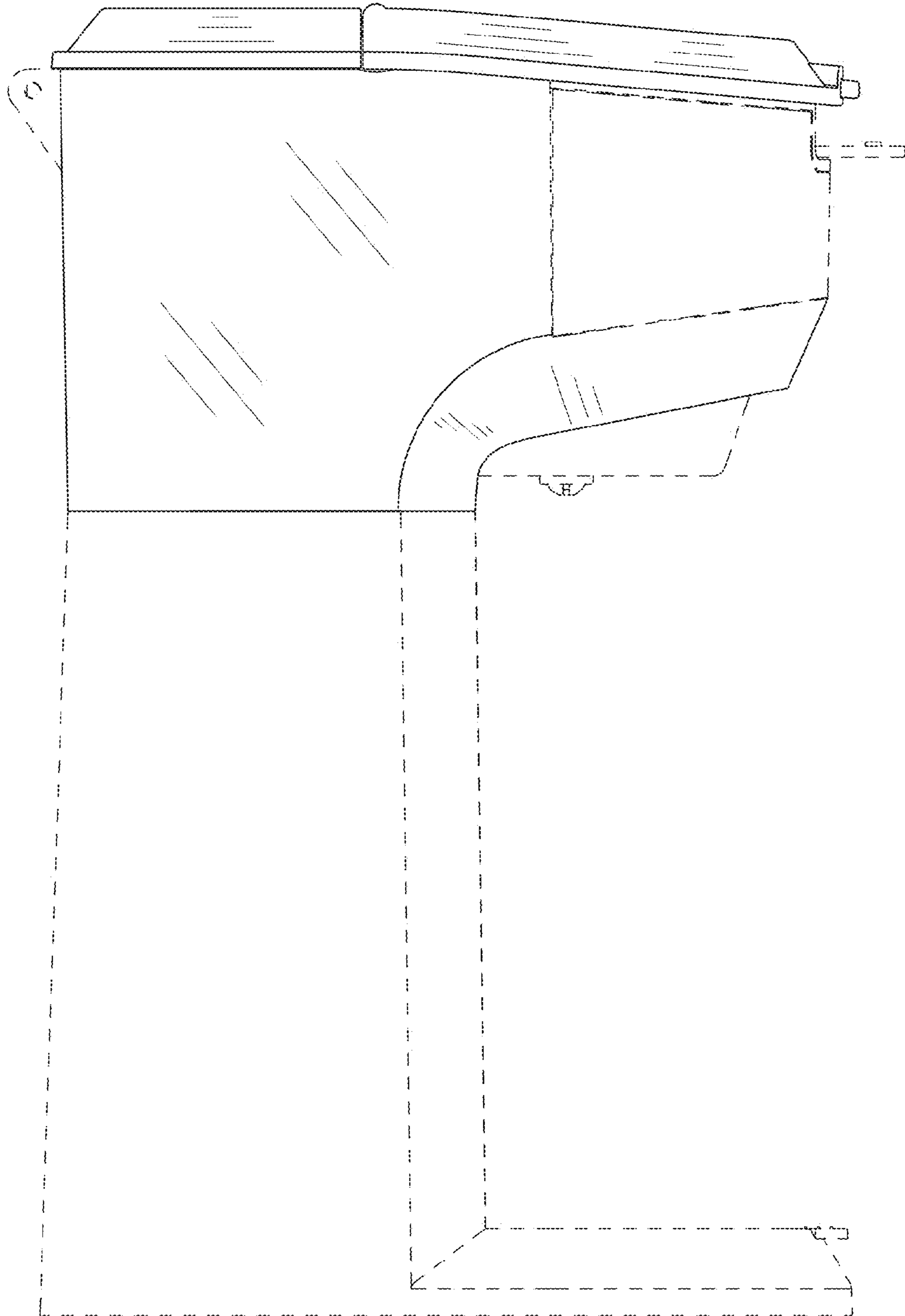


FIG. 10

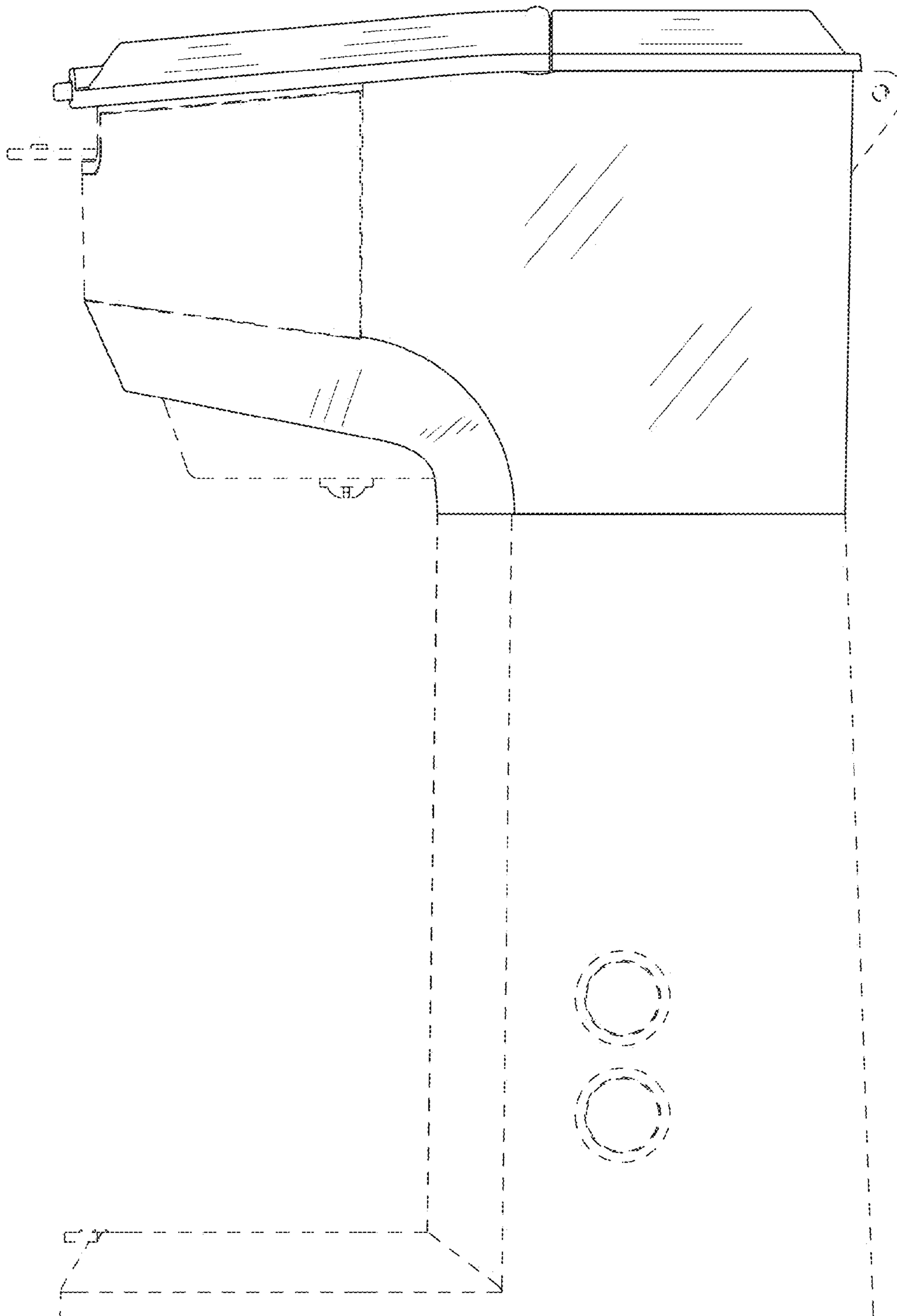


FIG. 11

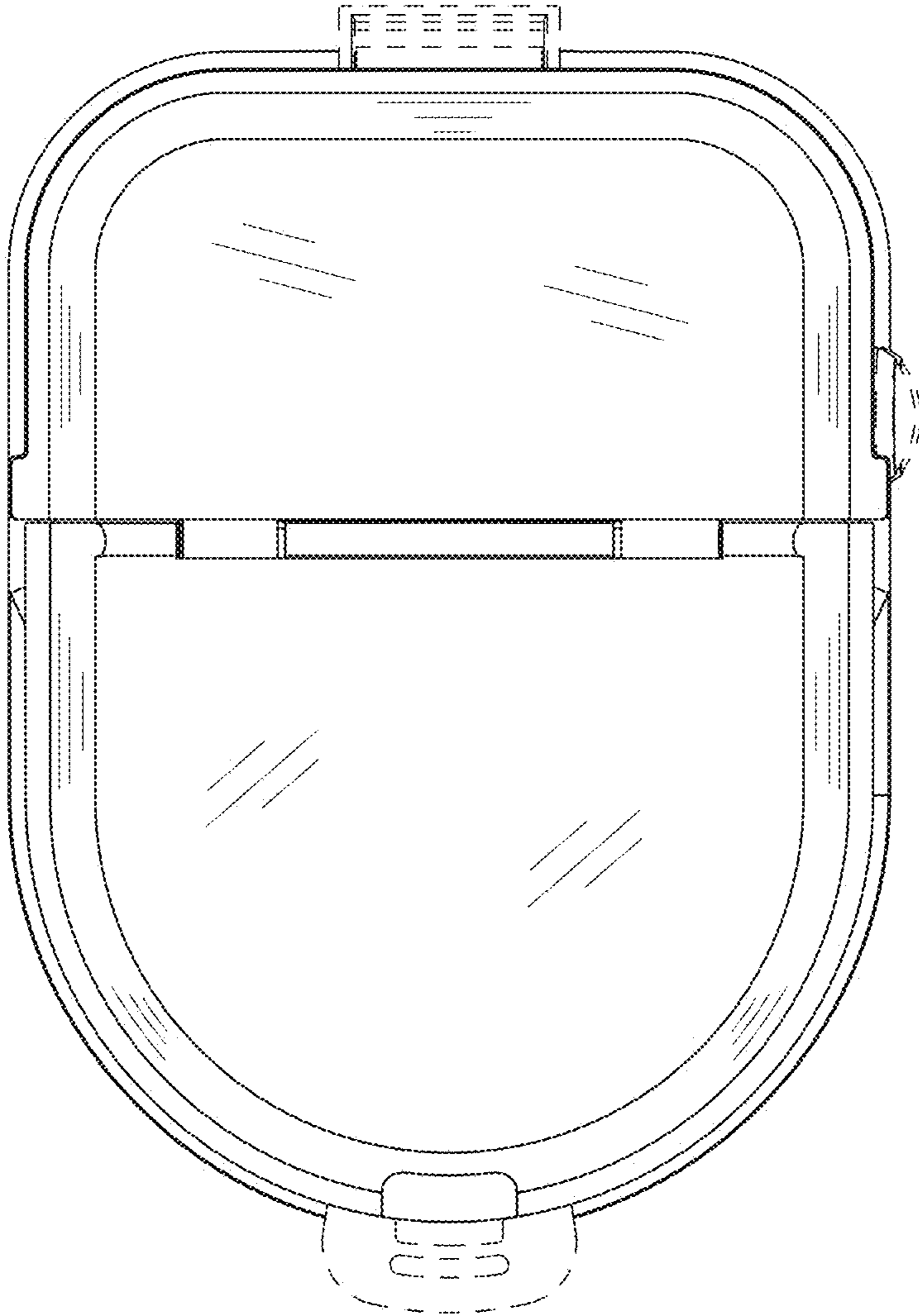


FIG. 12

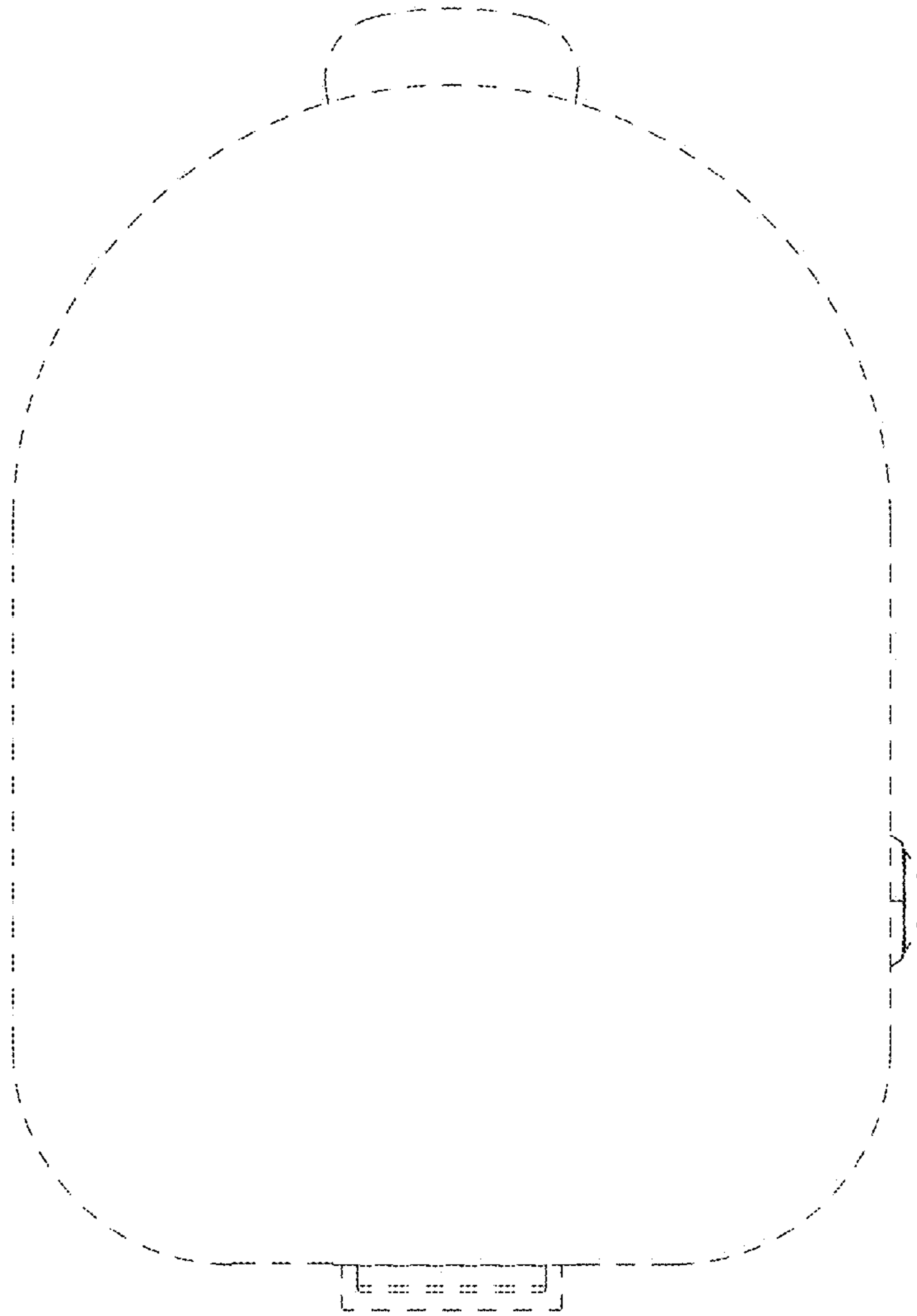


FIG. 13

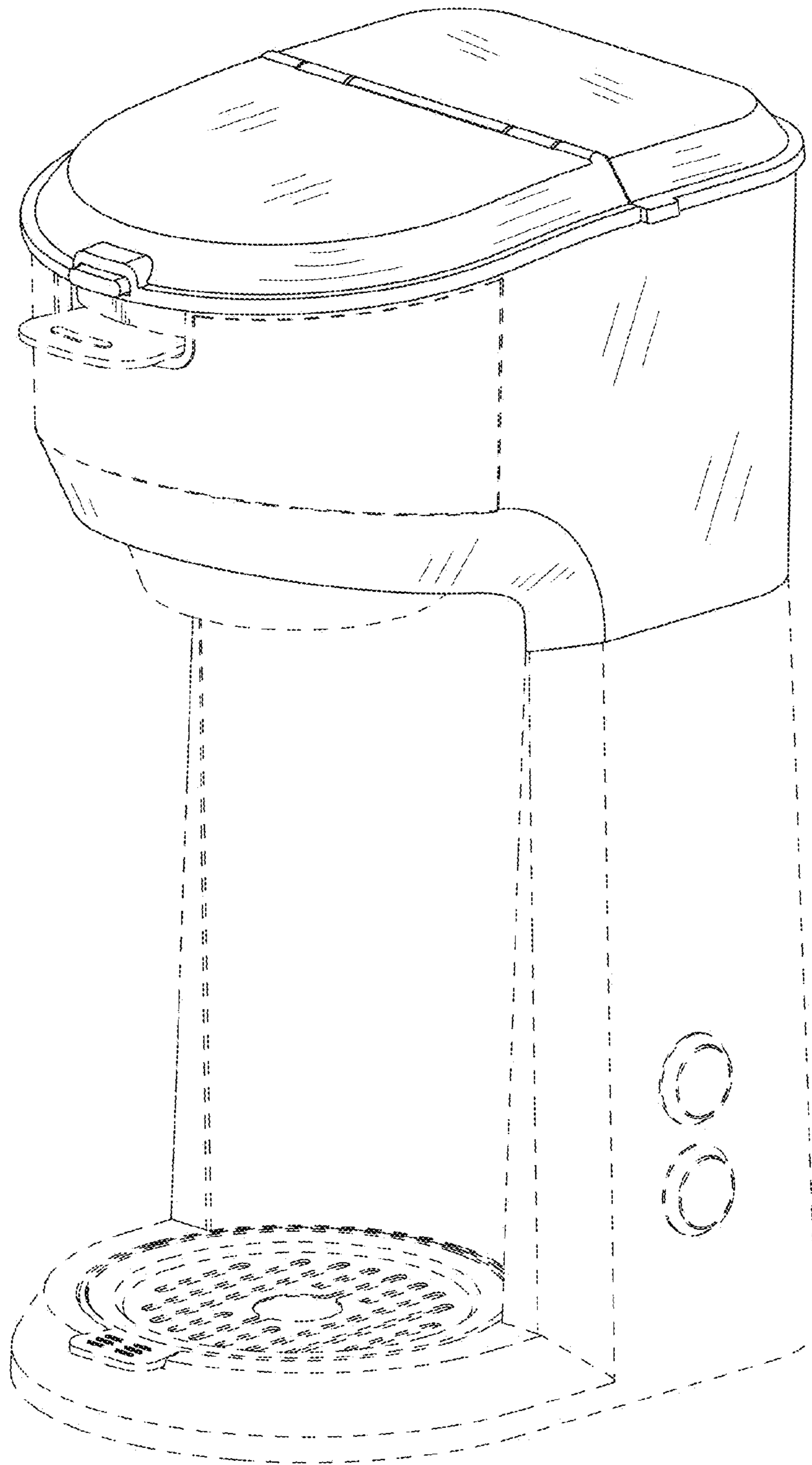


FIG. 14