



US00D739676S

(12) **United States Design Patent**
Yessin

(10) **Patent No.:** **US D739,676 S**
(45) **Date of Patent:** **** Sep. 29, 2015**

(54) **HINGED SPOUT CAP**

(71) Applicant: **Dart Industries Inc.**, Orlando, FL (US)

(72) Inventor: **Julie L. Yessin**, Orlando, FL (US)

(73) Assignee: **Dart Industries Inc.**, Orlando, FL (US)

(**) Term: **14 Years**

(21) Appl. No.: **29/483,438**

(22) Filed: **Feb. 28, 2014**

(51) **LOC (10) Cl.** **07-01**

(52) **U.S. Cl.**
USPC **D7/398**; D9/435

(58) **Field of Classification Search**
USPC D7/391, 392, 392.1, 393, 397, 538, 602,
D7/629, 705; D9/424, 428, 430, 432, 435,
D9/443, 449, 452, 453, 504, 711, 715;
220/212, 213, 231, 260, 287, 305, 574,
220/660, 675, 700, 781, 782, 783, 790, 791,
220/794; 215/10, 390, 391; 222/465.1,
222/475.1
CPC A47J 36/06
See application file for complete search history.

(56) **References Cited**

U.S. PATENT DOCUMENTS

D167,142 S * 7/1952 Goldrosen D7/392

D170,840 S 11/1953 Tupper

D180,049 S 4/1957 Tupper

D198,272 S 5/1964 Swett

D199,505 S 11/1964 Swett

3,297,208 A 1/1967 Swett

D208,935 S 10/1967 Marien et al.

D209,074 S 10/1967 Swett

3,820,692 A 6/1974 Swett et al.

D233,116 S 10/1974 Swett et al.

D247,848 S 5/1978 Croyle

D277,724 S 2/1985 Daenen et al.

D278,115 S 3/1985 Leininger

D312,552 S * 12/1990 Carlson D7/321

D314,708 S 2/1991 DeCoster

D321,624 S * 11/1991 Fiore et al. D7/321

D412,640 S * 8/1999 Much D7/392

D421,547 S 3/2000 Demers

6,068,153 A * 5/2000 Young et al. 220/254.3

D428,763 S 8/2000 Hashimoto

D432,204 S * 10/2000 Brady D23/209

D482,936 S 12/2003 Miller et al.

D506,639 S 6/2005 Jalet

D513,916 S * 1/2006 Namee D7/300.1

D532,650 S 11/2006 de Groote

D545,619 S 7/2007 Jalet

D552,929 S 10/2007 de Groote

D609,092 S 2/2010 Laib et al.

D632,521 S * 2/2011 Wahl D7/392.1

D640,555 S * 6/2011 Williams et al. D9/449

D647,532 S * 10/2011 Busch D14/480.3

D676,320 S * 2/2013 Richards et al. D9/449

(Continued)

Primary Examiner — Robert M Spear
Assistant Examiner — Kendra L Hamilton
 (74) *Attorney, Agent, or Firm* — Taylor J. Ross

(57) **CLAIM**
 The ornamental design for a hinged spout cap, as shown and described.

DESCRIPTION

This application is related to co-pending application Ser. No. 29/483,433, filed Feb. 28, 2014, which is incorporated by reference herein

FIG. 1 is a top, side and front perspective view of a hinged spout cap showing my new design;

FIG. 2 is a top plan view thereof;

FIG. 3 is a bottom plan view thereof;

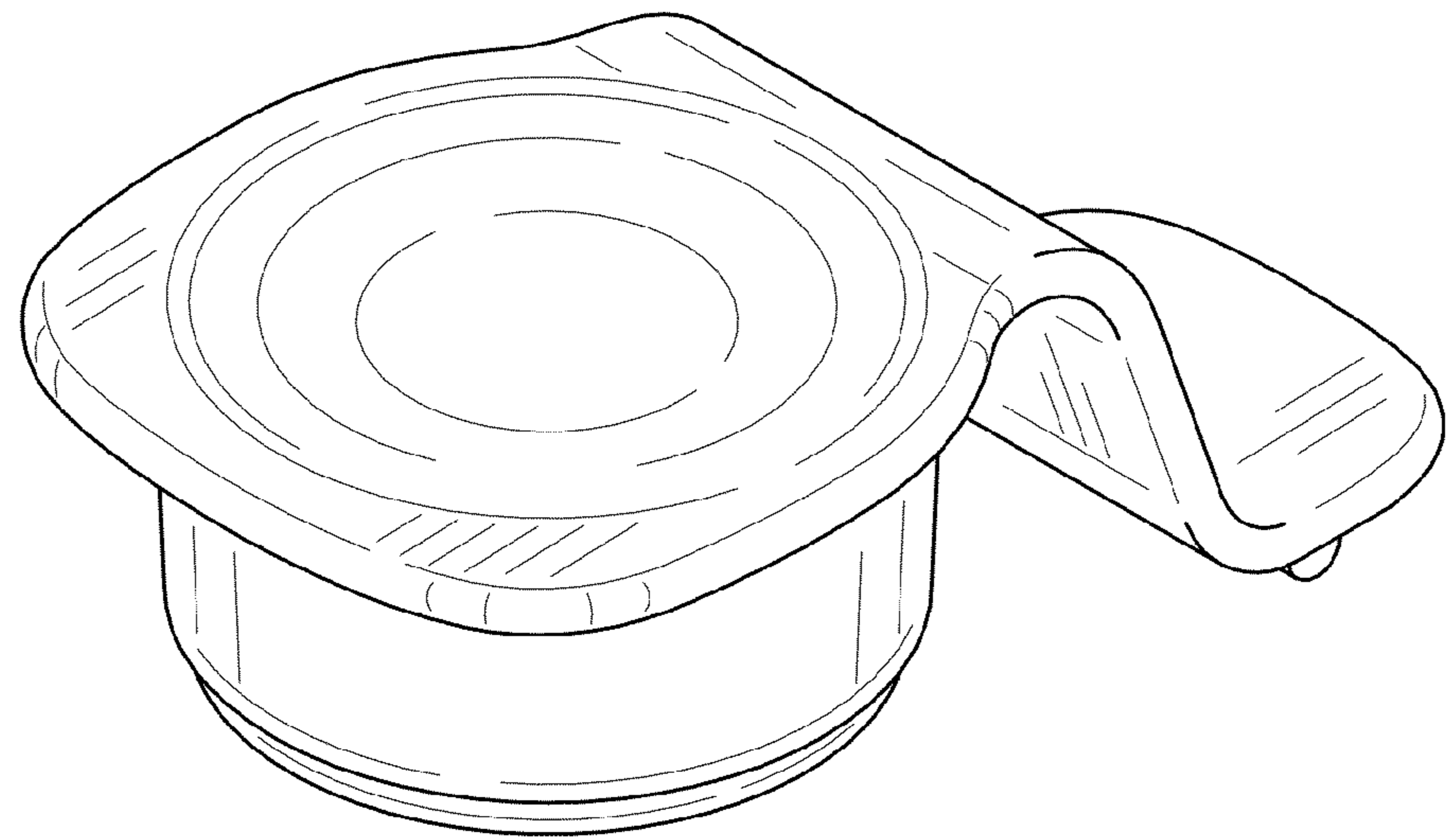
FIG. 4 is a front elevation view thereof;

FIG. 5 is a rear elevation view thereof;

FIG. 6 is a left side elevation view, the right side being a mirror image thereof; and,

FIG. 7 is a cross-sectional view taken along line 7-7 of FIG. 2.

1 Claim, 2 Drawing Sheets



US D739,676 S

Page 2

(56)

References Cited

U.S. PATENT DOCUMENTS

D699,996 S 2/2014 De Leo

D714,584 S * 10/2014 Boroski D7/392

D682,016 S * 5/2013 Knight D7/392.1 * cited by examiner

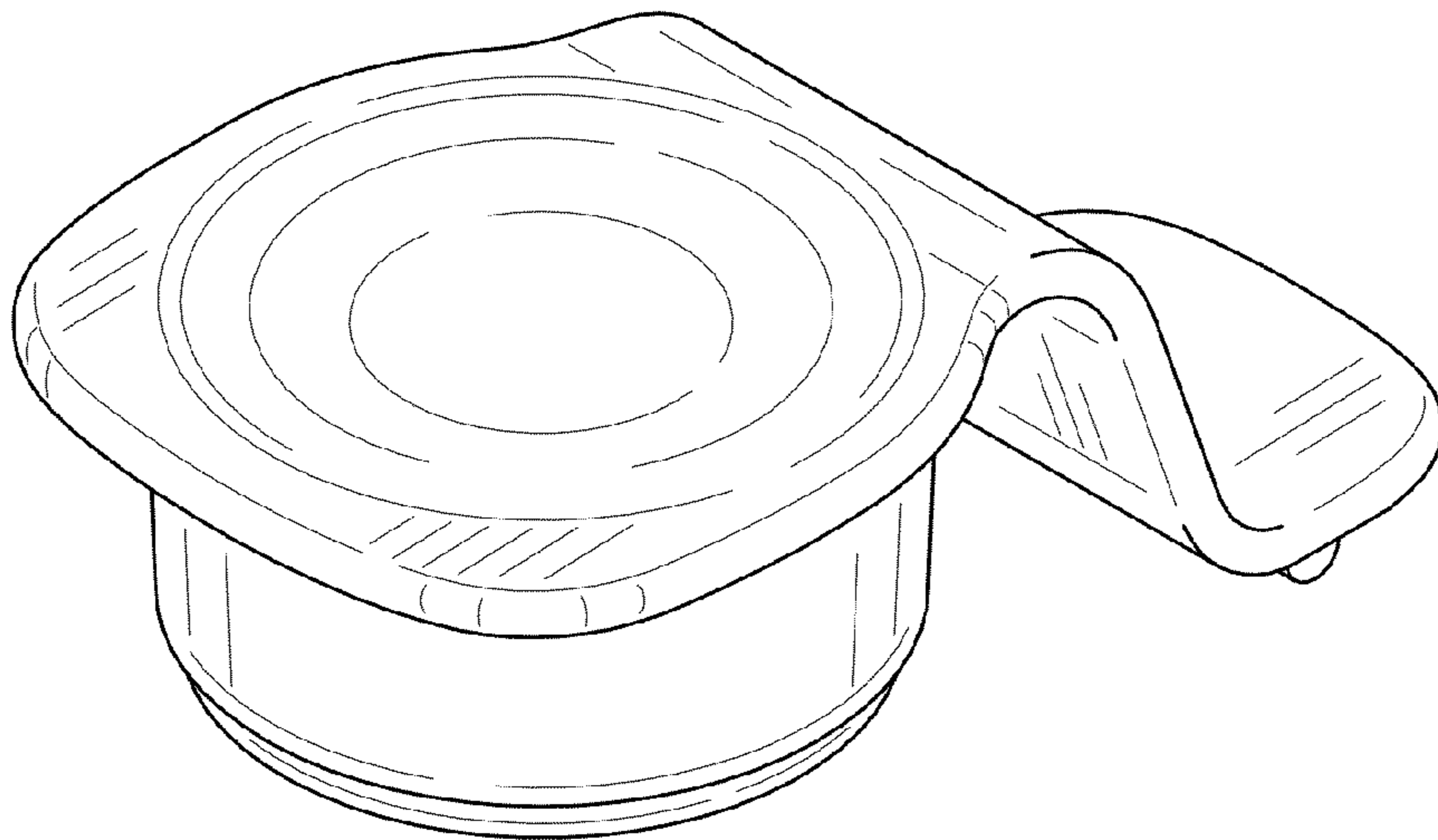


FIG. 1

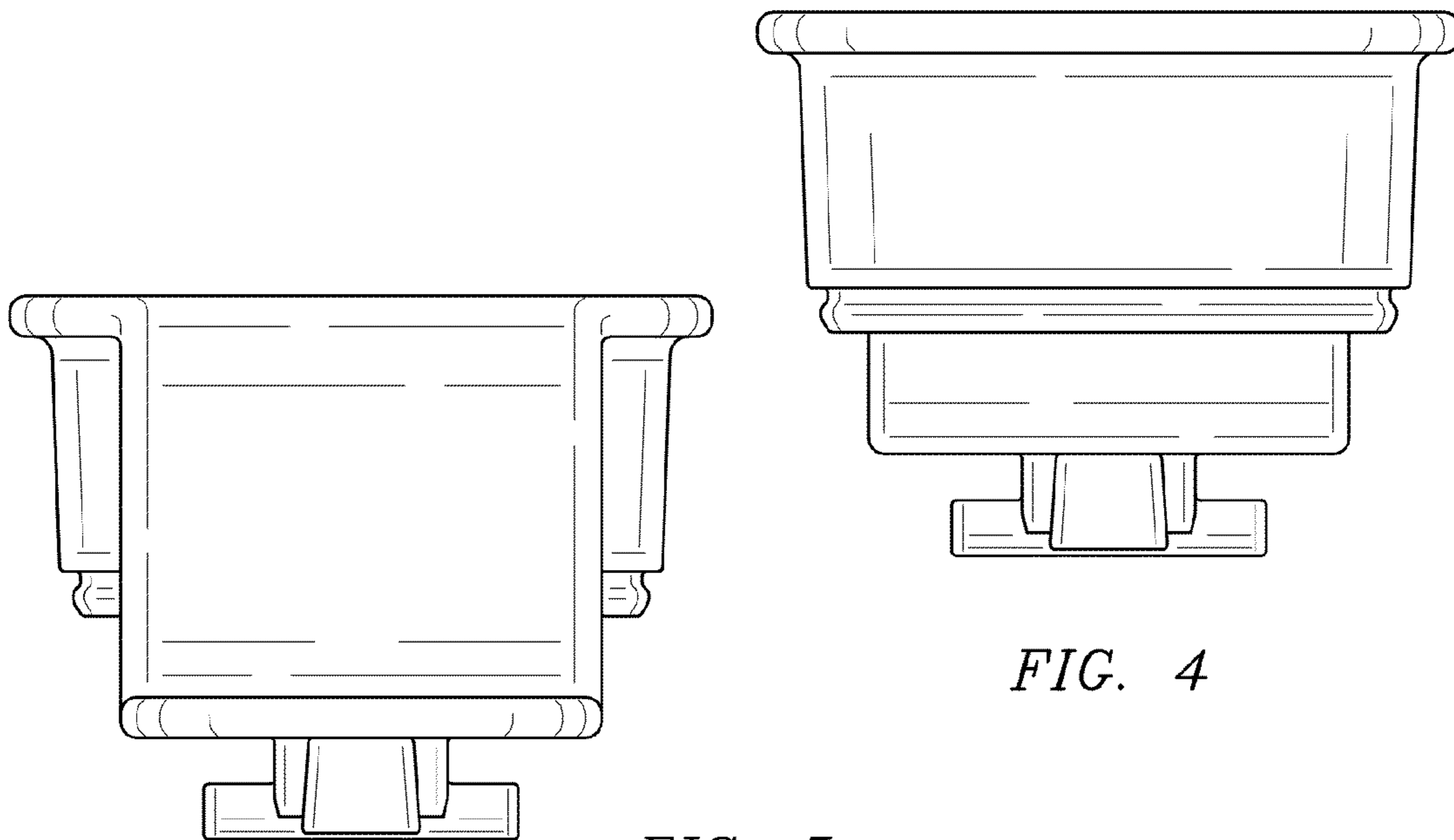


FIG. 4

FIG. 5

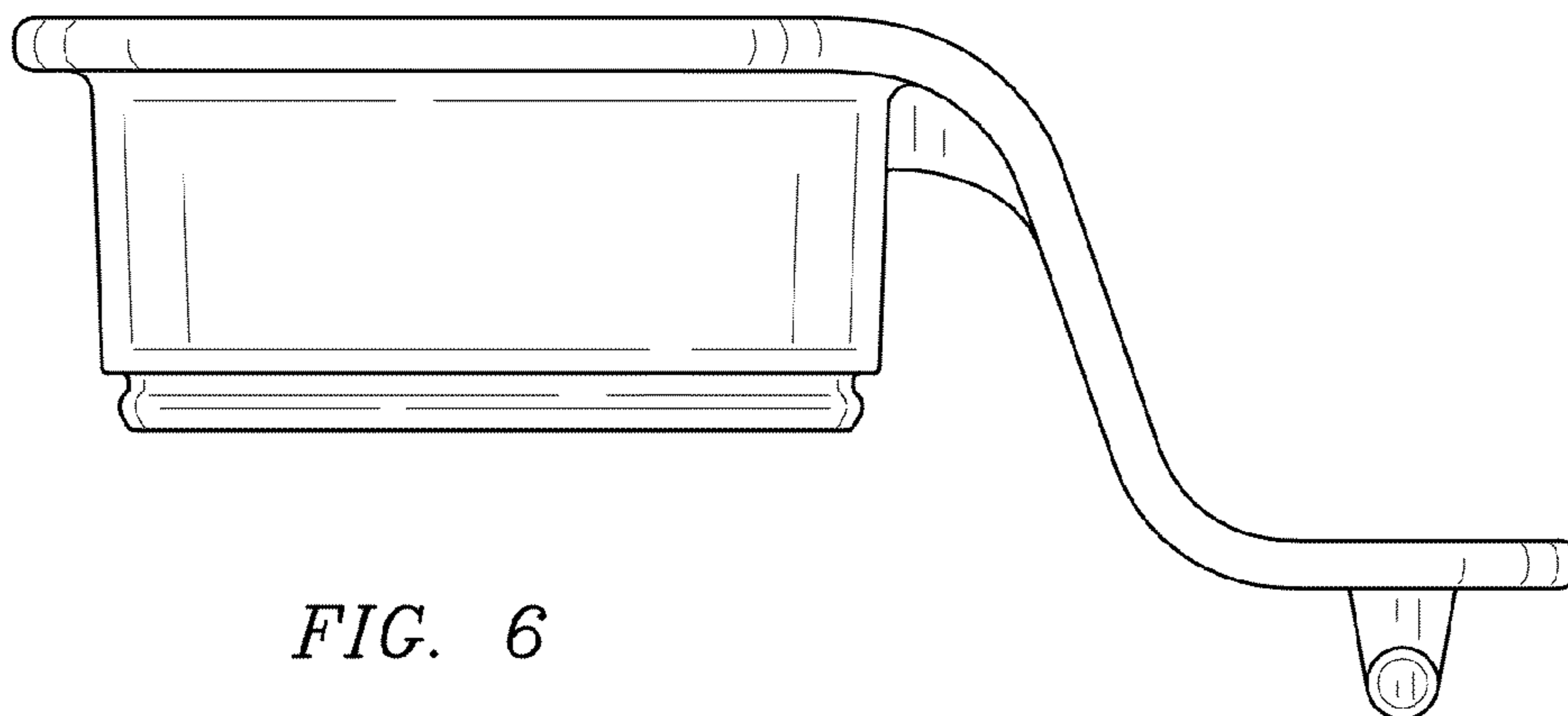


FIG. 6

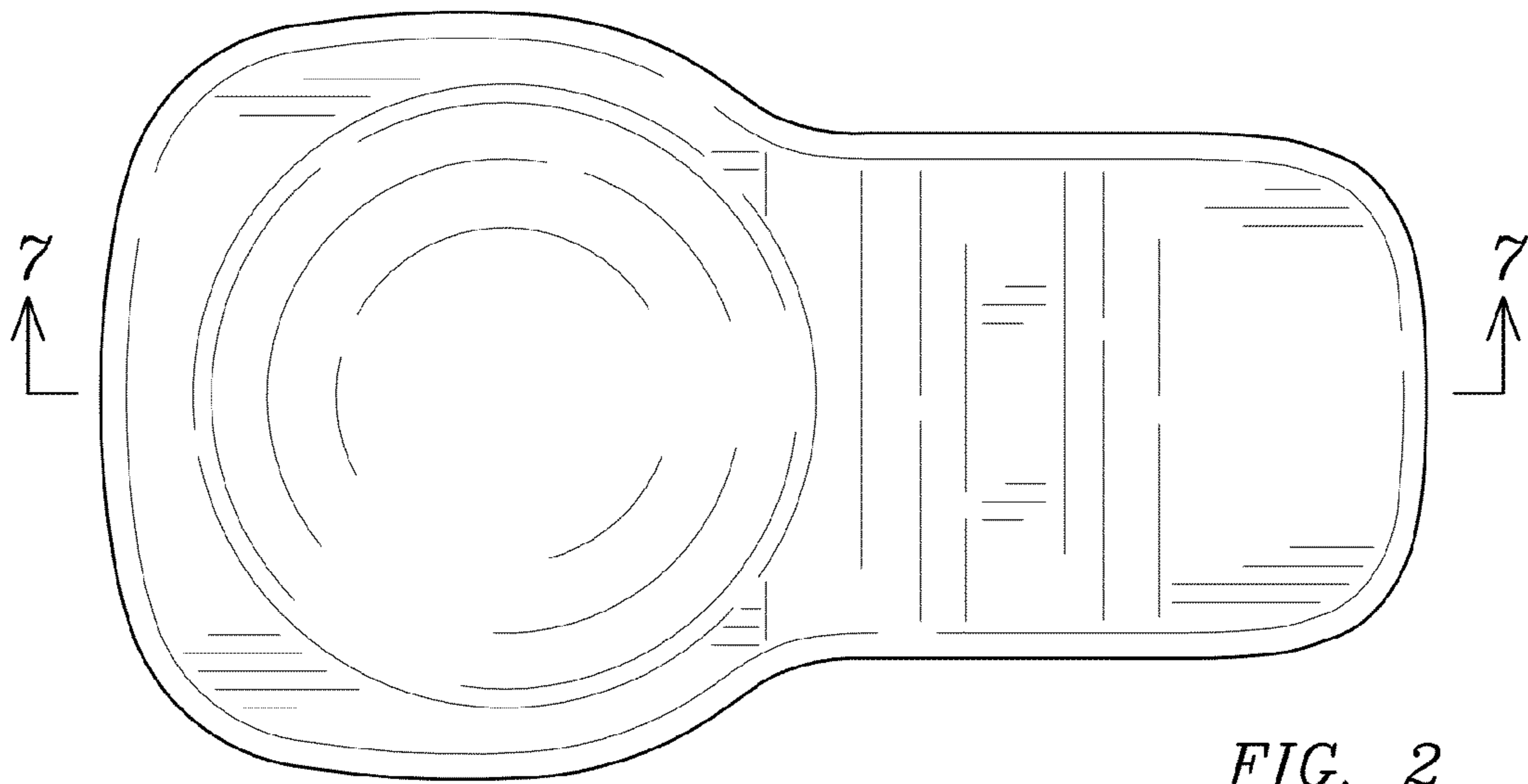


FIG. 2

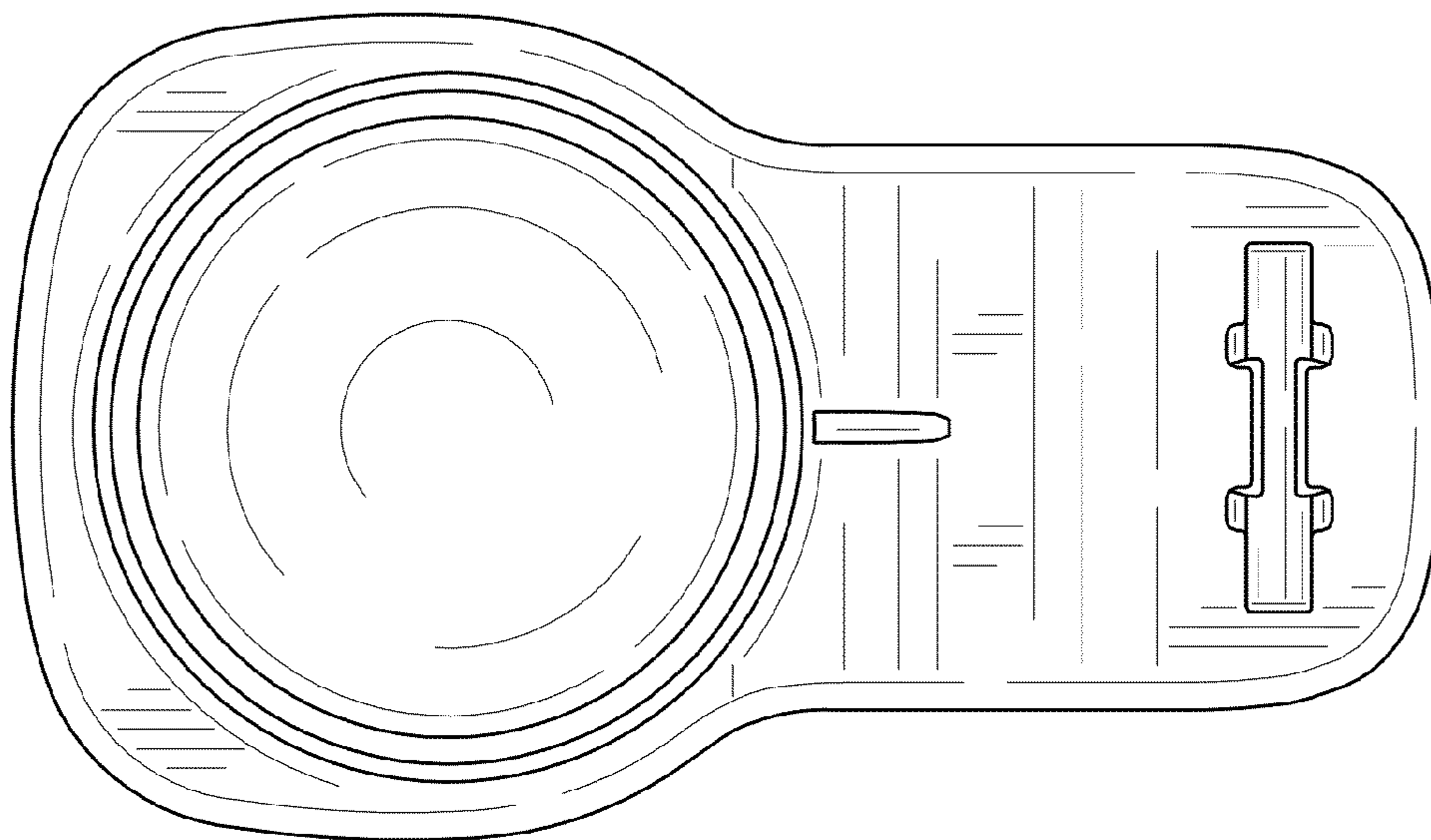


FIG. 3

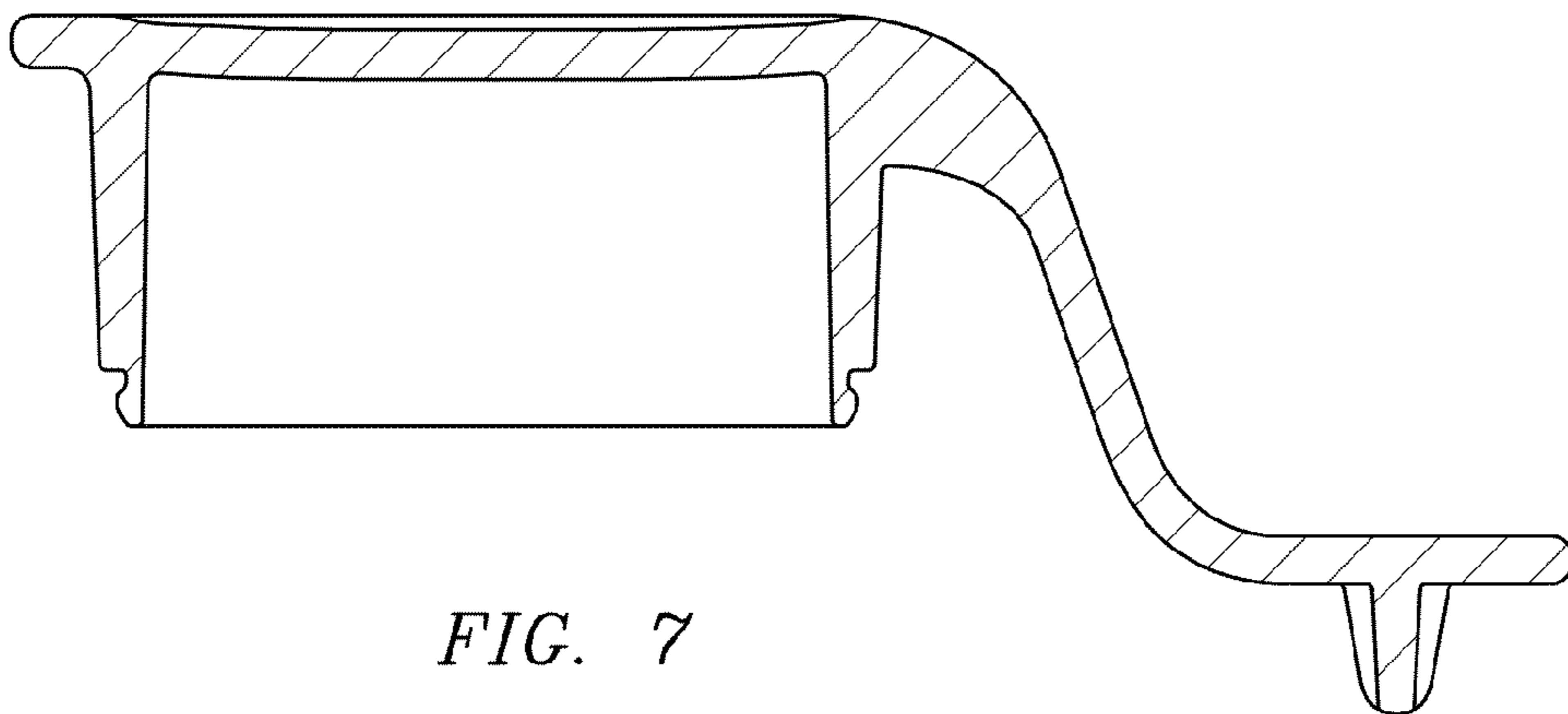


FIG. 7