



US00D739675S

(12) **United States Design Patent**
Hartkorn

(10) **Patent No.:** **US D739,675 S**

(45) **Date of Patent:** **** Sep. 29, 2015**

(54) **OVEN TOASTER**

(71) Applicant: **Albert William Hartkorn**, Miami
Beach, FL (US)

(72) Inventor: **Albert William Hartkorn**, Miami
Beach, FL (US)

(**) Term: **14 Years**

(21) Appl. No.: **29/463,925**

(22) Filed: **Apr. 10, 2014**

(51) **LOC (10) Cl.** **07-02**

(52) **U.S. Cl.**
USPC **D7/328**

(58) **Field of Classification Search**

USPC D7/306–307, 323, 328–330, 339,
D7/347–348, 350.1, 350.3, 390
CPC A21B 2/00; A47J 37/00; A47J 37/06;
A47J 37/0611; A47J 37/08; A47J 37/0807;
A47J 37/0814; A47J 37/0835; A47J 37/0842;
A47J 37/085; A47J 37/0864; A47J 37/0878;
A47J 37/0885; A47J 37/0892; F24C 15/10;
F24C 15/102

See application file for complete search history.

(56) **References Cited**

U.S. PATENT DOCUMENTS

D318,775 S * 8/1991 Bonnet et al. D7/350.3
D343,090 S * 1/1994 Connell D7/339
D526,527 S * 8/2006 Jung et al. D7/348
D560,421 S * 1/2008 Davis D7/348
D567,571 S * 4/2008 Hillmann et al. D7/347

D598,236 S * 8/2009 Dyson et al. D7/328
D609,958 S * 2/2010 Chung et al. D7/330
D611,753 S * 3/2010 Gammack et al. D7/306
D657,184 S * 4/2012 Segato D7/348
D657,185 S * 4/2012 Segato D7/348
D669,727 S * 10/2012 Pagano D7/307
D702,482 S * 4/2014 Davis et al. D7/350.1
2005/0178757 A1 * 8/2005 Starr et al. 219/386

* cited by examiner

Primary Examiner — Ricky Pham

(57) **CLAIM**

I claim the ornamental design for an oven toaster, as shown and described.

DESCRIPTION

FIG. 1: is the front side angle view of the invention.
FIG. 2: is the rear side angle view of the invention.
FIG. 3: is the front view of the invention.
FIG. 4: is the front interior view of the invention.
FIG. 5: is the top view of the interior.
FIG. 6: is the top view of the invention in a semi folded position.
FIG. 7: is the top view of the invention in a complete folded position; and,
FIG. 8: is the overall view of the invention folded into the carrying case.
The broken lines shown in the drawings are for illustrative purposes only and form no part of the claimed design.
The oven toaster is used for warming food with a standard toaster under the unit and can be used in a campfire situation and can be used with propane to become a full oven to cook meals.

1 Claim, 8 Drawing Sheets

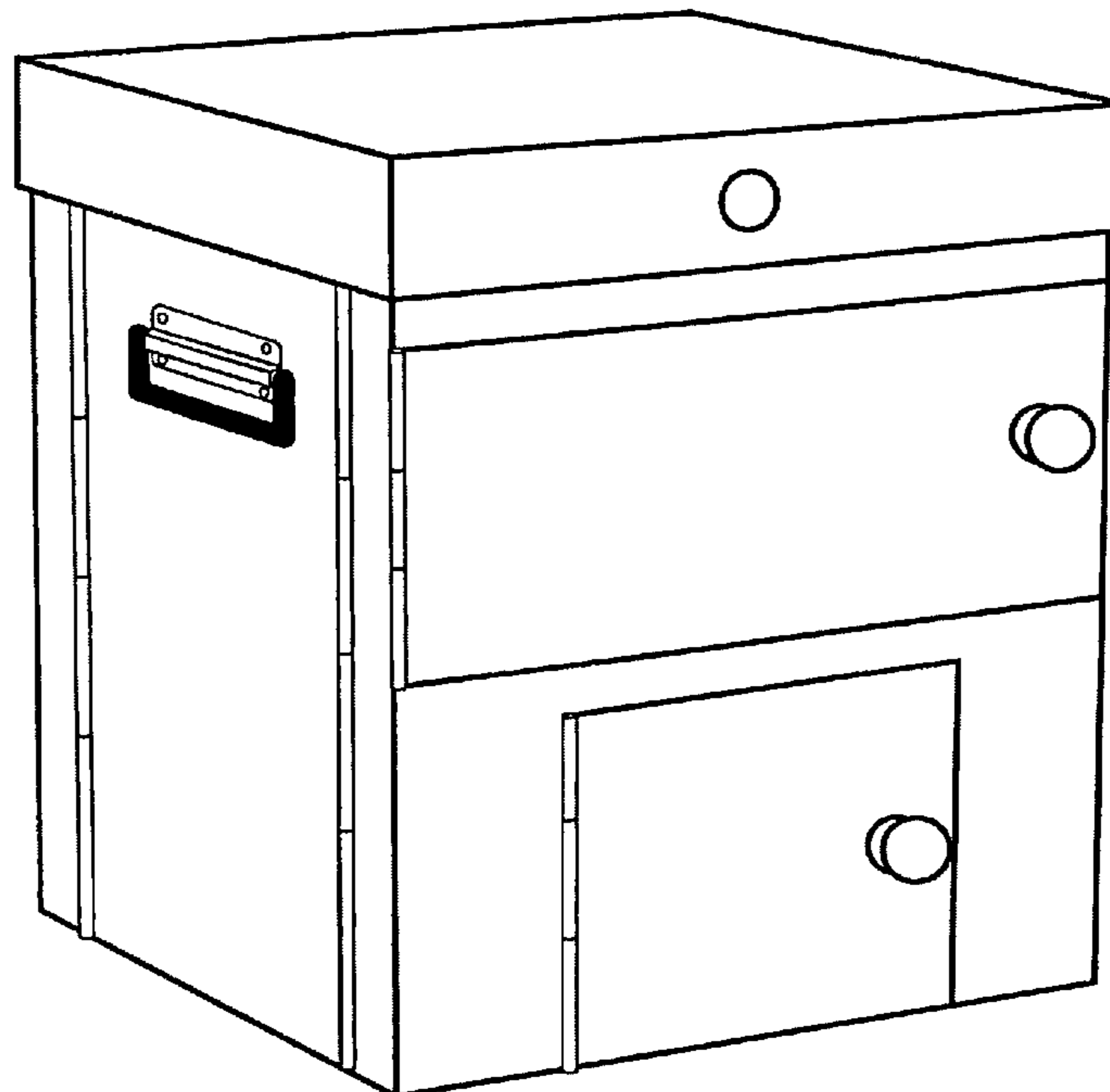


Fig. 1

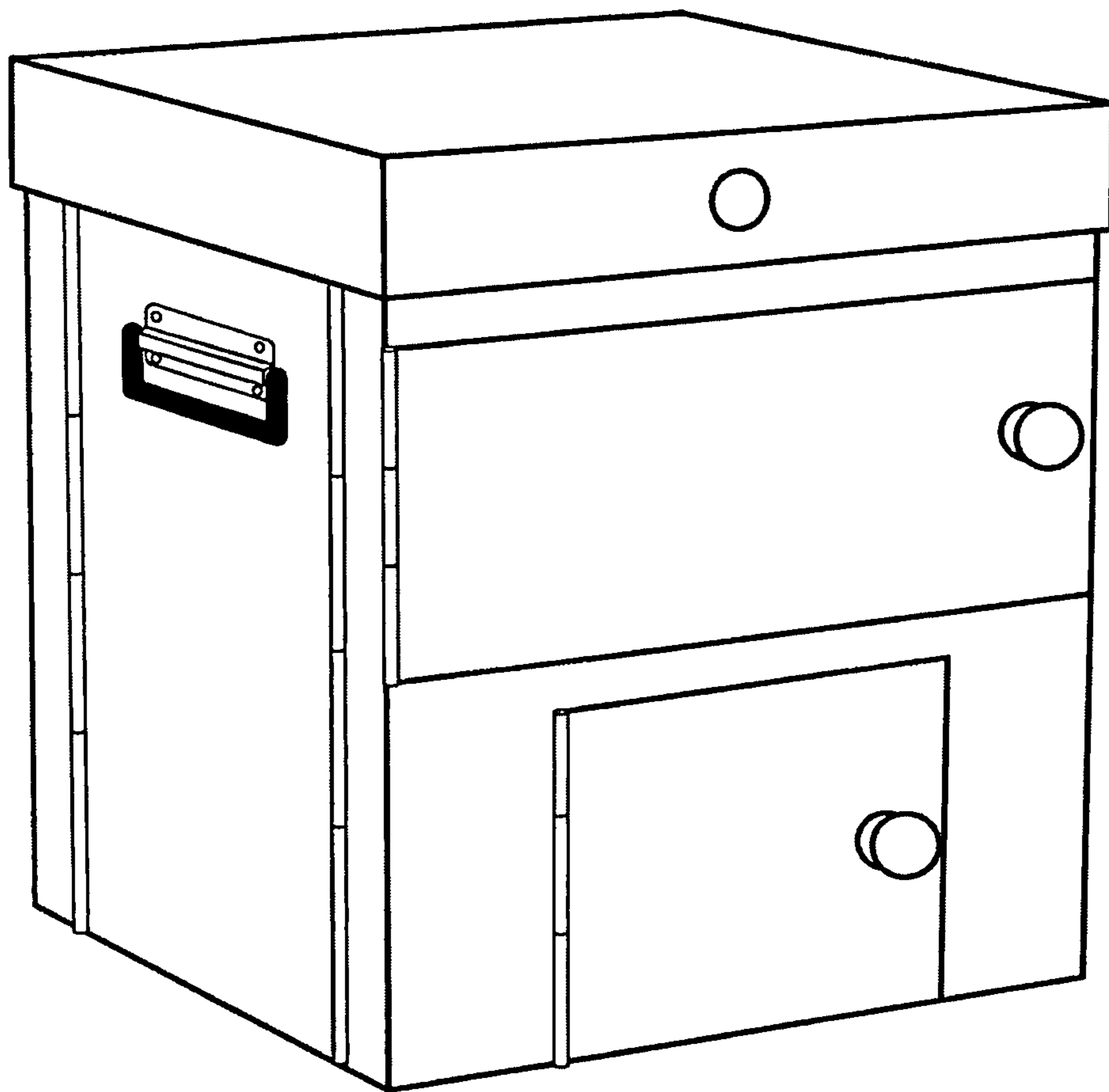
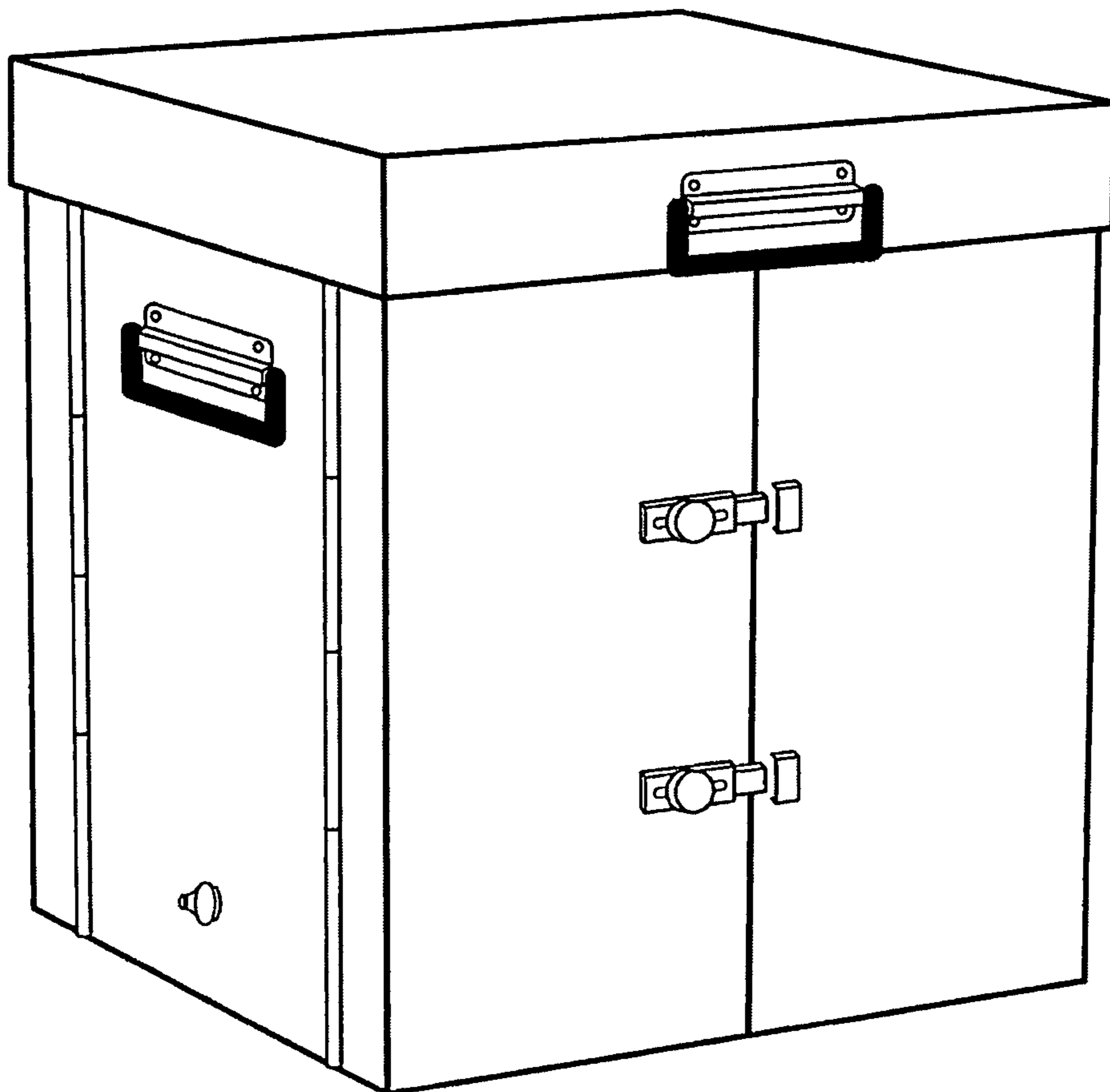


Fig. 2



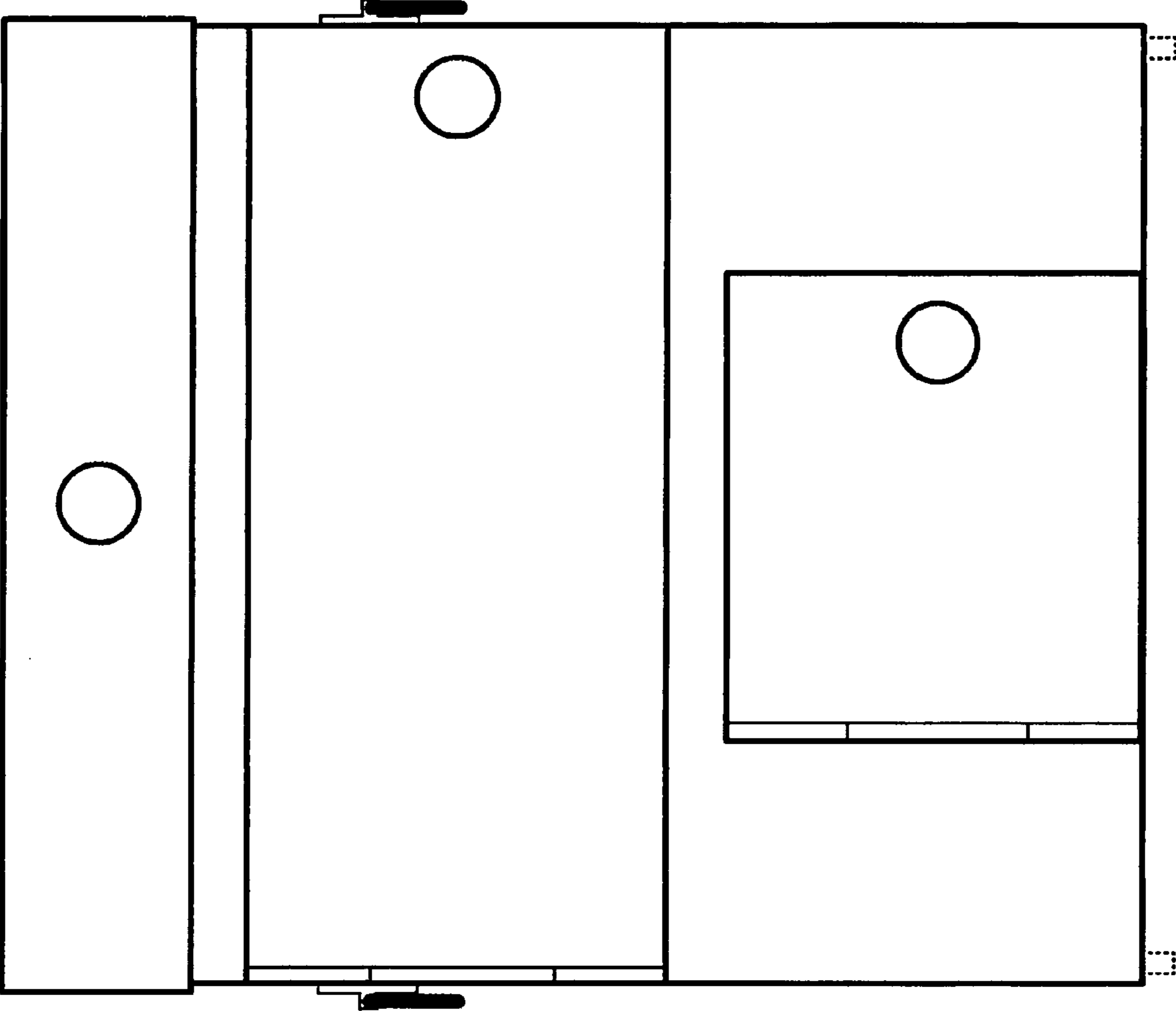


Fig. 3

Fig. 4

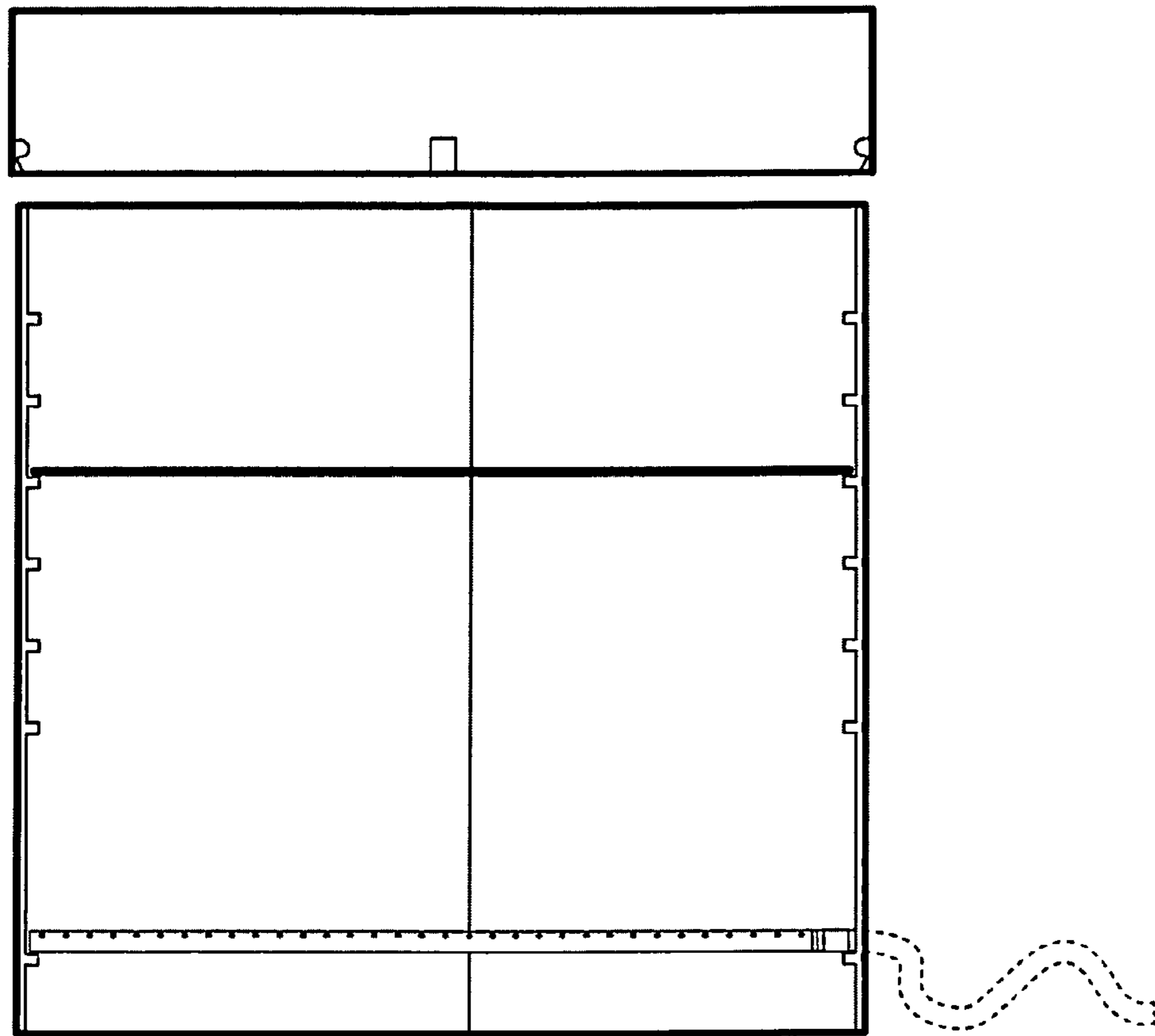


Fig. 5

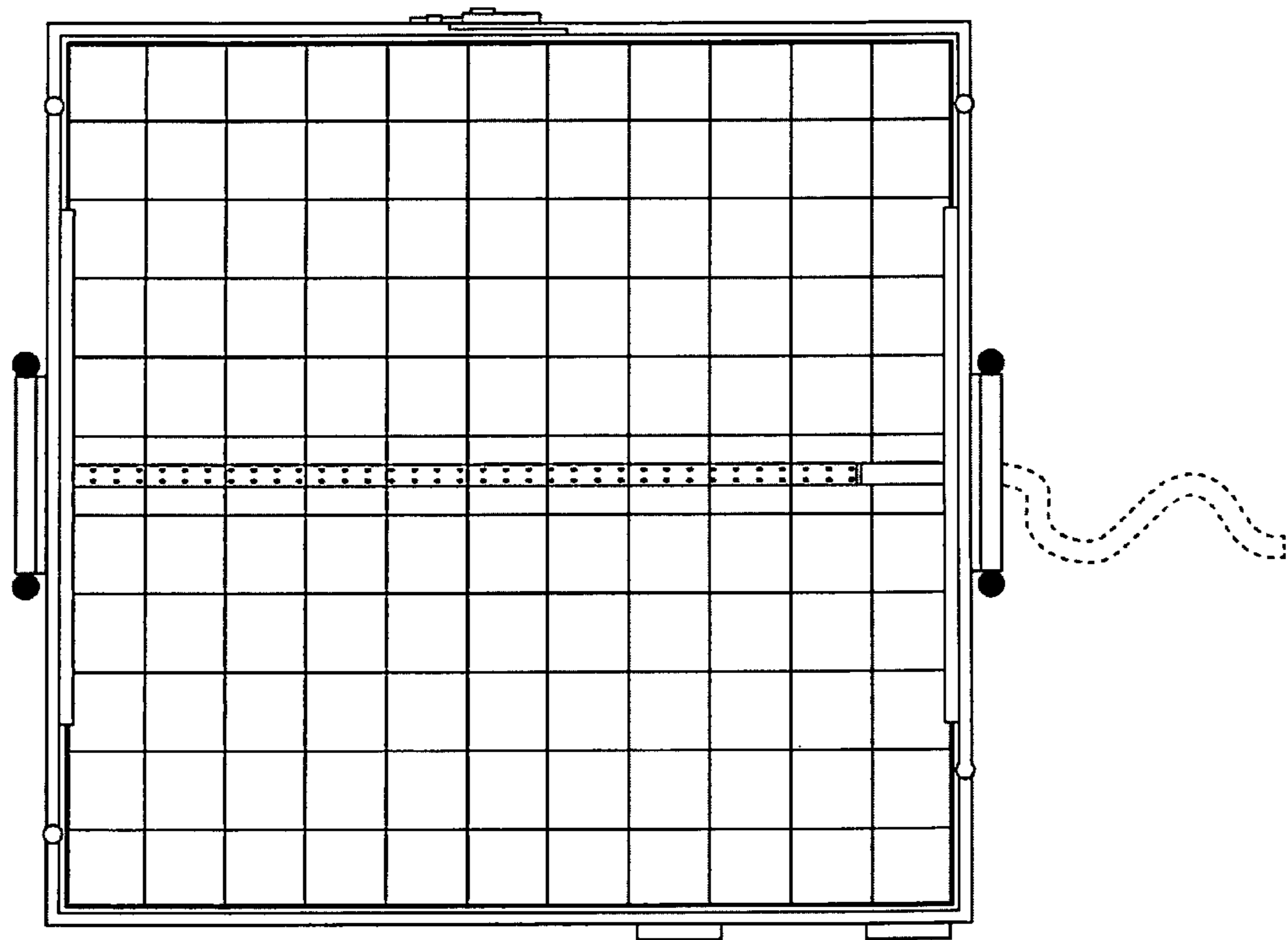


Fig. 6

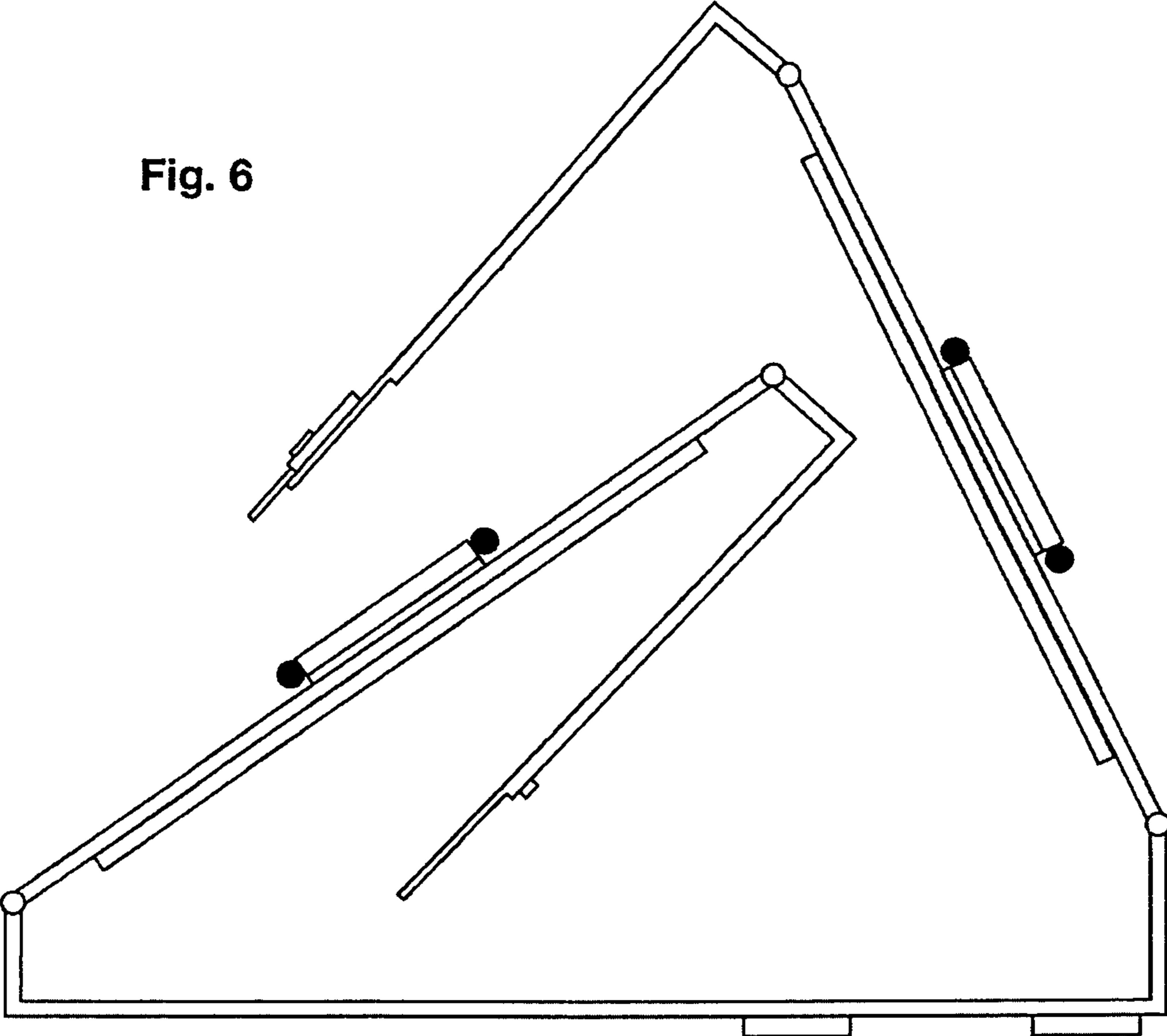


Fig. 7

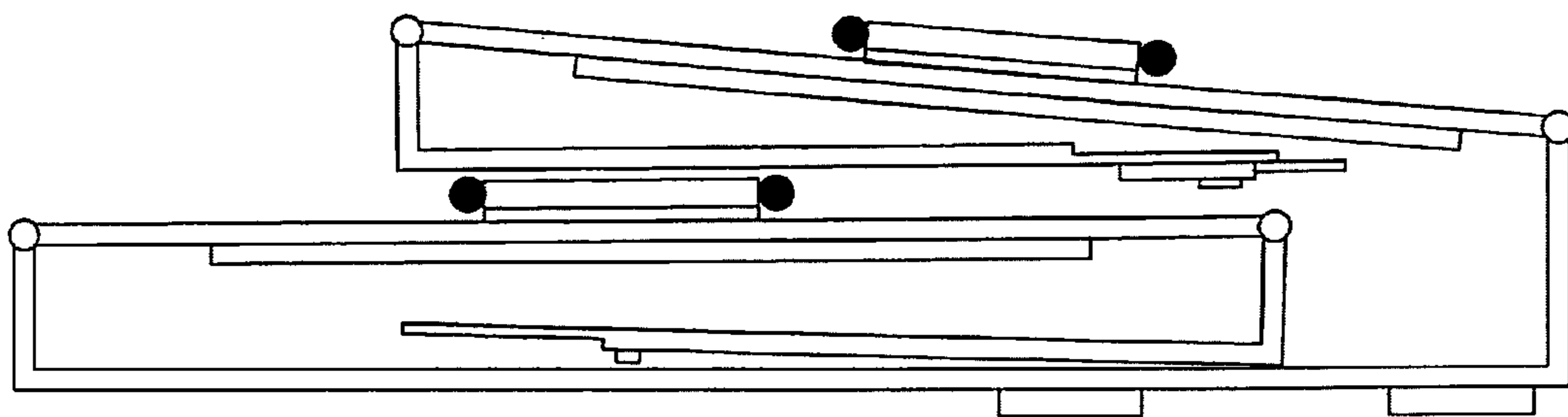


Fig. 8

