



US00D739674S

(12) **United States Design Patent**
Bergström

(10) **Patent No.:** **US D739,674 S**

(45) **Date of Patent:** **** Sep. 29, 2015**

(54) **SHAKER WITH PLUG**

D233,116 S * 10/1974 Swett et al. D7/300.1

(Continued)

(71) Applicant: **DevPat AB**, Västerås (SE)

(72) Inventor: **Mikael Bergström**, Västerås (SE)

(73) Assignee: **DevPat AB**, Västerås (SE)

(**) Term: **14 Years**

(21) Appl. No.: **29/475,928**

(22) Filed: **Dec. 9, 2013**

(30) **Foreign Application Priority Data**

Nov. 28, 2013 (EM) 002353391
Nov. 29, 2013 (AU) 201316222
Nov. 29, 2013 (AU) 201316223
Dec. 2, 2013 (CN) 2013 3 0593132
Dec. 6, 2013 (BR) 302013006318

(51) **LOC (10) Cl.** **07-01**

(52) **U.S. Cl.**
USPC **D7/300.1**

(58) **Field of Classification Search**
USPC D7/300, 300.1, 302, 305, 312, 317, 321,
D7/368, 369, 376, 378, 392.1, 396.2, 397,
D7/412, 413, 415, 500, 505, 507, 509, 510,
D7/511, 513, 523, 526, 530, 538, 541, 555,
D7/557, 558, 560, 561, 589, 590, 591, 596,
D7/598, 600.4, 601, 602, 614, 619.1, 629,
D7/637, 638, 669, 701, 703; D9/434, 435,
D9/436, 438, 440, 447, 516, 519, 524, 530,
D9/537, 538, 547, 548, 549, 553, 715, 716,
D9/719, 730, 737, 738, 741, 745, 751;
D10/46.2; D24/197; 215/386, 387;
220/703, 711, 713, 717; 222/129

See application file for complete search history.

(56) **References Cited**

U.S. PATENT DOCUMENTS

3,820,692 A * 6/1974 Swett et al. 222/547

FOREIGN PATENT DOCUMENTS

EM 001753609-0001 * 9/2010

Primary Examiner — Susan Bennett Hattan

Assistant Examiner — Leanne Was

(74) *Attorney, Agent, or Firm* — Dilworth & Barrese, LLP.

(57) **CLAIM**

The ornamental design for a shaker with plug, as shown and described.

DESCRIPTION

FIG. 1 is a left side front perspective view from above of the shaker with plug showing my new design;

FIG. 2 is a front elevational view of the shaker with plug of FIG. 1;

FIG. 3 is a left side elevational view of the shaker with plug of FIGS. 1 and 2, the right side elevational view being a substantial mirror image thereof;

FIG. 4 is a top plan view of the shaker with plug of FIGS. 1-3;

FIG. 5 is a bottom plan view of the shaker of FIGS. 1-4;

FIG. 6 is a rear elevational view of the shaker with plug of FIGS. 1-5;

FIG. 7 is a left side front perspective view from above of the plug showing my new design;

FIG. 8 is a right side rear perspective view from below of the plug of FIG. 7;

FIG. 9 is a front elevational view of the plug of FIGS. 7 and 8;

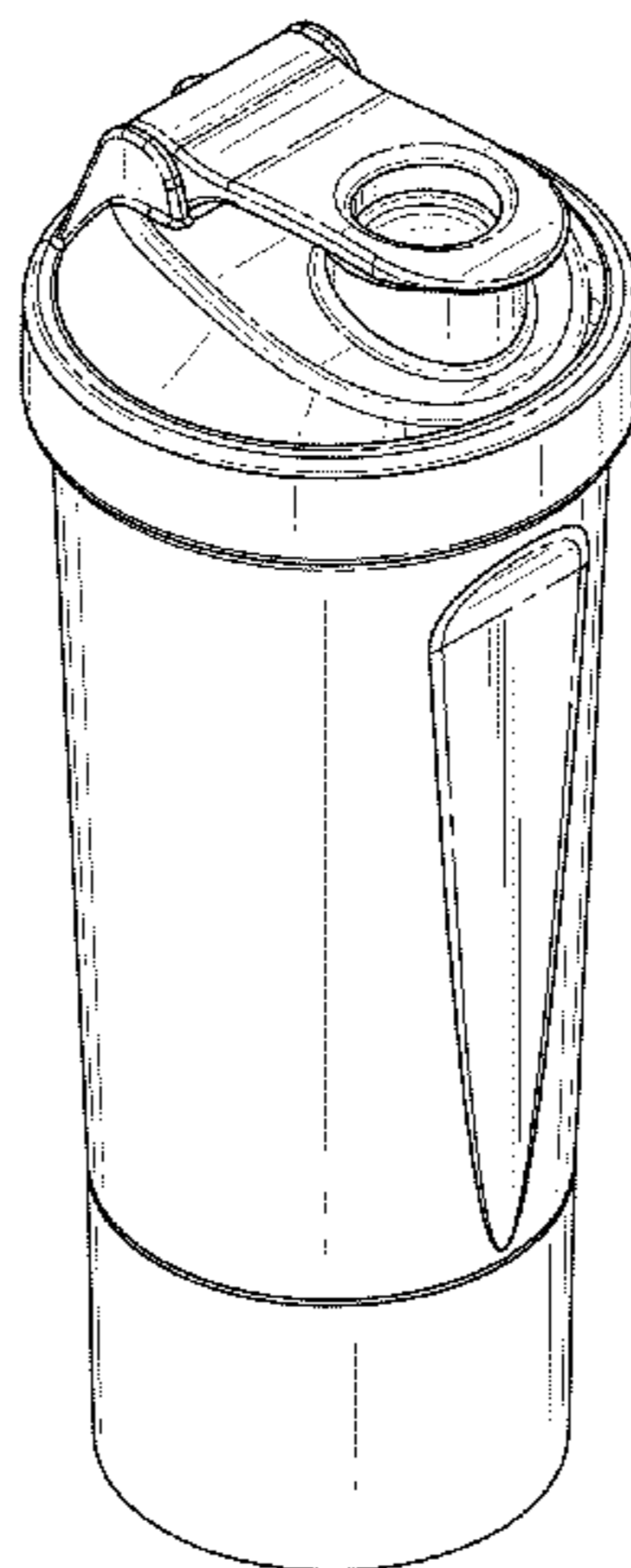
FIG. 10 is a rear elevational view of the plug of FIGS. 7-9;

FIG. 11 is a left side elevational view of the plug of FIGS. 7-10, the right side elevational view being a substantial mirror image thereof;

FIG. 12 is a top plan view of the plug of FIGS. 7-11; and, FIG. 13 is a bottom plan view of the plug of FIGS. 7-12.

The broken lines in the drawings depict unclaimed portions of the article.

1 Claim, 5 Drawing Sheets



(56)

References Cited

U.S. PATENT DOCUMENTS

5,590,542 A *	1/1997	Wang	62/457.3	D683,575 S *	6/2013	Devlin	D7/300.1
D510,235 S *	10/2005	Sorensen	D7/510	D687,661 S *	8/2013	Cetera et al.	D7/300.1
D632,918 S *	2/2011	Gordon	D7/300.1	D688,520 S *	8/2013	Lin	D7/507
D644,065 S *	8/2011	Llerena	D7/510	D690,989 S *	10/2013	Cetera et al.	D7/392.1
D646,919 S *	10/2011	Nilsson	D7/300.1	D691,849 S *	10/2013	Cetera et al.	D7/392.1
D655,131 S *	3/2012	Nilsson	D7/392.1	D692,276 S *	10/2013	Cetera et al.	D7/510
D656,357 S *	3/2012	Enghard	D7/300.1	8,544,674 B2 *	10/2013	Nilsson	220/568
D666,047 S *	8/2012	Lin	D7/300.1	D696,551 S *	12/2013	Meyers et al.	D7/392.1
D677,121 S *	3/2013	Meyers et al.	D7/510	D699,996 S *	2/2014	De Leo	D7/300.1
				D702,489 S *	4/2014	Steel et al.	D7/392.1
				D702,503 S *	4/2014	Steel et al.	D7/510
				2011/0220674 A1 *	9/2011	Honeyghan	220/849

* cited by examiner



FIG. 1

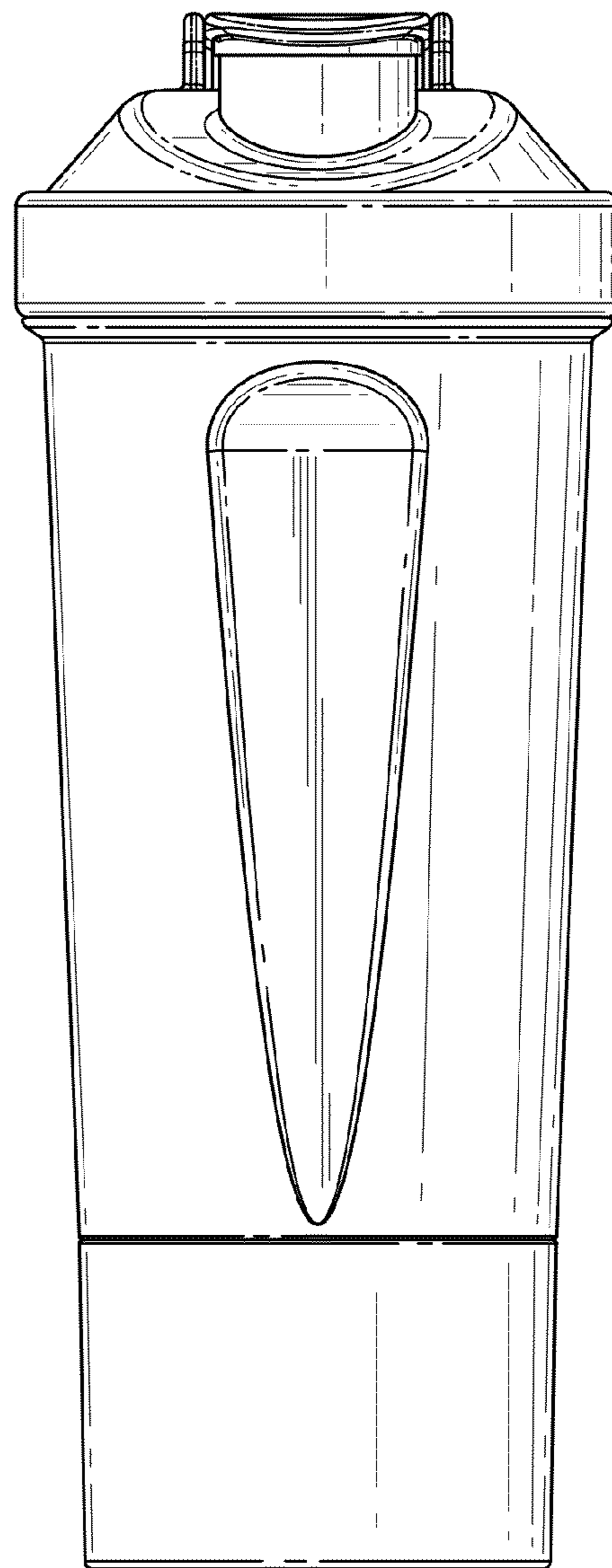


FIG. 2

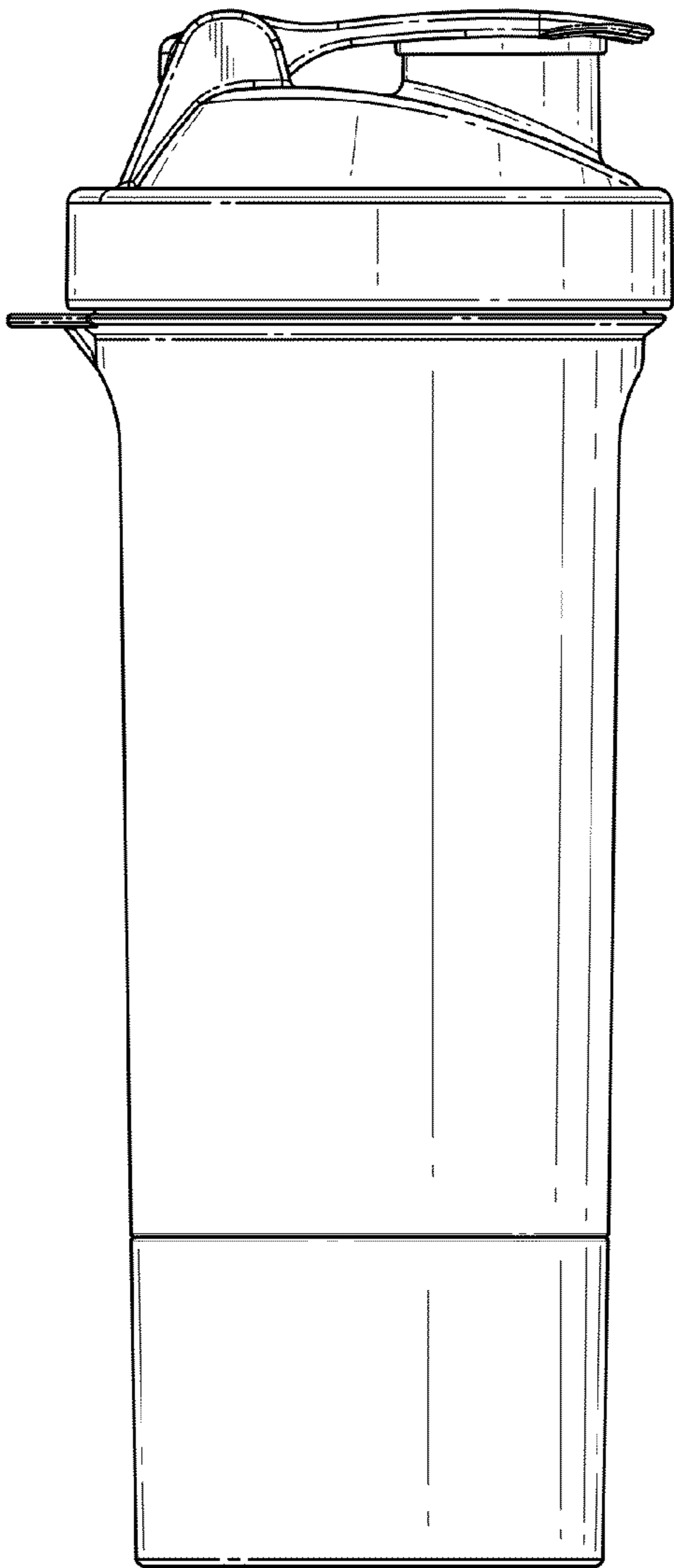


FIG. 3

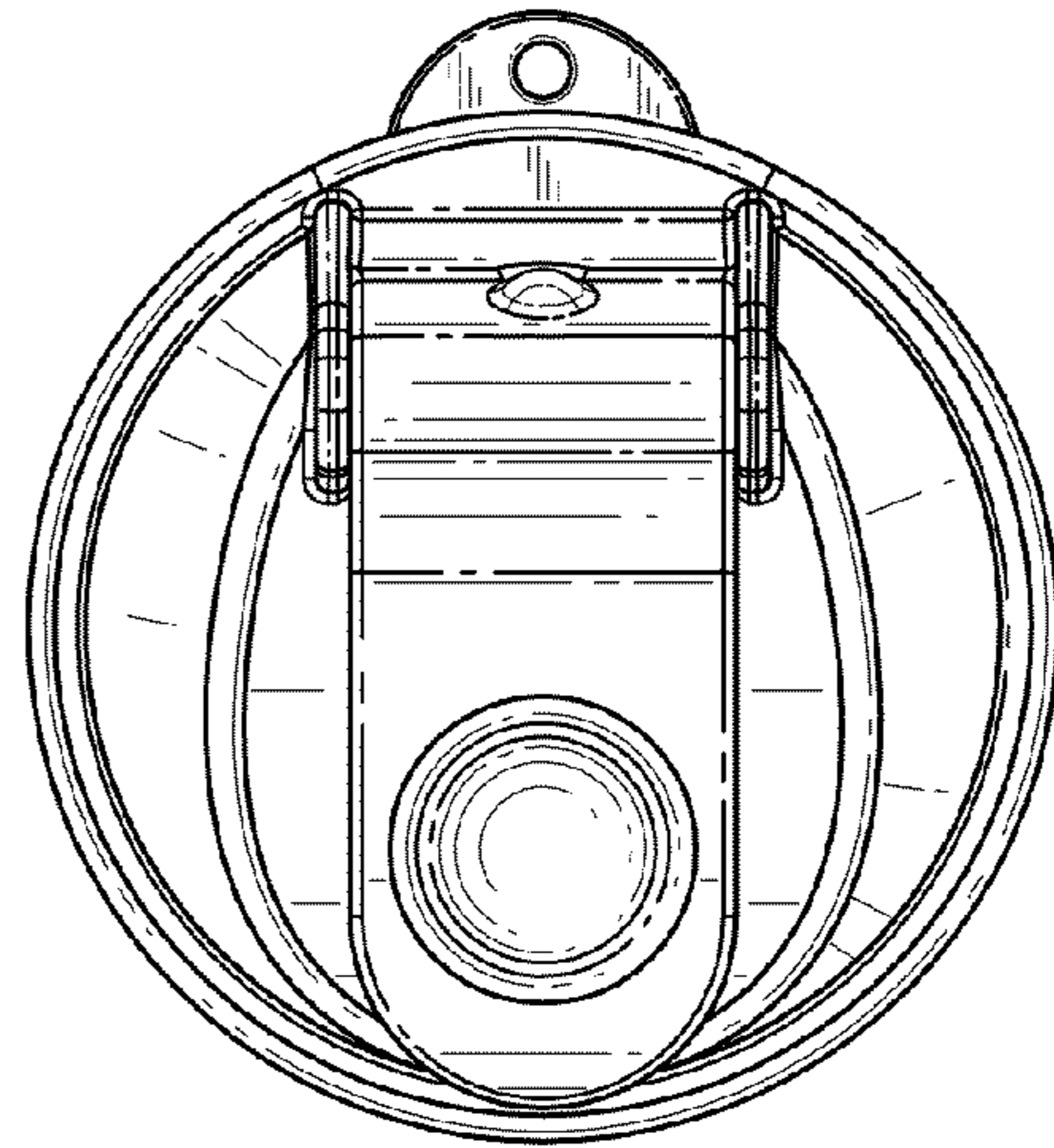


FIG. 4

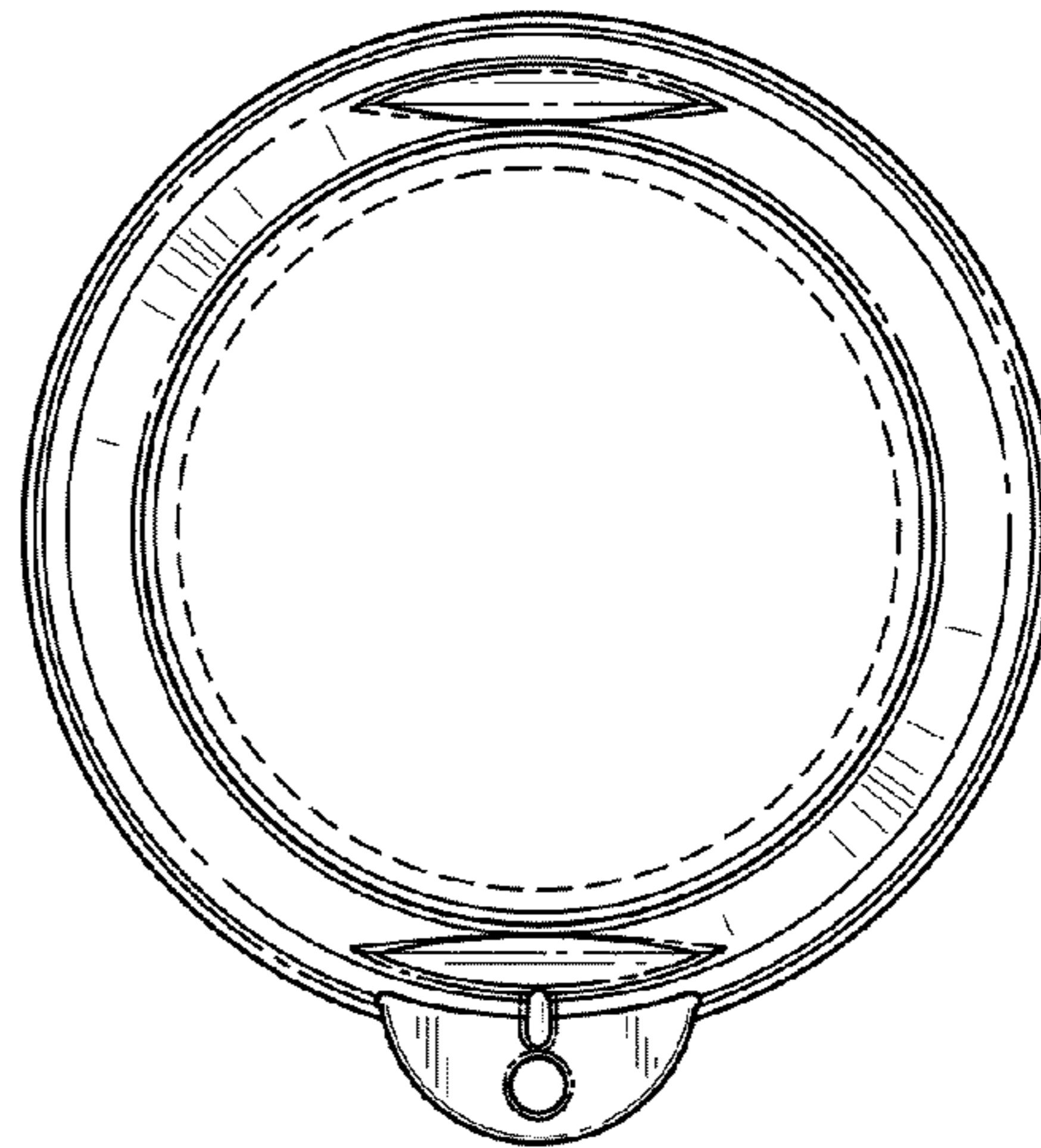


FIG. 5

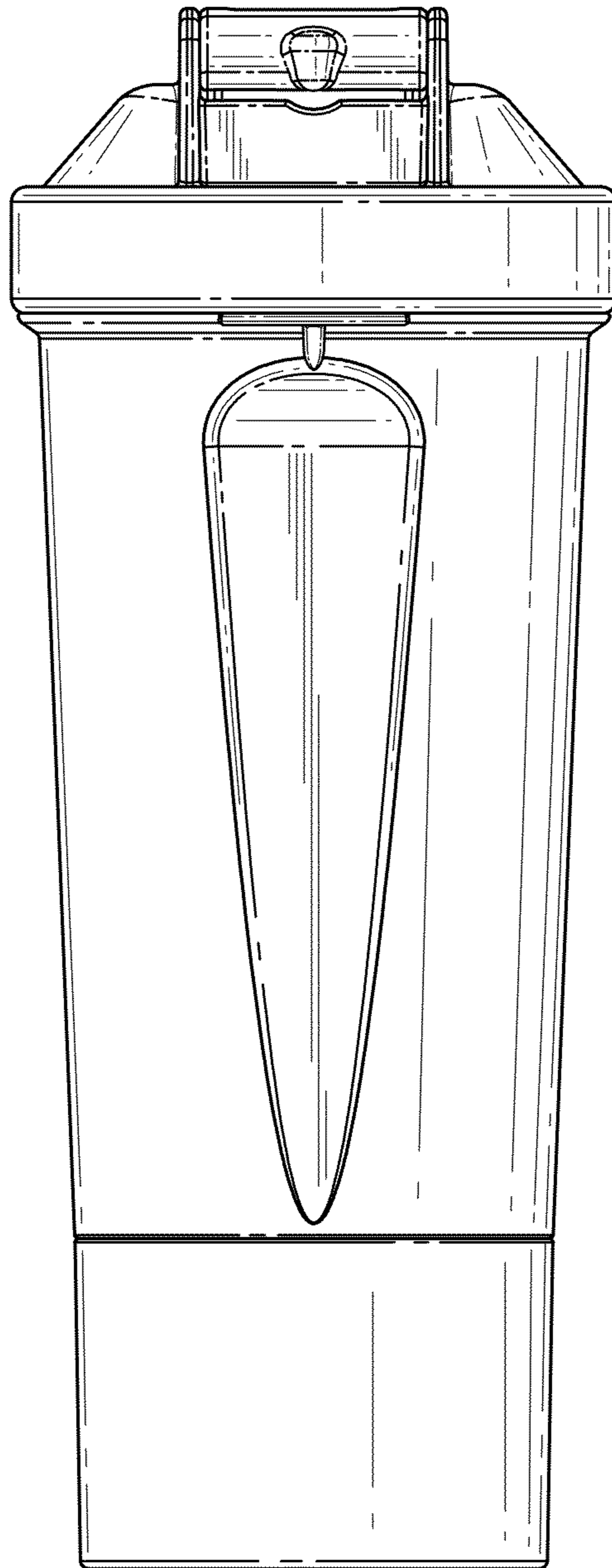


FIG. 6

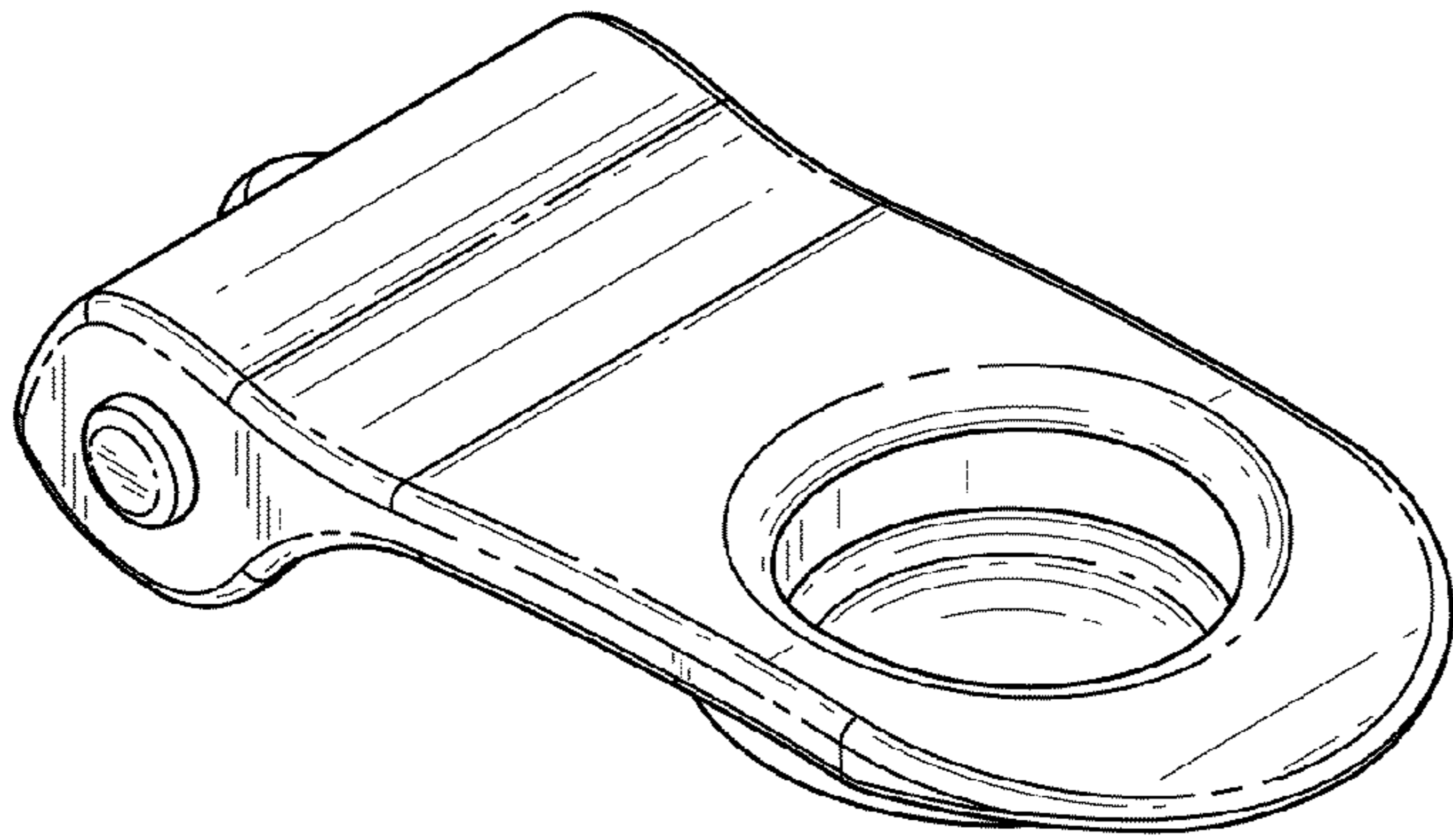


FIG. 7

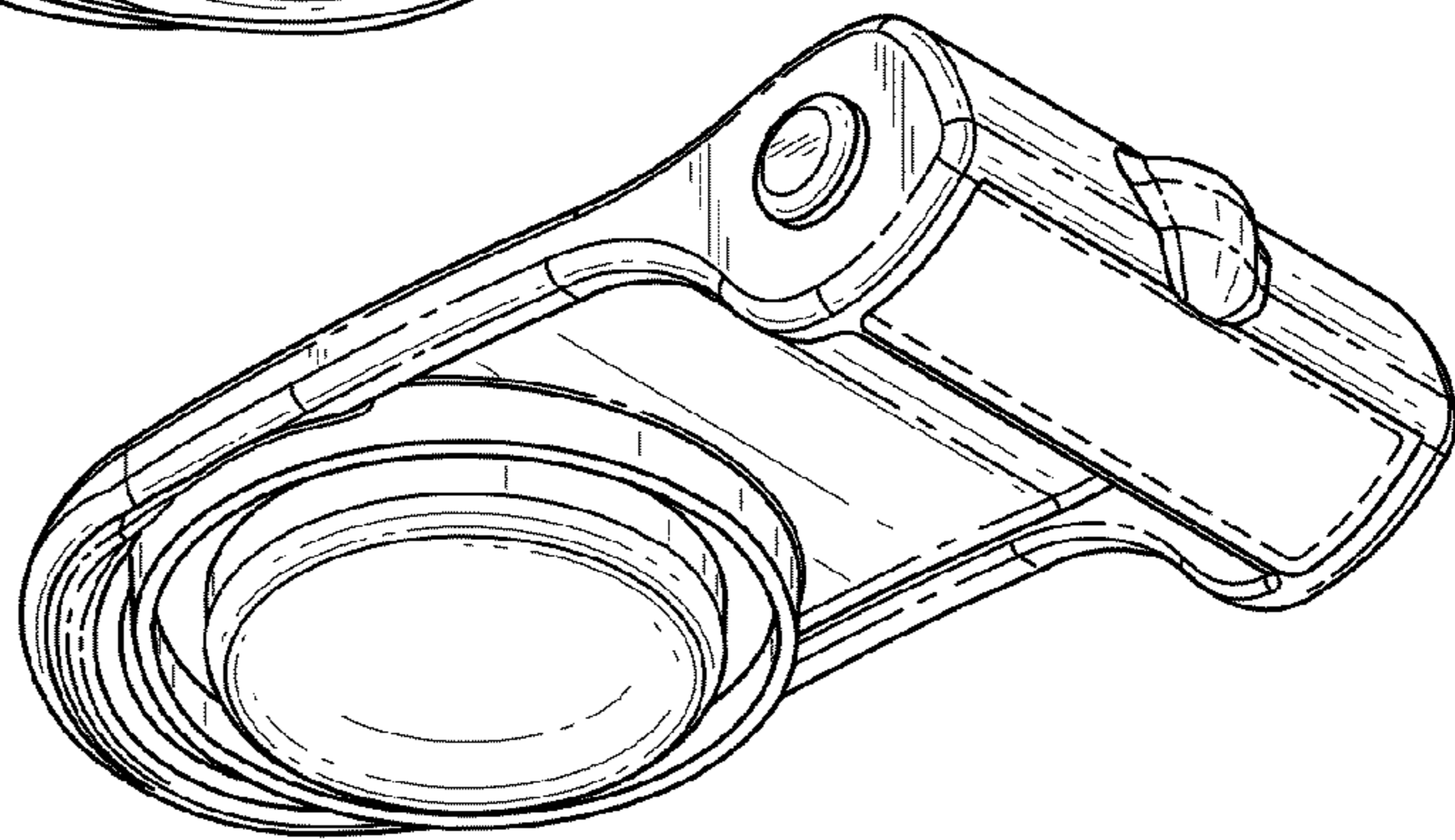


FIG. 8

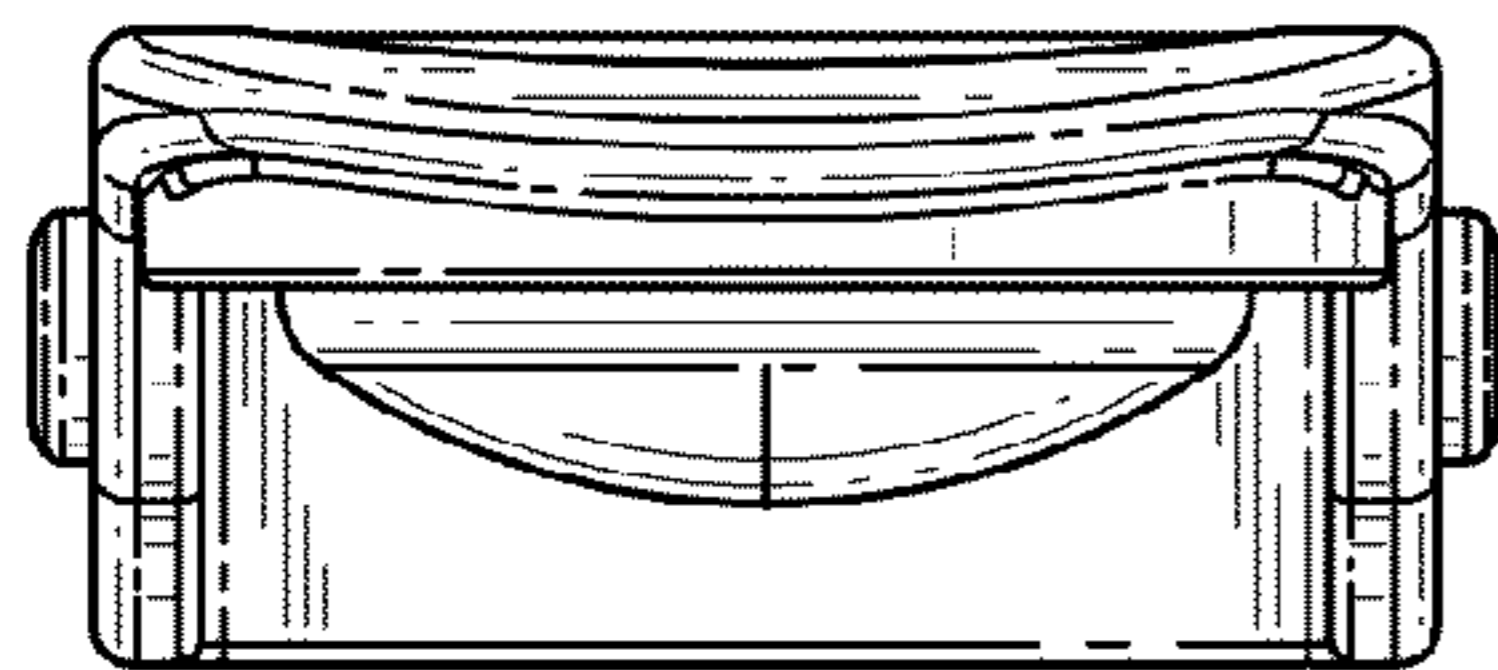


FIG. 9

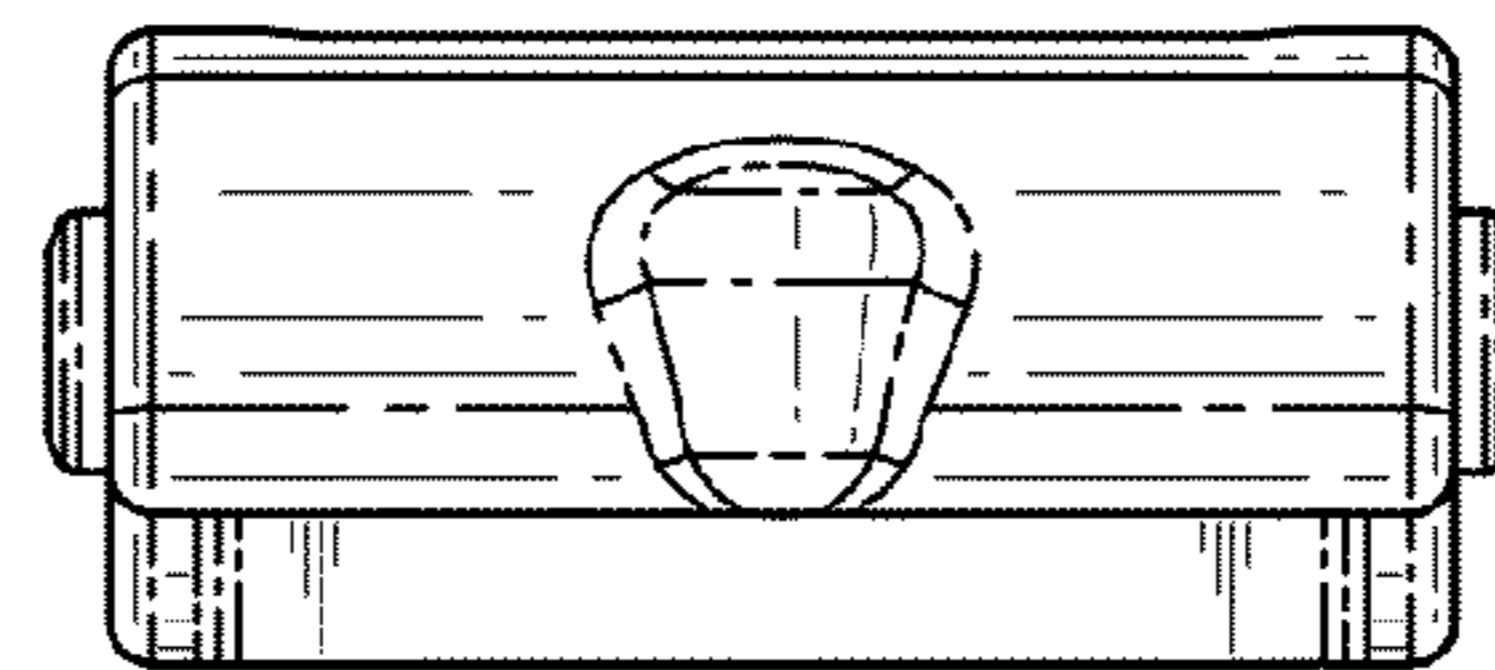


FIG. 10

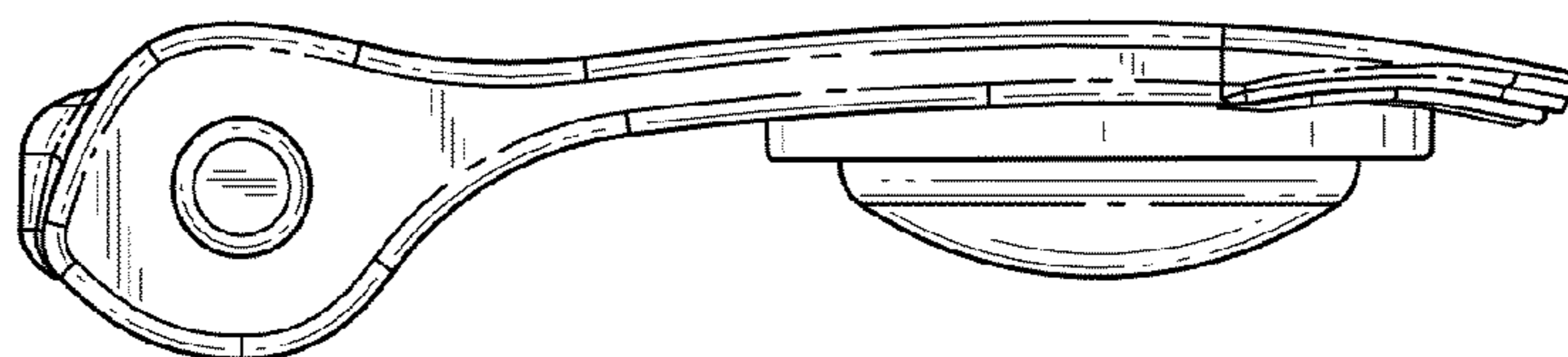


FIG. 11

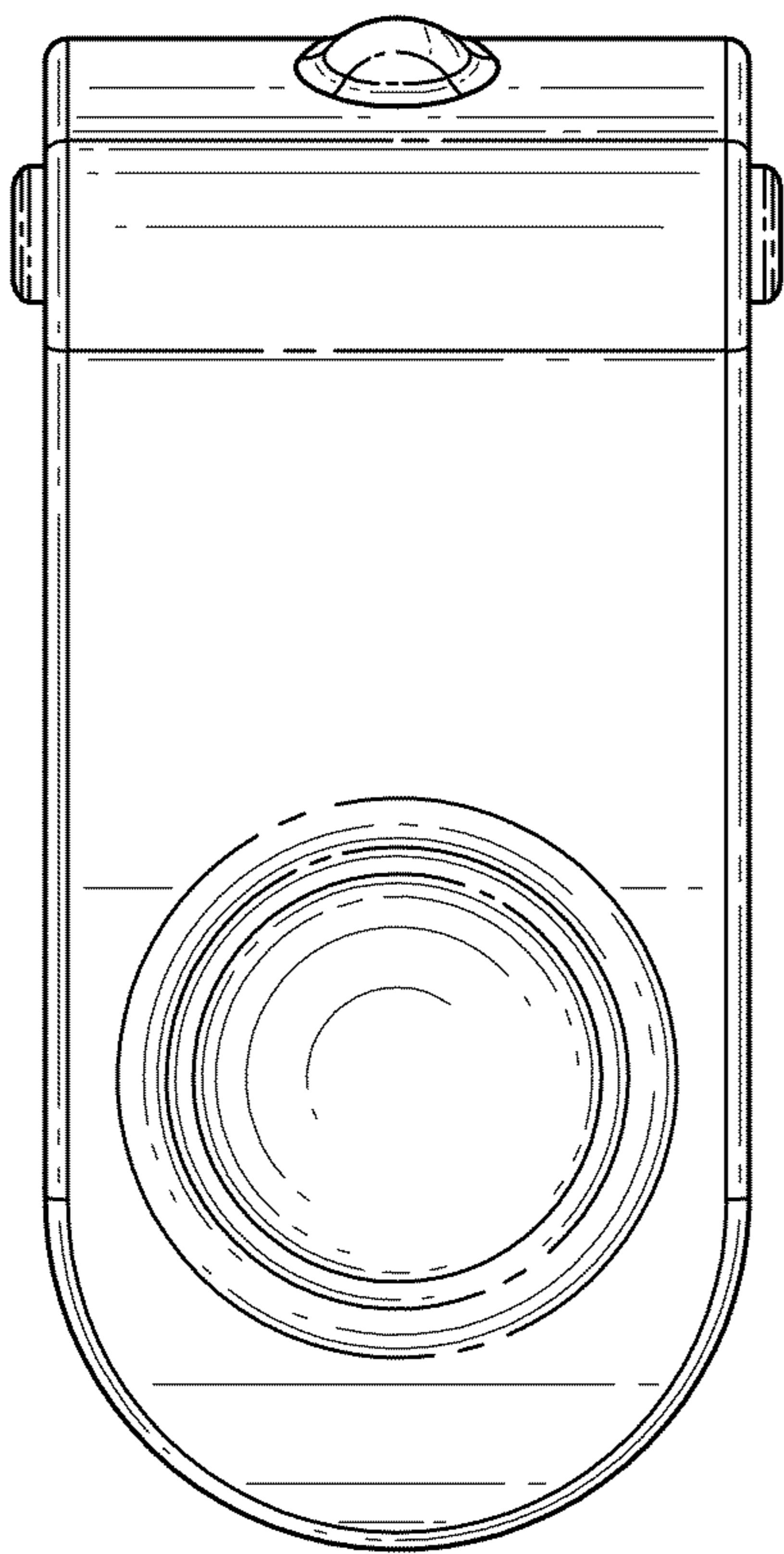


FIG. 12

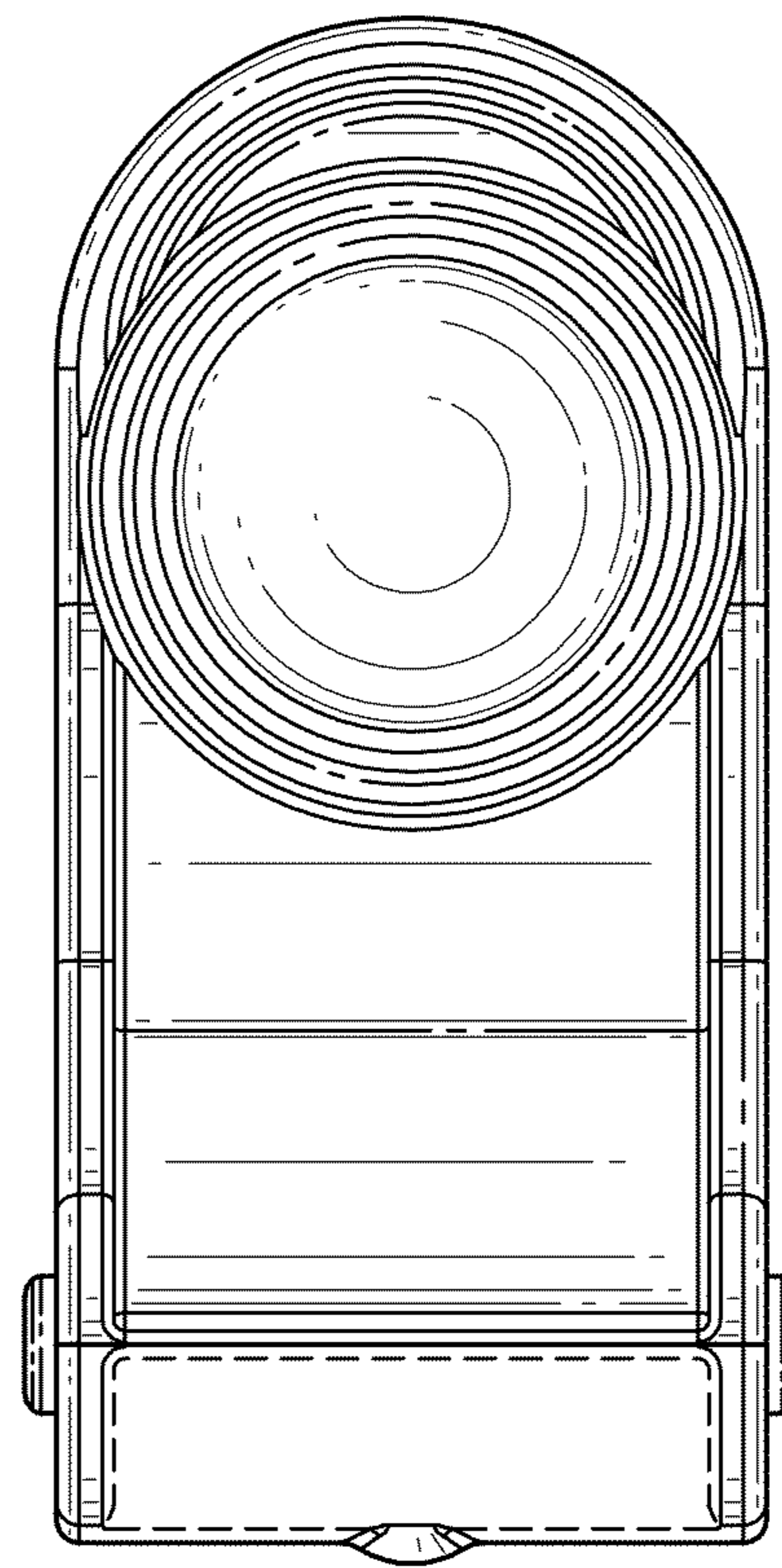


FIG. 13