



US00D739670S

(12) **United States Design Patent**  
**Pedersen et al.**

(10) **Patent No.:** **US D739,670 S**

(45) **Date of Patent:** **\*\* Sep. 29, 2015**

(54) **SIDE TABLE**

(71) Applicant: **Target Brands, Inc.**, Minneapolis, MN (US)

(72) Inventors: **Sara L. Pedersen**, Minneapolis, MN (US); **Chad M. Bogdan**, St. Paul, MN (US); **Zachary S. Bloch**, Minneapolis, MN (US); **Kirk E. Morris**, Minneapolis, MN (US); **Katherine R. Wittenberg**, St. Paul, MN (US); **George K. Smithwick**, Blaine, MN (US)

(73) Assignee: **Target Brands, Inc.**, Minneapolis, MN (US)

(\*\*) Term: **14 Years**

(21) Appl. No.: **29/489,476**

(22) Filed: **Apr. 30, 2014**

(51) **LOC (10) Cl.** ..... **06-03**

(52) **U.S. Cl.**  
USPC ..... **D6/691.1**

(58) **Field of Classification Search**  
USPC ..... D6/691, 691.1, 691.3, 691.5, 691.8, D6/691.9, 707.18, 349  
CPC ..... A47B 7/00; A47B 13/00; A47B 13/02; A47B 13/04; A47B 13/06; A47B 2200/11; A47B 91/00; A47B 91/005; A47B 13/08; A47B 13/088; A47B 2200/001

See application file for complete search history.

(56) **References Cited**

U.S. PATENT DOCUMENTS

D233,872 S *	12/1974	Jester .....	D6/691.1
D263,524 S *	3/1982	Hanson .....	D6/691.1
D358,283 S *	5/1995	Kelly .....	D6/691.1
D516,842 S *	3/2006	Cross .....	D6/691.1

\* cited by examiner

*Primary Examiner* — Janice Seeger

(74) *Attorney, Agent, or Firm* — Leanne Taveggia Farrell; Westman, Champlin & Koehler, P.A.

(57) **CLAIM**

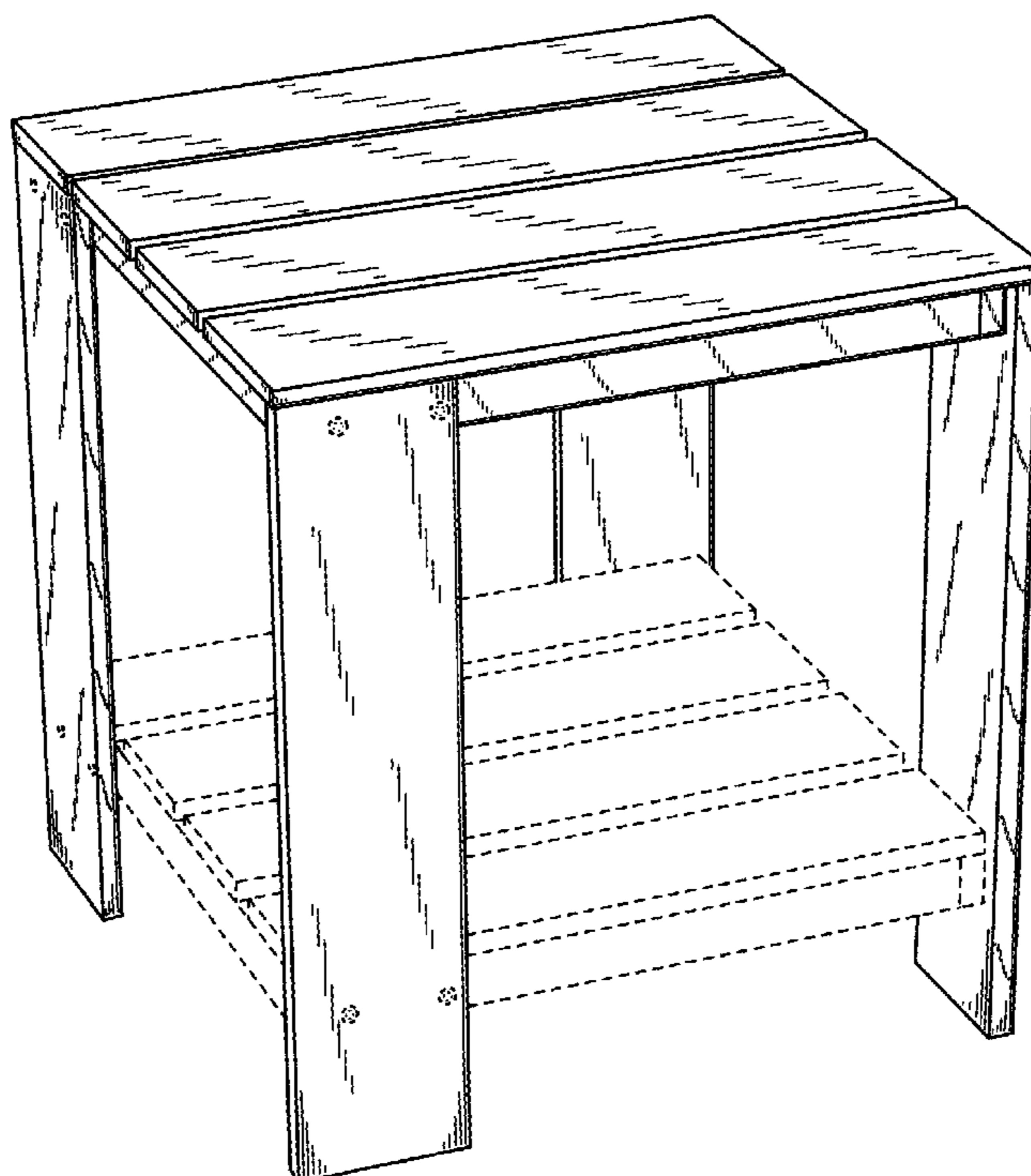
The ornamental design for a side table, as shown and described.

**DESCRIPTION**

FIG. 1 is a perspective view of a side table;  
FIG. 2 is a front view thereof, the back view being identical;  
FIG. 3 is a left side view thereof, the right side being identical;  
FIG. 4 is a top view thereof; and,  
FIG. 5 is a bottom view thereof.

The broken lines shown in the drawings are included for purposes of illustrating portions of the side table and form no part of the claimed design.

**1 Claim, 5 Drawing Sheets**



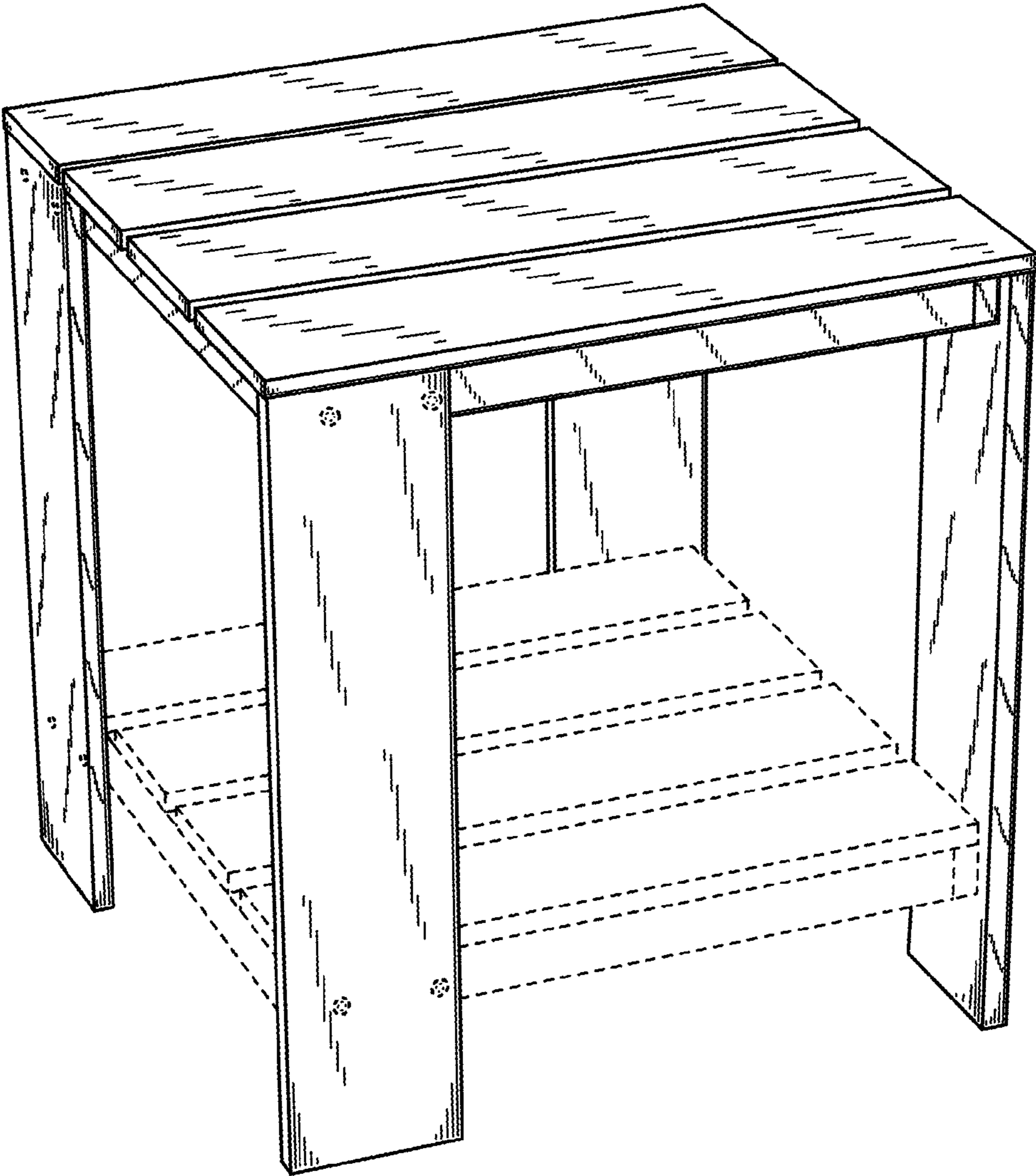


Fig. 1

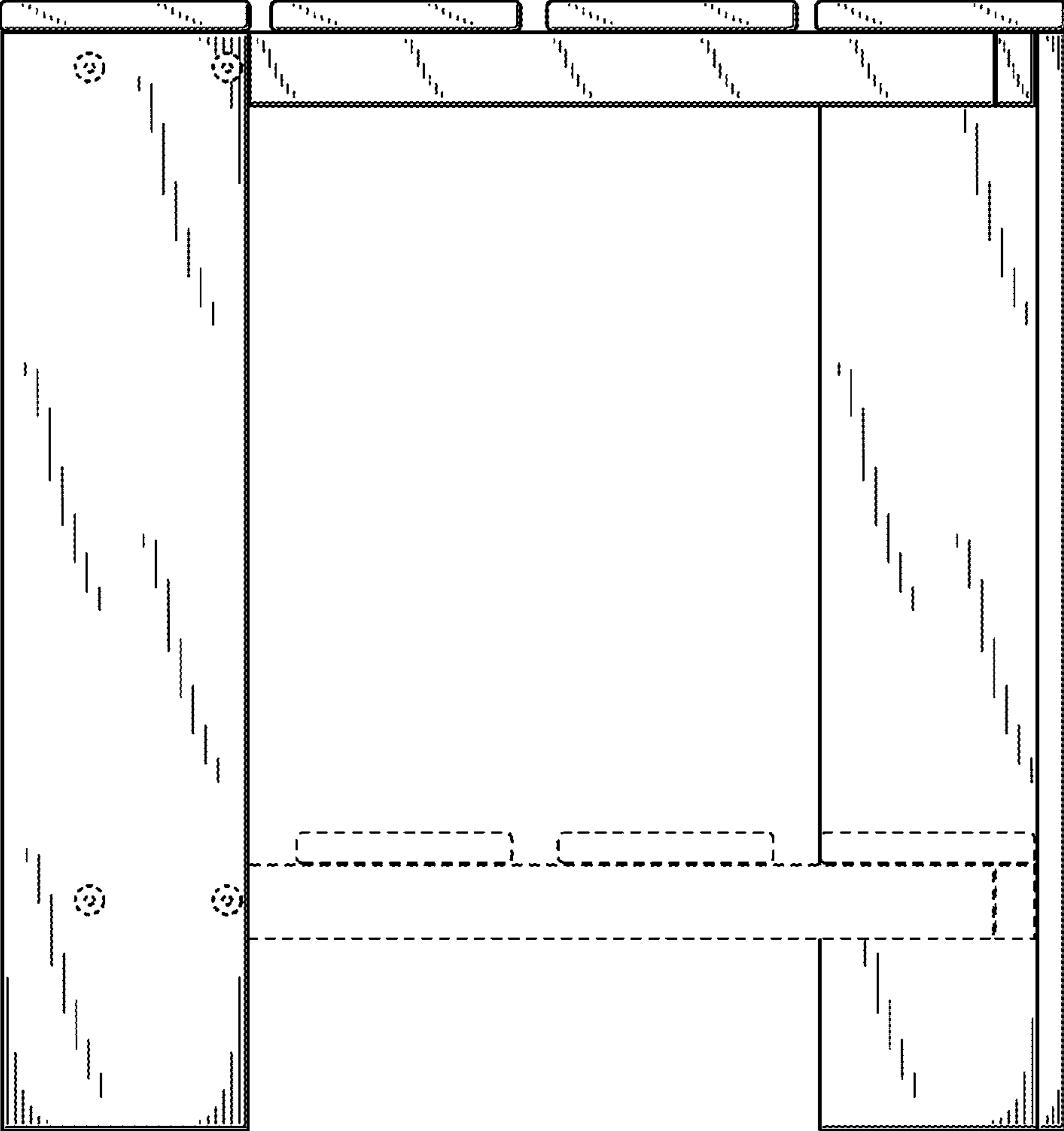


Fig. 2

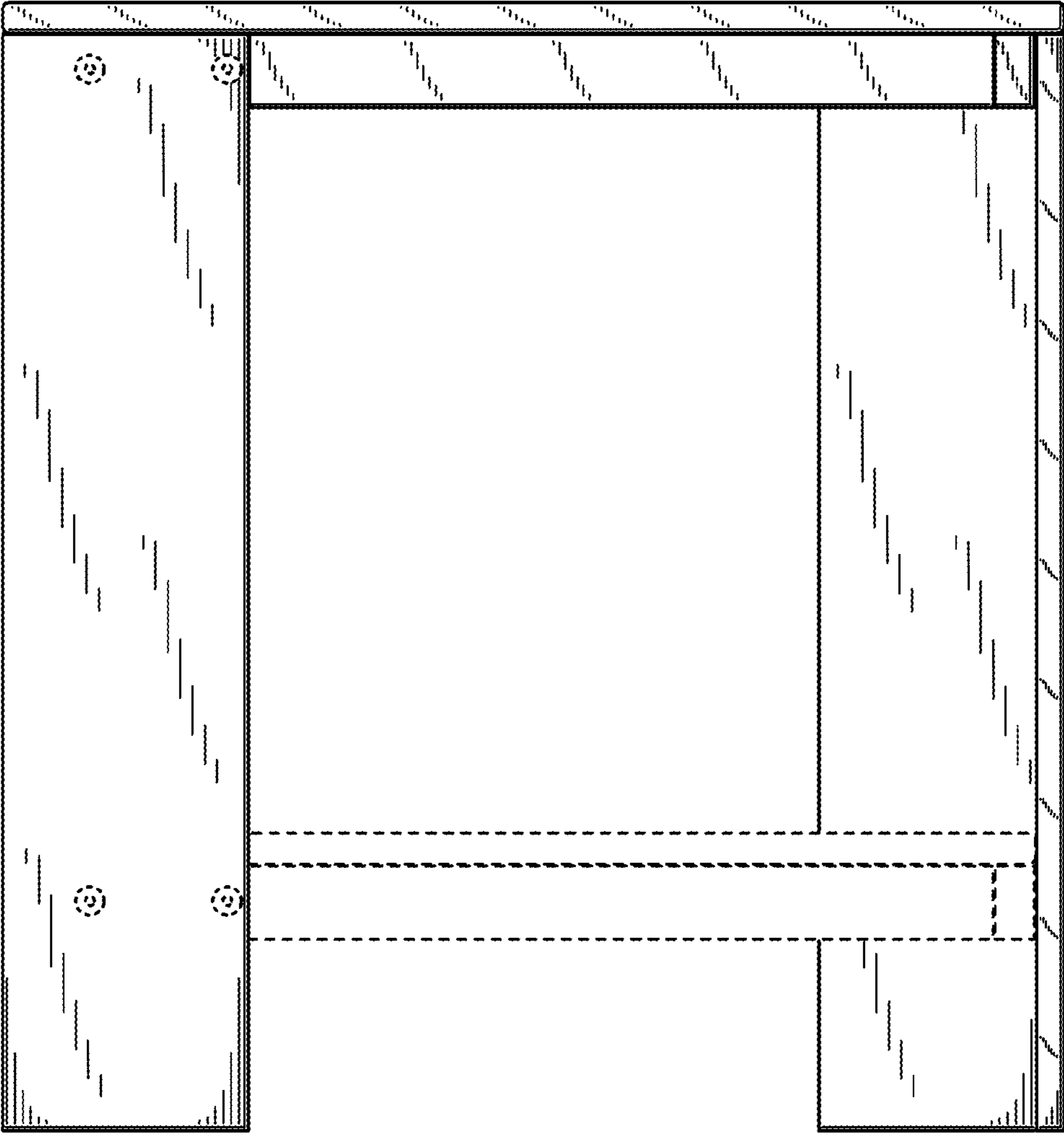


Fig. 3

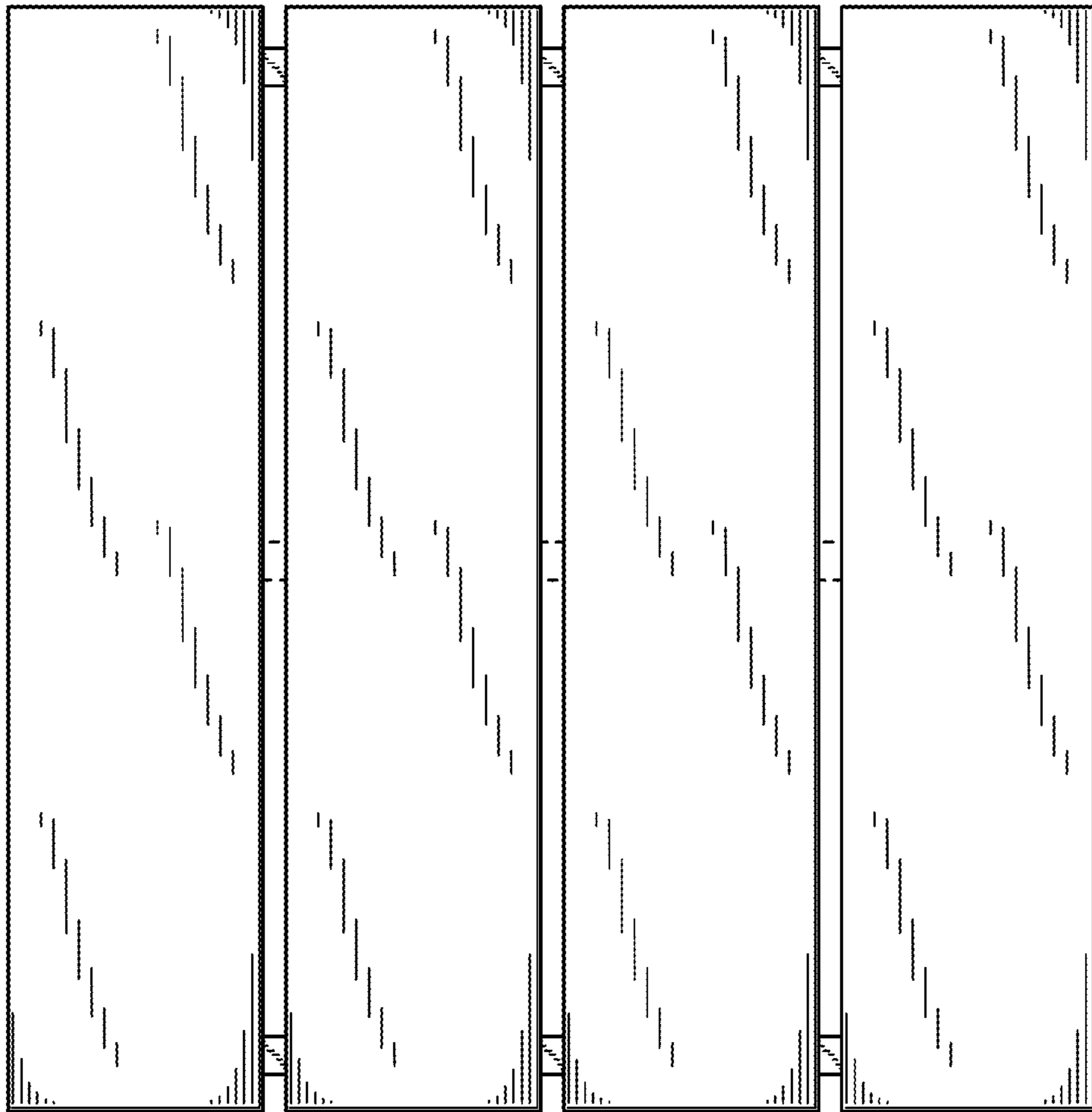


Fig. 4

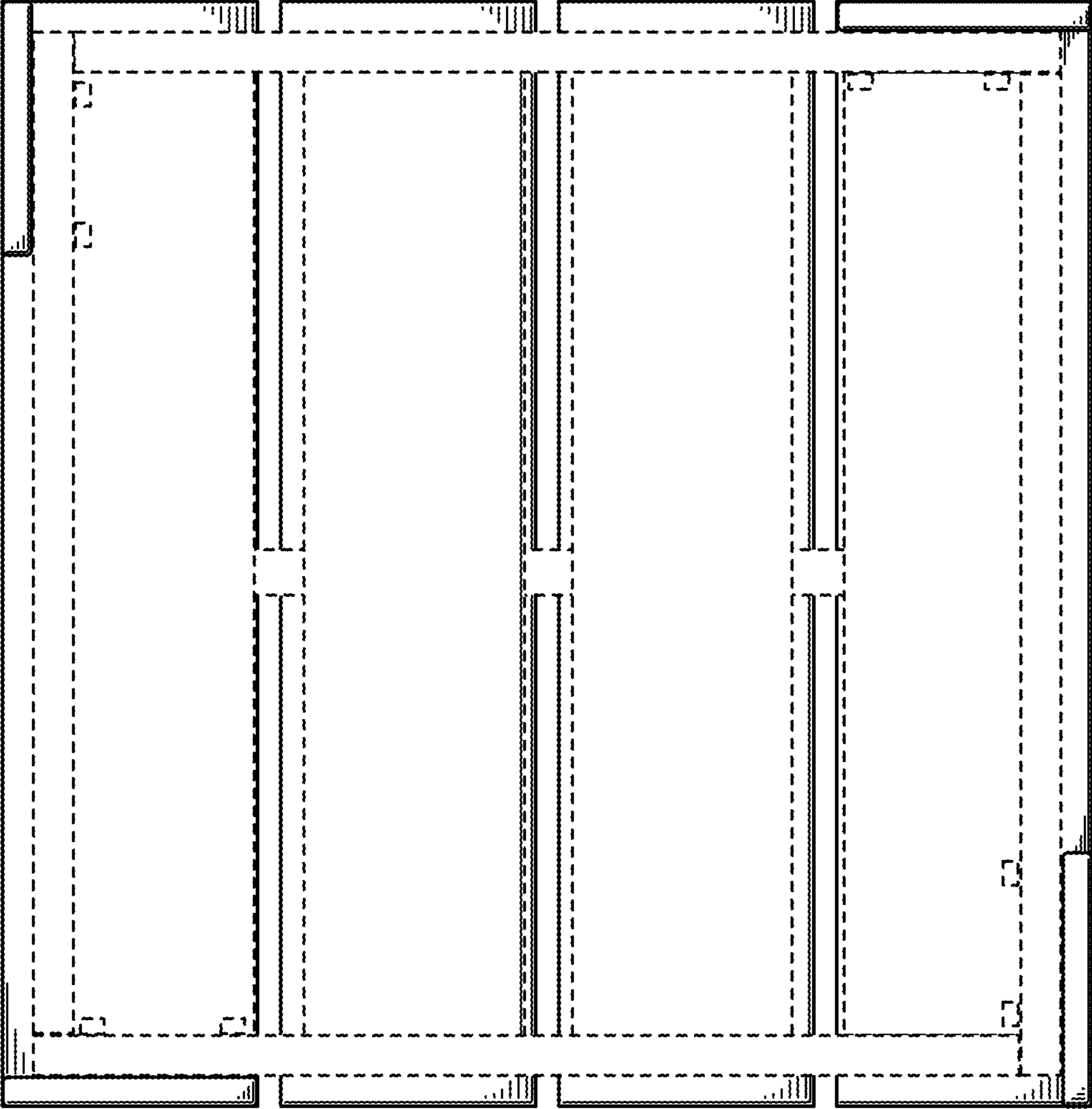


Fig. 5