



US00D739669S

(12) **United States Design Patent**
Mason et al.

(10) **Patent No.:** **US D739,669 S**
(45) **Date of Patent:** **** Sep. 29, 2015**

- (54) **DISPLAY UNIT**
- (71) Applicant: **NEW DIMENSIONS RESEARCH CORPORATION**, Melville, NY (US)
- (72) Inventors: **Timothy L. Mason**, Melville, NY (US); **Jeffrey V. Mason**, Lloyd Harbor, NY (US); **Fred A. Capitelli**, Levittown, NY (US)
- (73) Assignee: **New Dimensions Research Corporation**, Melville, NY (US)
- (**) Term: **14 Years**
- (21) Appl. No.: **29/468,934**
- (22) Filed: **Oct. 4, 2013**
- (51) **LOC (10) Cl.** **06-06**
- (52) **U.S. Cl.**
USPC **D6/675.1**
- (58) **Field of Classification Search**
USPC D6/449, 455, 464, 470-472, 474-475, D6/477-479, 567, 675, 675.1; 108/108, 108/161; 312/107, 114; 211/59.4, 69, 134, 211/186-192
CPC A47F 3/02; A47F 1/065
See application file for complete search history.

- (56) **References Cited**
U.S. PATENT DOCUMENTS

1,711,329 A	4/1929	Short	
2,013,284 A	9/1935	Michaud	
3,385,453 A	5/1968	Dantino et al.	
3,900,112 A	8/1975	Azzi et al.	
D268,068 S	3/1983	Ellenson et al.	
4,662,523 A	5/1987	Stein et al.	
5,115,920 A	5/1992	Tipton et al.	
D334,495 S *	4/1993	Bustos	D6/470
D343,322 S	1/1994	Kay	
D381,546 S	7/1997	Hunt	
D383,339 S	9/1997	Grosfillex	

- D419,338 S * 1/2000 Battaglia D6/473
- D451,305 S * 12/2001 Chang et al. D6/467
- 6,347,710 B1 2/2002 Ryan, Jr. et al.
- 6,435,353 B2 8/2002 Ryan, Jr. et al.
- D485,460 S 1/2004 Bidwell et al.
- D486,324 S 2/2004 Mason
- D489,556 S 5/2004 Mason
- D493,009 S 7/2004 Ken
- D496,193 S 9/2004 Mason
- 6,877,618 B2 4/2005 Mason
- D511,426 S 11/2005 Mason
- D521,286 S 5/2006 Colmenares
- D524,586 S 7/2006 Menard
- D526,818 S * 8/2006 Sparkowski D6/465
- D530,541 S * 10/2006 Raile D6/479
- D530,940 S * 10/2006 Raile D6/479
- 7,131,543 B2 11/2006 Mason
- D537,274 S 2/2007 Pirro et al.
- 7,182,209 B2 2/2007 Squitieri
- D555,952 S 11/2007 Colmenares

(Continued)

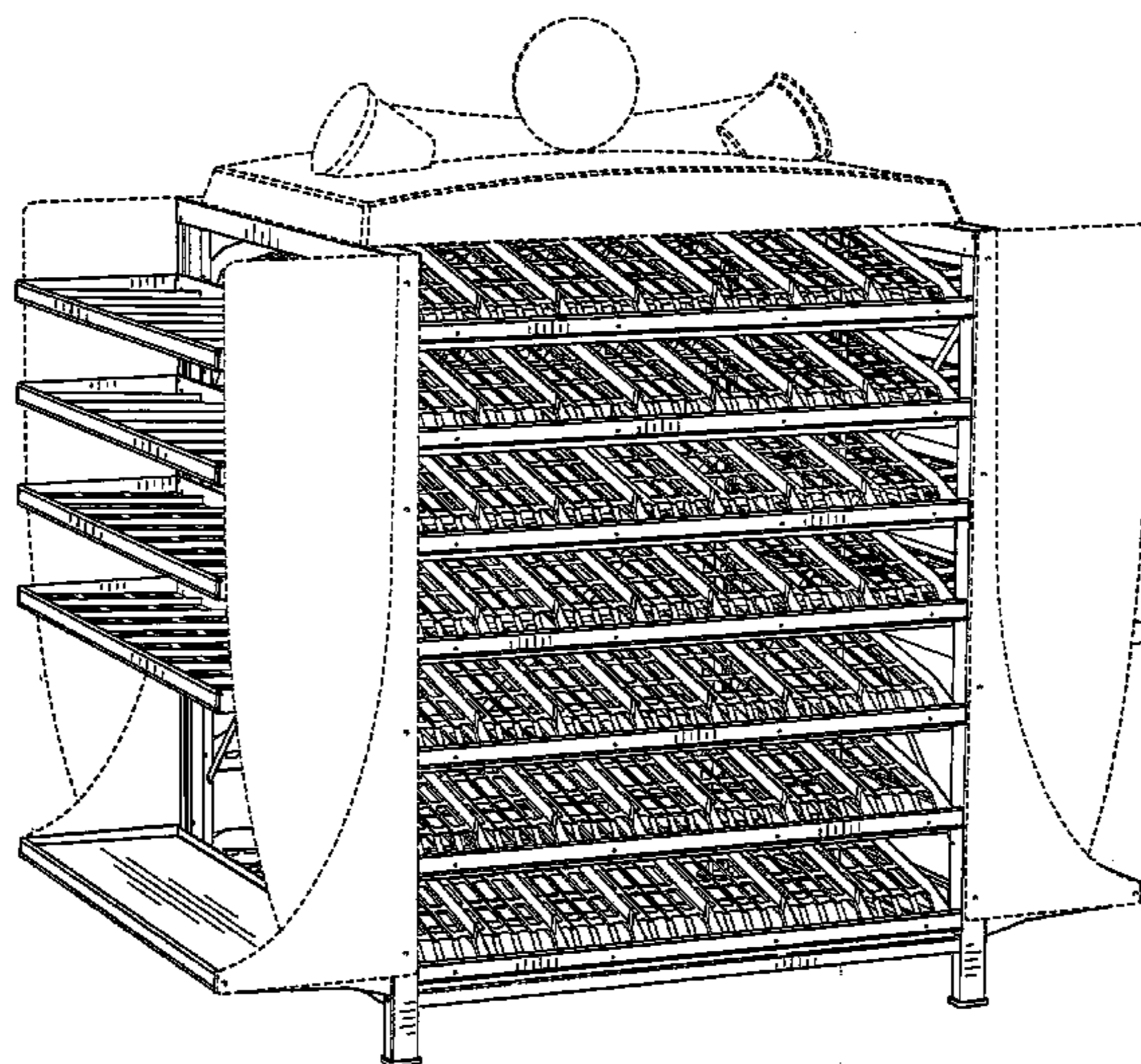
Primary Examiner — Kelley Donnelly
(74) *Attorney, Agent, or Firm* — Collard & Roe, P.C.

(57) **CLAIM**
The ornamental design for a display unit, as shown and described.

DESCRIPTION

FIG. 1 shows a first perspective view of our design for a display unit;
FIG. 2 shows an elevational view of a first side thereof, the opposite side being identical thereto;
FIG. 3 shows an elevational view of a second side thereof, the opposite side being identical thereto;
FIG. 4 shows a top plan view thereof;
FIG. 5 shows a bottom plan view thereof;
FIG. 6 shows a second perspective view thereof; and,
FIG. 7 shows a third perspective view thereof, rotated 90 degrees from the perspective view shown in FIG. 6.
The elements shown in broken lines depict environmental structure only and form no part of the claimed design.

1 Claim, 7 Drawing Sheets



(56)

References Cited

U.S. PATENT DOCUMENTS

D566,989 S	4/2008	Mason		D676,694 S	2/2013	Daily	
D576,426 S *	9/2008	Yuen-Schat et al.	D6/474	D681,981 S	5/2013	Sharpe et al.	
D586,148 S	2/2009	Mason		D686,749 S	7/2013	Trump	
D589,287 S	3/2009	Welsch et al.		D687,253 S	8/2013	McIntyre	
D607,020 S	12/2009	Baacke et al.		D691,404 S	10/2013	Baum	
D612,633 S	3/2010	Mason		8,646,935 B2	2/2014	Karan	
D632,907 S	2/2011	Clark et al.		8,651,288 B2	2/2014	Squitieri	
D634,570 S	3/2011	Lin		D701,408 S	3/2014	Mason et al.	
D637,421 S *	5/2011	Theisen et al.	D6/478	2002/0027115 A1 *	3/2002	Gay et al.	211/187
D637,422 S *	5/2011	Theisen et al.	D6/478	2003/0164663 A1 *	9/2003	Chang et al.	312/107
D655,105 S	3/2012	Mason		2004/0211736 A1	10/2004	Mason	
D655,107 S	3/2012	Clark et al.		2006/0011565 A1	1/2006	Pirro et al.	
8,231,017 B2	7/2012	Clontz et al.		2006/0043846 A1	3/2006	Kamp et al.	
				2011/0127226 A1	6/2011	Rataiczak, III et al.	
				2011/0278246 A1	11/2011	Daily	

* cited by examiner

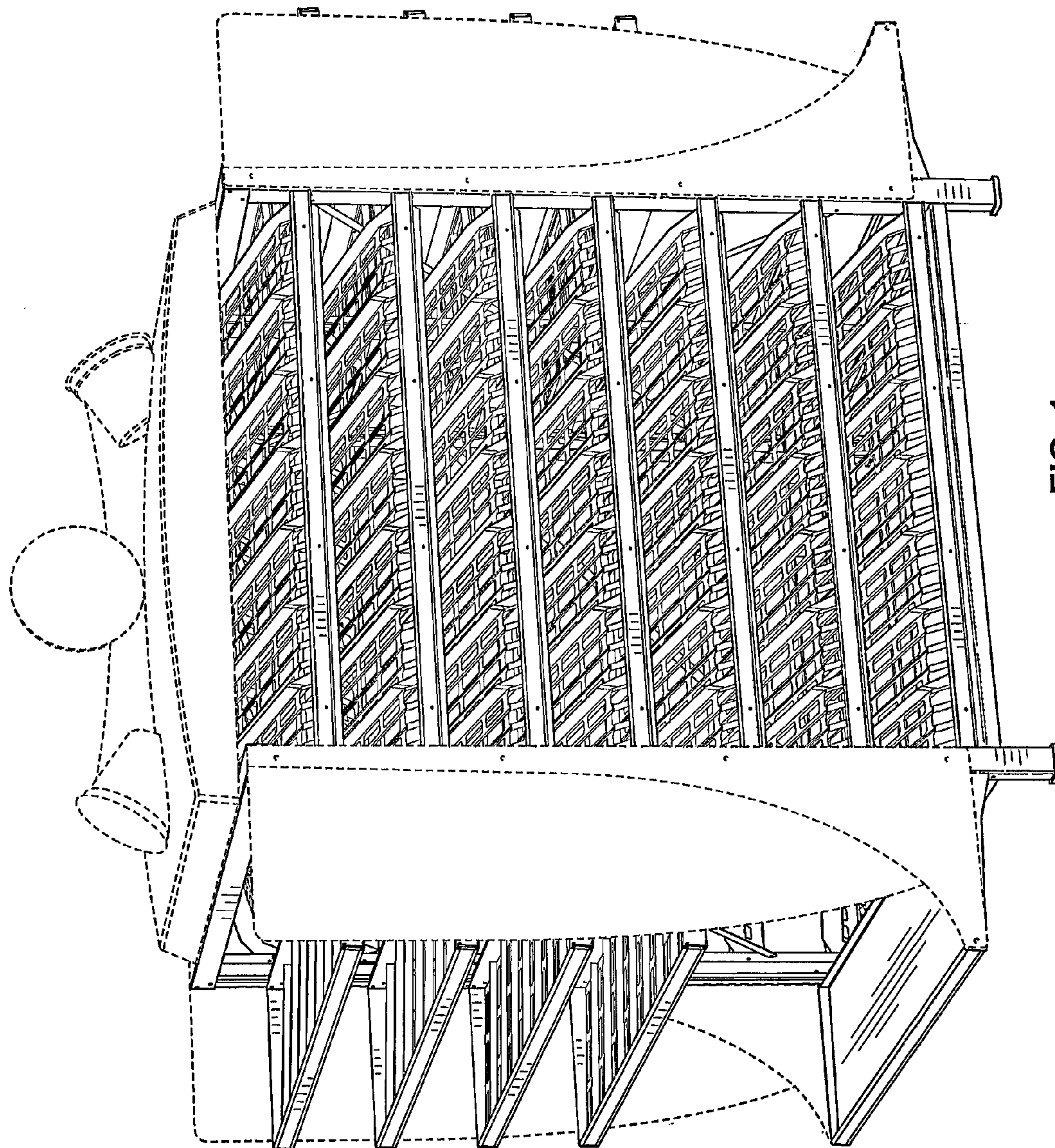


FIG. 1

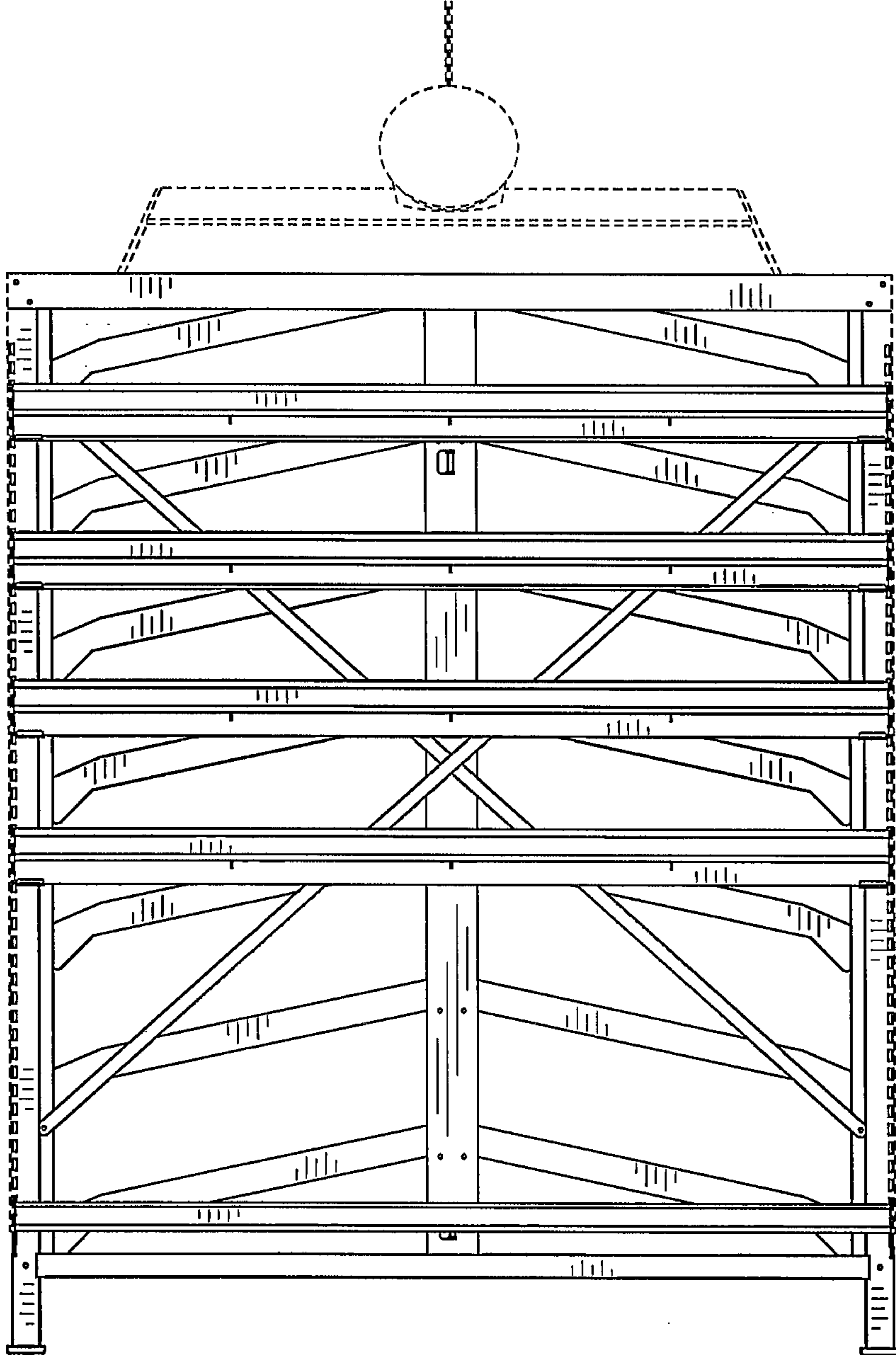


FIG. 2

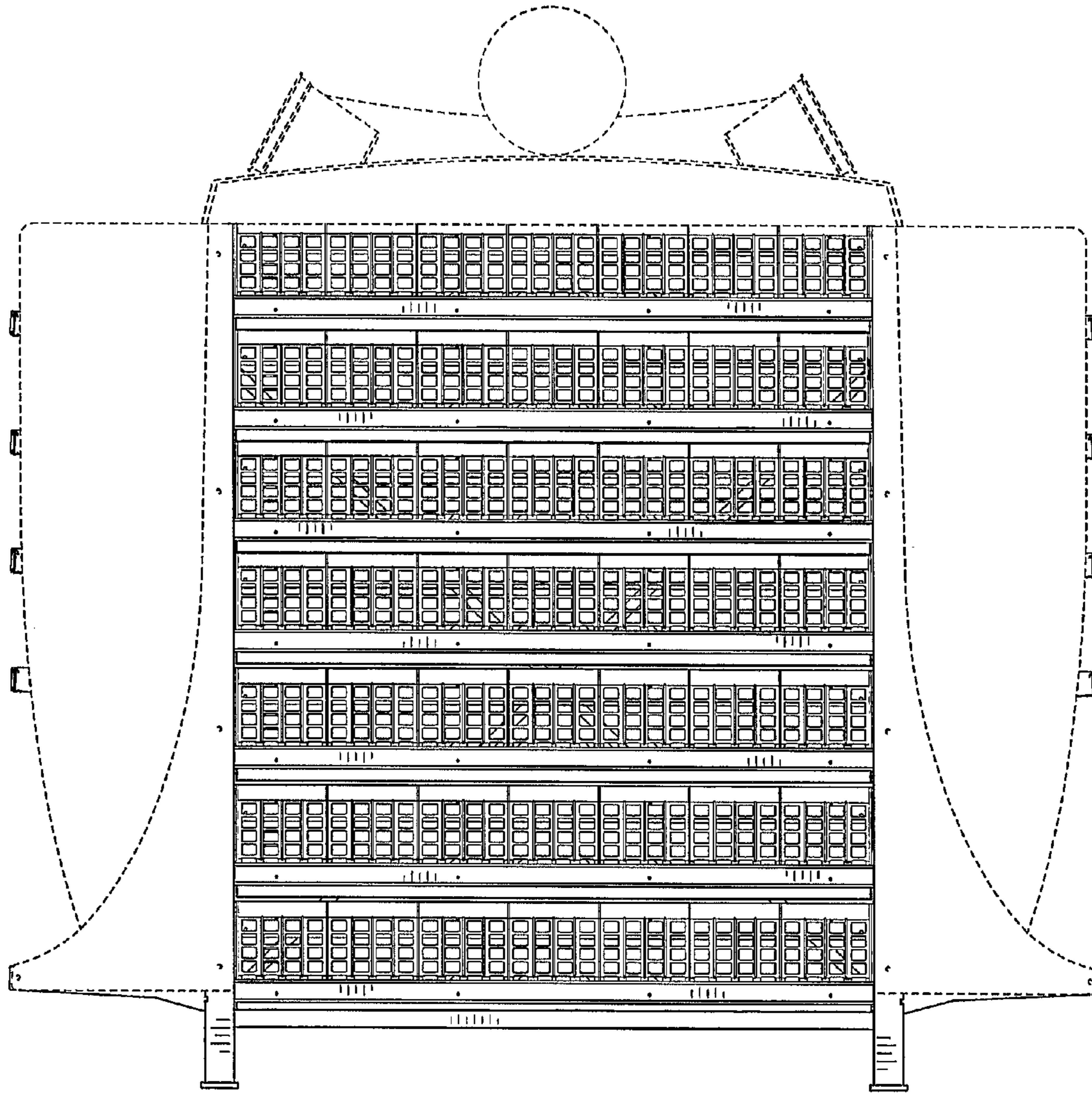


FIG. 3

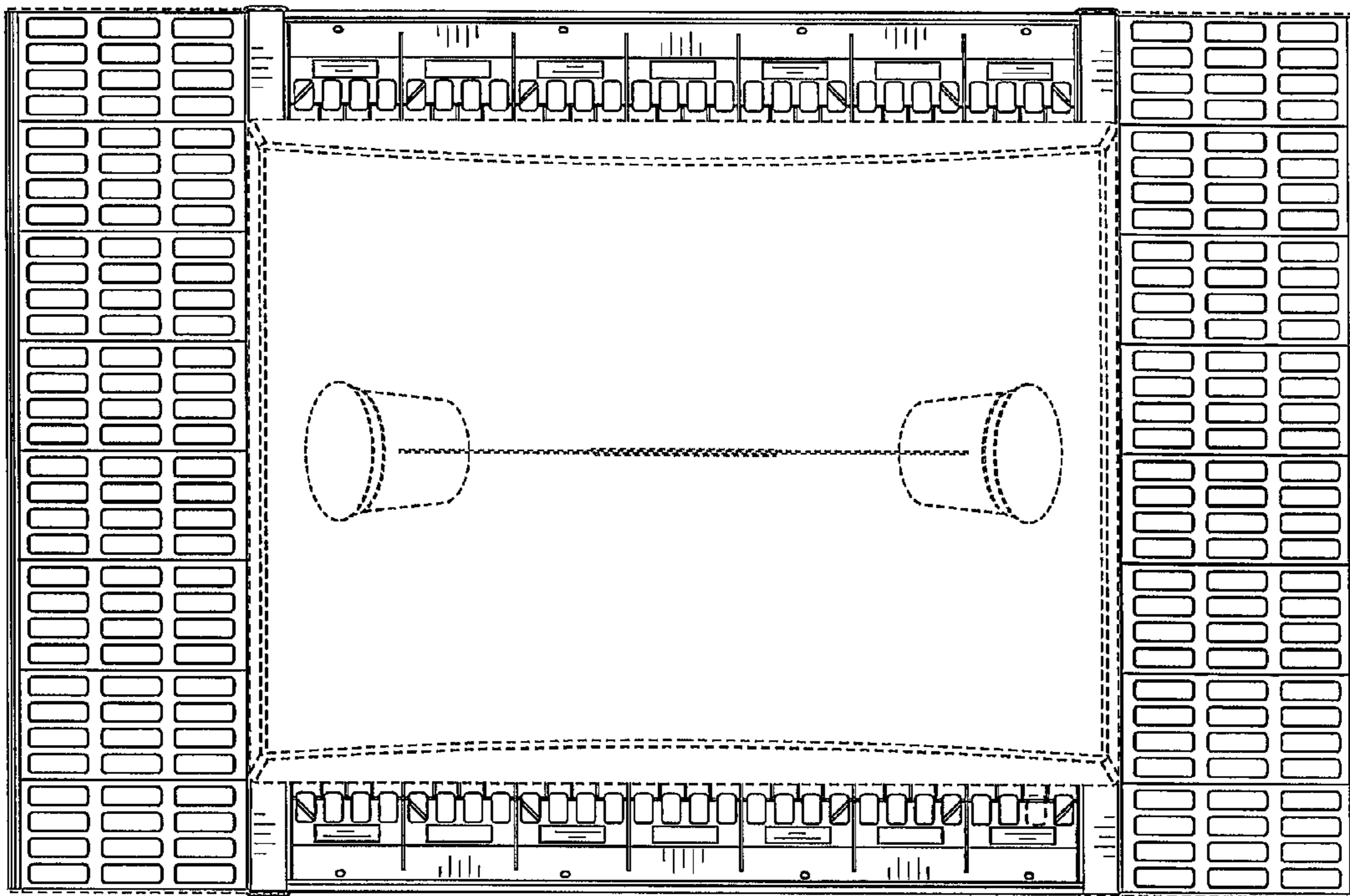


FIG. 4

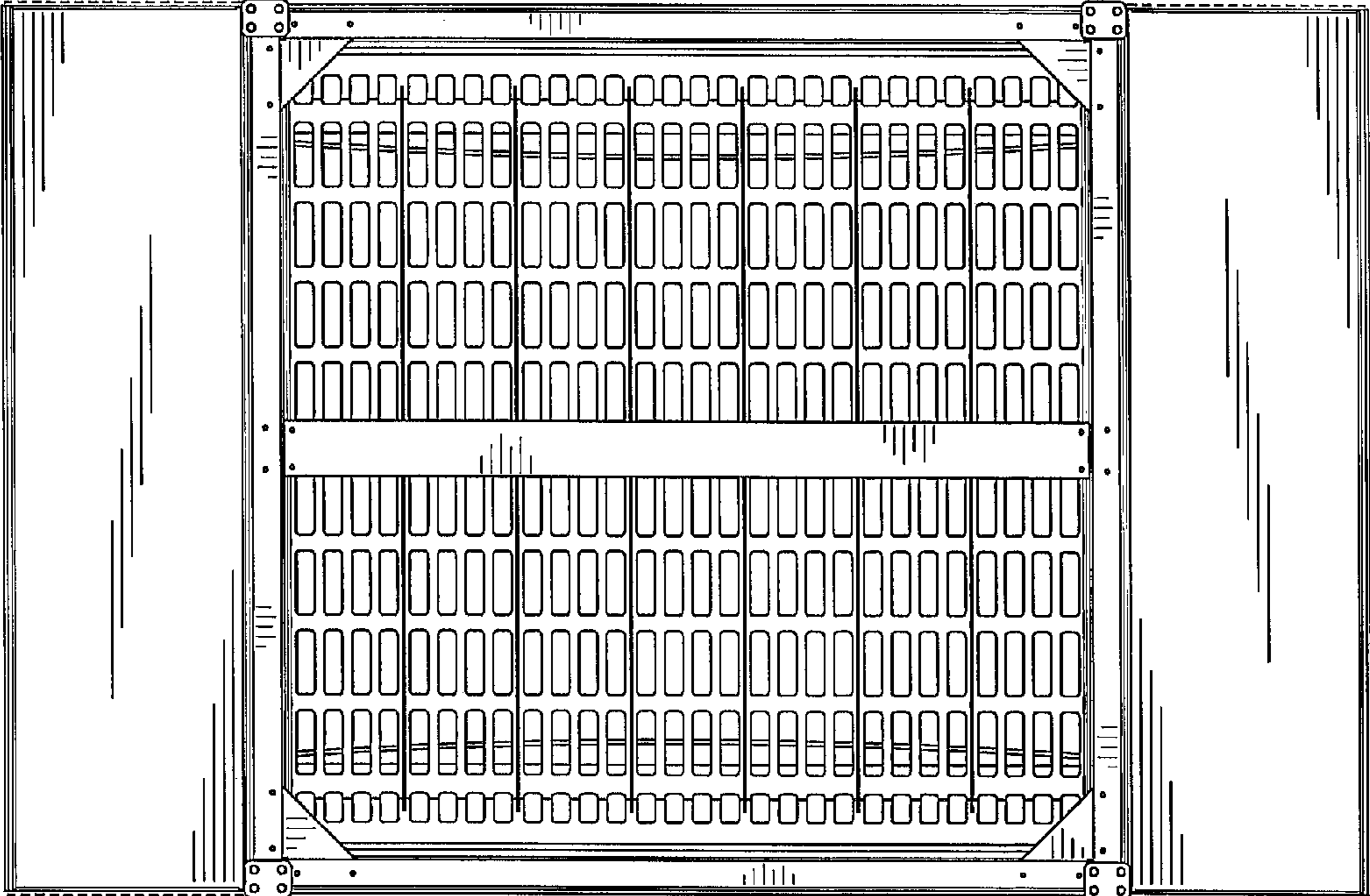


FIG. 5

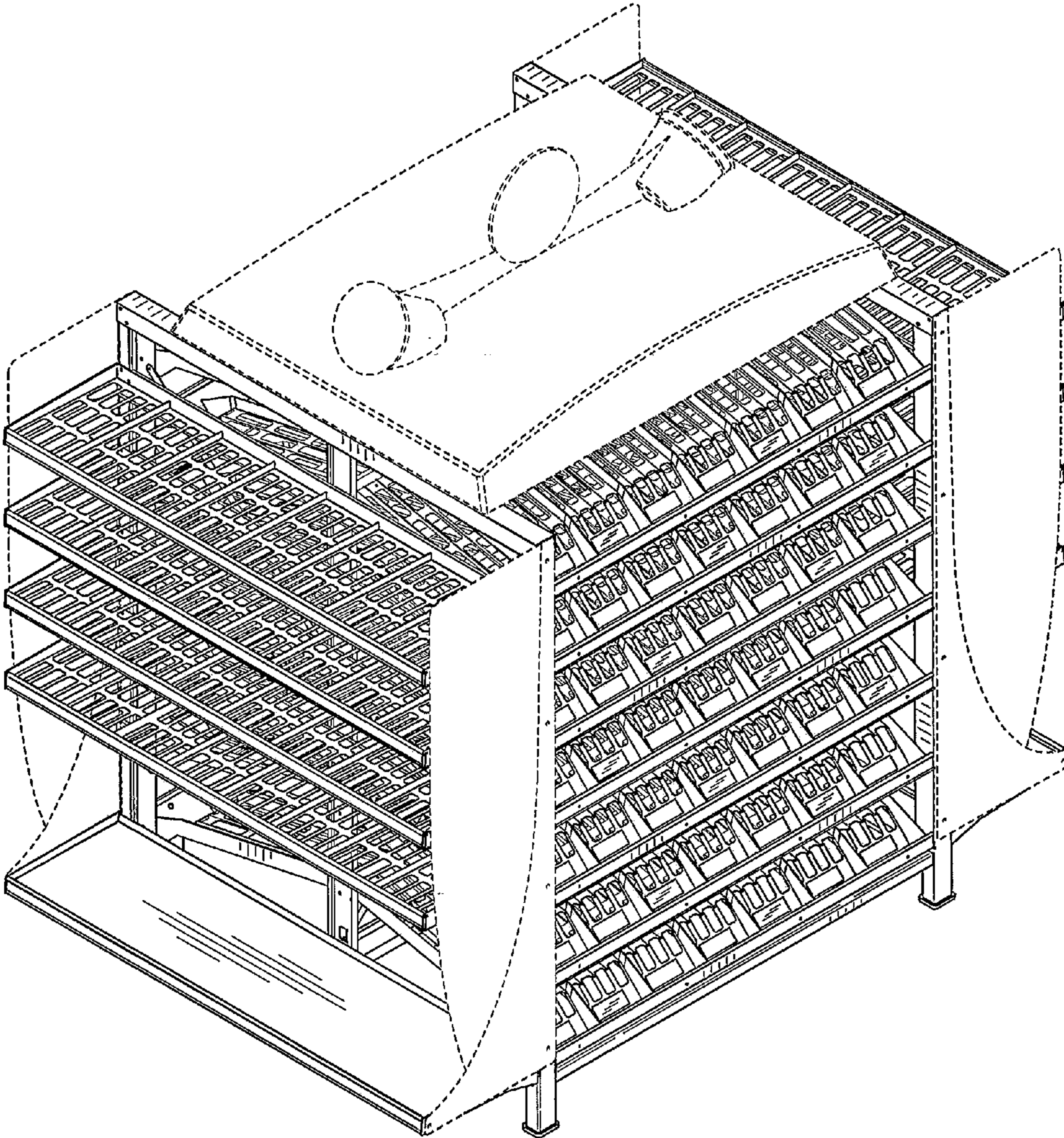


FIG. 6

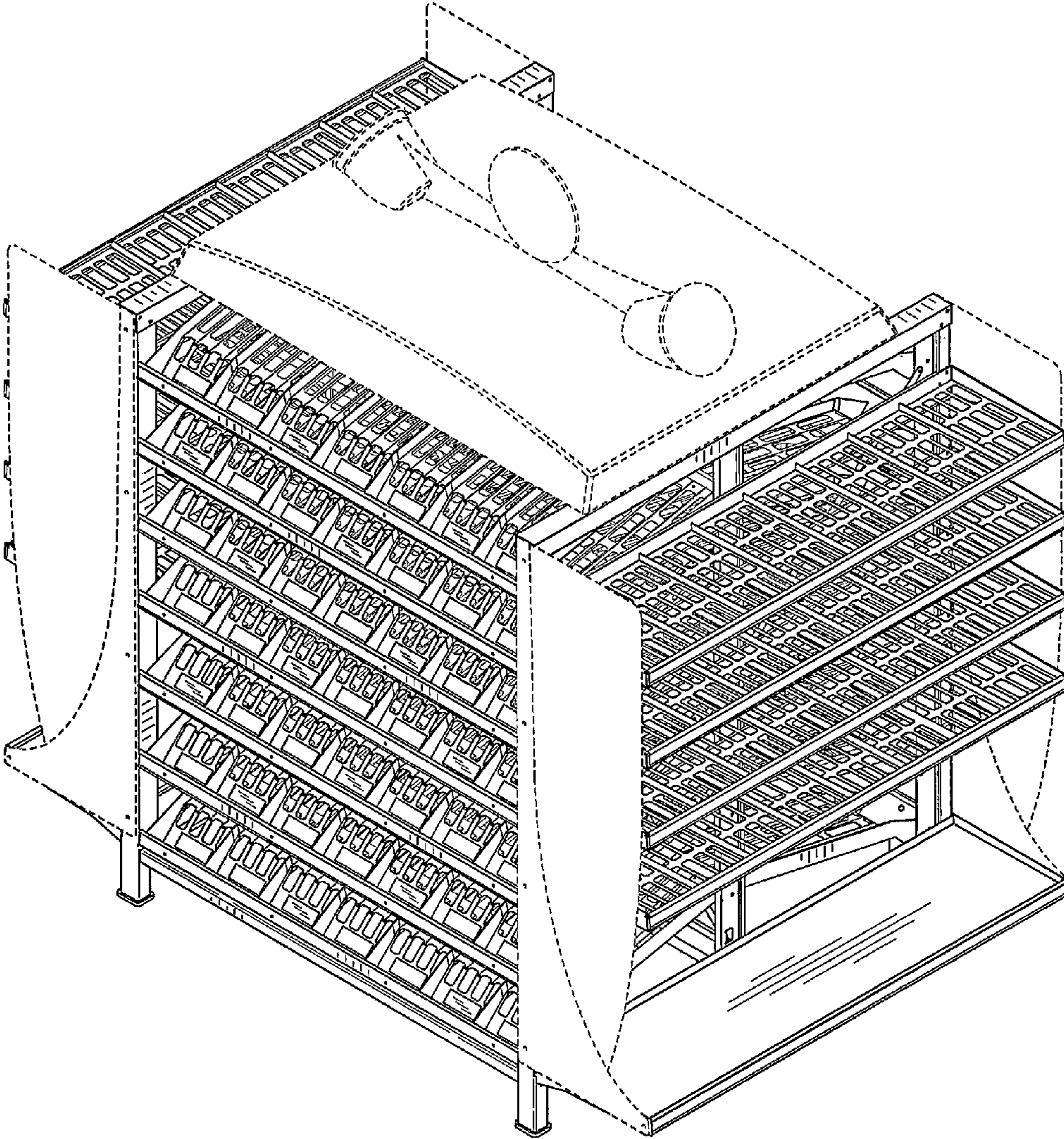


FIG. 7