



US00D739666S

(12) **United States Design Patent**
Schofield

(10) **Patent No.:** **US D739,666 S**

(45) **Date of Patent:** **** Sep. 29, 2015**

(54) **CARTRIDGE FOR A WASTE STORAGE DEVICE**

(71) Applicant: **Sangenic International Limited,**
Northumberland (GB)

(72) Inventor: **Paul Schofield,** North Yorkshire (GB)

(73) Assignee: **Sangenic International, Ltd.,**
Cramlington, Northumberland (GB)

(**) Term: **14 Years**

(21) Appl. No.: **29/478,991**

(22) Filed: **Jan. 10, 2014**

(30) **Foreign Application Priority Data**

Jul. 25, 2013 (EM) RCD001379358-0006
Jul. 25, 2013 (EM) RCD001379358-0007

(51) **LOC (10) Cl.** **20-02**

(52) **U.S. Cl.**
USPC **D6/515**

(58) **Field of Classification Search**
USPC D6/515, 518; D34/10; 206/390, 397,
206/409, 303; 220/908, 909, 403, 404, 407;
53/549, 567, 576; D7/354, 357, 677,
D7/359

See application file for complete search history.

(56) **References Cited**

U.S. PATENT DOCUMENTS

D695,541 S * 12/2013 Dunn et al. D6/515
D701,056 S * 3/2014 Morand D6/515
D705,568 S * 5/2014 Morand D6/515
D706,055 S * 6/2014 Morand D6/515

* cited by examiner

Primary Examiner — Brian N Vinson

(74) *Attorney, Agent, or Firm* — Olson & Cepuritis, Ltd.

(57) **CLAIM**

The ornamental design for a cartridge for a waste storage device, as shown and described.

DESCRIPTION

FIG. 1 is a perspective view of the full cartridge for a waste storage device;

FIG. 2 is a front elevation view of the full cartridge for the waste storage device shown in FIG. 1;

FIG. 3 is a back elevation view of the full cartridge for the waste storage device shown in FIG. 1;

FIG. 4 is a side elevation view of the full cartridge for the waste storage device shown in FIG. 1;

FIG. 5 is an opposite side elevation view of the full cartridge for the waste storage device shown in FIG. 1;

FIG. 6 is a top plan view of the full cartridge for the waste storage device of FIG. 1;

FIG. 7 is a bottom plan view of the full cartridge for the waste storage device of FIG. 1;

FIG. 8 is a perspective view of a part of the cartridge for the waste storage device shown in FIG. 1;

FIG. 9 is a front elevation view of the part of the cartridge for the waste storage device shown in FIG. 8;

FIG. 10 is a back elevation view of the part of the cartridge for the waste storage device shown in FIG. 8;

FIG. 11 is a side elevation view of the part of the cartridge for the waste storage device shown in FIG. 8;

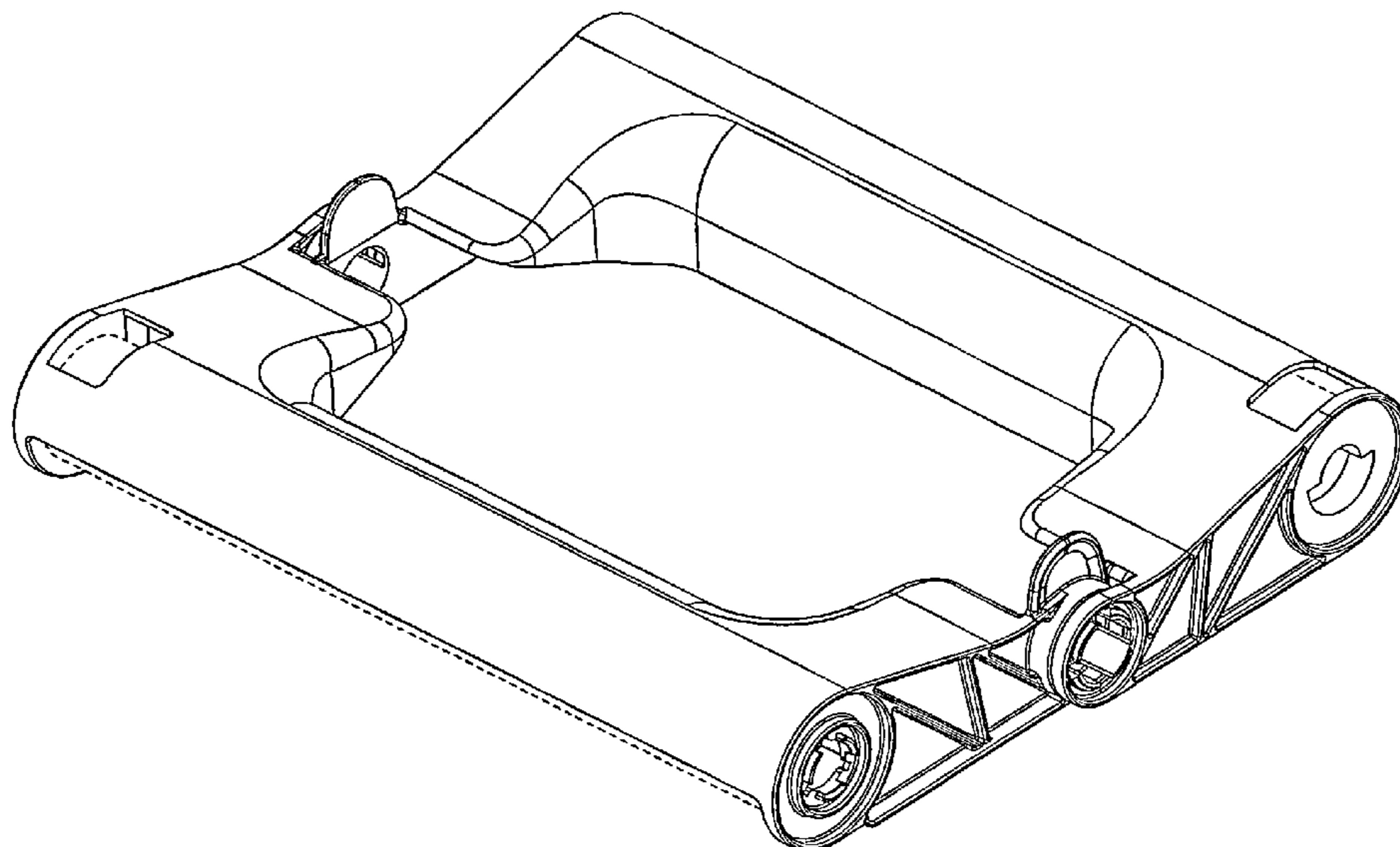
FIG. 12 is an opposite side elevation view of the part of the cartridge for the waste storage device shown in FIG. 8;

FIG. 13 is a top plan view of the part of the cartridge for the waste storage device of FIG. 8; and,

FIG. 14 is a bottom plan view of the part of the full cartridge for the waste storage device of FIG. 8.

The broken line disclosure in the views is for illustrative purposes only and forms no part of the claimed design.

1 Claim, 14 Drawing Sheets



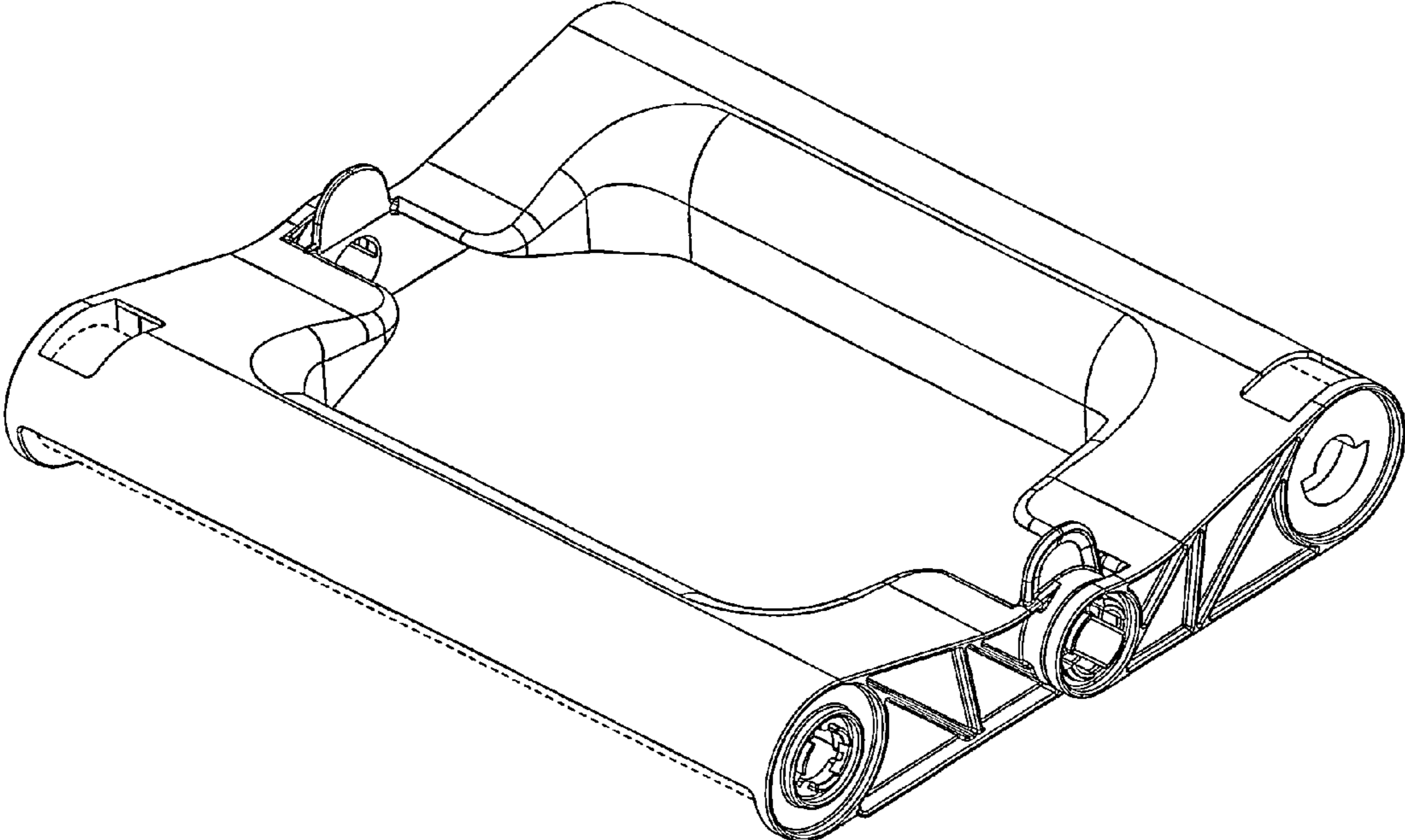


FIG. 1

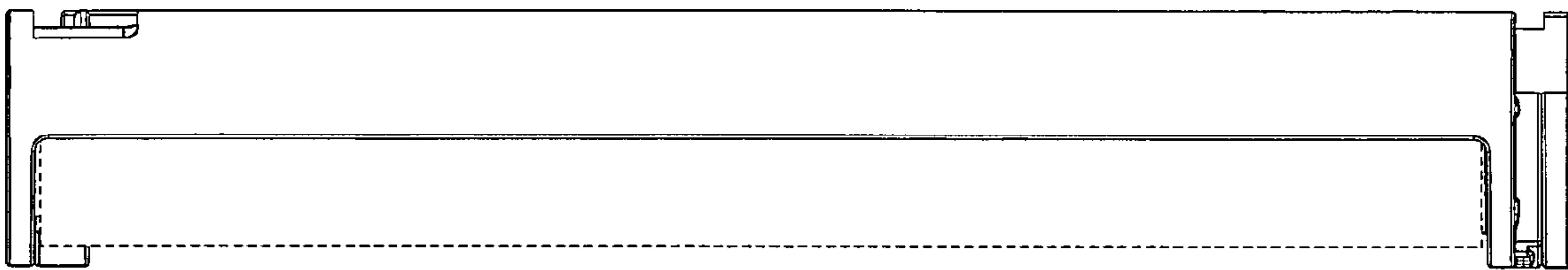


FIG. 2

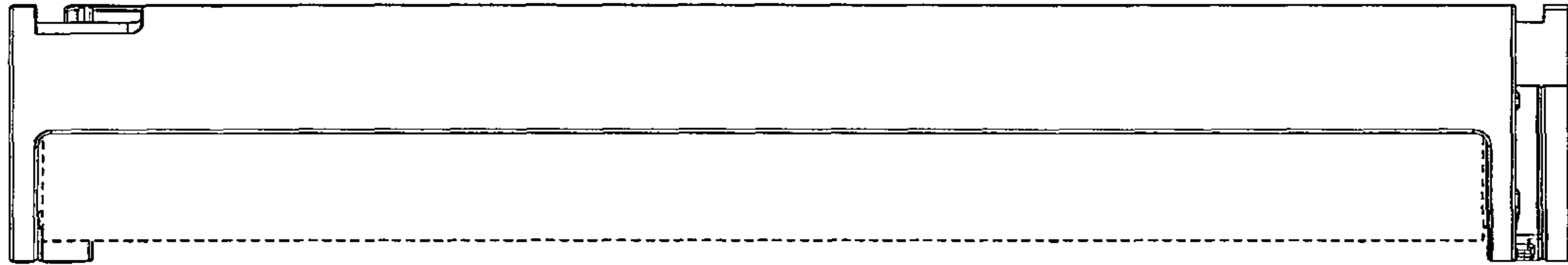


FIG. 3

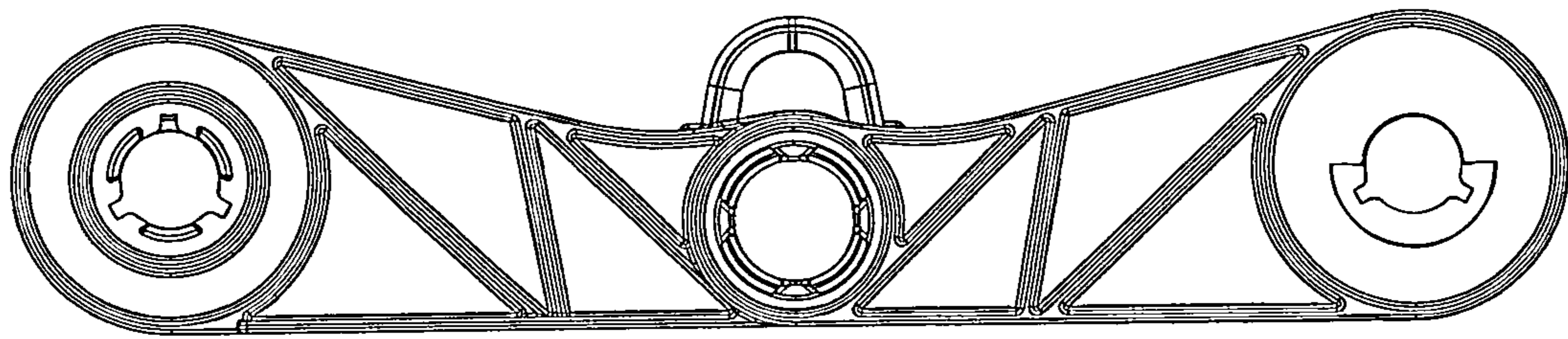


FIG. 4

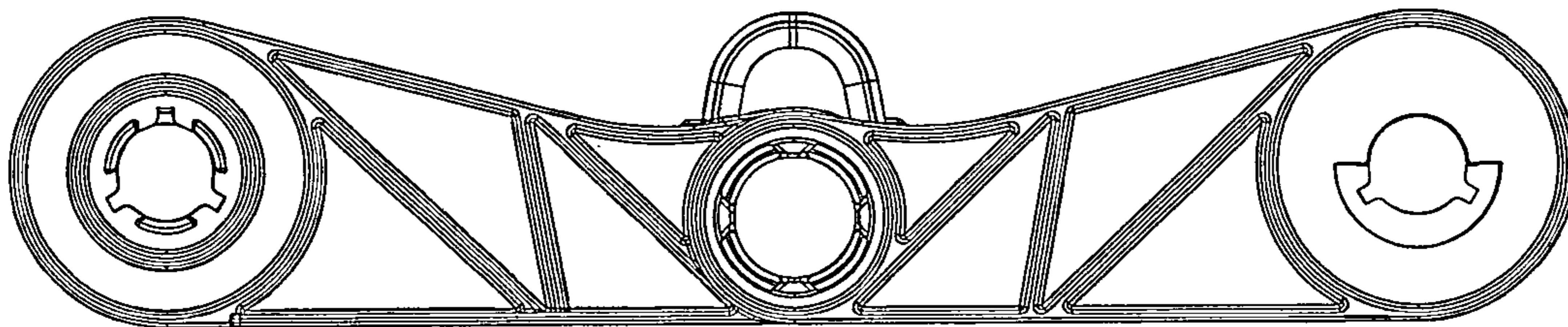


FIG. 5

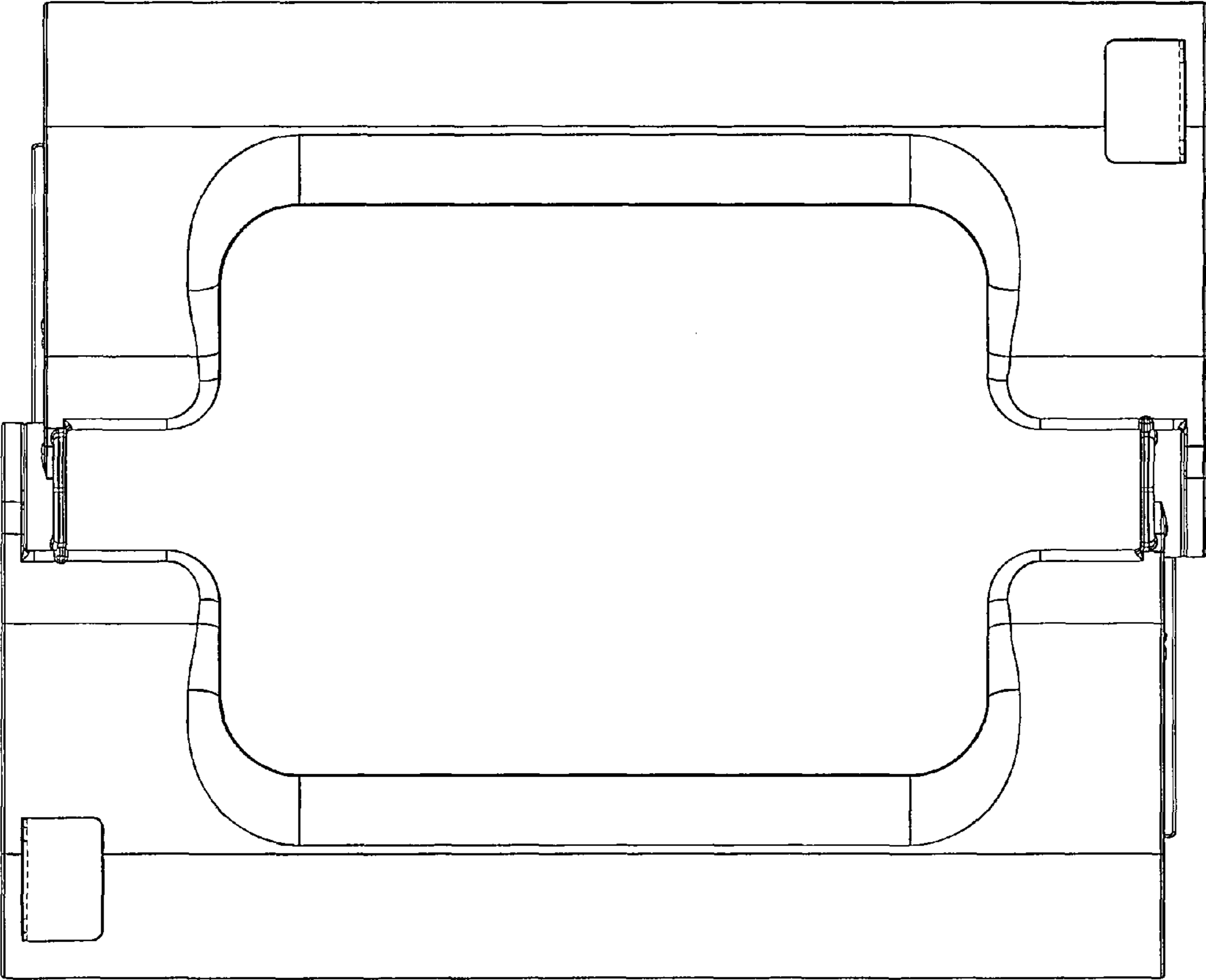


FIG. 6

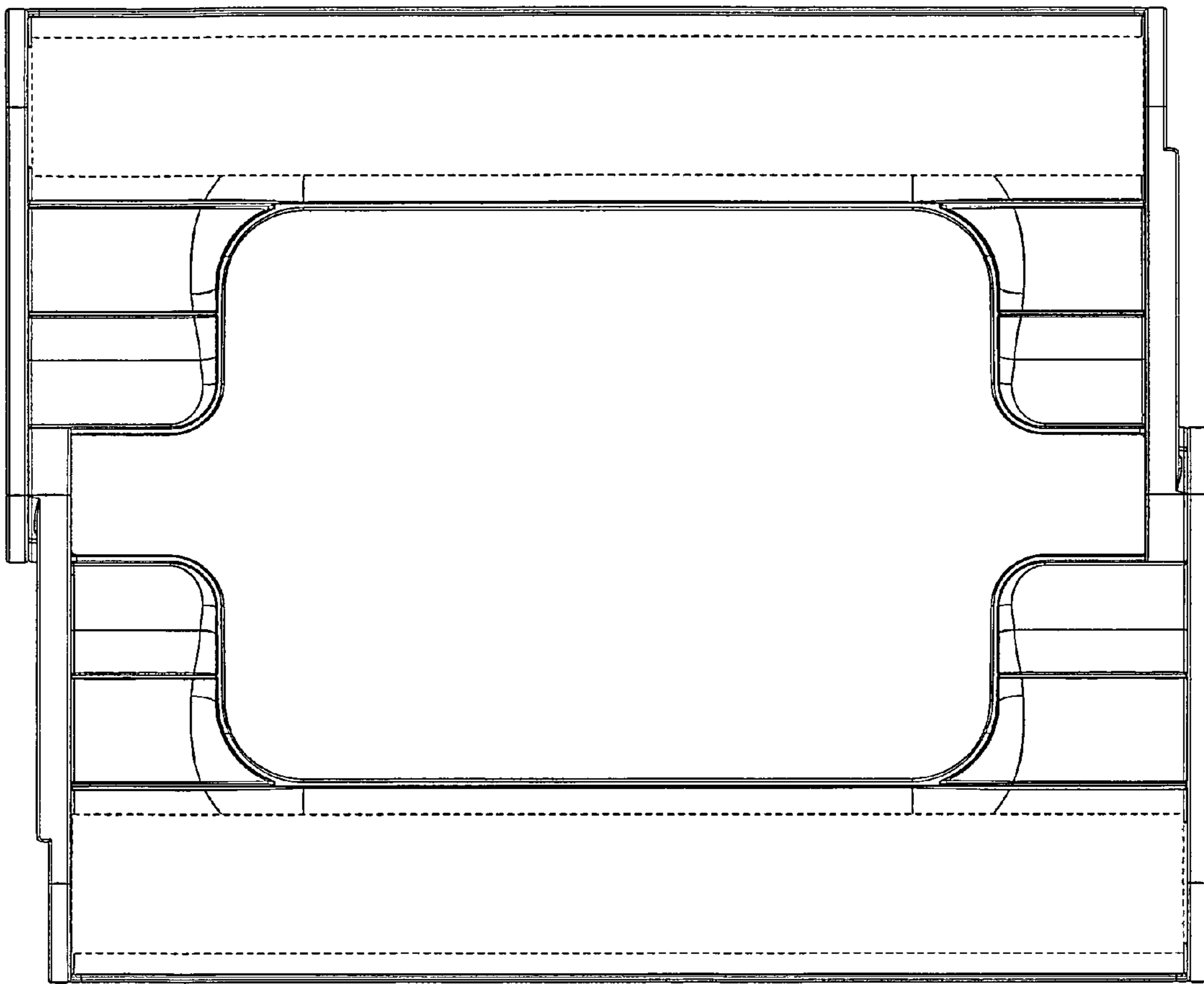


FIG. 7

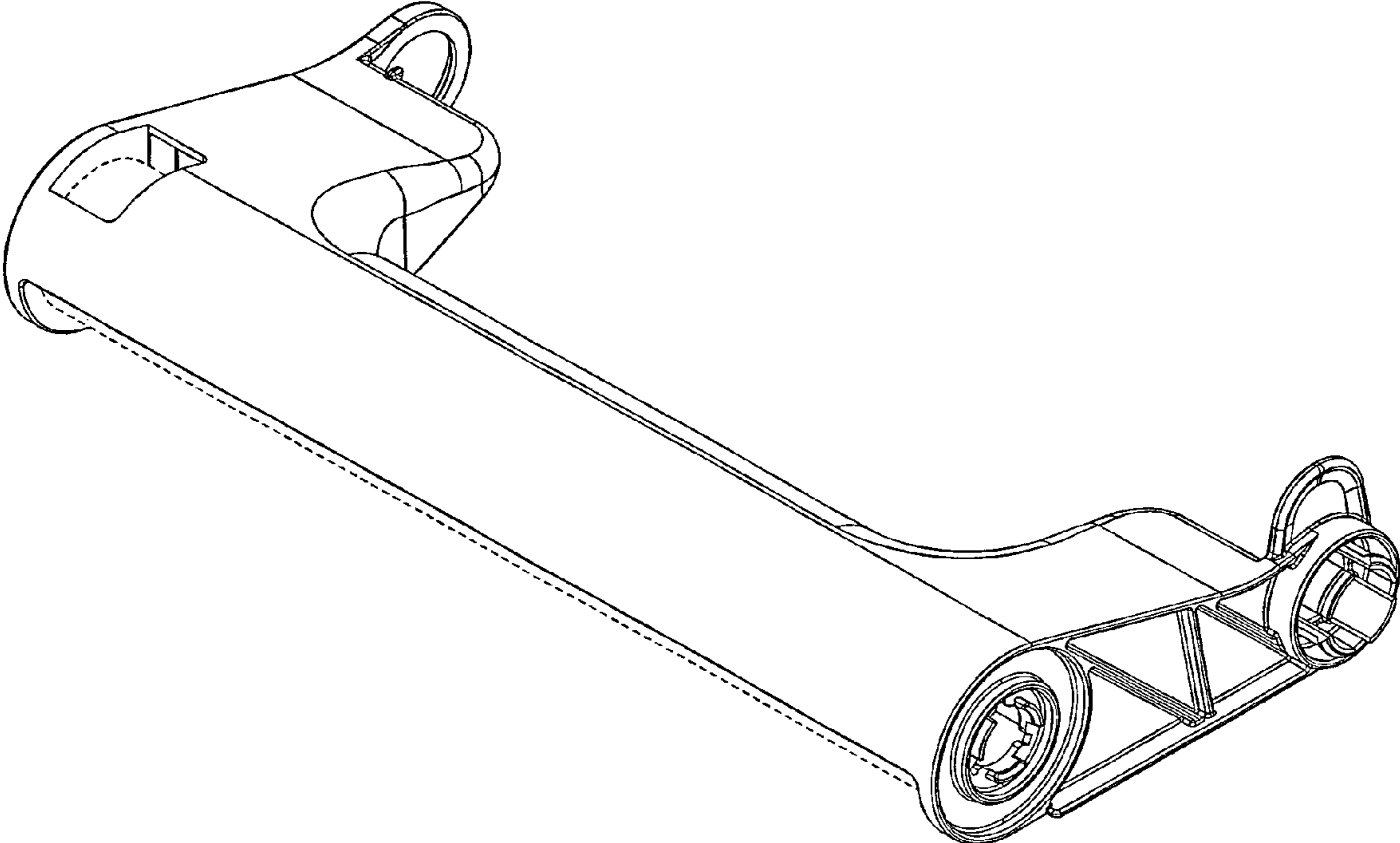


FIG. 8

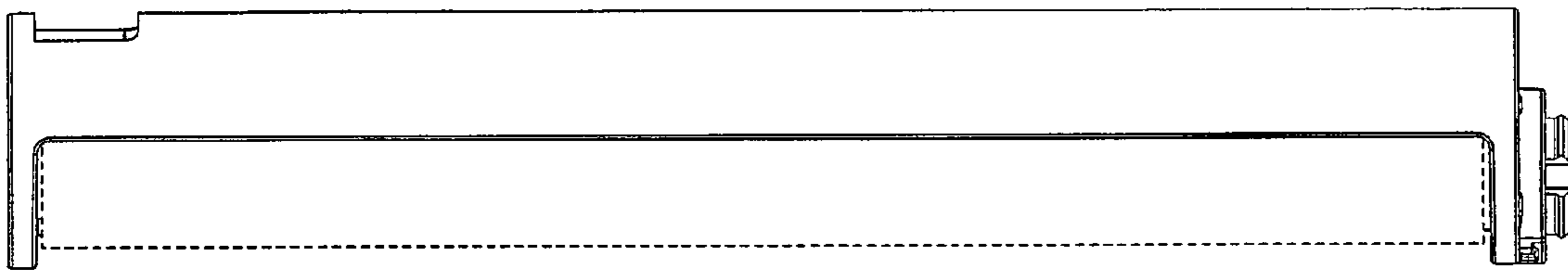


FIG. 9

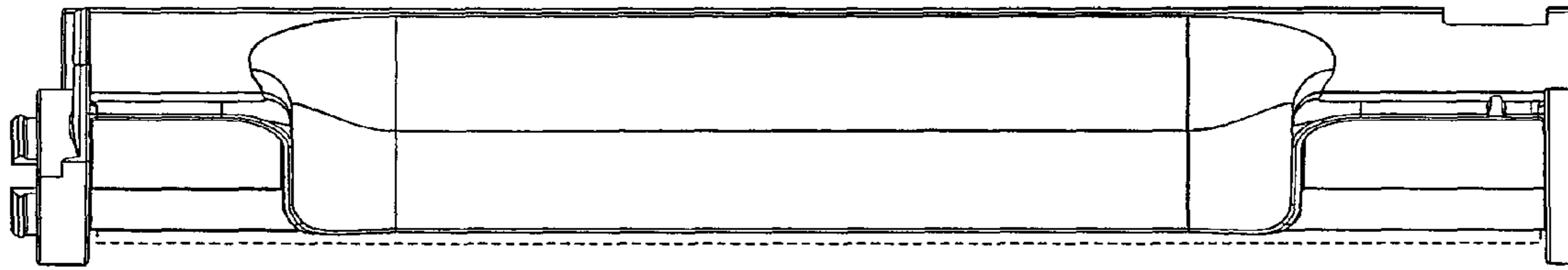


FIG. 10

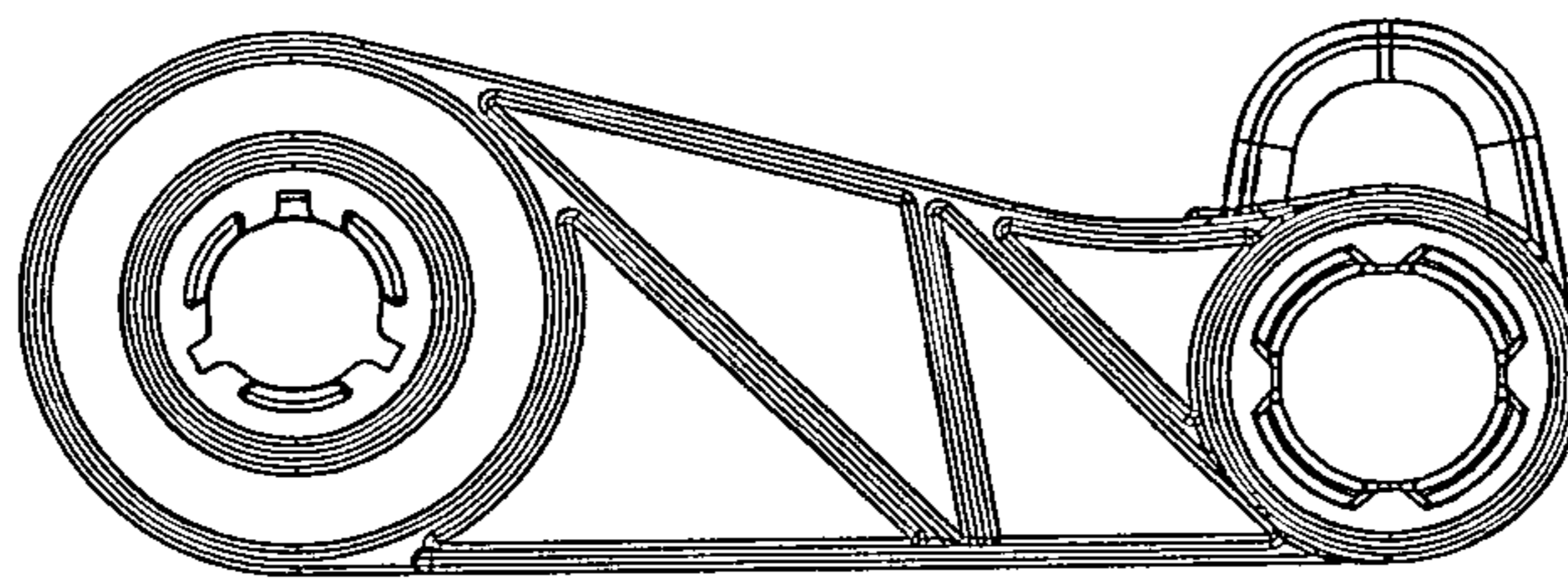


FIG. 11

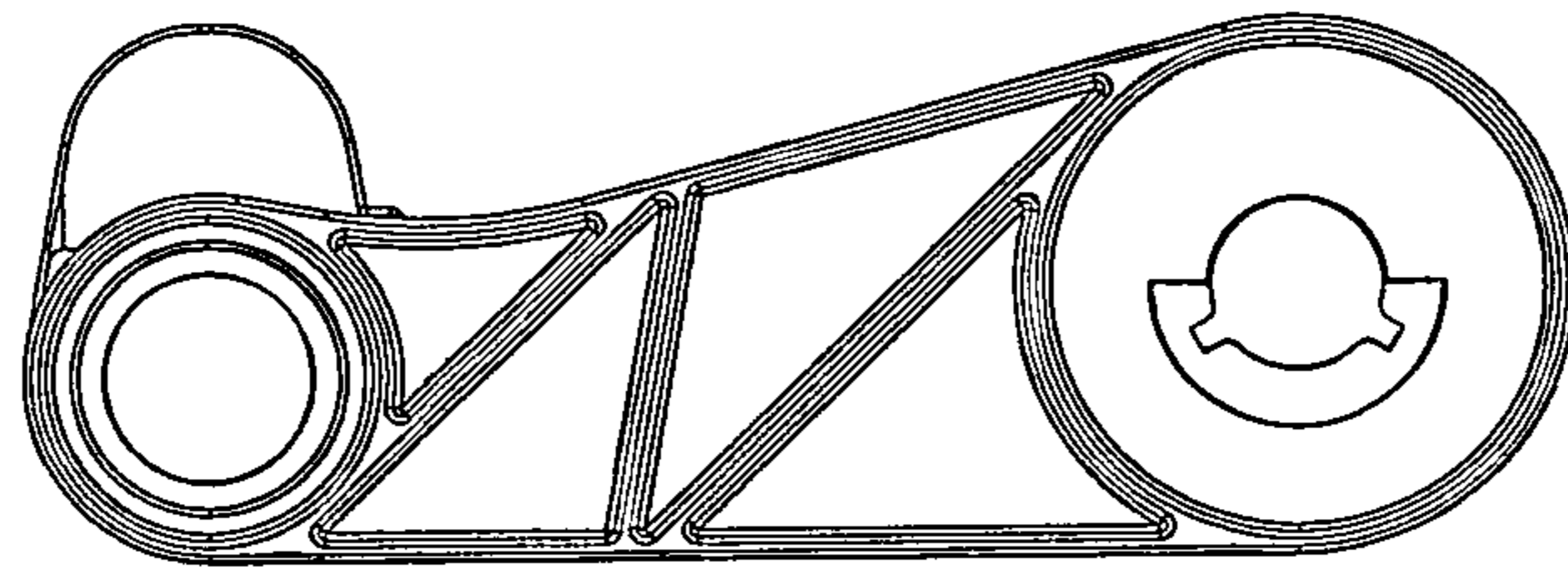


FIG. 12

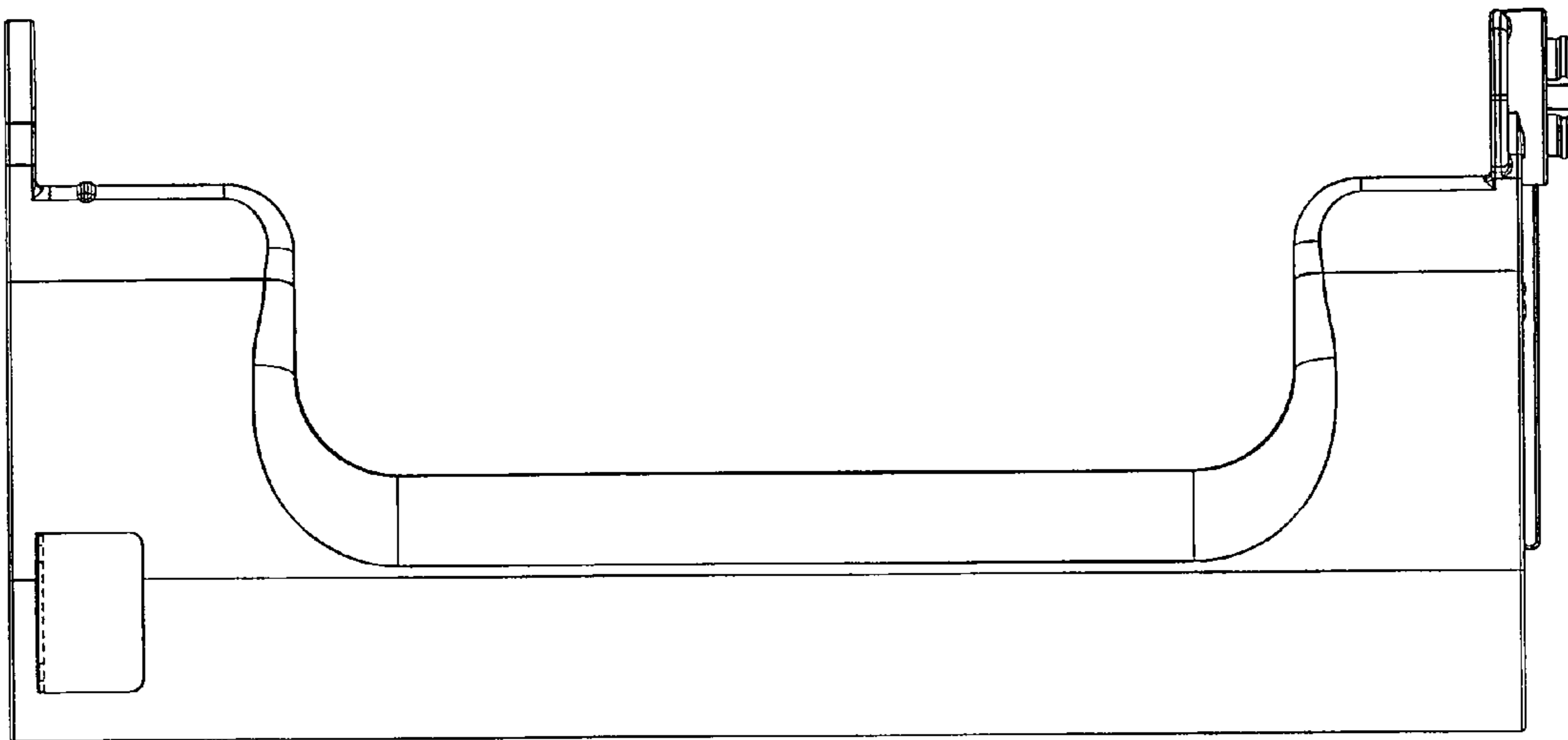


FIG. 13

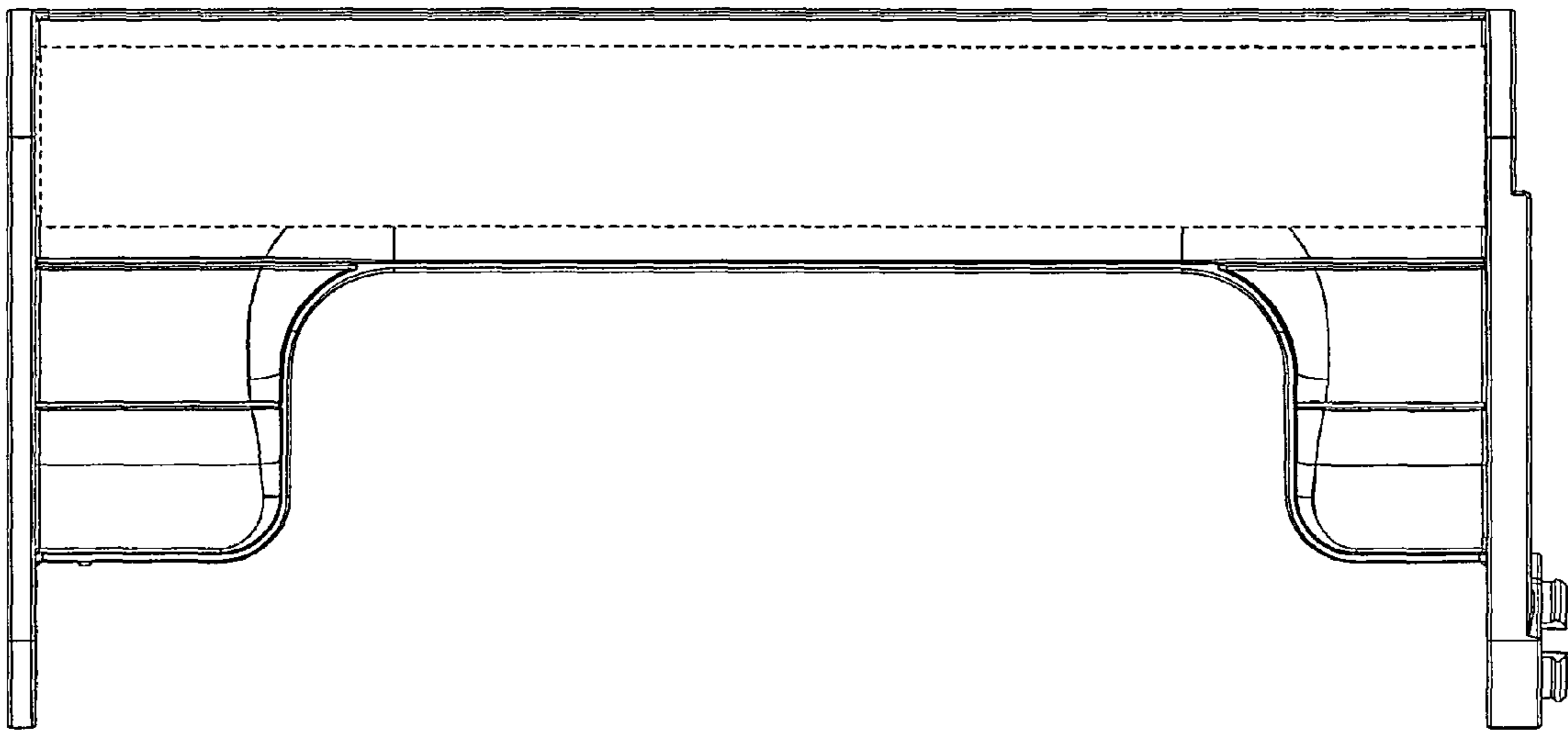


FIG. 14