



US00D739663S

(12) **United States Design Patent**
Yuglich

(10) **Patent No.:** **US D739,663 S**

(45) **Date of Patent:** **** Sep. 29, 2015**

(54) **ARMLESS STACKABLE CHAIR**

(71) Applicant: **Maximillian Yuglich**, Houston, TX (US)

(72) Inventor: **Maximillian Yuglich**, Houston, TX (US)

(**) Term: **14 Years**

(21) Appl. No.: **29/490,415**

(22) Filed: **May 9, 2014**

(51) **LOC (10) Cl.** **06-01**

(52) **U.S. Cl.**
USPC **D6/380**

(58) **Field of Classification Search**
USPC D6/334-336, 371-373, 374, 376, 379,
D6/380, 716, 716.1, 716.2, 716.3, 716.4
CPC A47C 3/04; A47C 4/02; A47C 4/03;
A47C 5/04; A47C 7/16
See application file for complete search history.

(56) **References Cited**

U.S. PATENT DOCUMENTS

D102,915 S *	1/1937	Powell	D6/380
D118,138 S *	12/1939	Powell	D6/380
D123,353 S *	10/1940	Salomon	D6/380
D186,658 S *	11/1959	Spilman	D6/374
D194,742 S *	3/1963	Deaton	D6/380

D296,501 S *	7/1988	Lundquist	D6/380
D673,788 S *	1/2013	Schoenhals et al.	D6/380

* cited by examiner

Primary Examiner — Mimoso De

(74) *Attorney, Agent, or Firm* — Bushman Werner, P.C.

(57) **CLAIM**

The ornamental design for an armless stackable chair, as shown and described.

DESCRIPTION

FIG. 1 is a front perspective view of an armless stackable chair.

FIG. 2 is a front view of the embodiment shown in FIG. 1.

FIG. 3 is a side view of the embodiment shown in FIG. 1. The opposite side is a mirror image and thus is not provided a separate figure.

FIG. 4 is a rear view of the embodiment shown in FIG. 1.

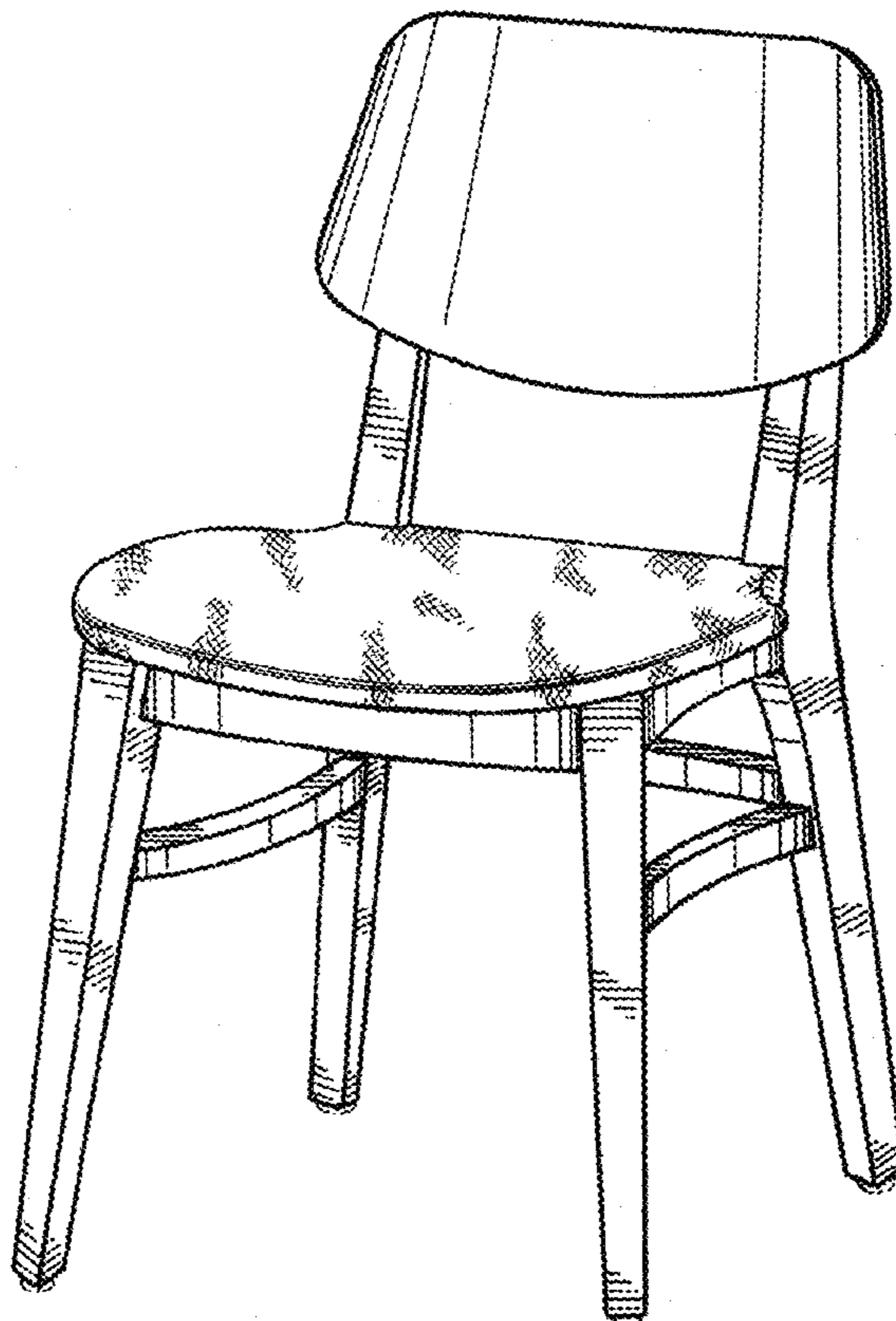
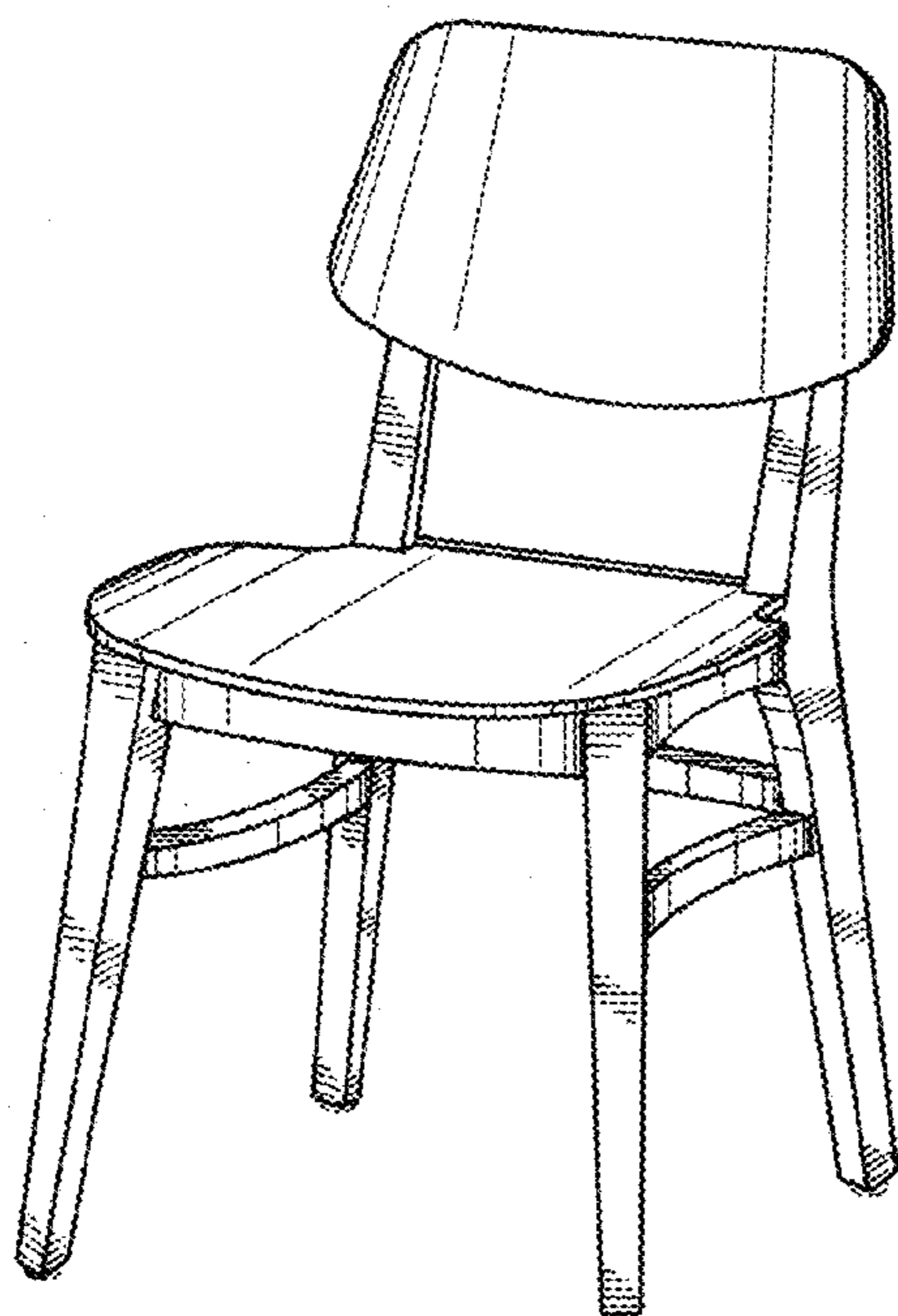
FIG. 5 is a top view of the embodiment shown in FIG. 1.

FIG. 6 is a bottom view of the embodiment shown in FIG. 1; and,

FIG. 7 is a front perspective view of another embodiment of the armless stackable chair having a padded seat.

The broken lines shown in the drawing are for the purpose of illustrating environmental structure and form no part of the claimed design.

1 Claim, 4 Drawing Sheets



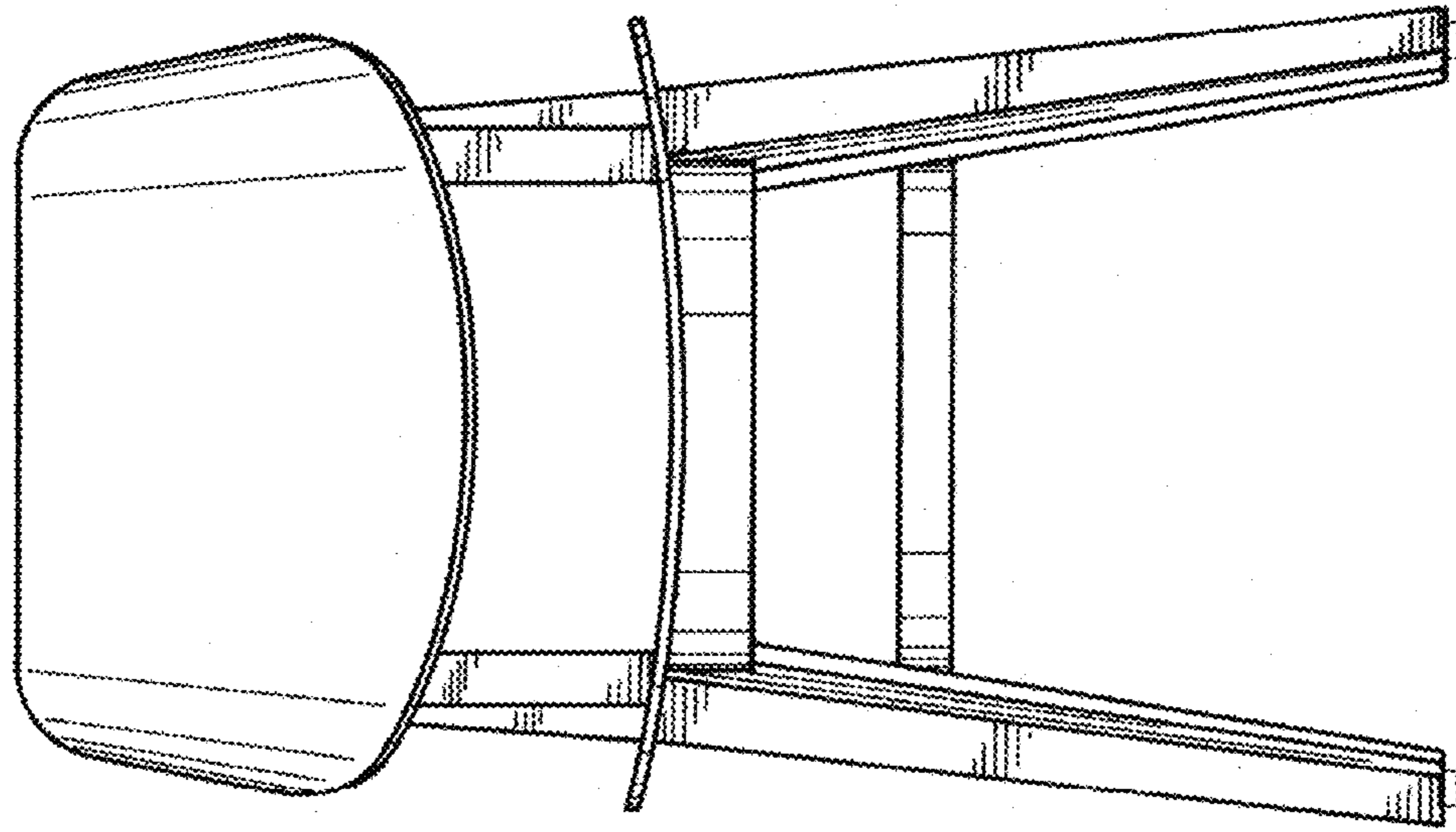


FIG. 2

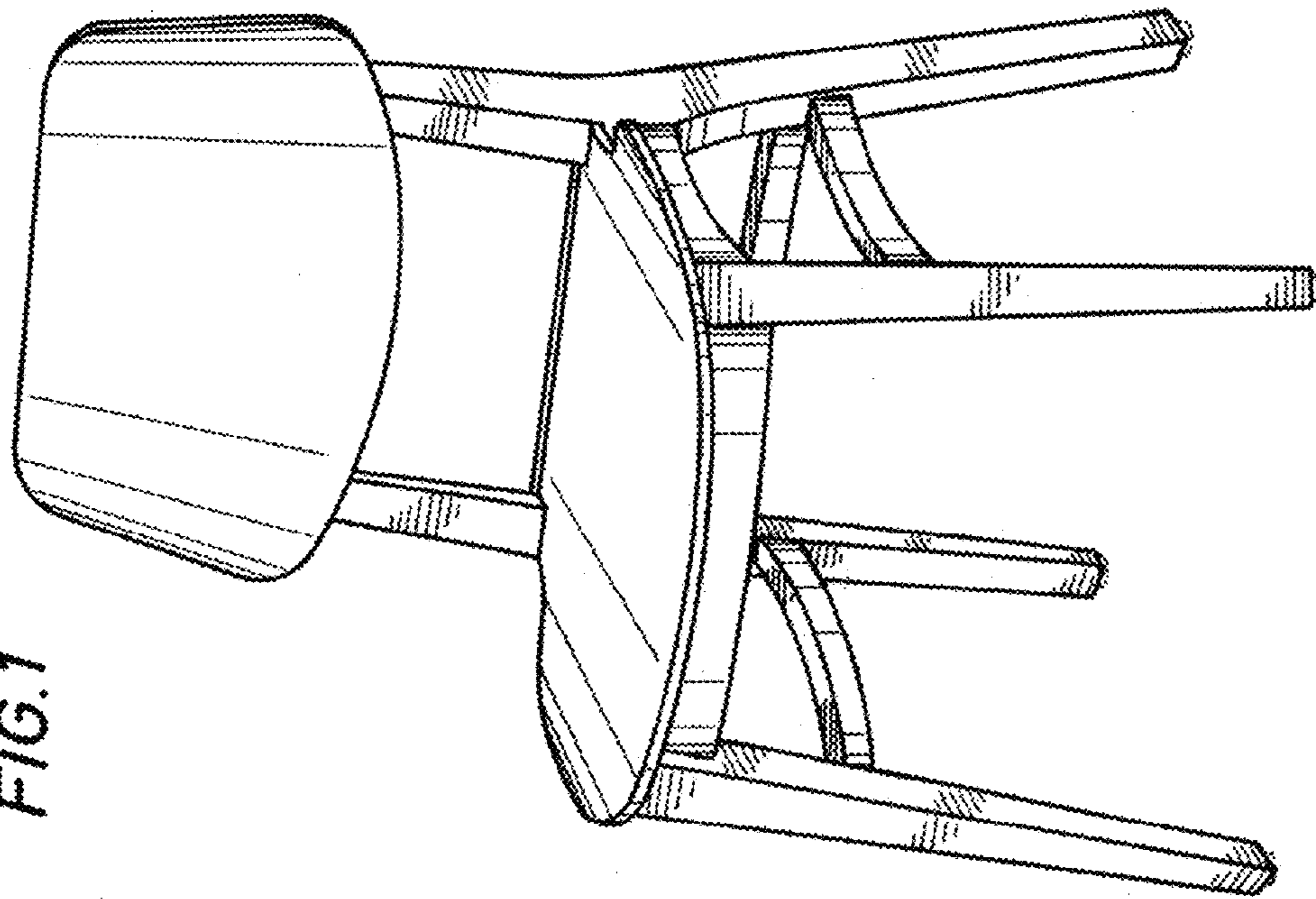


FIG. 1

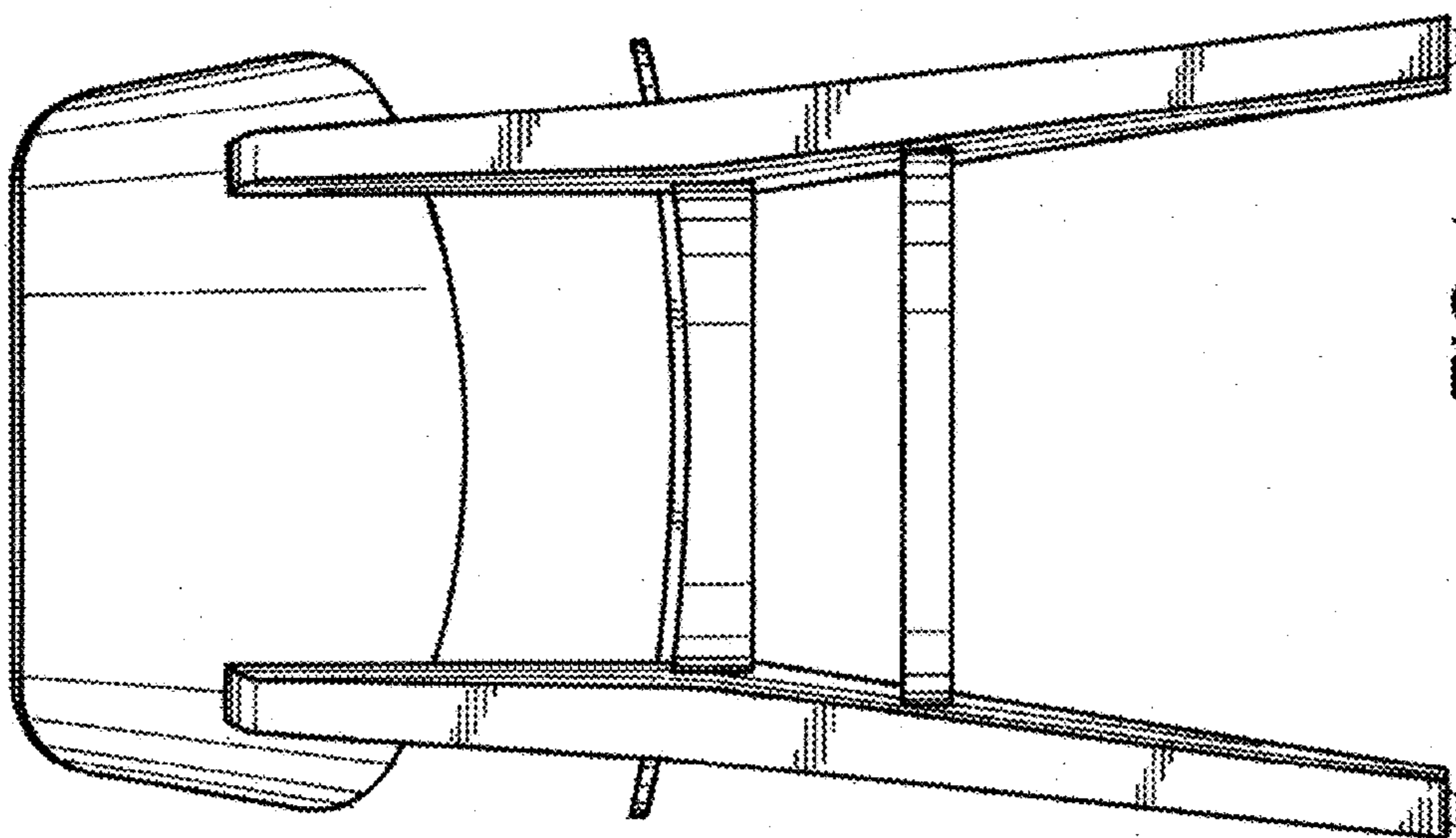


FIG. 4

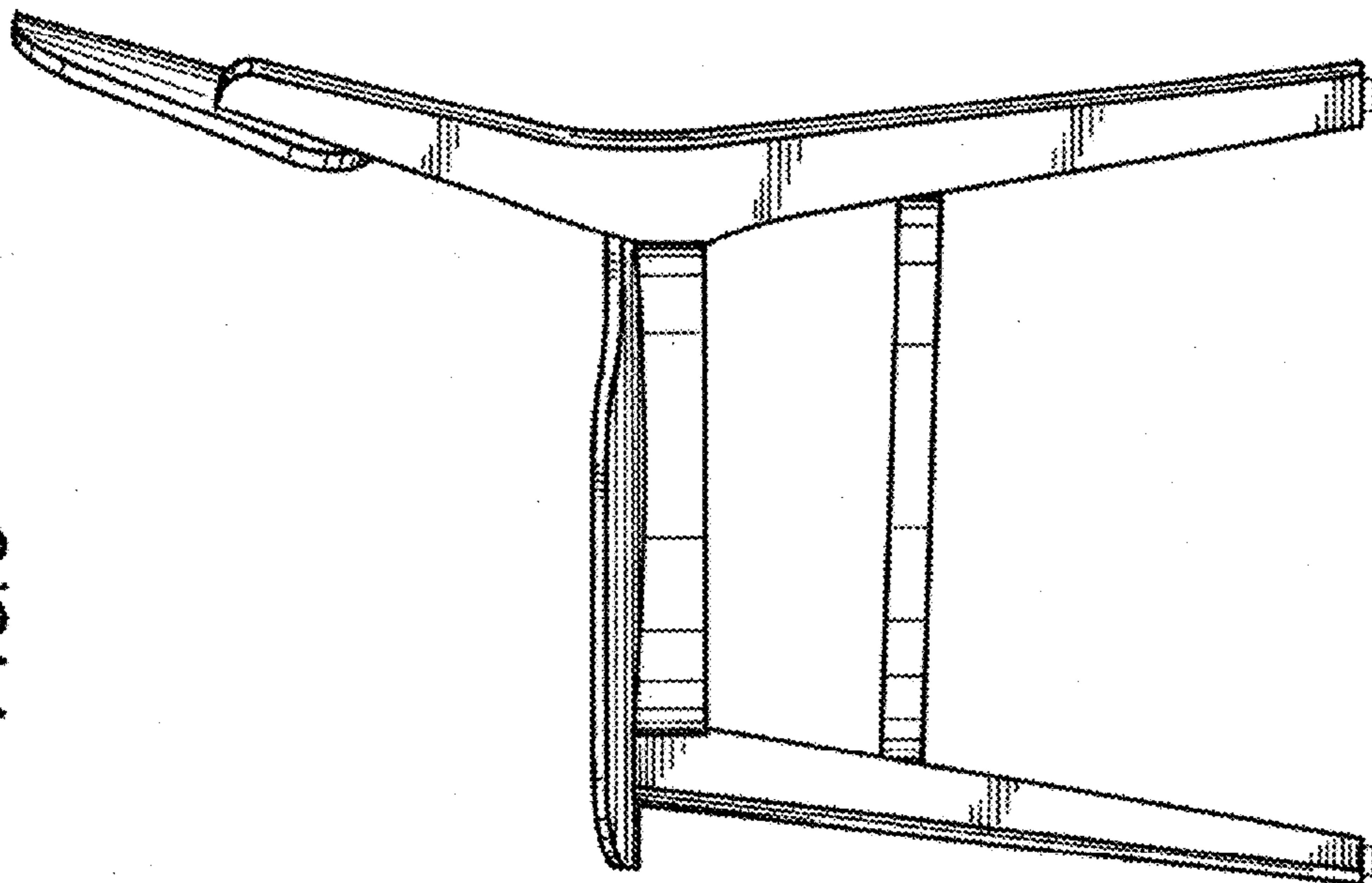


FIG. 3

FIG. 6

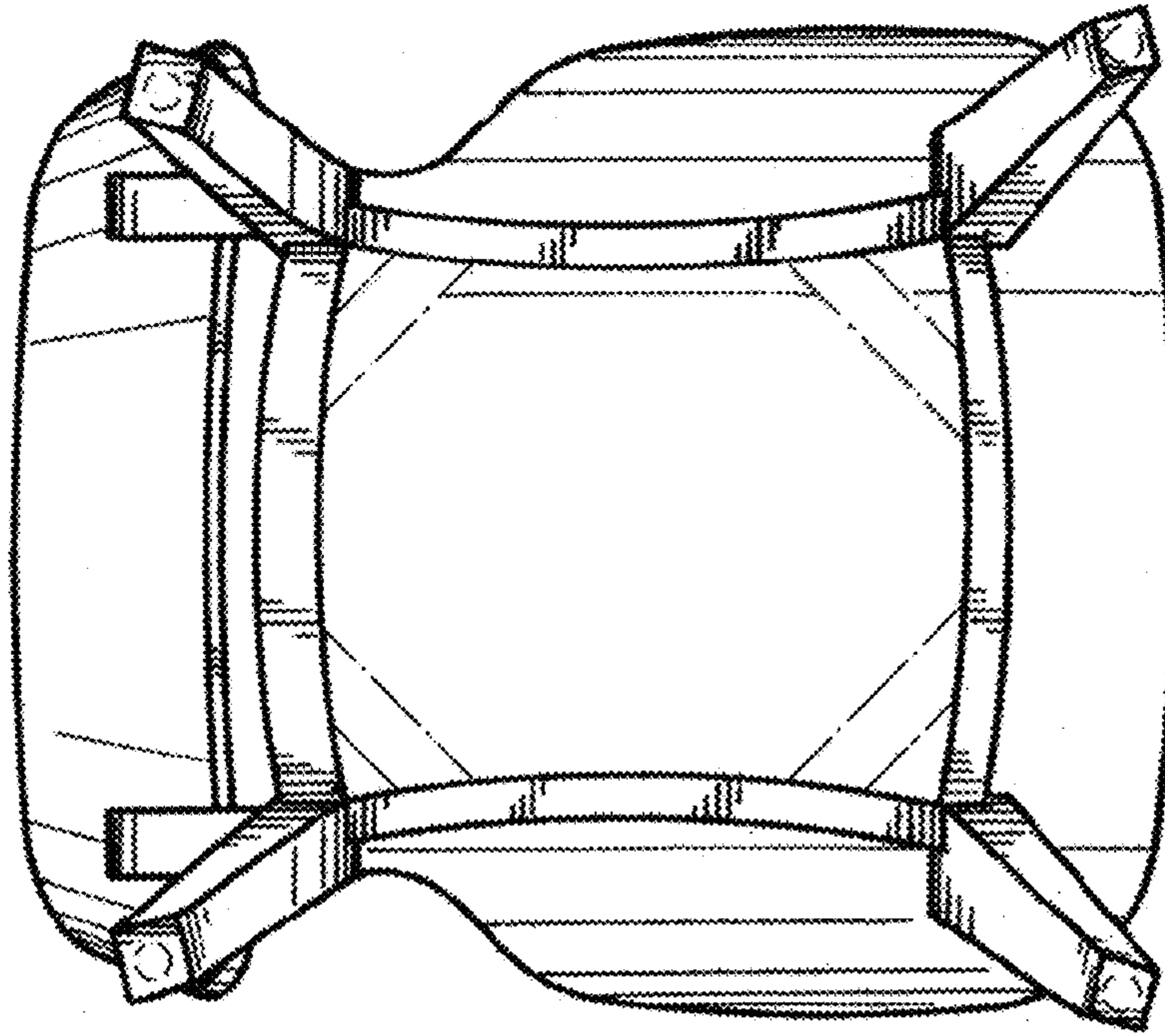


FIG. 5

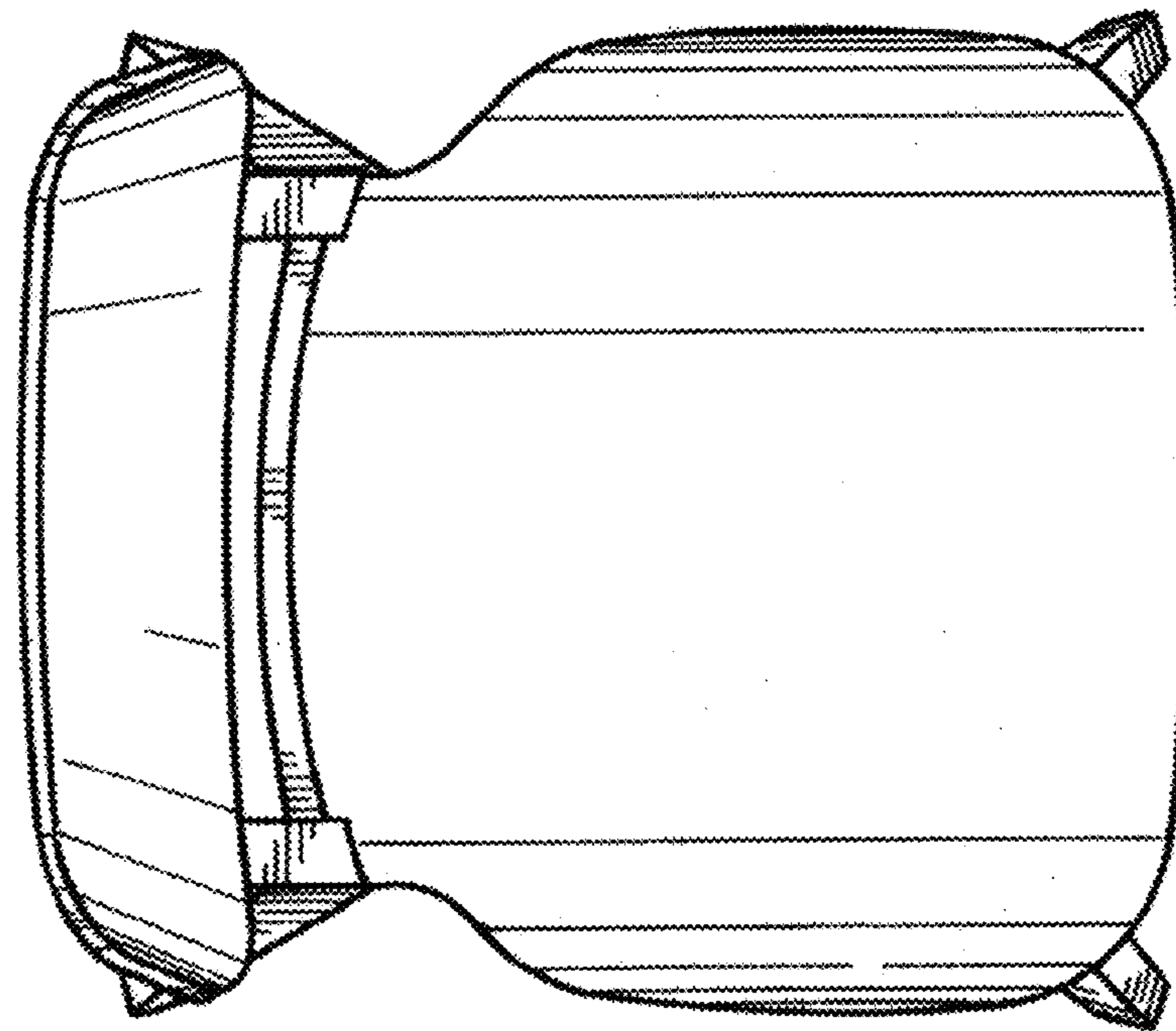


FIG. 7

